

**IMPORTANT:  
THESE INSTRUCTIONS ARE TO REMAIN  
WITH THE APPLIANCE INSTRUCTIONS**

These instructions are supplementary to the Installation and Operating Instructions supplied with the fireplace and should be kept together. Refer to the Installation and Operating Instructions for proper gas supply, safety requirements and operating instructions.



**TOWN & COUNTRY  
FIREPLACES™**

**TC36 See-Thru  
BLACK DIAMOND  
BURNER KIT**



**PART#  
TC36.NGST03  
FOR TC36  
SEE-THRU**



## Package Contents

<b>BURNER TUBE</b>	<b>PART#</b>	<b>TC36.50118398</b>
<b>SHUTTER CONTROL ROD</b>	<b>PART#</b>	<b>5002.9692</b>
<b>BURNER TRAY ASSEMBLY</b>	<b>PART#</b>	<b>TC36.9690</b>
<b>2 BURNER SHIELD, FRONT/REAR</b>	<b>PART#</b>	<b>TC36.9693 PBK</b>
<b>LEFT BURNER SHIELD</b>	<b>PART#</b>	<b>TC36.9693.2 PBK</b>
<b>RIGHT BURNER SHIELD</b>	<b>PART#</b>	<b>TC36.9693.5 PBK</b>
<b>AIR CHANNEL INSERT</b>	<b>PART#</b>	<b>TC36.9697 PBK</b>
<b>INLET COVER</b>	<b>PART#</b>	<b>TC36.9699 PBK</b>
<b>PILOT SHIELD</b>	<b>PART#</b>	<b>TC36.9626.PBK</b>
<b>MANIFOLD ASSEMBLY</b>	<b>PART#</b>	<b>TC36.9692</b>
<b>2 MEDIA SPACER, FRONT/REAR</b>	<b>PART#</b>	<b>9695</b>
<b>MEDIA SPACER, CENTER</b>	<b>PART#</b>	<b>9694</b>
<b>TUMBLED GLASS MEDIA</b>	<b>PART#</b>	<b>5012.01</b>
<b>HARDWARE PACKAGE</b>	<b>PART#</b>	<b>TC36.STHK03</b>

Fig. #1



# Black Diamond Burner Installation

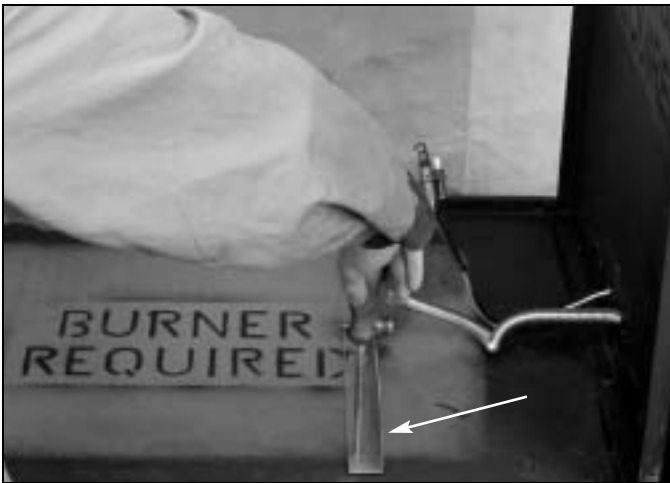


Fig. #2

1. Attach the manifold assembly to the floor of the firebox using two screws. (Fig. #2)



Fig. #3

2. Connect the flex gas line to the manifold ensuring a gas-tight connection (Fig. #3).



Fig. #4



Fig. #5

3. If porcelain panels are not installed, install the left panel (Fig. #4) securing with panel retainer clip located on the upper heat shield, and position the air channel insert into the air channel. (Fig. #5)

**NOTE: The right side of the unit is the side with the control box inlet.**



*Fig. #6*

4. Attach the inlet cover using the top two screws of the control inlet (Fig. #6) and install the right porcelain panel.



*Fig. #7*

5. Position the right burner shield over the inlet cover ensuring that the pilot assembly is protruding through the half-hole between the inlet cover and the right burner shield (Fig. #7).



*Fig. #8*

6. While supporting the right burner shield, install the rear burner shield resting the edge of the right burner shield onto the support tab of the rear burner shield (Fig. #8).



Fig. #9

7. Install the front burner shield positioning the support tab under the right burner shield.



Fig. #10

8. Install the left burner shield. This will be a snug fit requiring some alignment (Fig. #10).

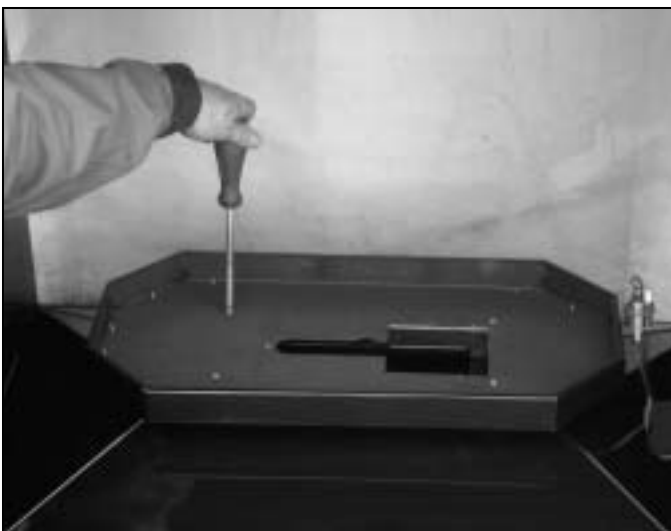


Fig. #11

9. Position the burner tray assembly on top of the assembled shields and attach it using four screws (Fig. #11).

**NOTE: Ensure that the square access hole of the tray is positioned to the right (control inlet side). (Fig. #11)**



Fig. #12

10. If the fireplace is equipped with a millivolt pilot, attach it to the burner tray before attaching pilot bracket.

If the fireplace is equipped with an electronic pilot attach it to the pilot bracket (Fig. #12) and then attach the bracket to the burner tray (Fig. #13).



Fig. #13



Fig. #14

11. Position a front/rear media spacer at the rear of the burner tray (Fig. #14).

12. Position the other at the front of the tray (Fig. #15).



Fig. #15

13. Loosen the screw on the burner tube shutter enough to allow smooth movement from open to closed positions (visible in Fig. #17).



Fig. #16



Fig. #17



Fig. #18

14. Install the burner tube by tipping the inlet into the slot in the bottom of the burner tray (Fig. #16).

15. Hold the burner tube in a position so that the shutter control rod can be inserted into the shutter tab (Fig. #17) after passing through the rod hole in the top right corner of the front burner shield.

16. Set the burner tube into place ensuring that it slips over the orifice on the manifold assembly.

17. Attach the burner tube to the tray with two screws (Fig. #18).

**NOTE: Shutter must be fully open for propane or fully closed for natural gas (push down on the shutter control rod to open, pull up to close). Some adjustment may be required (see page 9).**



Fig. #19

18. Position the center media spacer on the inside of the burner tube (Fig. #19).



Fig. #20

19. Apply just enough tumbled glass to lightly cover the burner tube (Fig. #20).



Fig. #21

20. Spread glass evenly over top of tube and media spacers (Fig. #21).

**NOTE: Too much tumbled glass over the burner will cause sooting.**



# Burner Flame Adjustment

The air shutter on the burner inlet tube controls the primary combustion air to the gas burner. It is set closed at the factory for natural gas fuel. Some adjustment may be necessary to obtain desired flame and to eliminate carbon deposits. Evaluate flame appearance after the fireplace has reached operating temperature. See Fig. # 22 for proper flame pattern.

Open primary air if the window glass and firebox have carbon accumulation and/or the flames are long, dark and stringy. The shutter may also be opened to lessen the flame height.

## **CAUTION:**

**Burner area may be hot!  
Turn off the fireplace and allow the unit to cool before proceeding.**

**To Adjust:** (See Fig. # 23)

Push the shutter control rod to increase the amount of primary air to create a more blue flame.

Pull the shutter to decrease the amount of primary air to create a more yellow flame.

## **NOTE:**

**Proper air shutter setting is required.**

**The flame should be just orange and "lazy". It should NEVER be set to create sooting on internal parts and window glass.**



Fig. #22

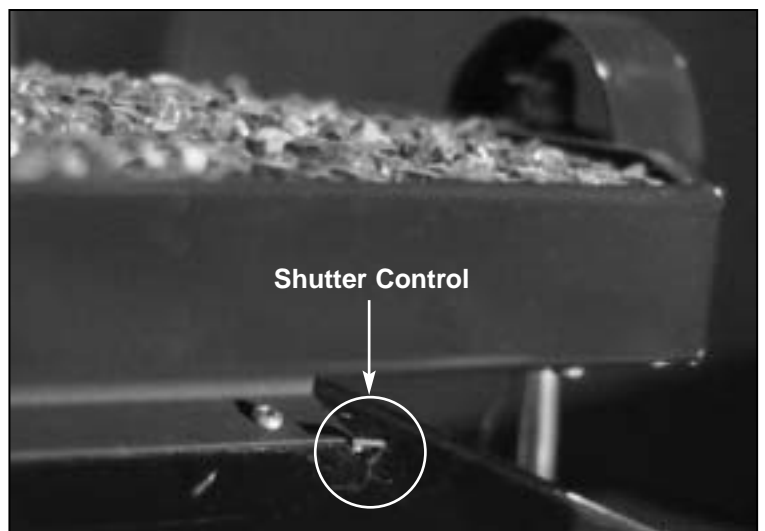


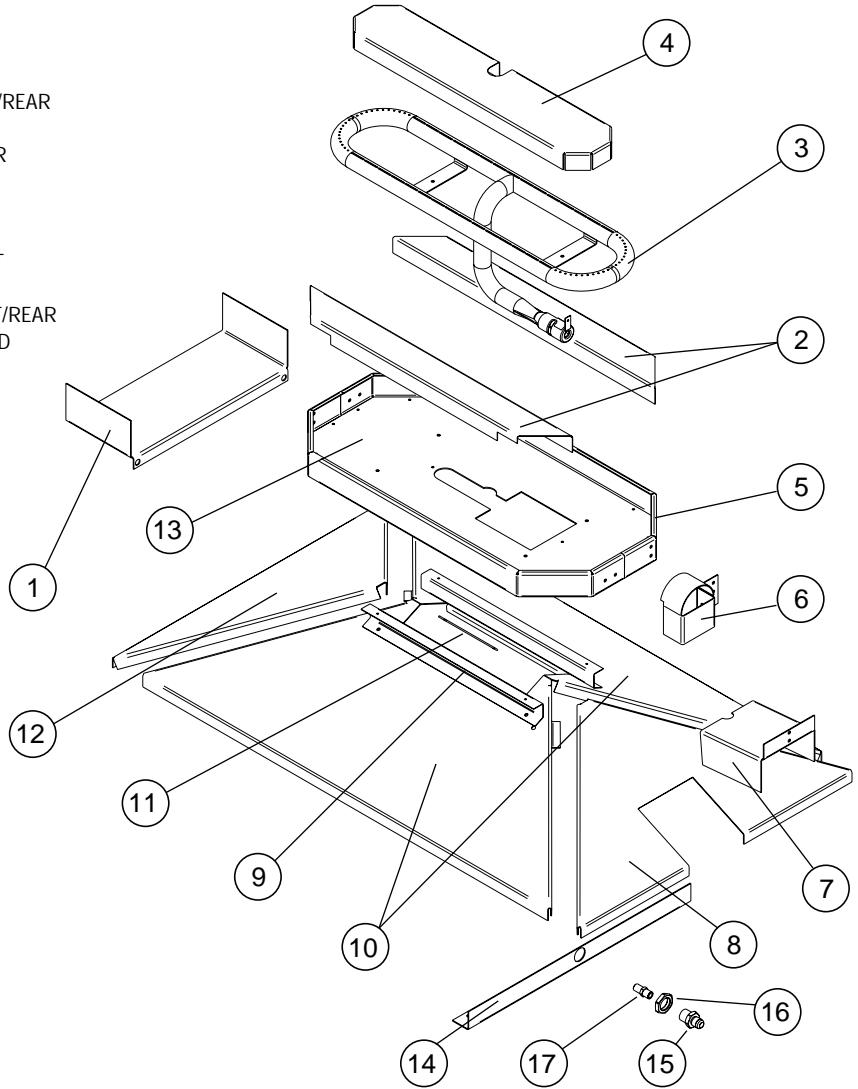
Fig. #23

# Replacement Parts

**NOTE:**

FIREPLACE & VALVE REPLACEMENT  
PARTS ARE LOCATED IN THE  
APPLIANCE INSTRUCTIONS

ITEM	PART NUMBER	DESCRIPTION
1	9697	AIR CHANNEL INSERT
2	9695	MEDIA SPACER, FRONT/REAR
3	TC36.50118398	BURNER TUBE
4	9694	MEDIA SPACER, CENTER
5	9690.5	TRAY TRIM
6	9626.002	PILOT SHIELD
7	9699	INLET COVER
8	9693.5	BURNER SHIELD, RIGHT
9	9691	TRAY SUPPORT
10	9693	BURNER SHIELD FRONT/REAR
11	5002.9692	SHUTTER CONTROL ROD
12	9693.2	BURNER SHIELD, LEFT
13	9690	BURNER TRAY
	TC36.STHK03	HARDWARE PACKAGE
14	TC36.9692	MANIFOLD ASSEMBLY
15	9692	MANIFOLD BRACKET
16	5019.21	FITTING, ORIFICE IN
17	5021.01	FITTING, LOCKNUT
	5022.12	ORIFICE, NG
	5021.31	ORIFICE, LP







TOWN & COUNTRY  
FIREPLACES™

TOWN & COUNTRY FIREPLACES  
**[www.townandcountryfireplaces.net](http://www.townandcountryfireplaces.net)**

**Toll Free: 1-888-223-0088**

**2975 Allenby Road, Duncan, BC Canada V9L 6V8**