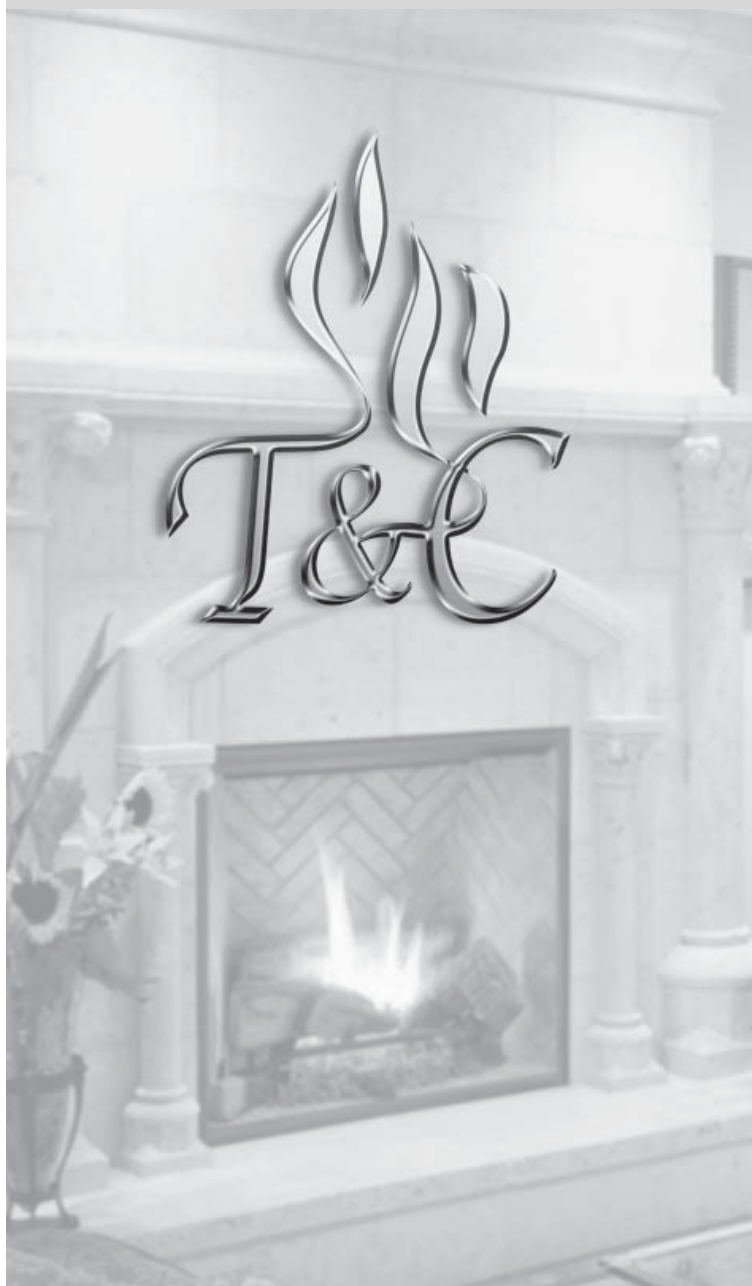


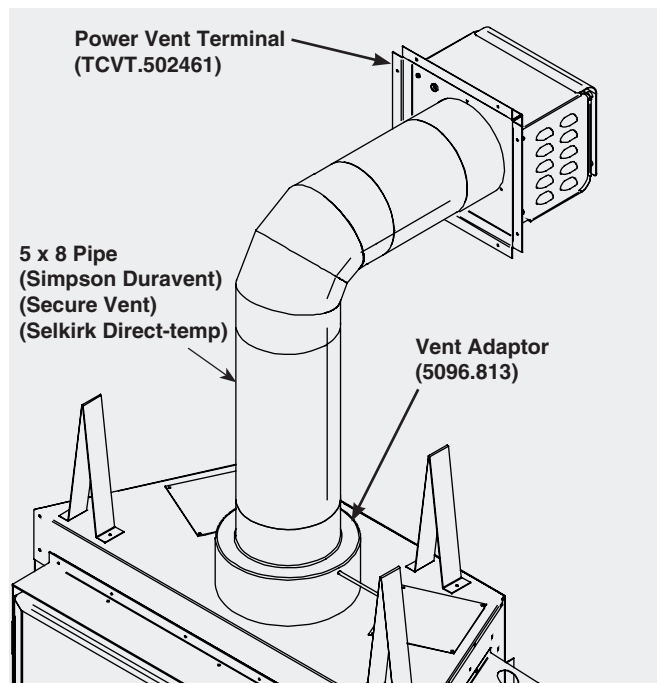
**IMPORTANT:
THESE INSTRUCTIONS ARE TO REMAIN
WITH THE APPLIANCE INSTRUCTIONS**

These instructions are supplementary to the Installation and Operating Instructions supplied with the fireplace and should be kept together. Refer to the Installation and Operating Instructions for proper gas supply, safety requirements and operating instructions



**TOWN & COUNTRY
FIREPLACES™**

OPTIONAL VERTICAL OR HORIZONTAL POWER VENT KIT



**TCVT.PVB
INSTALLATION AND
OPERATING
INSTRUCTIONS**



Power Vent Installation

Locate the fireplace as per the main instructions supplied.

Make the following modifications to add the components used with the Power Vent Kits. This Kit can only be used in conjunction with the "B" & "C" series versions of Town and Country fireplaces. This installation must conform with local codes or, in the absence of local codes, with the Natural Fuel Gas Code, ANSI Z223.1/NFPA 54, or the Natural Gas and Propane Installation Code, CSA B149.1.

Contents of Power Vent Kit

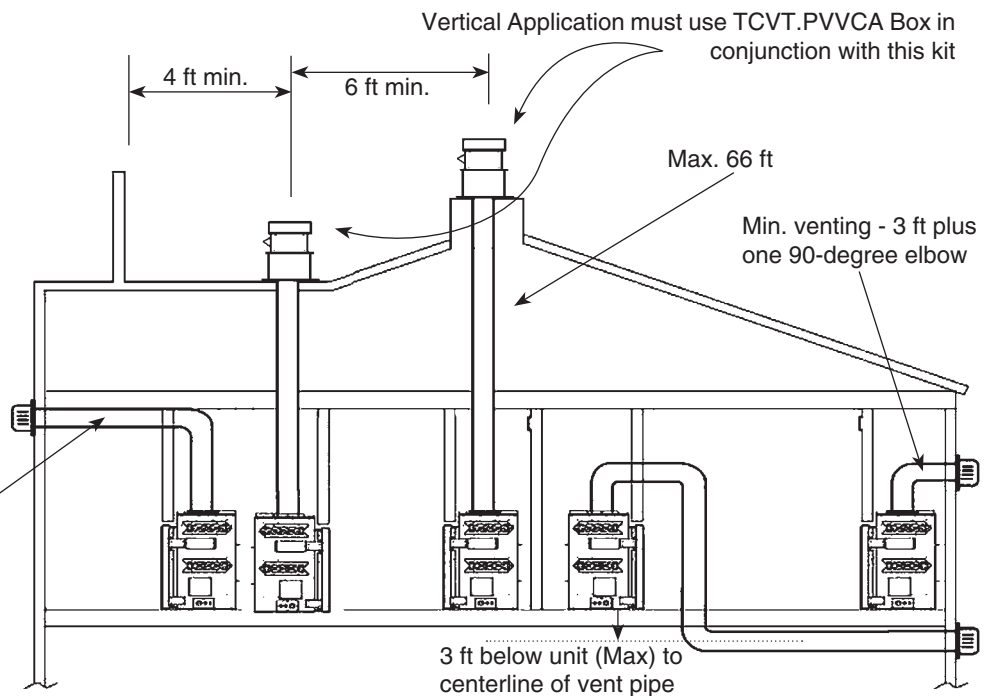
| ITEM | PART No. | DESCRIPTION | QTY. | ITEM | PART No. | DESCRIPTION | QTY. |
|------|--------------|------------------------------------|------|------|--------------|---------------------------|------|
| 1 | TCVT.502461 | Power Vent Terminal | 1 | 7 | 5004.085 | Tubeing, TYSC-516316-100 | 1 |
| 2 | 5096.813 | Venting Adaptor | 1 | 8 | 5093.01 | Hose Clamp | 2 |
| 3 | TCVT.5062515 | Blower Wiring (pre wired to motor) | 1 | 9 | TCVT.507156C | Relay Wiring Harness, PVC | 1 |
| 4 | TCVT.506271C | Pressure Switch Wiring | 1 | 10 | TCVT.507156 | On / Off switch wiring | 1 |
| 5 | 9072.7 | Pressure Switch Clip | 1 | 11 | TCVT.506271 | Pressure switch wiring | 1 |
| 6 | 5027.1 | Pressure Switch | 1 | 12 | 5071.5 | On / Off switch | 1 |

Fig. #1

VENTING CONFIGURATIONS

Maximum vent length is 110 ft plus six 90-degree elbows or combination of other elbows equaling 90-degrees, with a maximum 66 foot vertical rise. Minimum vent length is 3 ft plus one 90-degree elbow. The vent can be installed with any combination of rise and run between the figures including up to 3 ft below the unit. Ensure vent pipe is

Maximum venting - 110 ft plus six 90-degree elbows.



MINIMUM CLEARANCES TO COMBUSTIBLE

Vertical vent pipe:
1.5 in. (38mm)

Horizontal vent pipe:

Top 1.5 in. (38mm)
Sides 1.5 in. (38mm)
Bottom 1.5 in. (38mm)

All other clearances are as per the fireplace installation instructions.

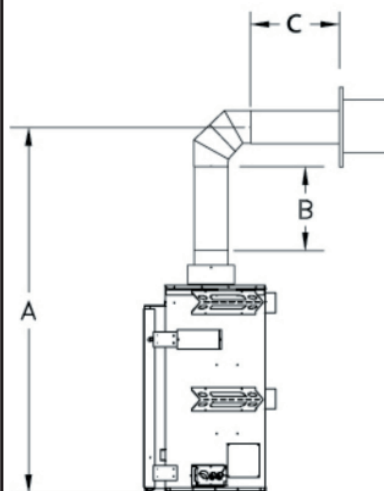


Fig. #1a

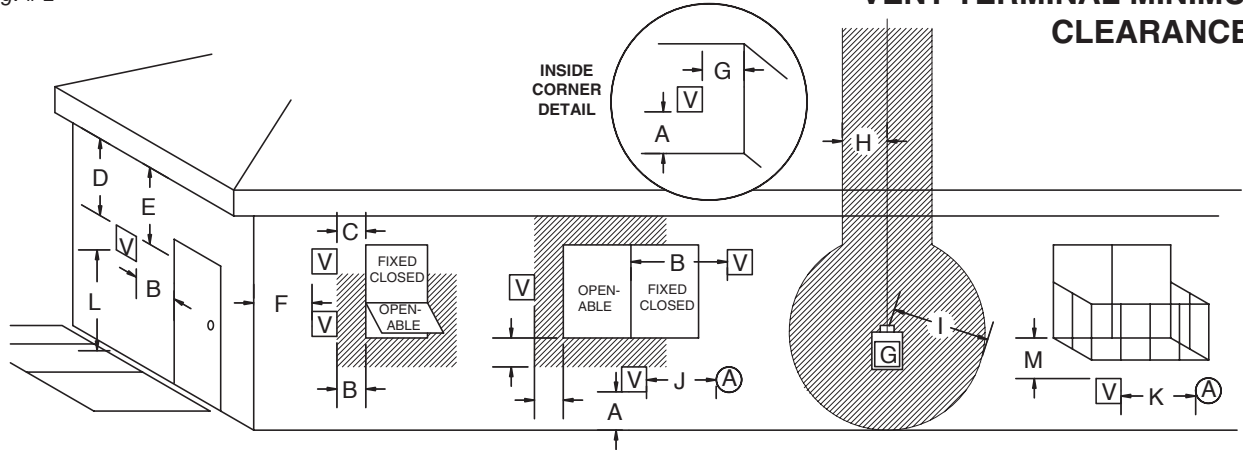
WALL TERMINATION VENTING CHART

| A | | | | B | C | |
|--------------|------|-------|--------|-------------|------------------|------------------|
| Minimum Rise | | | | Pipe Length | Max. Pipe Length | Min. Pipe Length |
| TC30 | TC36 | TC 42 | TC36ST | | | |
| 47" | 51" | 57" | 56" | 0" | 110 feet | 3 feet |
| 59" | 63" | 69" | 68" | 12" | 109 feet | 2 feet |
| 71" | 75" | 81" | 80" | 21" | 108 feet | 1 foot |

*TC36 and TC36AR have the same dimensions

Fig. # 2

VENT TERMINAL MINIMUM CLEARANCES



Ⓥ VENT TERMINAL

Ⓐ AIR SUPPLY INLET

▨ AREA WHERE TERMINAL IS NOT PERMITTED

Ⓜ GAS METER

- A= clearances above grade, veranda, porch, deck, or balcony [* 12 inches (30 cm) minimum]
- B= clearance to window or door that may be opened [* 12 inches (30 cm) minimum]
- C= clearance to permanently closed window [minimum 12 inches (30 cm) recommended to prevent condensation on window]
- D= vertical clearance to ventilated soffit located above the terminal within a horizontal distance of 2 feet (60 cm) from the edge of the terminal [12 inches (30 cm) minimum]
- E= clearance to unventilated soffit [12 inches (30 cm) minimum]
- F= clearance to outside corner [6 inches (15 cm) minimum]
- G= clearance to inside corner [6 inches (15 cm) minimum]

- H= * not to be installed above a meter/regulator assembly within 3 feet (90 cm) horizontally from the center-line of the regulator
- I= clearance to service regulator vent outlet [* 6 feet (1.8 m) minimum]
- J= clearance to nonmechanical air supply inlet to building or the combustion air inlet to any other appliance [* 12 inches (30 cm) minimum]
- K= clearance to a mechanical air supply inlet [* 6 feet (1.8 m) minimum]
- L= ^ clearance above paved side-walk or a paved driveway located on public property [* 7 feet (2.1 m) minimum]
- M= clearance under veranda, porch, deck, or balcony [12 inches (30 cm) minimum**]

^ a vent shall not terminate directly above a side-walk or paved driveway which is located between two single family dwellings and serves both dwellings*

** only permitted if veranda, porch, deck, or balcony is fully open on a minimum of 2 sides beneath the floor*

* as specified in CGA B149 Installation Codes, Note: local Codes or Regulation may require different clearances

* for U.S.A. Installations follow the current National Fuel Gas Code, ANSI Z223.1

Horizontal (Side wall) Venting

This kit uses either Simpson Duravent GS direct vent pipe, Secure Vent direct vent pipe or Selkirk Direct-temp vent pipe with a 5" inner pipe and an 8" outer pipe. For part numbers see the table of venting components on page 8 of this manual.

1. Locate the power vent termination following the clearance to combustible table, venting configuration diagram (Fig. #1 & 1a), and terminal location diagram (Fig. #2).

2. Cut and frame an 11" x 11" opening. The centre of the square hole should line up with the centre line of the horizontal pipe.

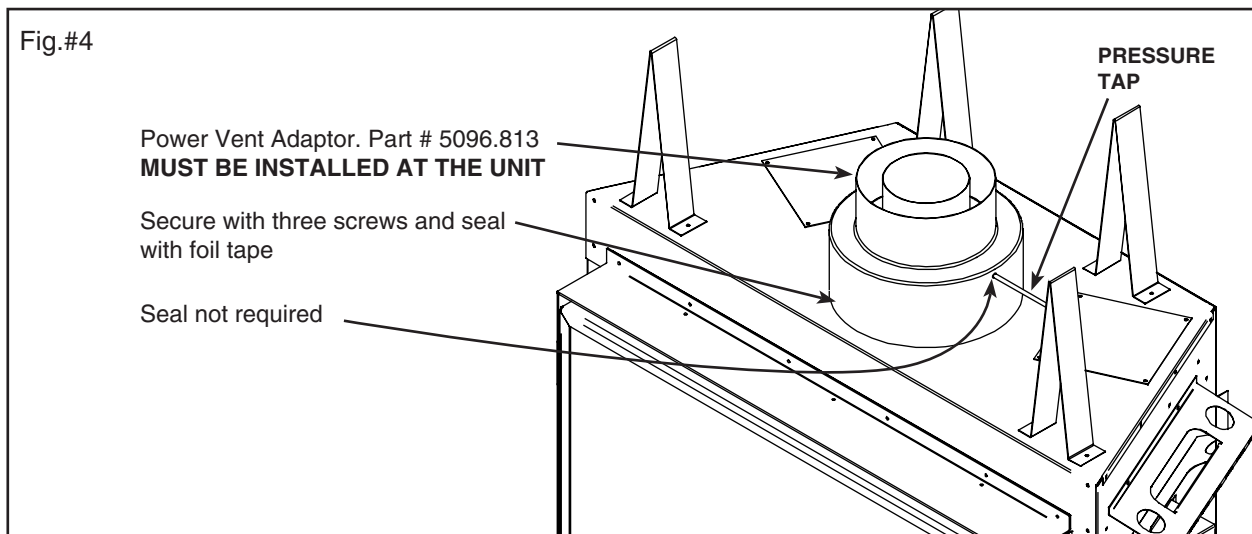
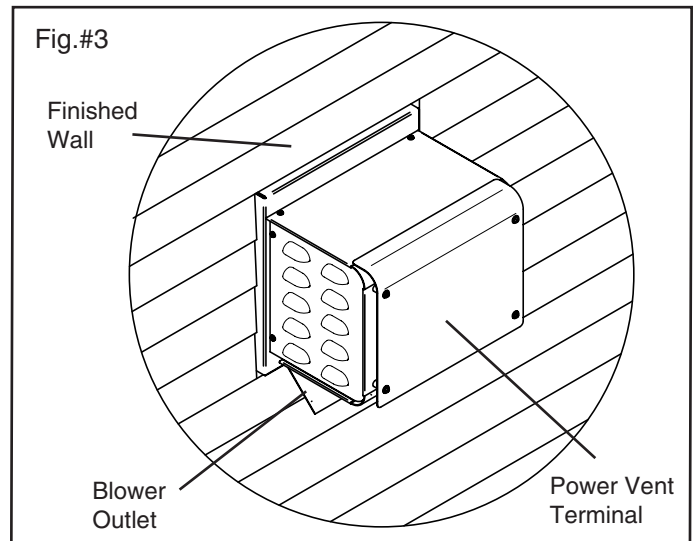
3. Install the Simpson Duravent (or equivalent) Wall thimble, part number 1247 (not supplied with kit) in the opening to retain any insulation in the wall and maintain proper clearances. If the wall being penetrated is constructed of noncombustible material only (i.e.. Masonry block or concrete) the wall thimble is not required and a hole with zero clearance is acceptable. (8" hole)

4. Attach the terminal to the outside wall. Ensure that the terminal is the right way up and that only the outer flanges that are used to secure the terminal to the building are covered by the exterior wall or siding. (Fig.#3) **Note: No other part of the terminal can be recessed into the exterior wall or siding.**

5. Attach the vent adaptor directly to the appliance with three screws and seal outer pipe with aluminium tape provided. **Note: The inner pipe does not need to be sealed.** (Fig. #4)

6. Connect the high temperature silicone tube to the vacuum pressure tap on the adaptor, secure with the hose clamp provided and route the tube through any hole back to control box. (Fig. #4) Tube may touch unit and be trimmed if required. **Note: Ensure that there are no blockages in this tube, as this will cause the control to malfunction.**

7. Run the required Simpson Duravent GS / Secure Vent / Selkirk Direct-temp pipe from the adaptor to the terminal assembly. Assemble as per the vent pipe manufacturer's instructions.



Vertical (Through Roof) Venting

This kit uses either Simpson Duravent GS direct vent pipe, Secure Vent direct vent pipe or Selkirk Direct-temp vent pipe with a 5" inner pipe and an 8" outer pipe. For part numbers see the table of venting components on page 8 of this manual.

Vertical installations must use the optional TCVT.PVVCA vertical adaptor box in conjunction with this kit. The vertical adaptor box can only be installed on a flat surface. Sloped surfaces require the construction of a chase which provides the minimum interior, square opening of 11" x 11" for the venting and wiring to pass through. Flat roofs may require a chase depending on local codes and roof construction. (If in doubt check with local inspector)
The terminal must be located in accordance with the clearances outlined in Fig. #1 and 2.

Installation:

All part numbers in the following section are shown in Fig. #5.

1. Place the flashing (Part A) onto the chase and seal using silicone.
2. Put a bead of silicone on the underside of the vertical standoff (Part B) and place it on top of the flashing. Align the eight holes and secure both parts to the chase using eight #8 x 1 1/2" screws provided.
3. Install the drip shield (Part C) onto the top of the vertical standoff using a bead of silicone between the two. Do not screw this part in place.
4. Bring the 14-2 electrical wire (not supplied) up through the holes in both the flashing and the drip shield leaving at least 12" of excess wire above the drip shield.
5. IMPORTANT: Attach an appropriate length(s) of the vent to the power vent terminal, sufficient to pass through the chase.

NOTE: DO NOT CONNECT AN ADJUSTABLE LENGTH VENT PIPE TO THE TERMINAL.

6. Seal the connection of the first length of pipe at the terminal and any other pipe to pipe joint by both screwing and taping the outside joint using high temperature foil tape.
7. Remove the junction box cover. (Part D)
8. Remove and discard the exhaust shield. (Part E)
9. Apply a bead of silicone on the bottom flange of the power vent terminal (TCVT.PVB)
10. Slide the vent through the drip shield and at the same time thread the electrical lead through the hole in the bottom of the terminal.
11. With the power vent terminal resting on the drip shield, align the eight holes in each of the vertical standoff, the drip shield and the power vent terminal and then screw them together using the eight #8 x 1/2" stainless screws provided.

12. Join the 14-2 wire lead to the blower wires using the appropriate connectors and attach the ground wire. Reinstall the junction box cover.

13. Install the vertical rain cap (Part F) over the power vent blower. ALIGN THE EXHAUST OUTLET ON THE POWER VENT TERMINAL WITH THE EXHAUST PORT ON THE VERTICAL RAIN CAP.

14. Secure the vertical rain cap to the power vent blower with the remaining eight #8 x 1/2" stainless screws.

NOTE:

THERE ARE NO PILOT HOES IN THE BASE OF THE POWER VENT TERMINAL. 1/8" DIAMETER PILOT HOLES SHOULD BE DRILLED USING THE HOLES IN THE VERTICAL RAIN CAP AS A GUIDE.

DO NOT SILICONE THE VERTICAL RAIN CAP TO THE POWER VENT TERMINAL AS IT NEEDS TO BE REMOVABLE FOR SERVICING.

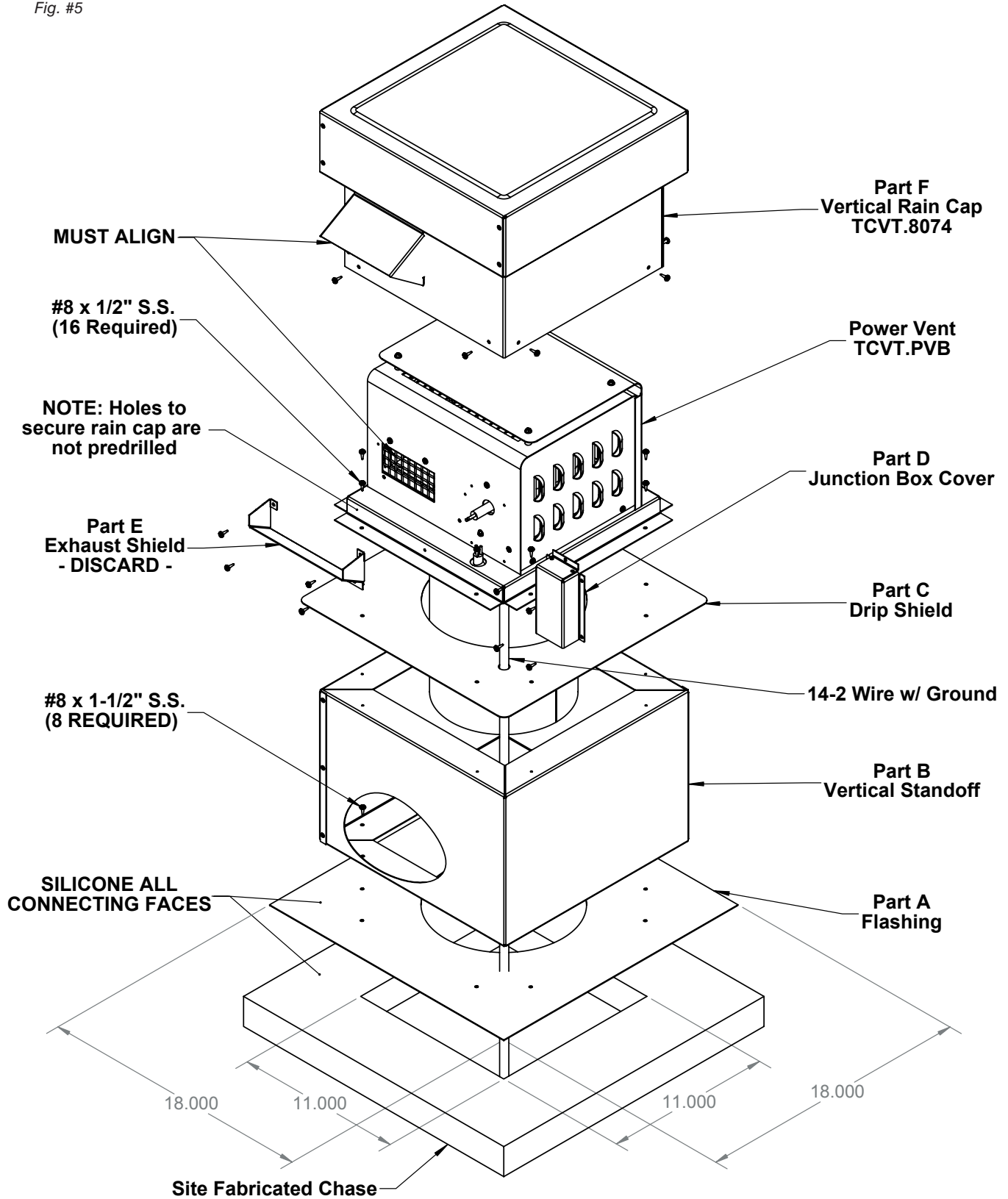
15. Attach the vent adaptor directly to the appliance with three screws and seal outer pipe with aluminium tape provided. **Note: The inner pipe does not need to be sealed.**
(Fig. #4)

16. Connect the high temperature silicone tube to the vacuum pressure tap on the adaptor, secure with the hose clamp provided and route the tube through any hole back to control box. (Fig. #4) Tube may touch unit and be trimmed if required. **Note: Ensure that there are no blockages in this tube, as this will cause the control to malfunction.**

17. Run the required Simpson Duravent GS / Secure Vent / Selkirk Direct-temp pipe from the adaptor to the terminal assembly. Assemble as per the vent pipe manufacturer's instructions.

Vertical (Through Roof) Venting

Fig. #5



Final Installation Height: 21"

Control System Connections

Series "B" Town and Country Fireplaces

- 1) Remove window frame latch tool and set aside.
- 2) Remove 4 screws holding control panel in place and carefully lift off over the control knob.
- 3) Disconnect leads from the burner on/off switch and remove switch from control panel. Install double pole switch supplied with the kit. The new switch has 4 wire connection tabs, two left and two right. One side operates the power vent blower; the other side operates the burner control system.
- 4) Disconnect the battery pack red and black wires from the control system and remove the batteries and battery pack from the control box. **The Power Vent system only works on AC power.**
- 5) Connect one end of the pressure switch wire lead to the pressure switch. Attach the pressure switch clip to the bottom left screw of the valve-mounting bracket and secure the pressure switch in place, see fig #6
- 6) Connect the opposite end of the pressure switch wire, one lead to the burner on/off switch and the other to one of the brown leads (SWI) from the ignition module. Connect the remaining brown lead from the ignition module to the burner switch. Ensure that both leads, the brown lead from the module and the wire lead from the pressure switch are on the same side of the switch, see fig# 7
- 7) Connect the on/off switch wire lead, provided with the kit, to the other side of the burner switch. this side controls the AC current for the power vent blower.
- 8) Remove two screws holding the upper control panel in place and carefully remove panel and set aside. Remove the electrical receptacle cover cover box, held in place with two screws, to access the AC wiring from the blower, see fig #8.
- 9) Route the on/off switch wire through the 1/2" hole in the cover. Earlier units did not have an access hole in the cover and must be replaced with one supplied in the kit.
- 10) Finish all other wiring as necessary and replace receptacle cover box.
- 11) Attach the silicone tube from the pressure tapping on the vent adaptor to the "low" side of the pressure switch and secure using hose clamp provided, see fig# 9.
- 12) Reattach both upper and lower control panels with screws previously removed.

Fig. #6

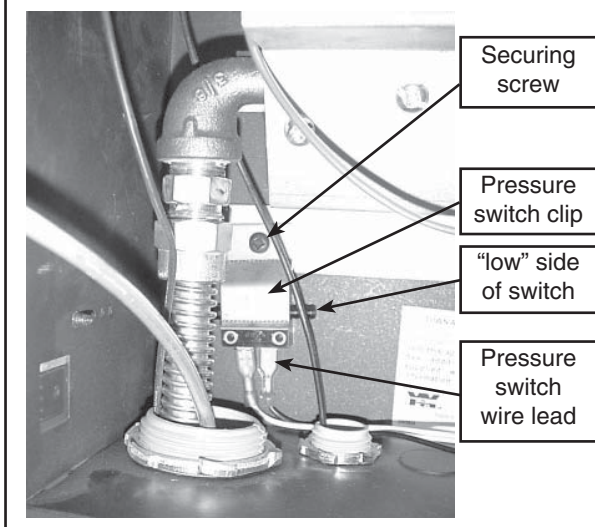
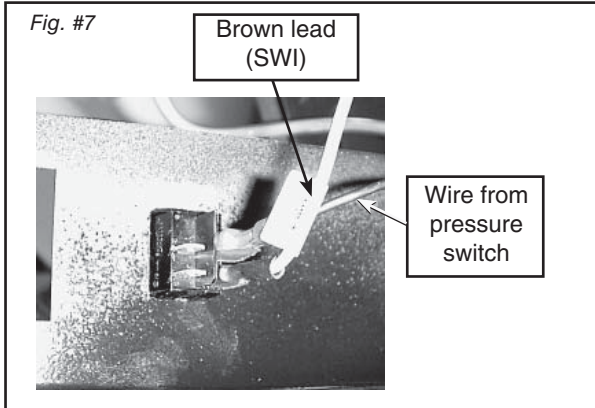


Fig. #7



WALL SWITCH INSTALLATION.

If a wall switch is required the switch must be placed in the AC power supply for the control box. When using the wall switch ensure that the burner switch is in the "on" position. With the switch in this position, operating the wall switch to turn the fan on and off will also turn the fireplace on and off.

WALL THERMOSTAT INSTALLATION

(Canada only)

Installation is the same as for the wall switch. Please note a 110v thermostat must be used.

Fig. #8

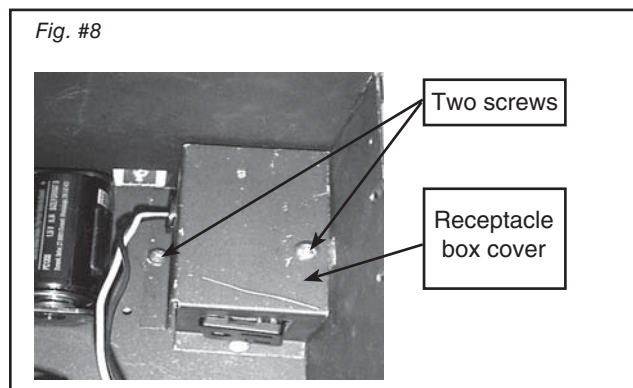
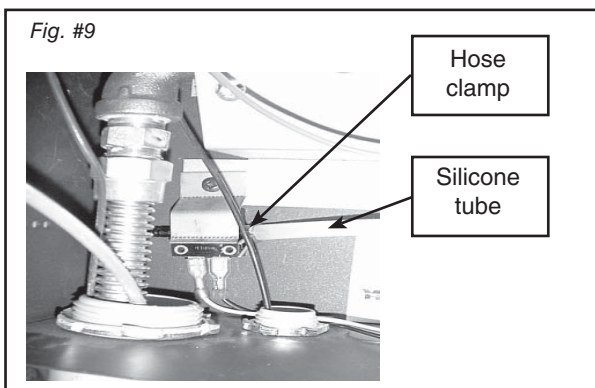


Fig. #9



Series "C" Town and Country Fireplaces

The gas control system is located on the right hand side of the firebox behind an access panel and the decorative brick panel.

- 1) Remove burner grate, logs and brick panels if already installed.
- 2) Remove access panel from right hand side of the firebox. (Fig. #10)
- 3) Locate and disconnect the spade connectors in the black wire loop on the right side of the module and in the orange wire running from the module to the socket on the valve labelled "pilot". (Fig. # 11 and 12)
- 4) Using the wires provided, connect the 120V "hot" supply wire to one of the black wires from the control module. Then connect the "hot" wire from the power vent blower to the other black wire on the control module. (Fig. #13)

Fig. # 10

ACCESS PANEL

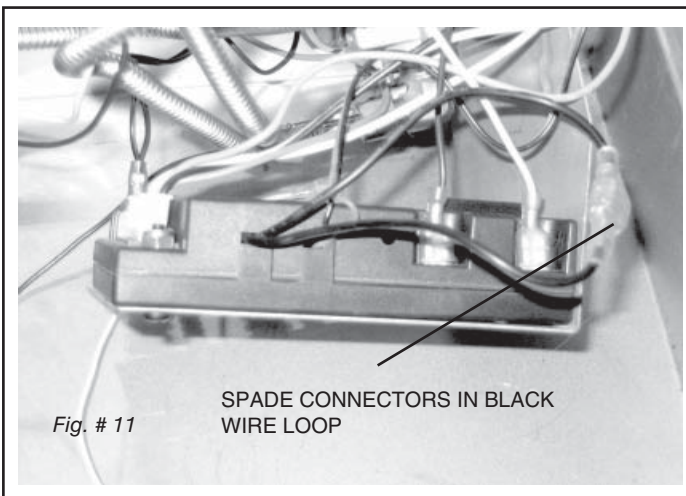
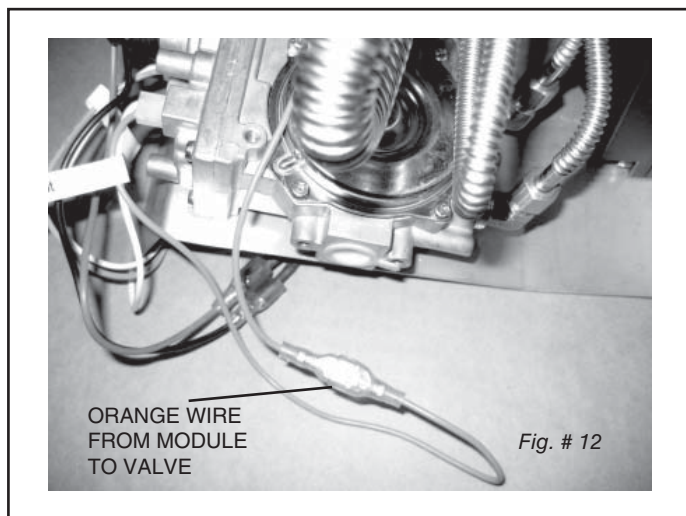


Fig. # 11

SPADE CONNECTORS IN BLACK WIRE LOOP

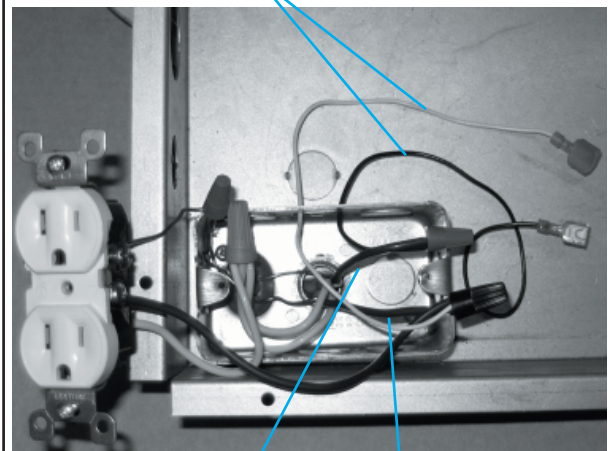


ORANGE WIRE FROM MODULE TO VALVE

Fig. # 12

Fig. # 13

SUPPLIED WIRES TO CONNECT TO BLACK WIRE ON MODULE



HOT WIRE FROM BLOWER

HOT WIRE FROM 120V SUPPLY

- 5) Connect the pressure switch pig tails to the orange wire. (Fig. # 14)
- 6) Secure the pressure switch in the control box using the bracket provided with this kit. (Fig. # 14)
- 7) Attach the silicone tube from the pressure tapping to the low side of the pressure switch and secure using the hose clamp provided. (Fig. #15)
- 8) Continue with installation and reassemble all of the parts previously removed.

Fig. # 14

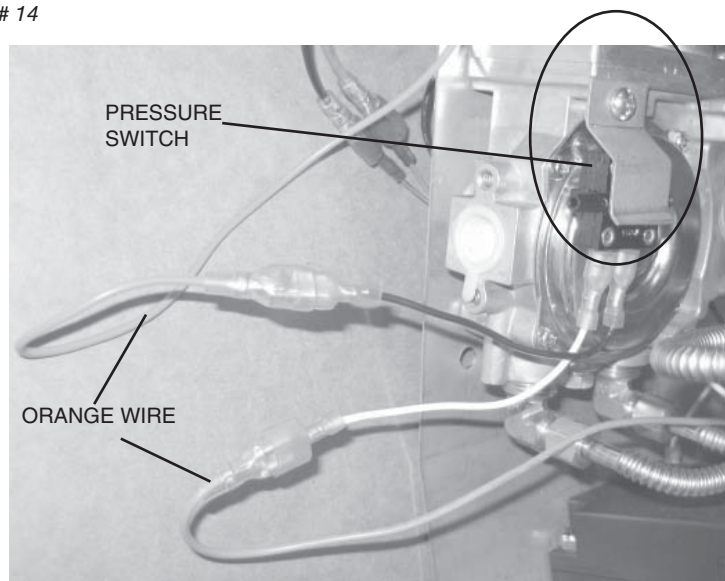
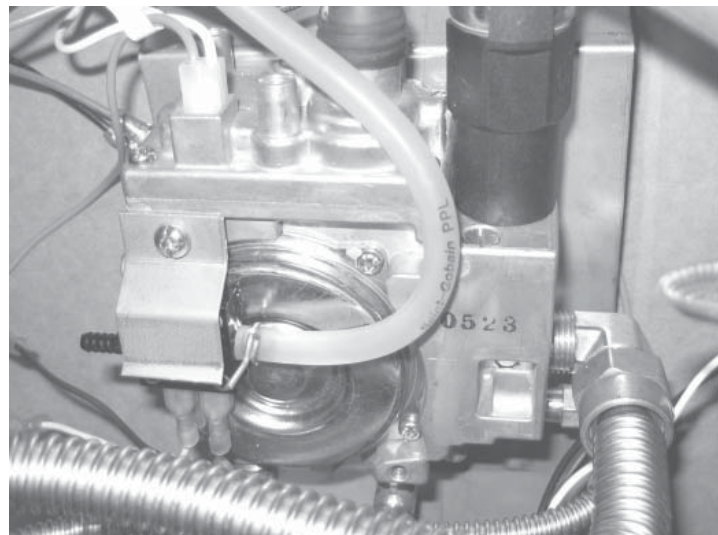
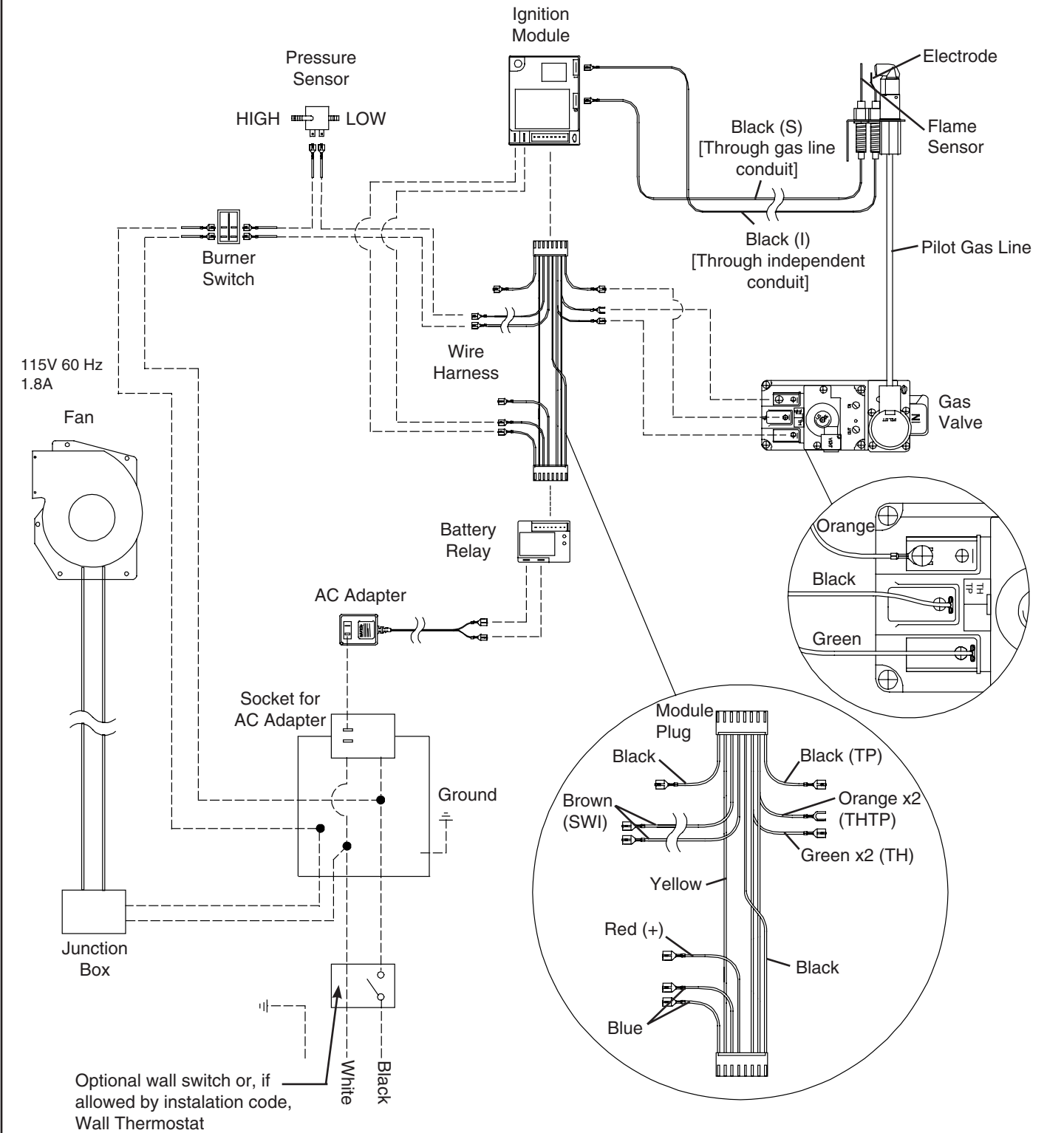


Fig. #15

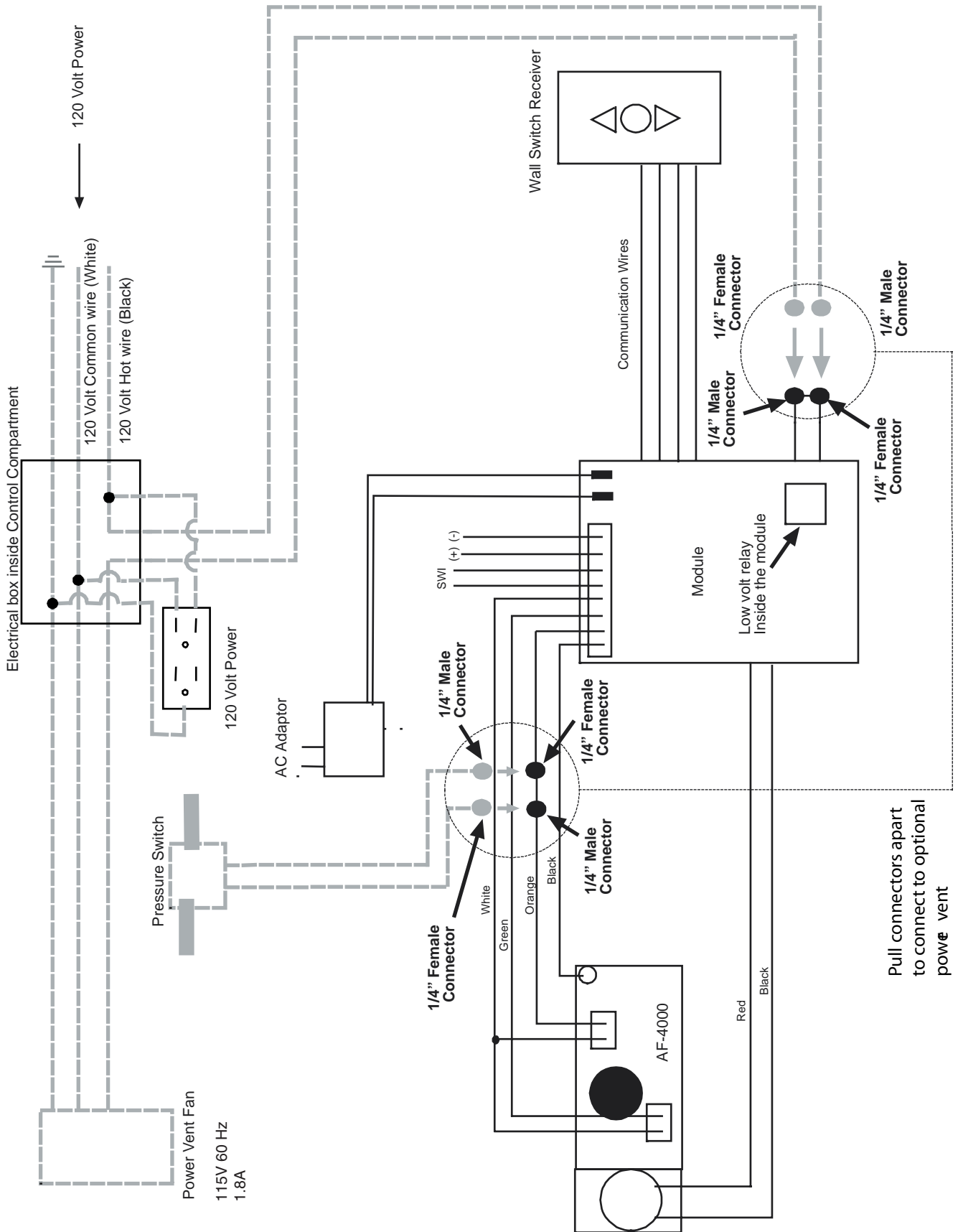


Wiring Diagram Series "B" Fireplaces



Wiring Diagram Series "C" Fireplaces

Optional Power Vent Kit provided by Town & Country



REPLACEMENT PARTS

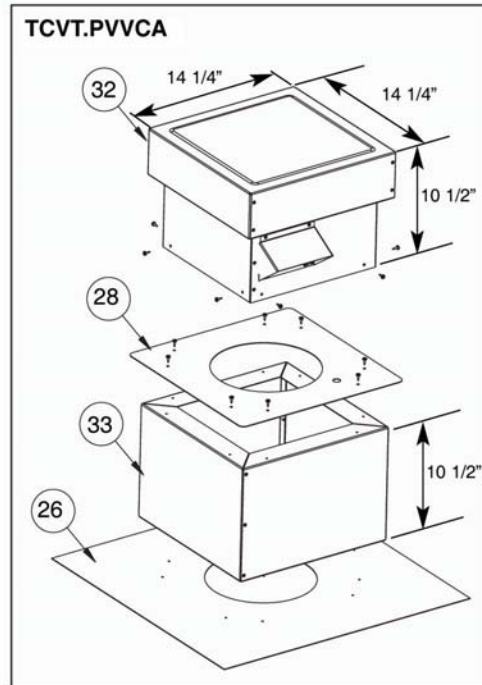
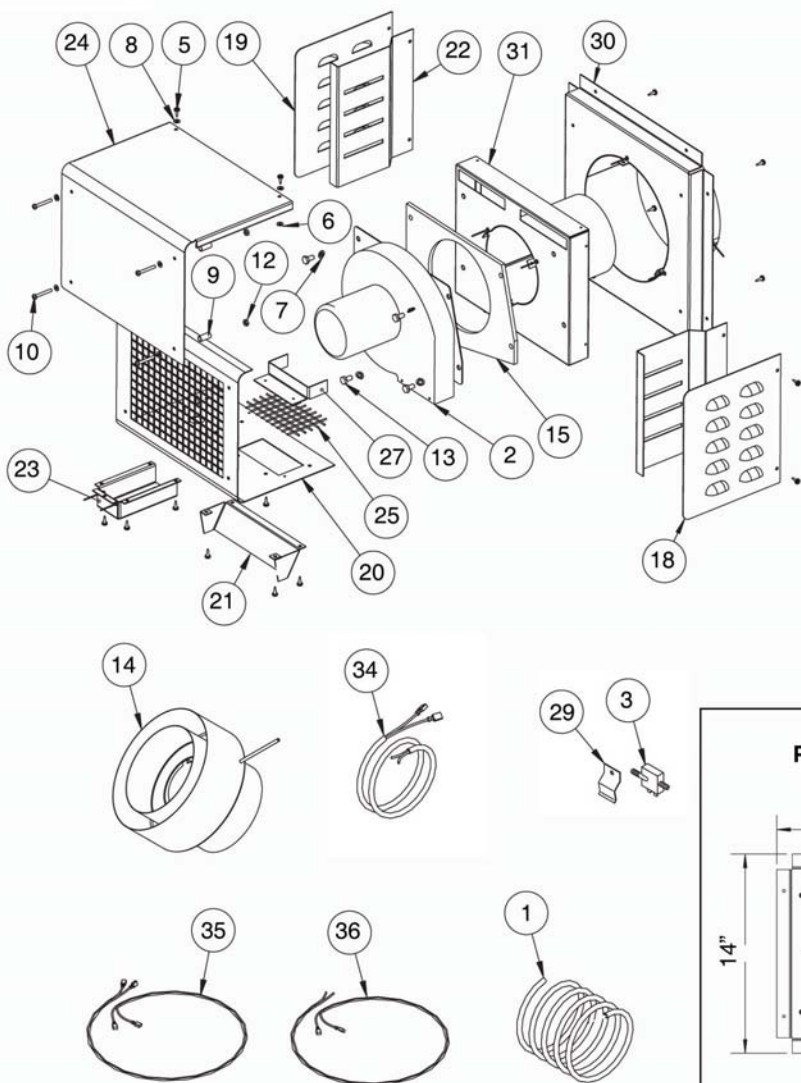
| ITEM | PART NUMBER | DESCRIPTION | QTY | ITEM | PART NUMBER | DESCRIPTION | QTY |
|------|-------------|-------------------------------------------|-----|------|--------------|-------------------------|-----|
| 1 | 5004.085 | TUBE, 5/16" OD, 1/16" THICK | 1 | 20 | | INSIDE COVER | 1 |
| 2 | | BLOWER POWER VENT | 1 | 21 | | EXHAUST SHIELD | 1 |
| 3 | 5027.1 | PRESSURE SWITCH | 1 | 22 | | SECONDARY RAIN SHIELD | 2 |
| *4 | | 3/8" STRAIN RELIEF | 2 | 23 | | JUNCTION BOX | 1 |
| 5 | | #8 x 1/2" PAN HD SKT 18.8 STAINLESS STEEL | 46 | 24 | | TOP COVER | 1 |
| 6 | | ID x .379 OD x .062 THK | 2 | 25 | | EXHAUST SCREEN | 1 |
| 7 | | 1/4 MED LOCKWASHER 18.8 SS | 5 | 26 | | FLASHING | 1 |
| 8 | | STANDARD 18-8 SS, #8 FLAT WASHER | 6 | 27 | | OUTLET AIR CHANNEL | 1 |
| 9 | | SP100 .25 x .75 AK | 4 | 28 | | DRIP SHIELD | 1 |
| 10 | | SCREW, #8-32 x1 1/4 RND HD | 4 | 29 | 9072.7 | PRESSURE SWITCH CLIP | 1 |
| *11 | | #8-32 x5/16 PAN QUADREX | 1 | 30 | | VENT COLLAR | 1 |
| 12 | | HEX NUT, STAINLESS 18-8 PLAIN | 4 | 31 | | VENT EXHAUST ASSEMBLY | 1 |
| 13 | | 1/4-20 x1/2 NC GR 5 HEX C/S PLTD | 5 | 32 | | VERTICAL RAIN CAP, TCVT | 1 |
| 14 | 5096.813 | VENTING ADAPTER | 1 | 33 | | VERTICAL STANDOFF | 1 |
| 15 | | 1/4" LDF PAPER | 1 | 34 | TCVT.5062512 | BLOWER WIRING | 1 |
| 16 | | | | 35 | TCVT.506271C | PRESSURE SWITCH WIRING | 1 |
| *17 | | BUSHING, SHORTY B625 500 | 2 | 36 | TCVT.507156C | RELAY WIRING | 1 |
| 18 | | SIDE COVER, RIGHT | 1 | *37 | TCVT.506271 | PRESSURE SWITCH WIRING | 1 |
| 19 | | SIDE COVER, LEFT | 1 | *38 | TCVT.507156 | ON/ OFF SWITCH WIRING | 1 |

* NOT SHOWN

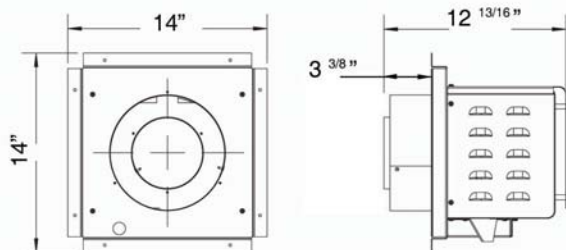
ITEMS NOT SOLD SEPARATELY

ITEM 35 AND 36 ARE USED WITH SERIES "C" FIREPLACES ONLY

ITEMS 37 AND 38 ARE USED ON SERIES "B" FIREPLACES ONLY



POWER VENT TERMINAL DIMENSIONS



VENTING COMPONENTS

SIMPSON DURAVENT COMPONENTS

| Number | Description |
|--------|-------------------------------------------|
| 1208 | 6" Pipe Length |
| 1207 | 9" Pipe Length |
| 1206 | 12" Pipe Length |
| 1204 | 24" Pipe Length |
| 1203 | 36" Pipe Length |
| 1202 | 48" Pipe Length |
| 1211 | 11" to 14-5/8" Pipe, Adjustable |
| 1217 | 4-10" Pipe, Adjustable |
| 1245 | 45° Elbow |
| 1290 | 90° Elbow |
| 1240 | Round Ceiling Support /Wall Thimble Cover |
| 1241 | Cathedral Ceiling Support Box |
| 1242 | Wall Firestop |
| 1247 | Wall Thimble |
| 1263 | Ceiling Firestop |
| 1288 | Wall Strap |

SECURE VENT COMPONENTS

| Number | Description |
|---------|---------------------------------------------|
| SV5L6 | 6" Pipe Length |
| SV5L12 | 12" Pipe Length |
| SV5L24 | 24" Pipe Length |
| SV5L36 | 36" Pipe Length |
| SV5L48 | 48" Pipe Length |
| SV5LA | 6" Pipe, Adjustable |
| SV5LA12 | 12" Pipe, Adjustable |
| SV5LA24 | 24" Pipe, Adjustable |
| SV5E45 | Swivel 45° Elbow |
| SV5E90 | Swivel 90° Elbow |
| SV5CSB | Adjustable decorative sq. cathedral support |
| SV5AC | Collar for decorative sq. cathedral support |
| SV5SU | Universal support |
| SV5SD | Floor support |
| SV5BM | Wall band |
| SV5RSA | Attic radiation shield |
| SV5RSM | Wall radiation shield |
| SV5BF | Firestop |

SELKIRK DIRECT-TEMP

| Number | Description |
|----------|-------------------------------------|
| 1605006 | 6" Pipe Length |
| 1605009 | 9" Pipe Length |
| 1605012 | 12" Pipe Length |
| 1605018 | 18" Pipe Length |
| 1605024 | 24" Pipe Length |
| 1605036 | 36" Pipe Length |
| 1605048 | 48" Pipe Length |
| 1605082 | 4-10" Pipe, Adjustable |
| 1605215 | 45° Elbow |
| 1605230 | 90° Elbow |
| 1605424B | Cathedral ceiling support box (blk) |
| 1605500 | Firestop spacer |
| 1605460B | Wall thimble (blk) |
| 1605430 | Wall support band |

NOTES:

NOTES:



TOWN & COUNTRY
FIREPLACES™

TECHNICAL SUPPORT: 1-877-715-2664
www.townandcountryfireplaces.net
2975 Allenby Rd., Duncan, BC V9L 6V8