



TOWN & COUNTRY  
FIREPLACES™

# TC36

## BLACK DIAMOND BURNER KIT

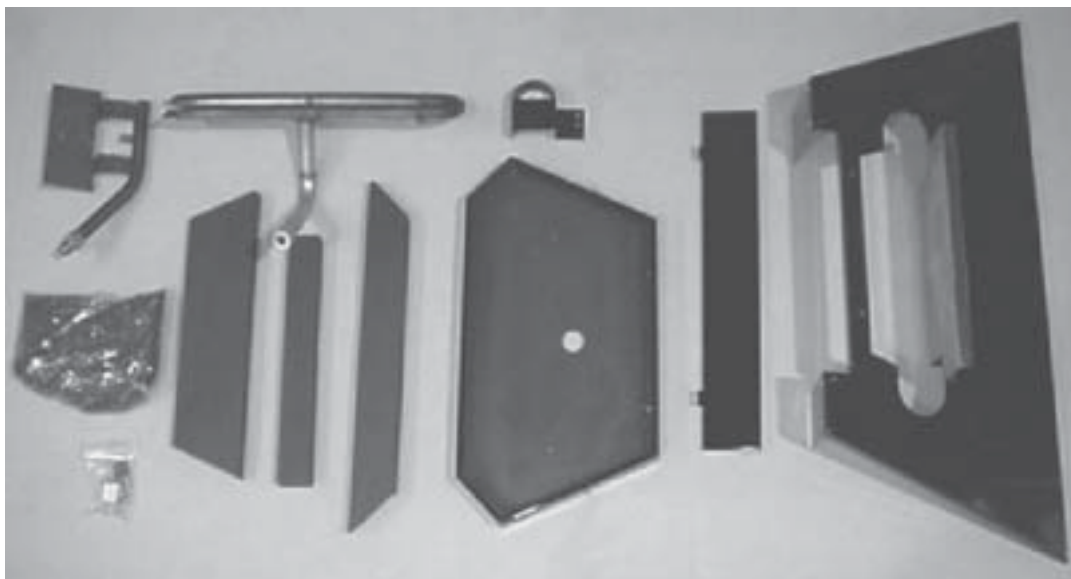
### TC36.NG03

**PACKAGE CONTENTS:**

- BURNER TUBE
- BURNER TRAY ASSY
- TUMBLED GLASS
- BURNER SHIELD
- PANEL, LOWER REAR
- MANIFOLD ASSEMBLY
- PILOT SHIELD

**NOTE: MUST BE USED WITH PORCELAIN PANEL SET PART# TC36.PNLPBKB**

- |                    |                        |                  |
|--------------------|------------------------|------------------|
| PART# TC36.5011835 | • HARDWARE PACKAGE     | PART# TC36.HK03  |
| PART# TC36.9632    | • MEDIA SPACER, Rear   | PART# TC36.9634  |
| PART# 5012.01      | • MEDIA SPACER, Front  | PART# TC36.96345 |
| PART# TC36.9636    | • MEDIA SPACER, Center | PART# TC26.9635  |
| PART# TC36.9637PBK |                        |                  |
| PART# TC36.9631    |                        |                  |
| PART# TC42.9626PBK |                        |                  |



**These instructions are supplementary to the Installation and Operating Instructions supplied with the fireplace and should be kept together. Refer to the Installation and Operating Instructions for proper gas supply, safety requirements and operating instructions.**



**IMPORTANT: THESE INSTRUCTIONS  
ARE TO REMAIN WITH THE  
APPLIANCE INSTRUCTIONS**

## BLACK DIAMOND BURNER INSTALLATION

If the control is installed on the left hand side of the unit the manifold will also need to be repositioned before the manifold assembly is installed. This is done by removing two retaining screws, turning the manifold over and re-attaching. See Fig. #1. The pilot support bracket, installed on the burner tray, will also have to be positioned on the left hand side of the burner tray.

- 1) Attach the manifold bracket to the floor shield in the bottom of the firebox with one screw as shown in Fig. # 2.
- 2) Panel clips must be installed on the bottom of both side panels (notch facing inside), before installing the panels, and positioned as shown in Fig. # 3 to insure proper positioning of burner shield.

Fig. # 1



REPOSITION MANIFOLD ON  
MANIFOLD BRACKET

Fig. # 2



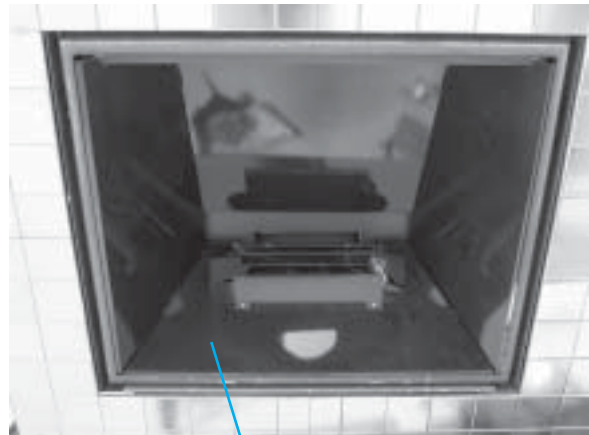
INSTALL MANIFOLD BRACKET

Fig. # 3



POSITIONING PANEL CLIPS

Fig. # 4



INSTALLING BURNER SHIELD

Fig. # 5



INSTALLING BURNER SHIELD SPRING NUTS

- 3) Install burner shield by tipping the shield into the firebox, catching the folded edges in the panel clips.
- 4) Position spring nuts, included in hardware package, onto burner shield. (Fig # 5)
- 5) Attach the burner tray to the burner shield using two screws at the back of the tray. (Fig. # 6)
- 6) Attach the pilot (millivolt shown) to the side of the tray. (Fig # 7)
- 7) Attach pilot shield to burner tray with two screws. If using an electronic control system, attach the pilot to the pilot shield, then attach the shield to the burner tray. (Fig # 8)
- 8) Rear and front media spacers are now installed. (Figs #9 & 10)

Fig. # 8



**PILOT SHIELD ATTACHMENT**

Fig. # 6



**BURNER TRAY PLACEMENT**

Fig. # 9



**REAR MEDIA SPACER**

Fig. # 7



**PILOT ATTACHMENT**

Fig. # 10



**FRONT MEDIA SPACER**

9) Install burner by tilting burner inlet through tray. Ensure that the orifice has entered the inlet tube and secure the burner to the tray with two screws. (Fig # 11a & b) Set the air shutter to fully open for Propane or fully closed for Natural gas.

10) Install the center media spacer. (Fig # 12)

11) Install lower rear panel with two screws. (Fig # 13)

12) Apply just enough tumbled glass to cover the burner assembly. (Fig # 14)

**NOTE: Too much tumbled glass over the burner will cause sooting with the use of propane gas.**

**Unit is designed specifically to use tumbled glass part # 5012.01 use of any other glass or material will void warranty.**

Fig. # 12



CENTER MEDIA SPACER

Fig. # 11a



BURNER INSTALLATION

Fig. # 13



LOWER REAR PANEL

Fig. # 11b



BURNER INSTALLATION

Fig. # 14



TUMBLLED GLASS PLACEMENT

## BURNER FLAME ADJUSTMENT

The air shutter at the end of the burner inlet tube controls the primary combustion air to the gas burner and is preset closed at the factory for natural gas fuel. Some adjustment may be necessary to obtain desired flame and to eliminate carbon deposits. Evaluate flame appearance after the fireplace has reached operating temperature. See Fig. #15 for proper flame pattern.

Open primary air shutter if the window glass, and firebox have carbon accumulation and/or the flames are long, dark and stringy. The shutter may also be opened to lessen the flame height.

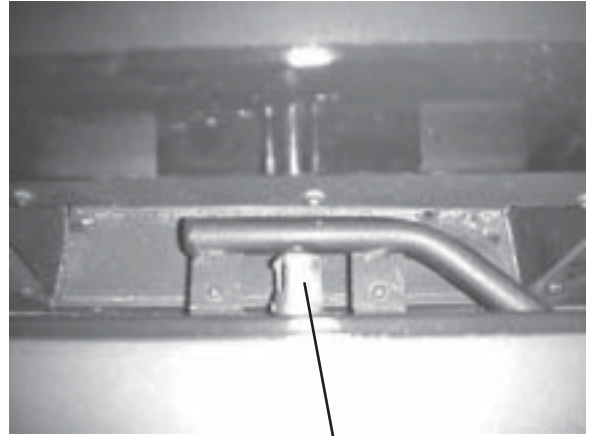
**Caution: Burner area may be hot!**

Turn off the fireplace and allow the unit to cool before proceeding.

**To Adjust:** (See Fig. # 16)

- 1) Open and remove window frame and set aside. See "Window Frame Removal" section found in the Installation and Operating Instructions manual.
- 2) Remove the lower rear panel and set aside.
- 3) Loosen the screw securing the primary air shutter.
- 4) Rotate the shutter to increase or decrease the amount of primary air.
- 5) Re-tighten the primary air shutter.

Fig. # 16



**PRIMARY AIR SHUTTER**  
(shown in open position for propane)

The flame should be just orange and "lazy". It should NEVER be set to create sooting on internal parts and window glass.

Fig. # 15

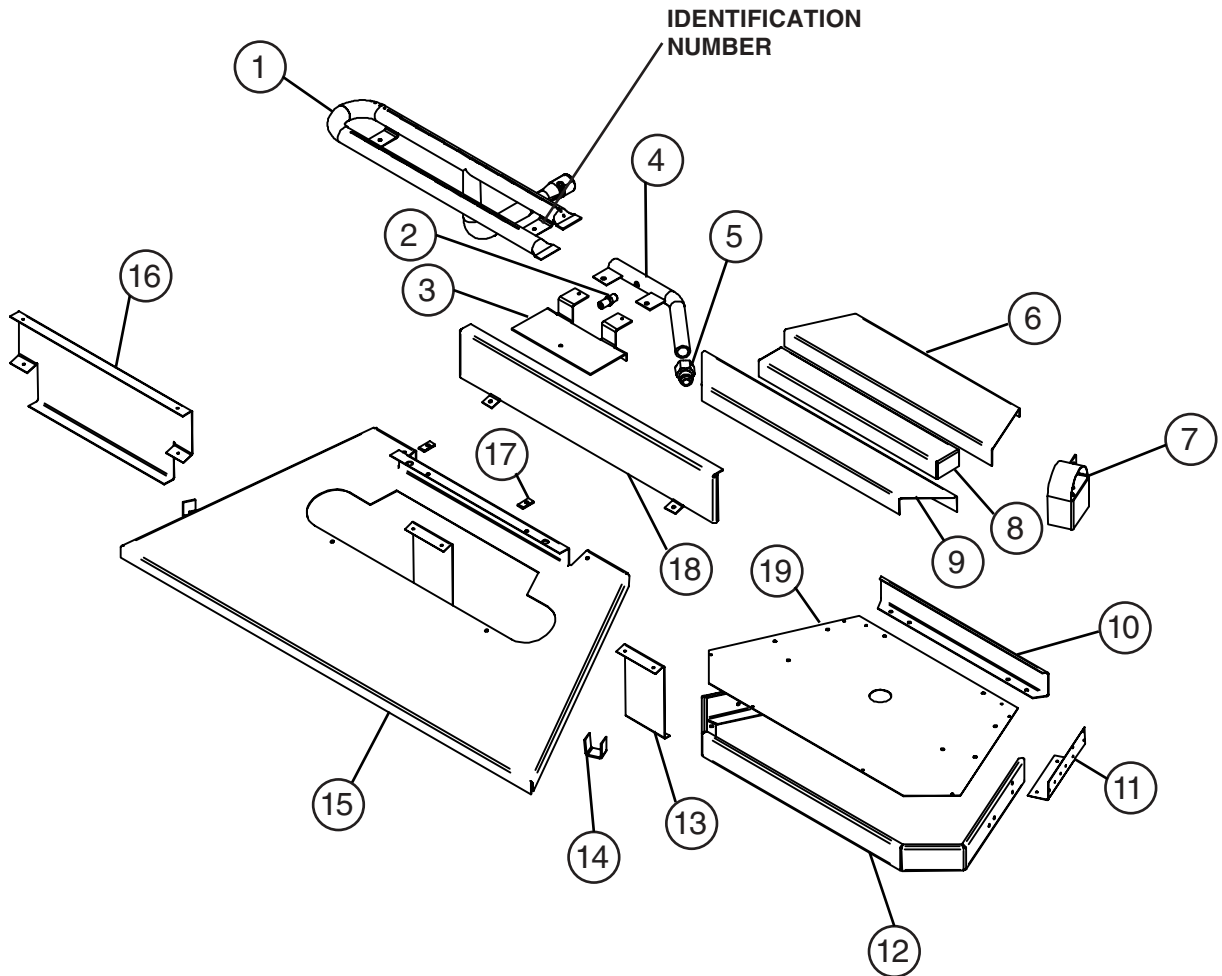


## REPLACEMENT PARTS

NOTE: FIREPLACE & VALVE REPLACEMENT PARTS ARE  
LOCATED IN THE APPLIANCE INSTRUCTIONS

ITEM.....DESCRIPTION.....PART NO.	ITEM.....DESCRIPTION.....PART NO.
1.....BURNER TUBE.....TC36.5011835	11.....PILOT SUPPORT.....TC36.9625PBK
2.....ORIFICE, NG.....5022.13	12.....TRIM, FRONT.....TC36.9633PBK
.....ORIFICE, LP.....5021.34	13.....SHIELD LEG.....9620
.....MANIFOLD ASSEMBLY.....TC36.9788	14.....PANEL CLIP.....9610
3.....MANIFOLD BRACKET.....9631	15.....BURNER SHIELD.....TC36.9636PBK
4.....MANIFOLD.....TC36.9788WLD	16.....TRAY SUPPORT.....TC36.96365
5.....DORMONT FITTING.....5019.221	17.....SPRING NUT.....5044
6.....MEDIA SPACER, REAR.....TC36.9634	18.....PANEL, LOWER REAR.....9637
7.....PILOT SHIELD.....TC36.9626001PBK	19.....BURNER TRAY.....TC36.9632PNT
8.....MEDIA SPACER, CENTER.....TC36.9635	.....HARDWARE PACKAGE.....TC36.HK03
9.....MEDIA SPACER, FRONT.....TC36.96345	.....TUMBLER GLASS.....5012.01
10.....TRAY TRIM, REAR.....TC36.96335PBK	

Fig. # 17



**NOTES:**

---



TOWN & COUNTRY  
FIREPLACES™

**[www.townandcountryfireplaces.net](http://www.townandcountryfireplaces.net)**

2975 Allenby Rd., Duncan, BC V9L 6V8

Phone: 1-888-223-0088