



TOWN & COUNTRY  
L U X U R Y F I R E P L A C E S

# TC30 BIRCHWOOD LOG SET & BURNER INSTALLATION MANUAL



Visit [www.townandcountryfireplaces.com](http://www.townandcountryfireplaces.com) for the most recent version of this manual

## Contents of Package



Figure 1: TC30 Birchwood Contents.

The Birchwood Log Set must use the burner supplied with the kit.

## Burner Electrical - Gas Burner Connections

1. For ease of installation, place the burner tray in the firebox on the burner base plate, but do not secure it in place at this time.
2. Loosen the Bulkhead grommet plate screws, (Figure 13) to enable the ignition and sensor wires to be easily fed through the small holes in the bulkhead grommet. Feed the wires towards the control module.
3. Connect the ignition and sensor wires to the control module as shown in (Figure 4).



Figure 2: Access cover to valve control center.

It is recommended that access is through the cover on the inside on the firebox.

\*\* If there is enough room on the outside of fireplace, the connections can be done by removing the control box from the outside of the fireplace. Make sure to reattach the box after connections are made.

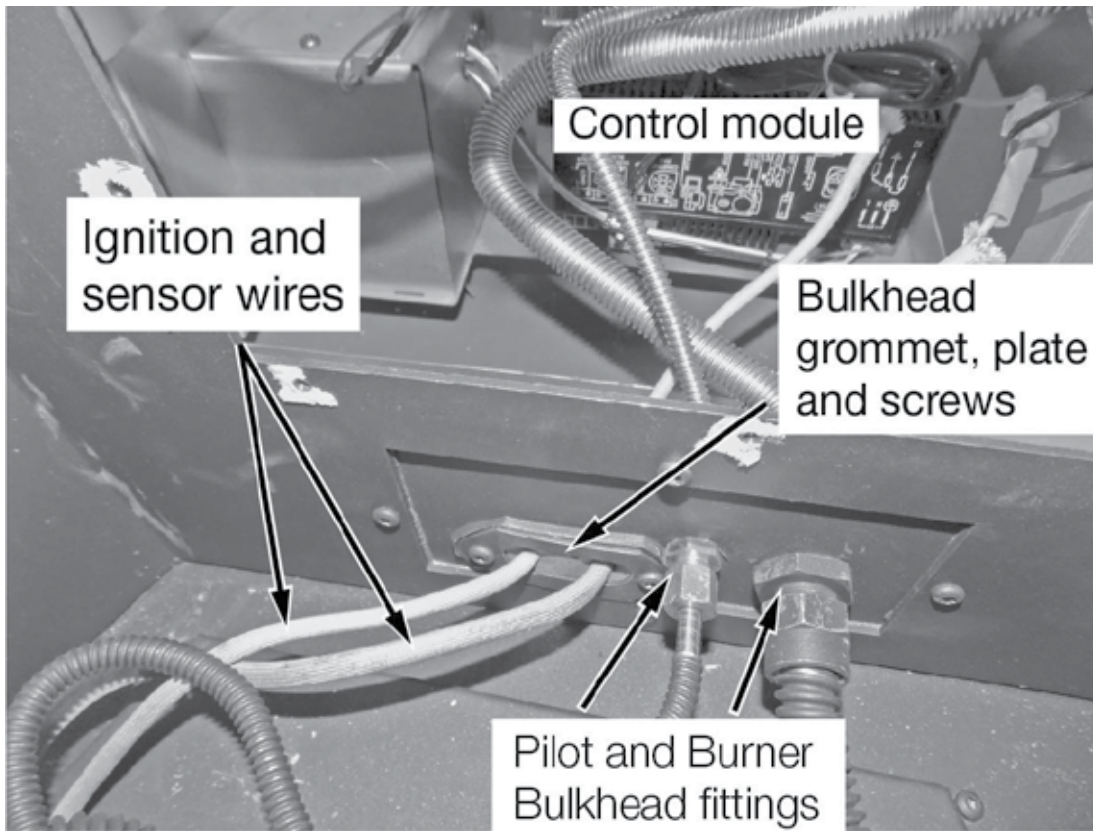


Figure 3: TC30 Bulkhead fittings and wires with access cover removed.

4. Tighten the bulkhead grommet plate screws.
5. Re-attach the access cover plate if it was removed.

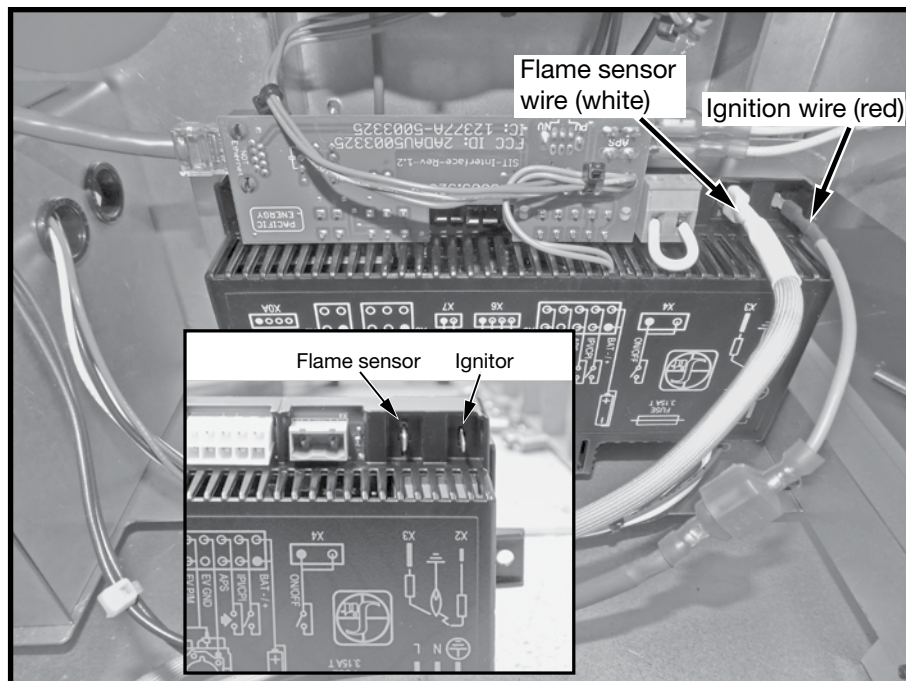


Figure 4: Control module & pilot connections.

6. Install the decorative panel set now while the burner is still able to be maneuvered. Refer to fiber panel set installation instructions located in the fireplace installation manual or porcelain panel installation instructions which is included in the porcelain panel set package.
7. Slide the burner to the left as far as possible without making contact with the decorative panels once the panels have been installed. This will provide room to connect the gas lines.

8. Attach the pilot and gas supply lines to the bulk head fittings and tighten (Figure 5). Ensure the connections are gas tight.
9. With the electrical and gas lines now connected, slide the burner base plate back to the center of the firebox.

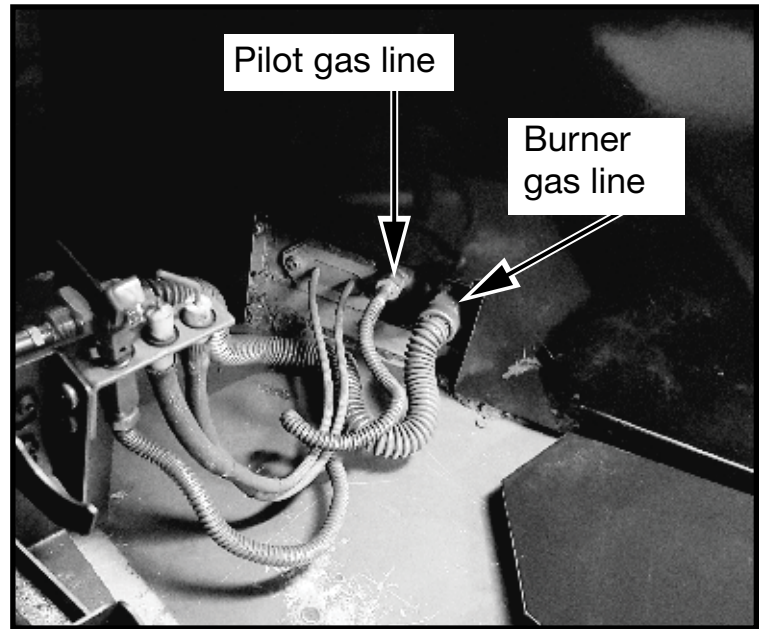


Figure 5: Gas line connections.

10. Locate the screw on the firebox bottom (Figure 6) and attach the burner to it using two long screws provided. Shift the burner to the right so that the key hole slots are engaged with the screws (Figure 7 and 8). Gently tighten screws.

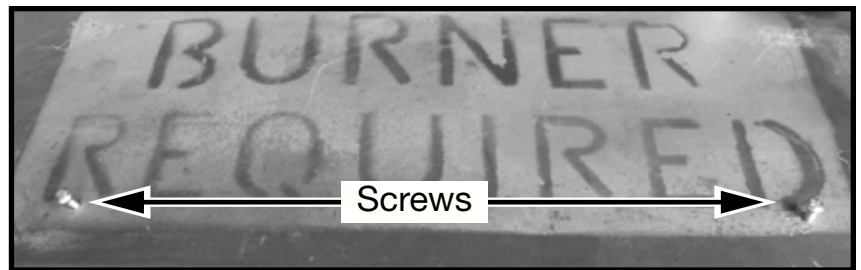


Figure 6: Mounting screw location.



Figure 7: TC30 Birchwood Burner Base Left.



Figure 8: TC30 Birchwood Burner Base Right.



Figure 9: TC3 Birchwood Burner lock down.

## Grate Installation

11. The front legs of the log grate will attach to the burner base plate in the holes provided (Figure 10).

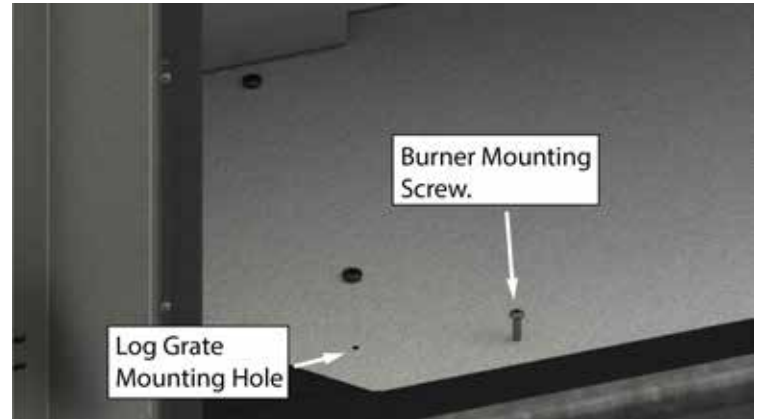


Figure 10: TC30 Screw locations in Floor.

12. Place the log grate over the burner assembly (Figure 11) and secure by locating the screw slots at the base of the two front legs of the log grate. Use the screws provided to secure the log grate to the floor of the unit (Figure 12 and Figure 13).

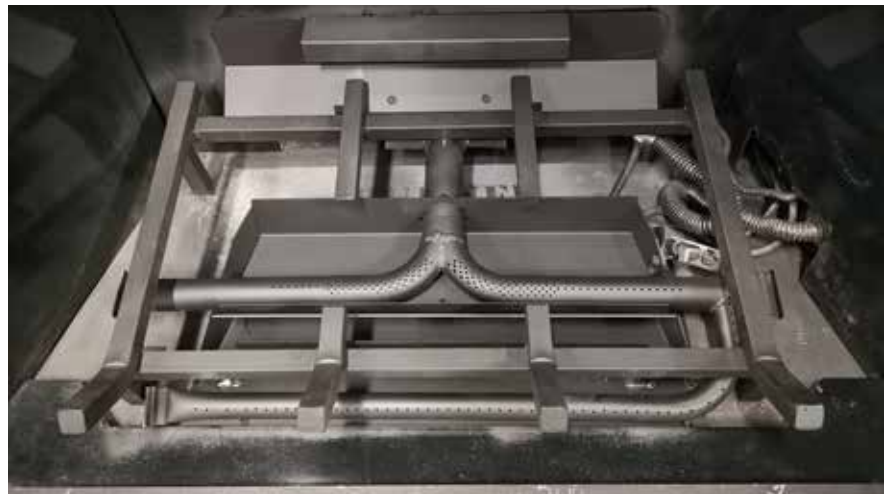


Figure 11: TC30 Burner w Grate.



Figure 12: TC30 Birchwood Grate LHS Screw.



Figure 13: TC30 Birchwood Grate RHS Screw.

# Birchwood Log Set Contents

The Birchwood Log Set comes with the following pieces:



Figure 14: TC30 Birchwood, Log 1 - Rear.



Figure 15: TC30 Birchwood, Log 2 - Far Right.



Figure 16: TC30 Birchwood, Log 3 - Right.



Figure 17: TC30 Birchwood, Log 4 - Left.



Figure 20: TC42 Birchwood Log Ember Wool.



Figure 21: TC30 Birchwood Bag of Embers.



Figure 18: TC30 Birchwood, Log 5 - Center.



Figure 19: TC30 Birchwood, Log 6 - left Front.

## Log Set Placement

1. With the panels, burner, and log grate installed, spread the contents of the ember wool bag around the fireplace floor. Ember wool must be spread over the upper and lower burner tubes. Cover the gas supply hoses and electrical cables and connections with ember wool (Figure 22) but do not cover the pilot assembly.



Figure 22: TC30 Birchwood Ember Wool.



Figure 23: TC30 Birchwood Rear Log #1.

2. Place Rear - log #1 onto the log grate. The log should be centered in the fireplace. The back of log 1 should rest against the front of the metal Rear Log spacer at the rear of the fireplace (Figure 23).



3. Place log 2 (Far Right) onto the log grate, just in front of log 1. Log 2 should be positioned so that the front edge is sitting flush to the front edge of the shelf (Figure 24).



Figure 24: TC30 Birchwood Far Right - Log #2.

4. Position log 3 so that the back of the log is leaning flat against log 1 and its side is against the log grate (Figure 25). The front edge must be behind the door frame edge.



Figure 25: TC30 Birchwood Right - Log #3.

5. Place log 4 so that it sits rests on the Back Log is supported by the grate supports (Figure 26).



Figure 26: TC30 Birchwood Left - Log #4.



Figure 27: TC30 Birchwood Front - Log #5.

6. Log 5 is sits on the front part of the log grate with the branch stub hanging down slightly. It should be centered left to right (Figure 27).



Figure 28: TC30 Birchwood Left Front - Log #6.

7. Place log 6 so that it rests in front of log 4 with the straight end under the log grate. The forked end should be resting on top of the left most bar of the log grate (Figure 28).



Figure 29: TC30 Birchwood Log set complete.

8. Place Ember Chunks along the front, behind the door frame edge. A few chunks can be placed in the Ember Wool located on the rear burner (Figure 29).



© 2019 Copyright Pacific Energy Fireplace Products LTD

Reproduction, adaptation, or translation  
without prior written permission is prohibited,  
except as allowed under the copyright laws.



**For technical support, please contact  
your retailer**

**Web site: [www.townandcountryfireplaces.com](http://www.townandcountryfireplaces.com)  
2975 Allenby Rd., Duncan, BC V9L 6V8**

Printed in Canada