

INSTALLER: Leave this manual with the appliance.
CONSUMER: Retain this manual for future reference.

These instructions are supplementary to the Installation and Operating Instructions supplied with the fireplace and should be kept together. Refer to the Installation and Operating Instructions for proper gas supply, safety requirements and operating instructions



TOWN & COUNTRY
L U X U R Y F I R E P L A C E S

TC30 COUNTRY HOME BURNER KIT INSTRUCTIONS (NATURAL GAS ONLY)



SKU# 22150007
For TC30 Series D
Fireplaces



Visit www.townandcountryfireplaces.net for the most recent version of this manual

Contents of Package

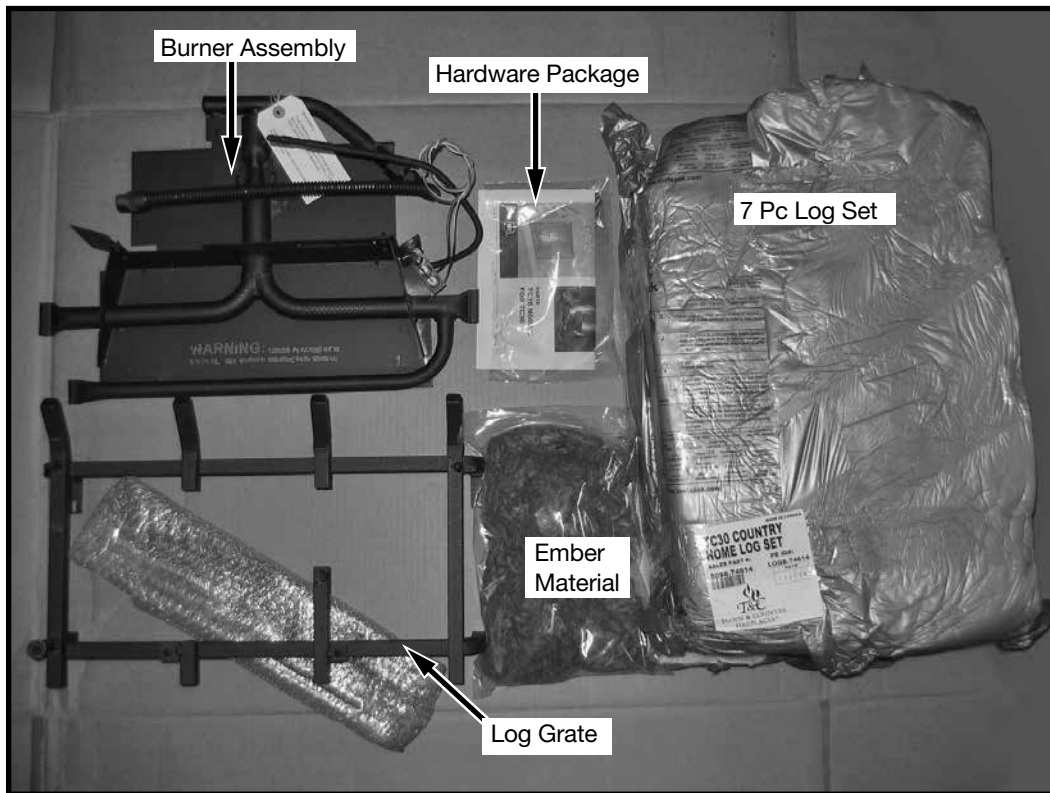


Figure 1: TC30_ NG02DN Kit contents.

Burner/Grate Installation

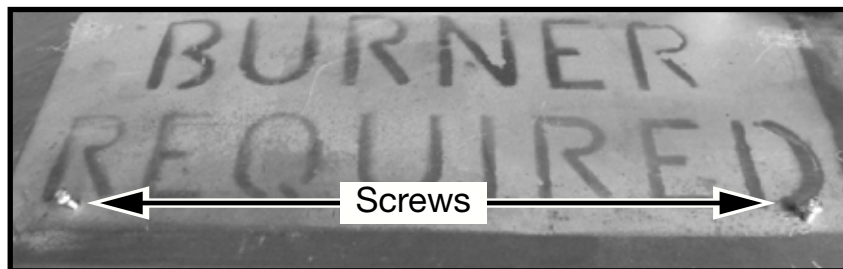


Figure 2: Firebox base.

1. Place the keyhole slots of the burner (Figure 3) over the two screws located on the firebox floor (Figure 2).

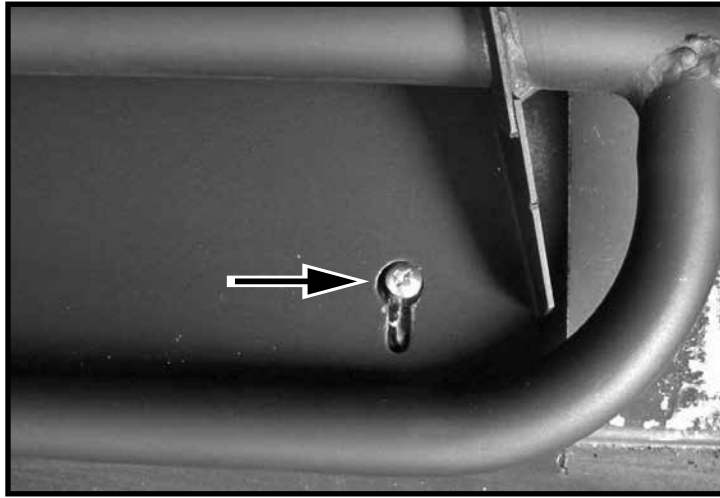


Figure 3: Burner assembly over top of right side screw.

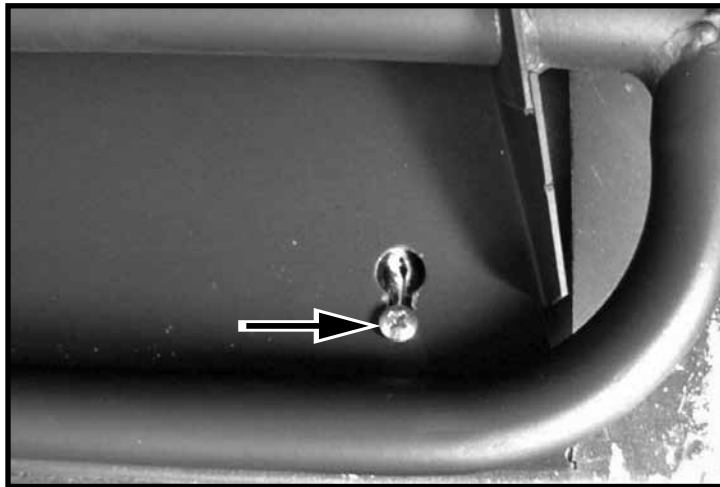


Figure 4: Burner assembly pushed back against right side screw.

2. Slide the burner back to engage the screws in the small part of the keyhole slot and tighten screws (Figure 4).
3. Remove access cover to the valve control center from right side of firebox (Figure 5)



Figure 5: Access cover to valve control center.

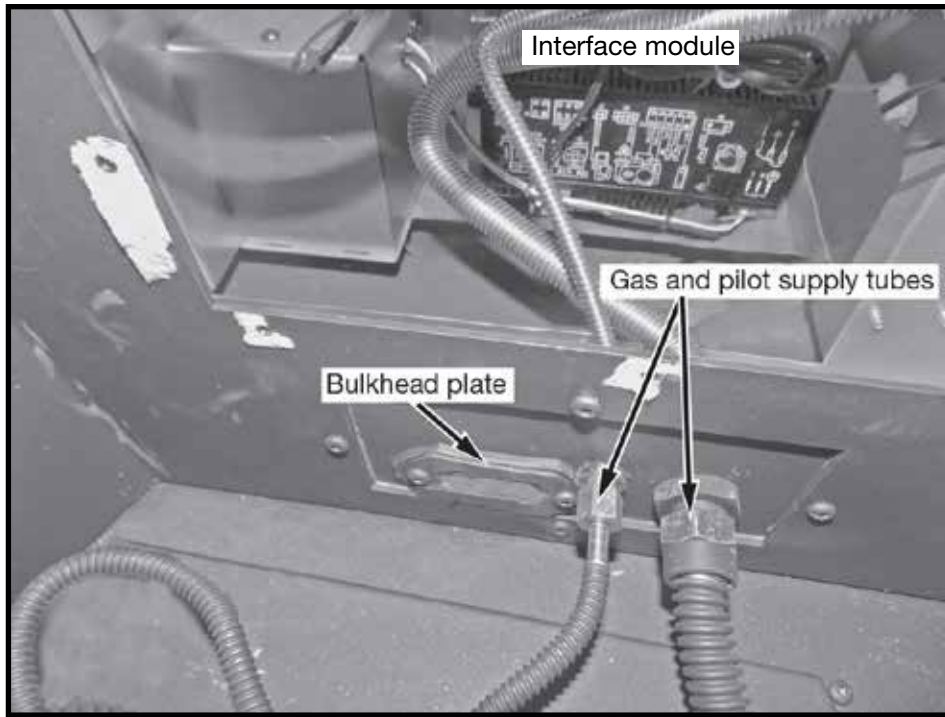


Figure 6: Gas and pilot supply tubes.

4. Attach the pilot and gas supply tubes to the bulk head fitting and tighten (Figure 6). Ensure the connections are gas tight.

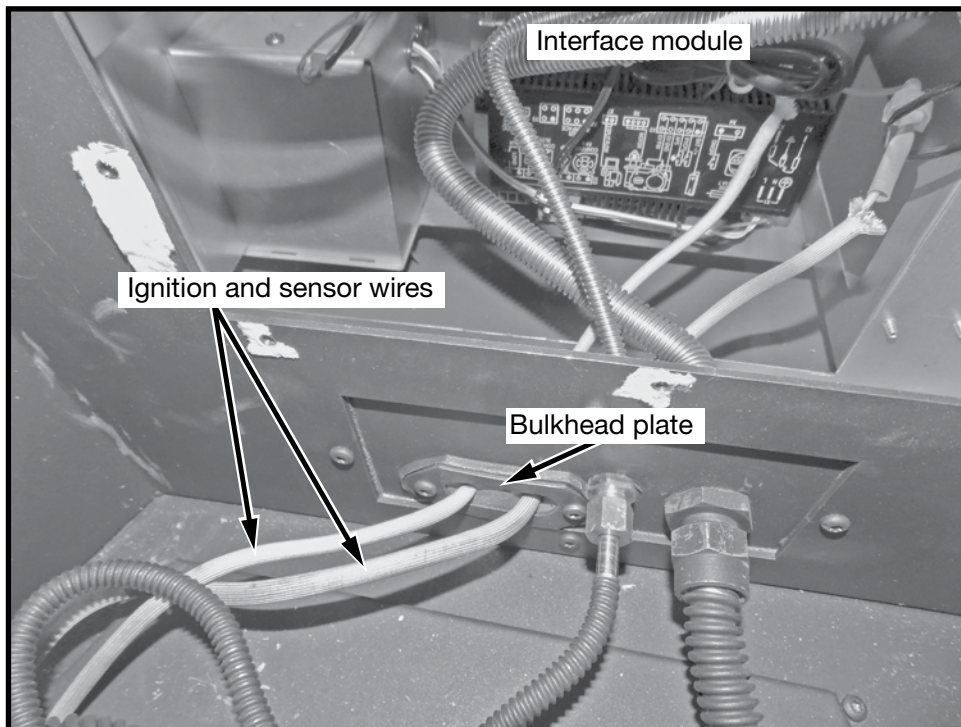


Figure 7: Ignition and sensor wires routing.

5. Feed the ignition and sensor wires through the bulkhead plate to the interface module. Tuck the ignition and sensor wires below the supply tubes (Figure 7).

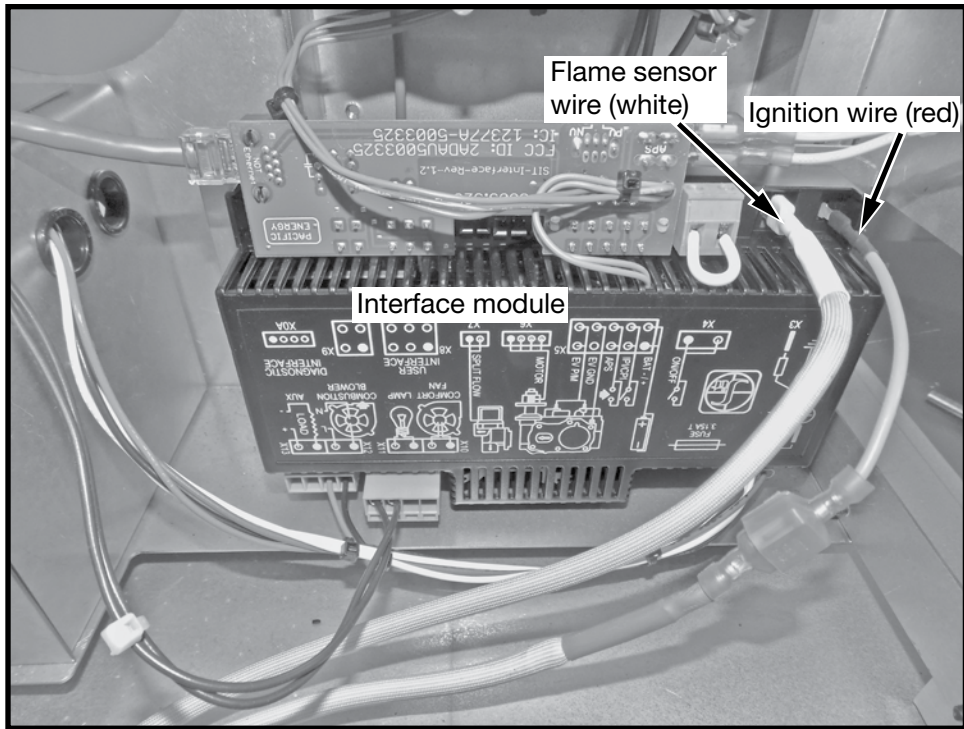


Figure 8: Interface module.

6. Attach the ignition and sensor wires to the Interface module as shown in Figure 8.
7. Reinstall the valve control center access panel (See Figure 5 on page 3).

A panel set must now be installed before the before the log grate can be installed. See Installation and Operating Instructions manual for details.



Figure 9: Securing log grate to the floor.

8. With a panel set installed, position the slots of the log grate securing brackets over the holes in the floor shield and secure with the two screws (Figure 9).
9. Attach rear deflector to rear of grate using the two screws provided (Figure 10).

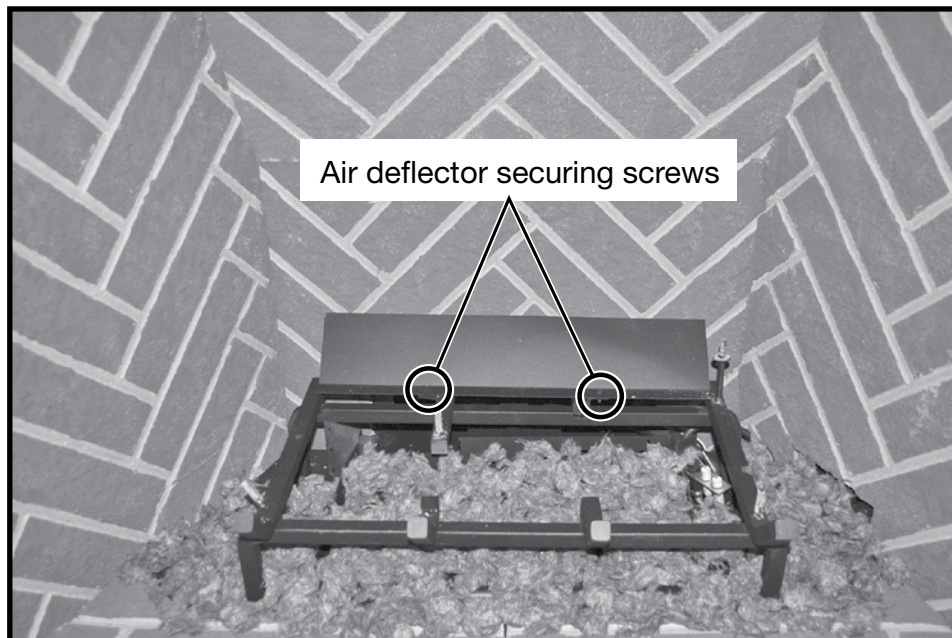


Figure 10: Rear air deflector.

Ember Material Placement

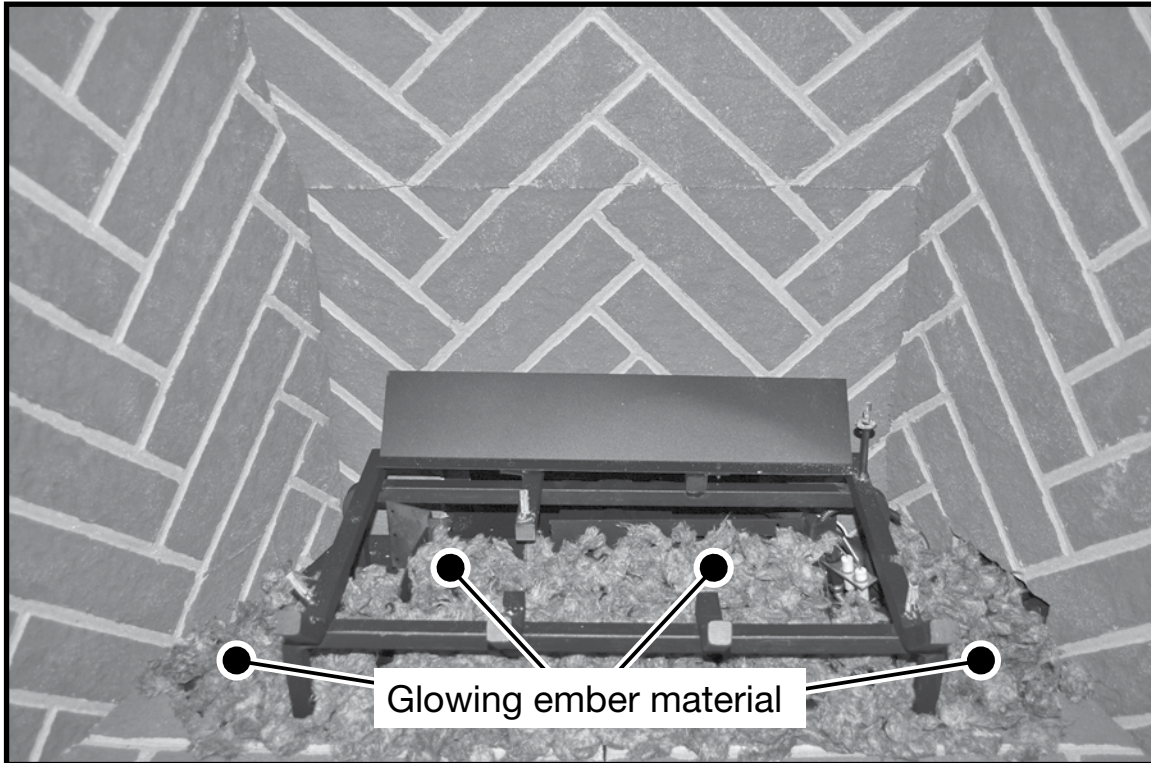


Figure 11: Glowing ember placement.

A large bag of ember material is shipped with the fireplace and needs to be installed to ensure optimum performance and flame appearance.

Pull apart the material into ember size pieces (approximately 1" squares) and gently place them into the burner pan. Do not compress, leave it loose for best performance.

Fill the burner pan level with the top of the pan at rear, and gradually slope forward to the firebox floor at the front, covering both burner tubes.

Place remaining ember material outside of the burner pan as desired to cover-up gas lines and brackets.

Note: Ember material placement and amount will affect flame appearance. More ember material results in lower flame height. Add or remove as needed until desired flame affect.

Log Placement

Gas plumbing and vent connections should be completed before proceeding.

The logs are fragile, and should be handled with care. Unpack and inspect log set. There should be a total of seven logs.

Position the logs as indicated by the following pictures. The three main logs have holes and / or pins. Engage each pin in the corresponding holes. The four smaller logs do not have holes or pins. They rest in position. Locate as per the diagrams 12 through 19.

Note: Improper placement of logs will cause sooting on internal parts and glass. The logs may need to be repositioned slightly to avoid excessive flame impingement.

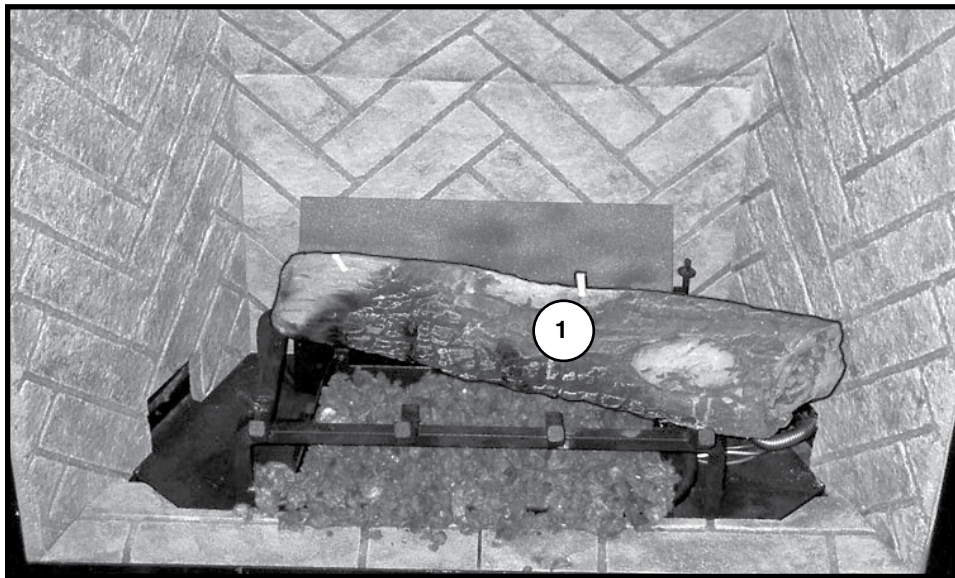


Figure 12: First log placement.

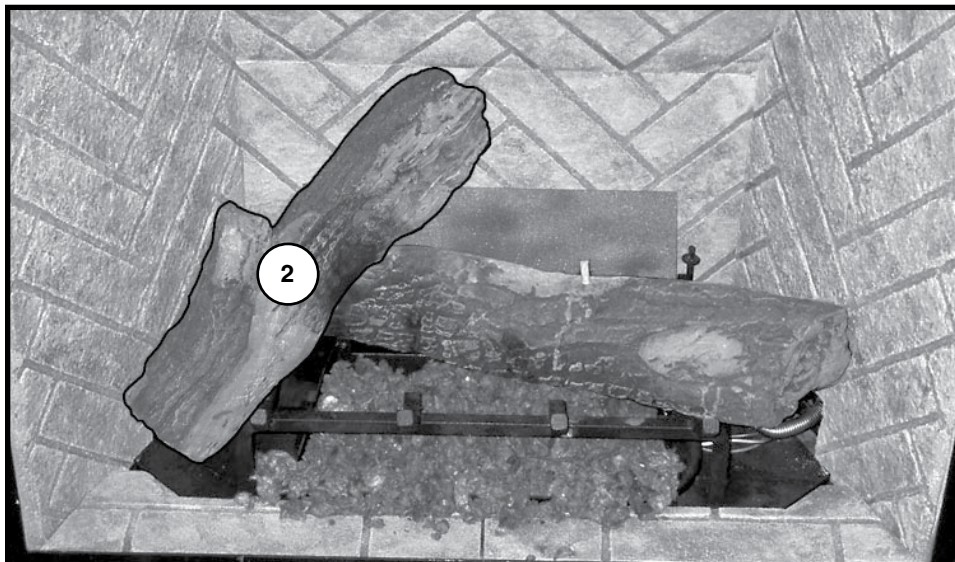


Figure 13: 2nd log placement.

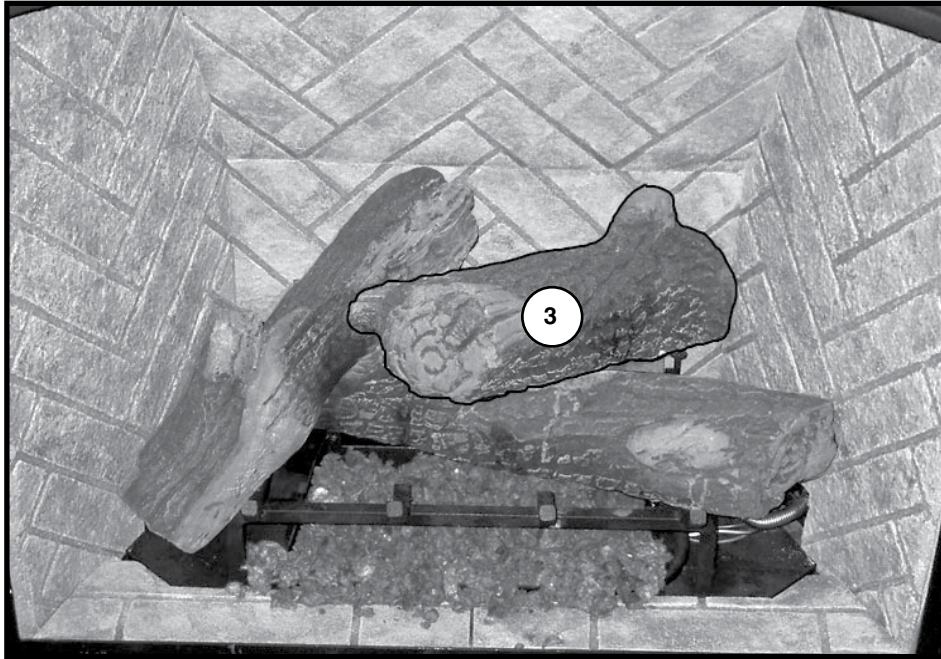


Figure 14: 3rd log placement.

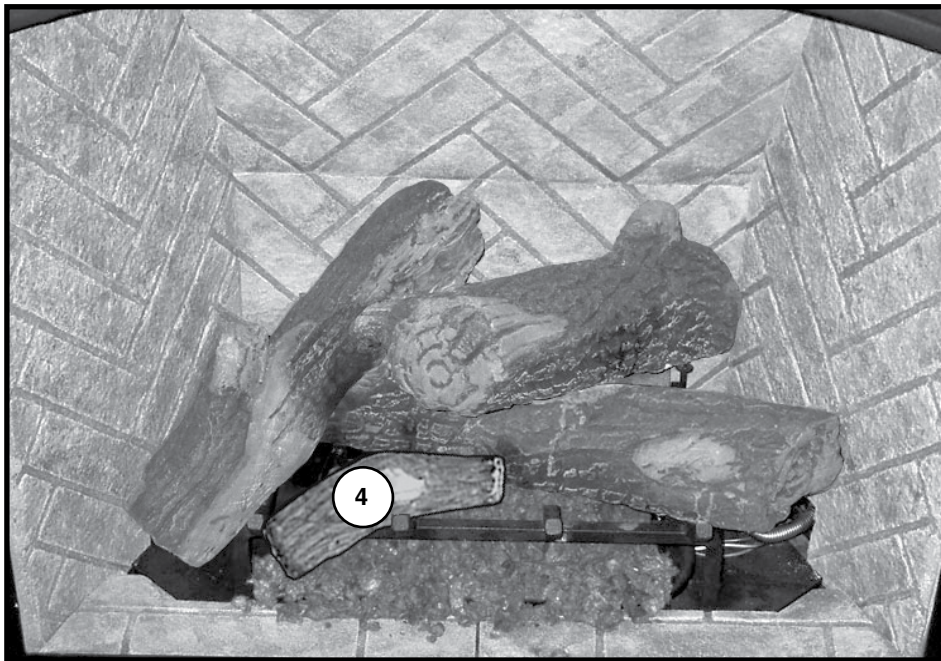


Figure 15: 4th log placement.



Figure 16: 5th log placement.



Figure 17: 6th log placement.

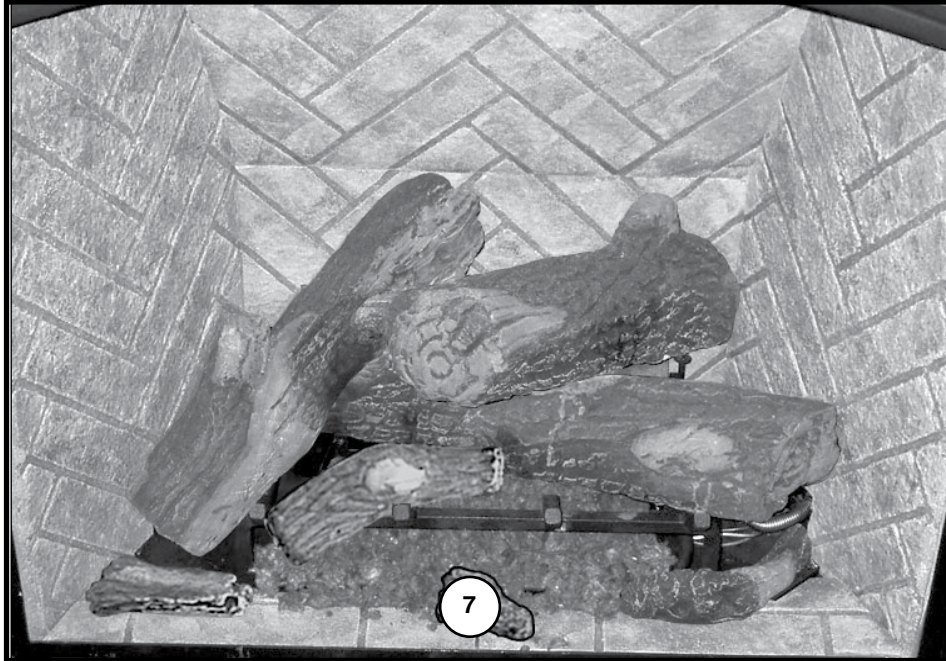


Figure 18: 7th log placement.

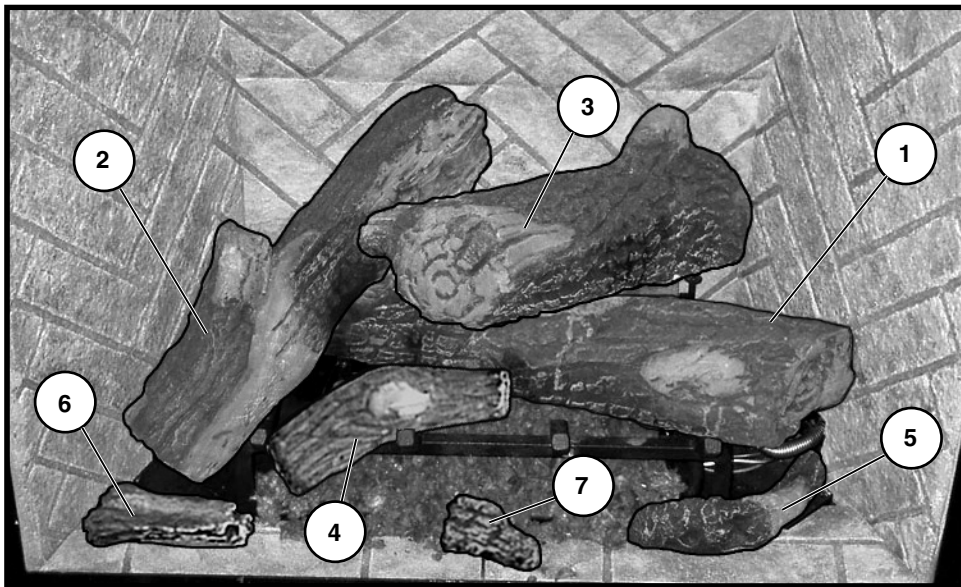


Figure 19: Completed log placement.

Gas Pressure Check

Note: To test the gas pressure, turn off the gas supply before removing the blanking plug from the supply pressure test port or manifold pressure test port.

Verify gas pressures with the fireplace lit and on the highest setting.

1. Remove the blanking plug from the pressure test port. The plug is located between the right side lintel and firebox side (Figure 20).
2. Thread the extension test fitting into the open test port (Figure 21)
3. Attach a pressure gauge onto the fitting.
4. When testing is complete remove the extension test fitting and replace the plug. Thread sealant will be required to ensure a gas tight connection.



Figure 20: Removing blanking plugs.



Figure 21: Attaching test extension.

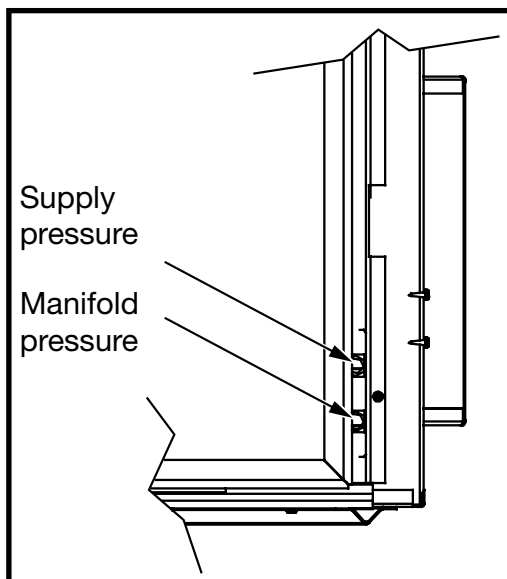


Figure 22: Testing port location.

Correct gas pressure requirement:

Supply Pressure	Natural Gas
Min. Pressure	5.0" WC
(For purpose of input adjustment)	
Max. Pressure	13.9" WC
Manifold Pressure	
Maximum	3.5" WC
Minimum	1.6" WC

Burner Flame Adjustment

The air shutter on the burner tube controls the primary combustion air to the gas burner and is pre-set at the factory for natural gas fuel. Some adjustment may be necessary to obtain desired flame and to eliminate carbon deposits. Evaluate flame appearance after the fireplace has reached operating temperature. See Figure 23 for proper flame pattern.

Open primary air shutter if the logs, glass, and firebox have carbon accumulation and/or the flames are long, dark and stringy. The shutter may also be opened to enhance the ember material glow and lessen the flame height.



Figure 23: Example of desirable flame appearance.

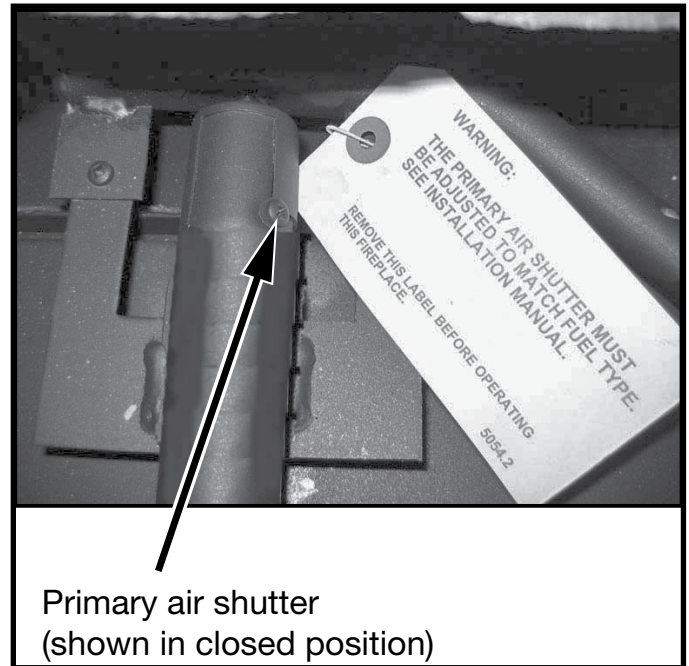


Figure 24: Primary air shutter.

Caution: Proper air shutter setting is a must. The flame should be just orange and “lazy”. It should NEVER be set to create sooting on internal parts and glass.

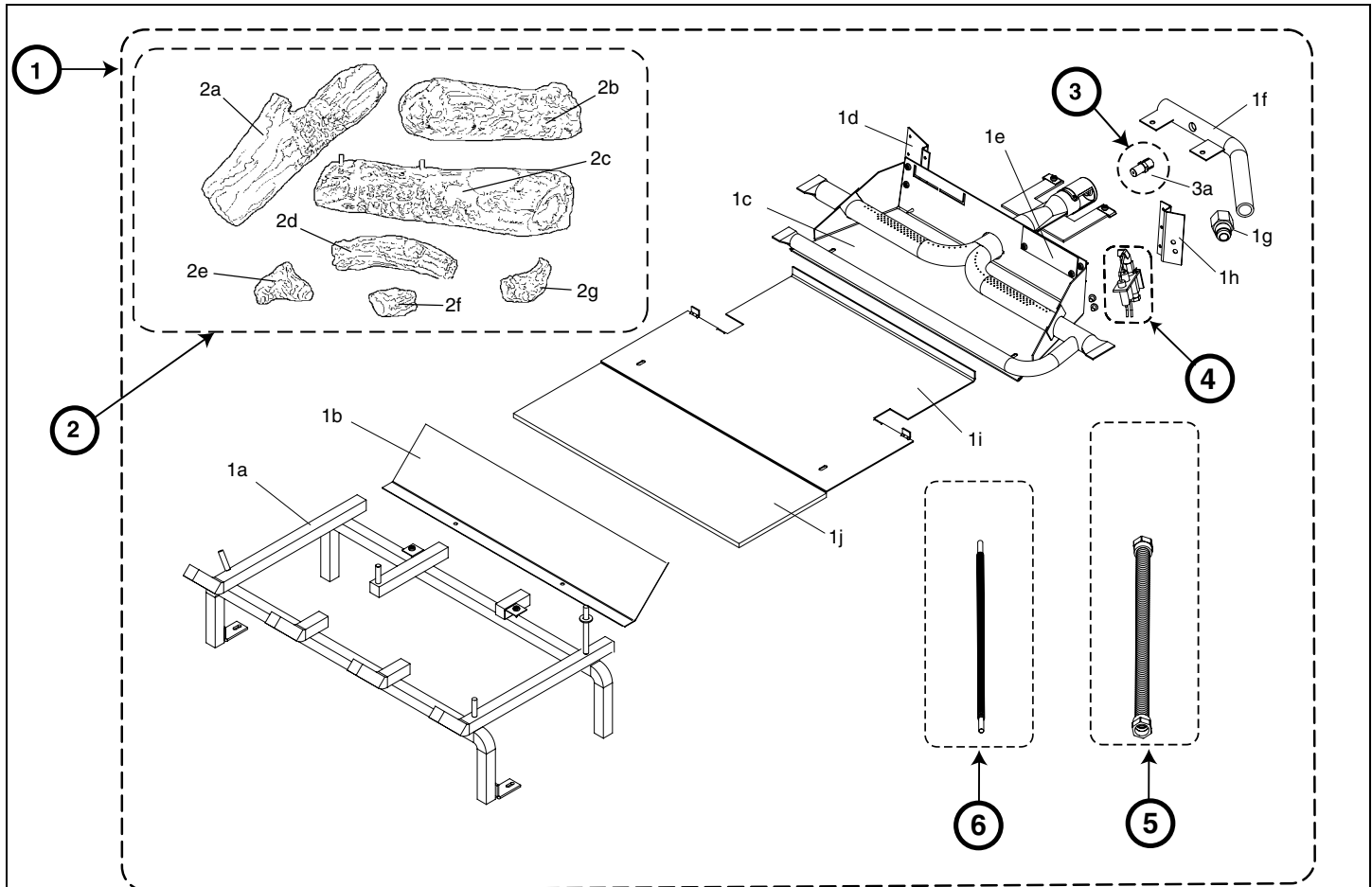
To Adjust:

1. Open and remove window frame and set aside. See "Window Frame Removal" section found in the Installation and Operating Instructions manual.
2. Remove the log set and set aside.
3. Remove the air deflector from the log grate.
4. Loosen the screw in the Primary Air Shutter.
5. Rotate the shutter to increase or decrease the amount of primary air.
6. Re assemble in reverse order.

Replacement Parts

(WHEN ORDERING, INCLUDE PART NUMBER WITH DESCRIPTION)

ITEM	DESCRIPTION	PART NO.	ITEM	DESCRIPTION	PART NO.
#1	COUNTRY HOME BURNER KIT	SKU#22150007	#4	PILOT ASSEMBLY, CONVERTIBLE.....	TCRP.5005025
#2	COUNTRY HOME LOG SET	5094.302027	#5	MAIN SUPPLY TUBE.....	5019.223
#3	ORIFICE, NATURAL GAS (#32).....	5021.332.A	#6	PILOT TUBE.....	5019.225



KIT CONTENTS:

<p>#1 BURNER ASSEMBLY</p> <p>1a GRATE</p> <p>1b AIR DEFLECTOR</p> <p>1c BURNER TRAY</p> <p>1d PILOT SHIELD</p> <p>1e BLOCKER PLATE</p> <p>1f MANIFOLD</p> <p>1g 1/2 PIPE TO 1/2 TUBE CONNECTION</p> <p>1h PILOT BRACKET</p> <p>1i HEAT SHIELD</p> <p>1j HEAT SHIELD INSULATION</p>	<p>#2 7 PCS LOG SET</p> <p>#3 ORIFICE, NATURAL GAS (#32)</p> <p>#4 PILOT ASSEMBLY, CONVERTIBLE</p> <p>#5 MAIN SUPPLY TUBE</p> <p>#6 PILOT TUBE</p>
------------------------------------------------------------------------------------------------------------------------------------------------------------------------------------------------------------------------------------------------------------------------------------	----------------------------------------------------------------------------------------------------------------------------------------------------

© 2017 Copyright Pacific Energy Fireplace Products LTD

Reproduction, adaptation, or translation
without prior written permission is prohibited,
except as allowed under the copyright laws.



For technical support, please contact your retailer

Web site: www.townandcountryfireplaces.net
2975 Allenby Rd., Duncan, BC V9L 6V8