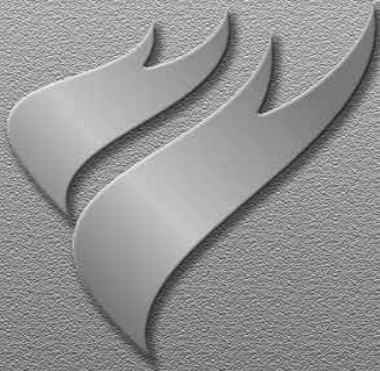


**INSTALLER: Leave this manual with the appliance.  
CONSUMER: Retain this manual for future reference.**

These instructions are supplementary to the Installation and Operating Instructions supplied with the fireplace and should be kept together. Refer to the Installation and Operating Instructions for proper gas supply, safety requirements and operating instructions



**TOWN & COUNTRY**  
LUXURY FIREPLACES

## **TC30 CHALET BURNER KIT INSTALLATION INSTRUCTIONS**



**SKU# 22150005  
For TC30 Series D  
Fireplaces**



**Visit [www.townandcountryfireplaces.net](http://www.townandcountryfireplaces.net) for the most recent version of this manual**

# Contents of Package

BURNER ASSEMBLY

EMBER MATERIAL

7 PCS LOG SET

HARDWARE PACKAGE

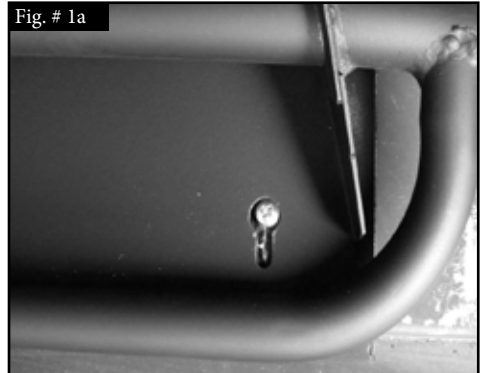
LOG GRATE



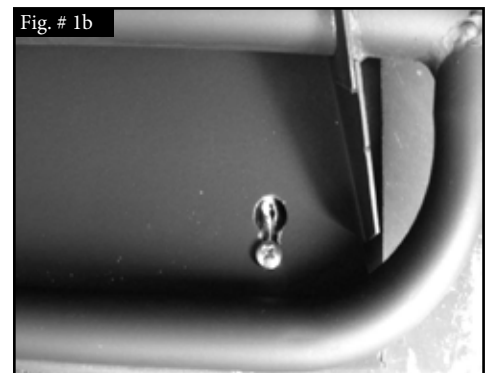
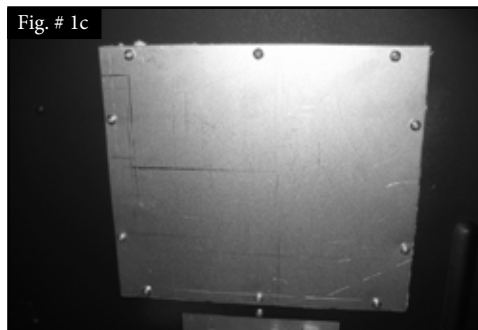
# Burner Installation

**If this fireplace is to be used on Propane please convert prior to installation. See pages 9 – 11.**

1. Place the keyhole slots in the burner over the two screws located in the firebox base. (Fig. #1 & 1a)
2. Slide the burner back to engage the screws in the small part of the keyhole slot and tighten screws. (Fig. #1b)
3. Remove access cover from side of firebox(Fig. #1c)

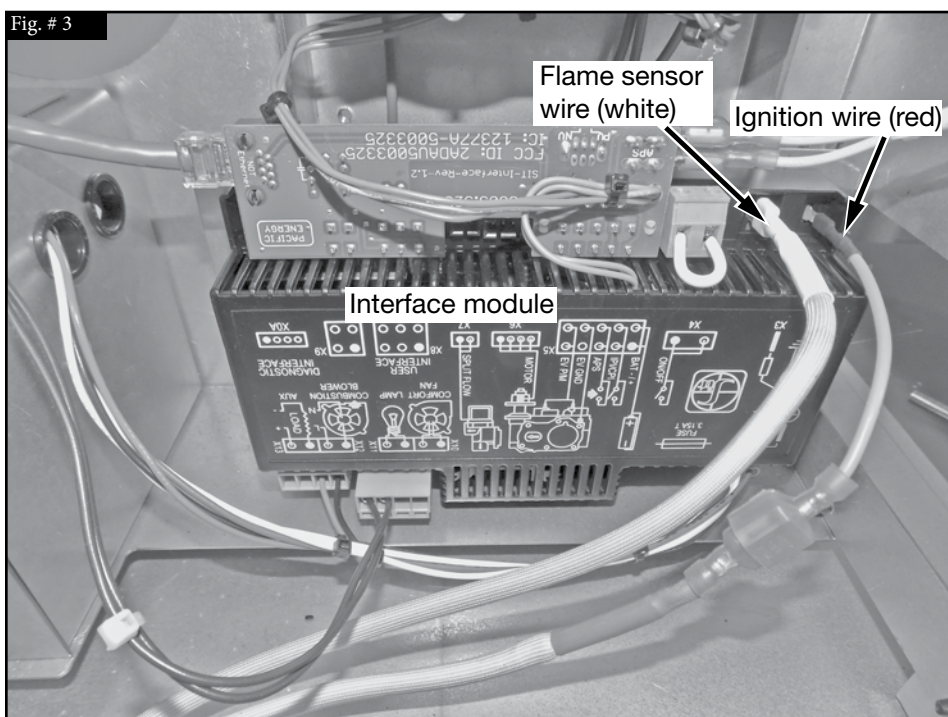
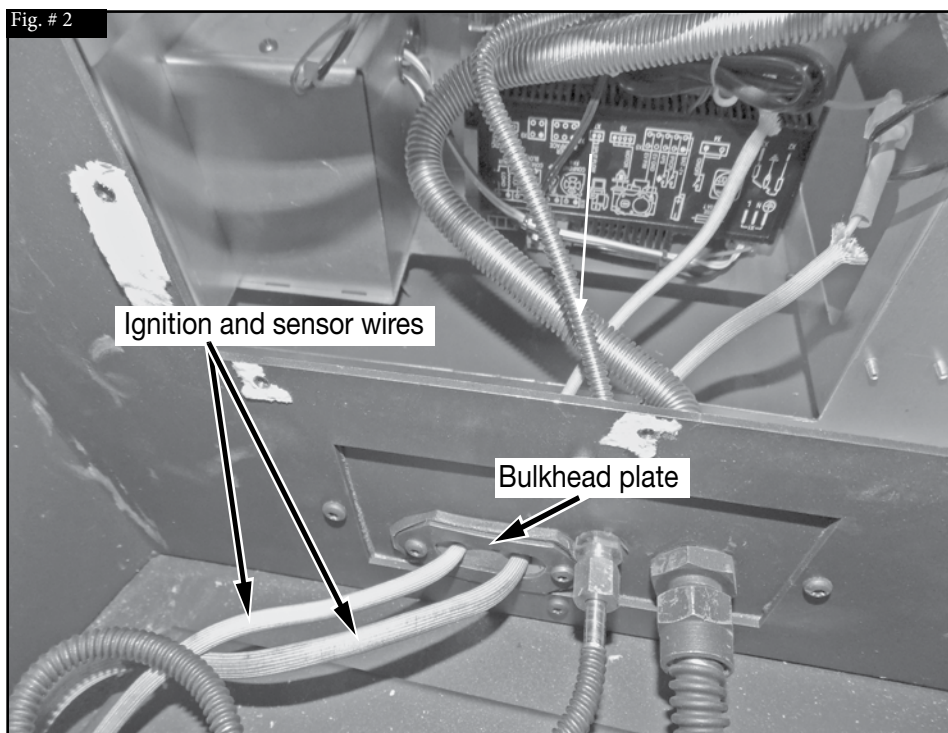


SCREWS



# Burner/ Grate Installation

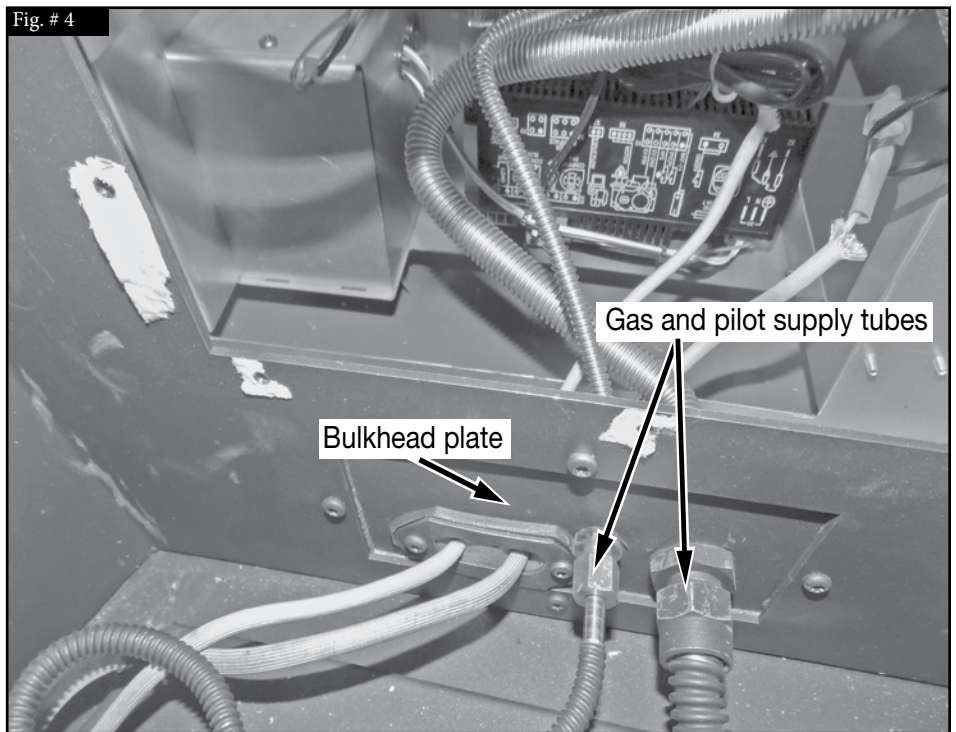
4. Feed the ignition and sensor wires through the bulkhead plate (Fig. #2) to the interface module. (Fig.#3).



5. Attach the pilot and gas supply tubes to the bulk head fitting and tighten. (Fig. # 4) Ensure the connections are gas tight. Conceal the spark and sensor wires below the supply tubes.

**A panel set must now be installed. See Installation and Operating Instructions manual for details.**

Fig. # 4



6. Position the slots of the grate securing brackets over the holes in the floor shield and secure with the two screws (Fig. # 5).

Fig. # 5



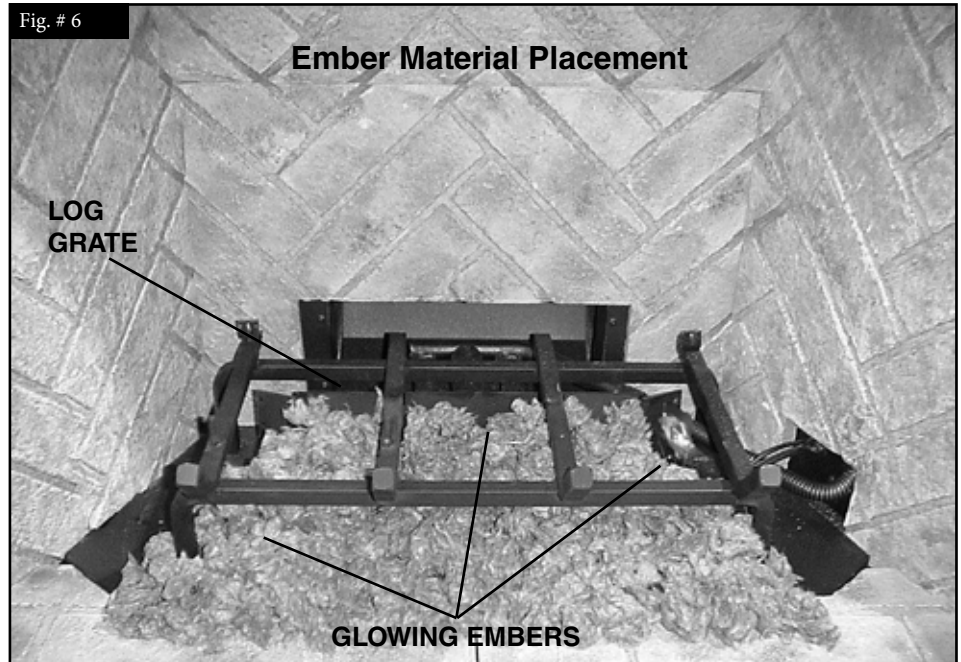
## Ember Material

A large bag of ember material is shipped with the fireplace and needs to be installed on the burner to ensure optimum performance and flame appearance.

1. Pull apart the material into ember size pieces (approximately 1" square) and gently place them into the burner pan. Do not compress, leave them loose for best performance.
2. Fill the burner pan level with the top of the pan at rear, and gradually sloping forward down to the firebox floor at the front, covering both burner tubes.
3. Place remaining ember material outside of the burner pan as desired to cover-up gas lines and brackets.

**Note: Ember material placement and amount will affect flame appearance. More ember material results in lower flame height. Add or remove as needed until desired flame affect.**

Fig. # 6



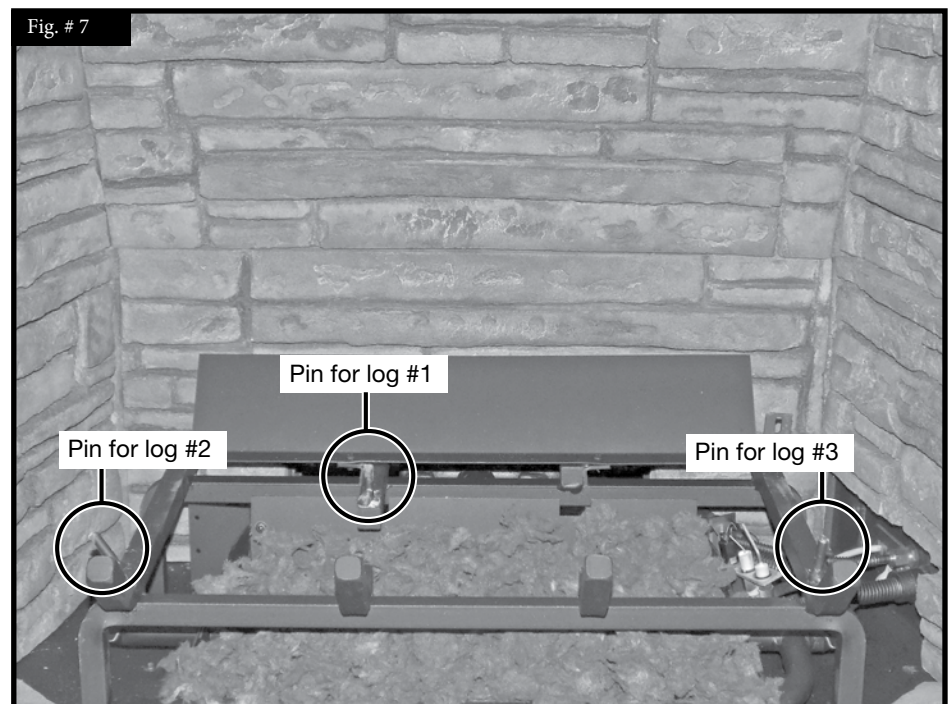
## Log Set Assembly

Gas plumbing and vent connections should be completed before proceeding.

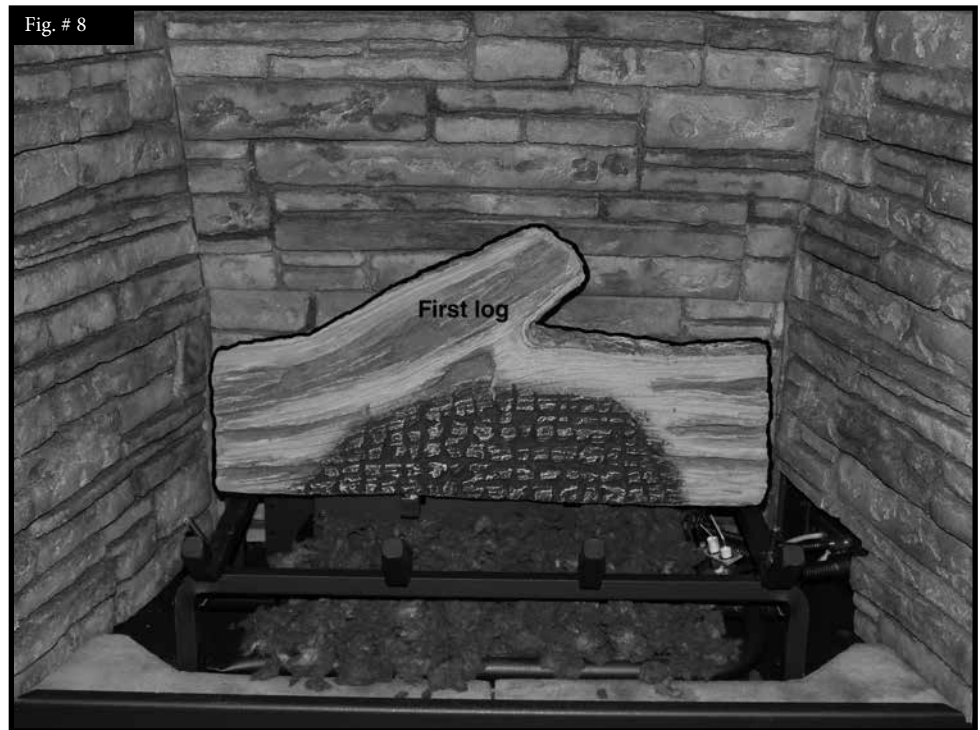
The logs are fragile and should be handled with care. Unpack and inspect log set. There should be a total of 7 logs. Position the logs as indicated by the following pictures.

The first 3 logs have slots in the undersides which will go over the 3 position pins as shown in Fig. 7.

Fig. # 7



Place the first log so that the slot on the underside of the log fits over the # 1 positioning pin (See Fig #7). The right side of the log can be swivelled so that the base of the log is parallel to the log grate.



Place the 2nd log so that the slot on its underside fits over the #2 positioning pin (See Fig #7). Swivel the right hand side of the log so that it touches the 2nd grate finger.

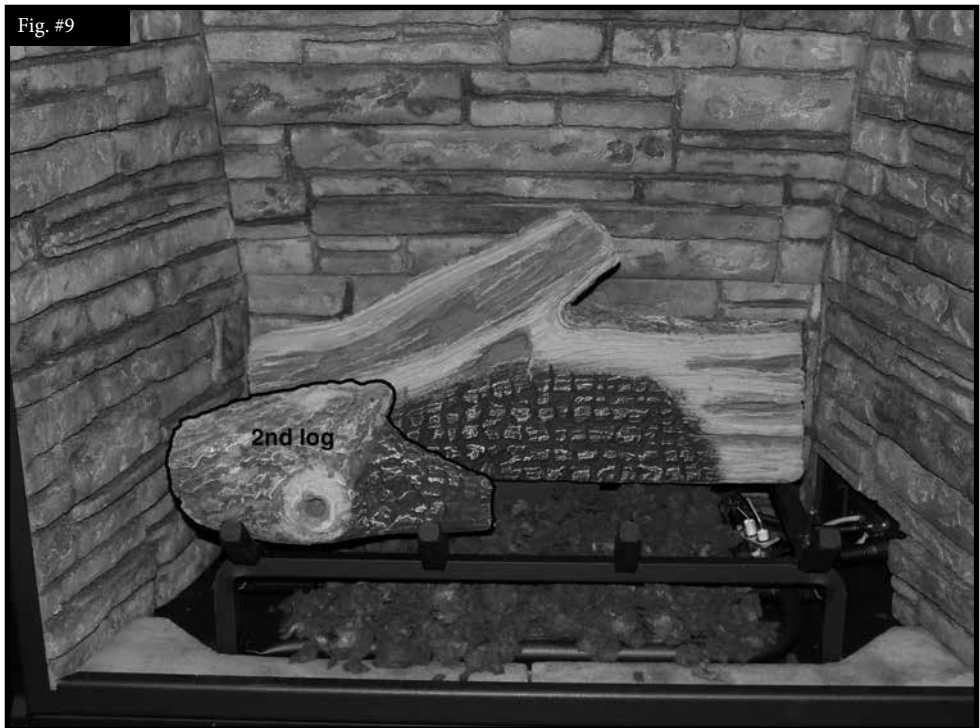


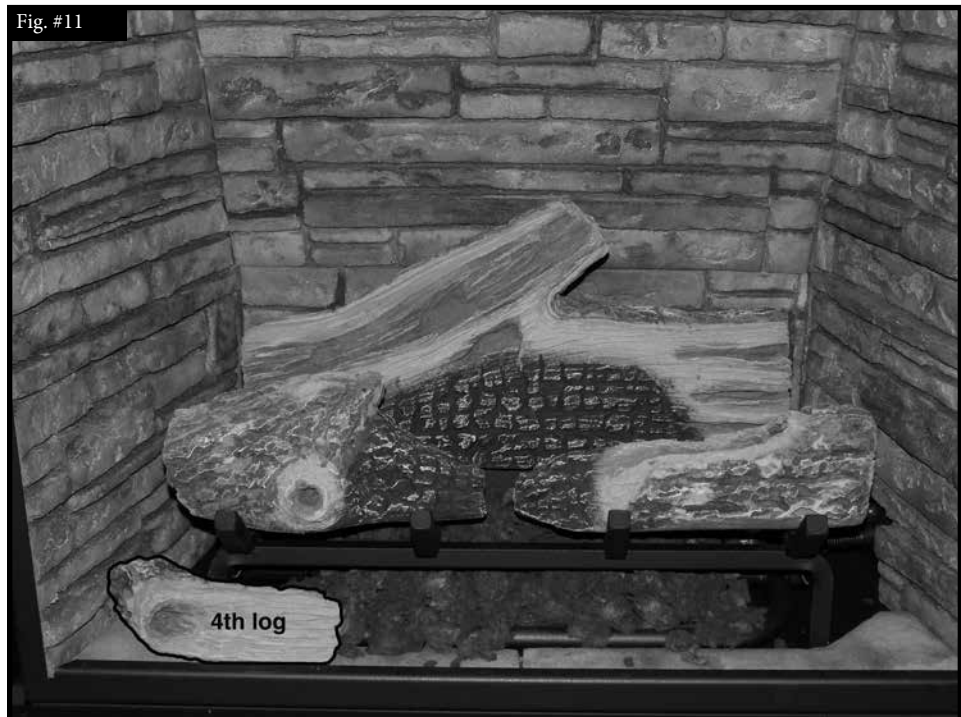
Fig. #10

Place the 3rd log so that the slot on its' underside fits over top of the # 3 pin (See Fig #7). Swivel the left hand side of the log so that it comes to rest up against the log grate finger.



Position the #4 log in the lower left / front corner of the firebox. The left side of the log should just touch the left firebox panel and the front of the log should be up close to the door frame.

Fig. #11



Position the 5th log so that it covers the line created by the two front floor panels.



Rest the right side of the 6th log so that it is on top of the 5th log as shown in Fig #13







Position the 7th log so that it rests on top of the pilot assembly and fits underneath and behind the 3rd log.

**Note: Improper placement of logs will cause sooting on internal parts and glass.**

# Propane Conversion

## WARNING

This conversion kit shall be installed by a qualified service agency in accordance with the manufacturer's instructions and all applicable codes and requirements of the authority having jurisdiction.

If the information in these instructions is not followed exactly, a fire, explosion or production of carbon monoxide may result causing property damage, personal injury or loss of life.

The qualified service agency is responsible for the proper installation of this kit.

The installation is not proper and complete until the operation of the converted appliance is checked as specified in the manufacturer's instructions supplied with the kit.

If the unit is to be used on propane convert as follows using the components supplied with this burner:

## CAUTION

The gas supply and electrical power shall be shut off before proceeding with the conversion.

This appliance was converted to propane gas	
Kit Number	<b>PACIFIC ENERGY</b>
dd / mm / yy	5052.52001-B
Company	conversion a été correctement faite.
Address	responsabilité que cette conversion a été correctement faite.
The above accepts the responsibility that this conversion has been properly performed.	l'entreprise désignée ci-dessus accepte la responsabilité que cette conversion a été correctement faite.
5052.52001-B	Adresse
<b>PACIFIC ENERGY</b>	Firme
Cet appareil a été converti en gaz propane	a / m / j
	Numéro d'assemblage
	5052.52001-B

CONVERSION LABEL (5052.52001-B)

Note: Factory supplied components must be used to ensure correct input.  
After conversion confirm proper manifold pressure.

1. Ensure the burner, pilot and gas supply are turned off, and the appliance has cooled.
2. Remove the two screws securing the the burner grate. (Fig. #15)
3. Remove the two screws securing the manifold assembly to the burner. (Fig. #16)
4. Remove the manifold assembly from the burner. (Fig. #17)

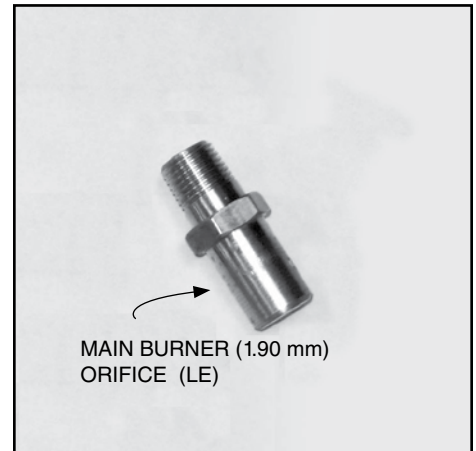


Fig #15

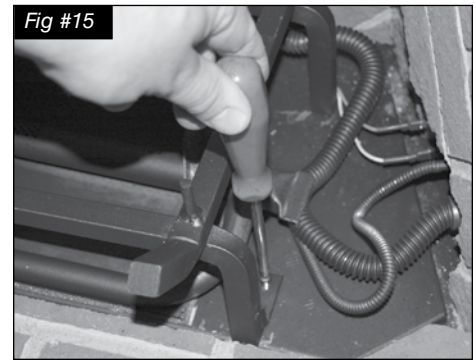


Fig #16

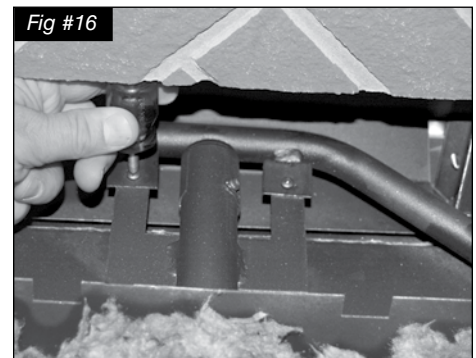
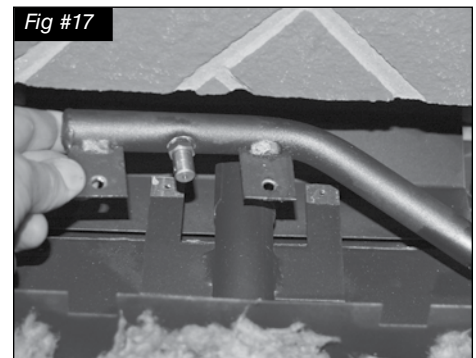
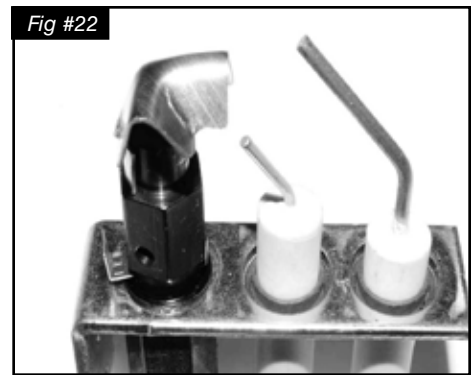


Fig #17





5. With a ½" wrench remove the natural gas orifice (#32) and replace with propane orifice (1.9mm)(marked "LE") (Fig. #18)
6. Fully open the primary air shutter.
7. Reinstall the manifold and air deflector



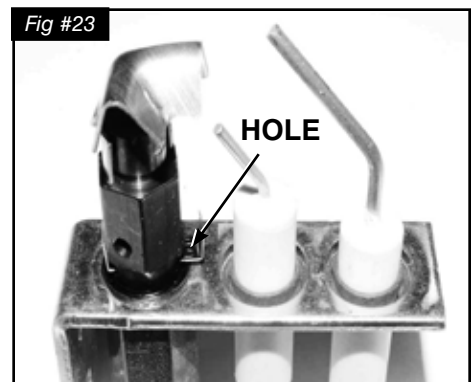
9. Slide the pilot adjustment band over and ensure that the hole in the orifice band is showing. (Fig. #22 shows NG position, Fig. # 22 shows LP position) Retighten pilot head.



**NOTE: Primary air shutter must be fully closed for Natural gas or fully open for Propane.**



8. With a 7/16" wrench loosen the pilot head on the pilot assembly by a half-turn (Fig. #22)



10. Remove right hand brick panel (if installed) and access panel located on right hand side of firebox (See Fig. #28).



11. Fill in the conversion label. Peel off the protective backing and apply the conversion label directly over the gas specifications on the rating label.

**For complete valve installation instructions, refer to the instruction book included in the SIT conversion kit.**

# Gas Pressure Check

**Note:** To test the gas pressure, turn off the gas supply before removing the plug from the supply pressure test port or manifold pressure test port.

Verify gas pressures with the fireplace lit and on the highest setting.

Fig #24



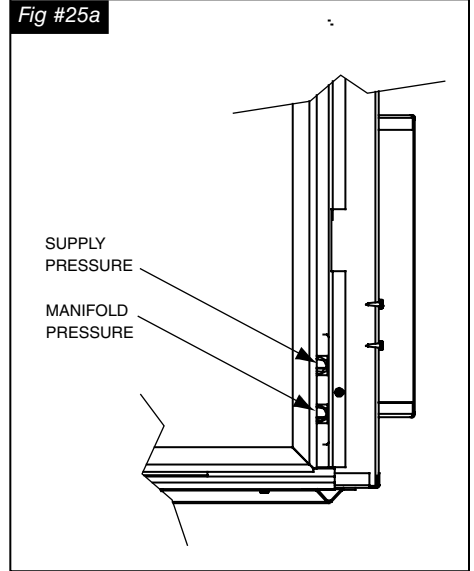
1. Remove the plug from the pressure test port. The plug is located between the right side lintel and firebox side (bottom port). (Fig. #24)

Fig #25



2. Thread the extension test fitting into the open test port. (Fig. #25)
3. Attach a pressure gauge onto the fitting.
4. When testing is complete remove the extension test fitting and replace the plug. Thread sealant will be required to ensure a gas tight connection.

Fig #25a



## Correct gas pressure requirement:

Supply Pressure	Natural Gas	Propane
<b>Min. Pressure</b> (For purpose of input adjustment)	5.0" WC	12.5" WC
<b>Max. Pressure</b>	13.9" WC	13.9" WC
<b>Manifold Pressure</b>		
<b>Maximum</b>	3.5" WC	10" WC
<b>Minimum</b>	1.6" WC	6.4" WC

# Burner Flame Adjustment

The air shutter on the burner tube controls the primary combustion air to the gas burner and is preset at the factory for natural gas fuel. Some adjustment may be necessary to obtain desired flame and to eliminate carbon deposits. Evaluate flame appearance after the fireplace has reached operating temperature. See Fig. #26 for proper flame pattern.

Open primary air shutter if the logs, glass, and firebox have carbon accumulation and/or the flames are long, dark and stringy. The shutter may also be opened to enhance the ember material glow and lessen the flame height.

For Propane, start with the air shutter fully open and adjust to decrease air if needed.



## Caution:

**Proper air shutter setting is a must.**

The flame should be just orange and “lazy”.

It should **NEVER** be set to create sooting on internal parts and glass.

## Caution: Burner area may be hot!

**Turn off the fireplace and allow the unit to cool before proceeding.**

To Adjust:

1. Open and remove window frame and set aside. See “Window Frame Removal” section found in the Installation and Operating Instructions manual.
2. Remove the logs and set aside.
3. Remove air deflector from log grate (2 screws)
4. Loosen the Primary Air Shutter screw.
5. Rotate the shutter to increase or decrease the amount of primary air.
6. Reassemble in reverse order.

# Replacement Parts

(WHEN ORDERING, INCLUDE PART NUMBER WITH DESCRIPTION)

ITEM.....DESCRIPTION.....PART NO.

#1.....CHALET BURNER ASSEMBLY.....22150005

#2.....7 PCS CHALET II LOG SET.....5094.302642

#3.....ORIFICE, NATURAL GAS (#32).....5021.332.A

ITEM.....DESCRIPTION.....PART NO.

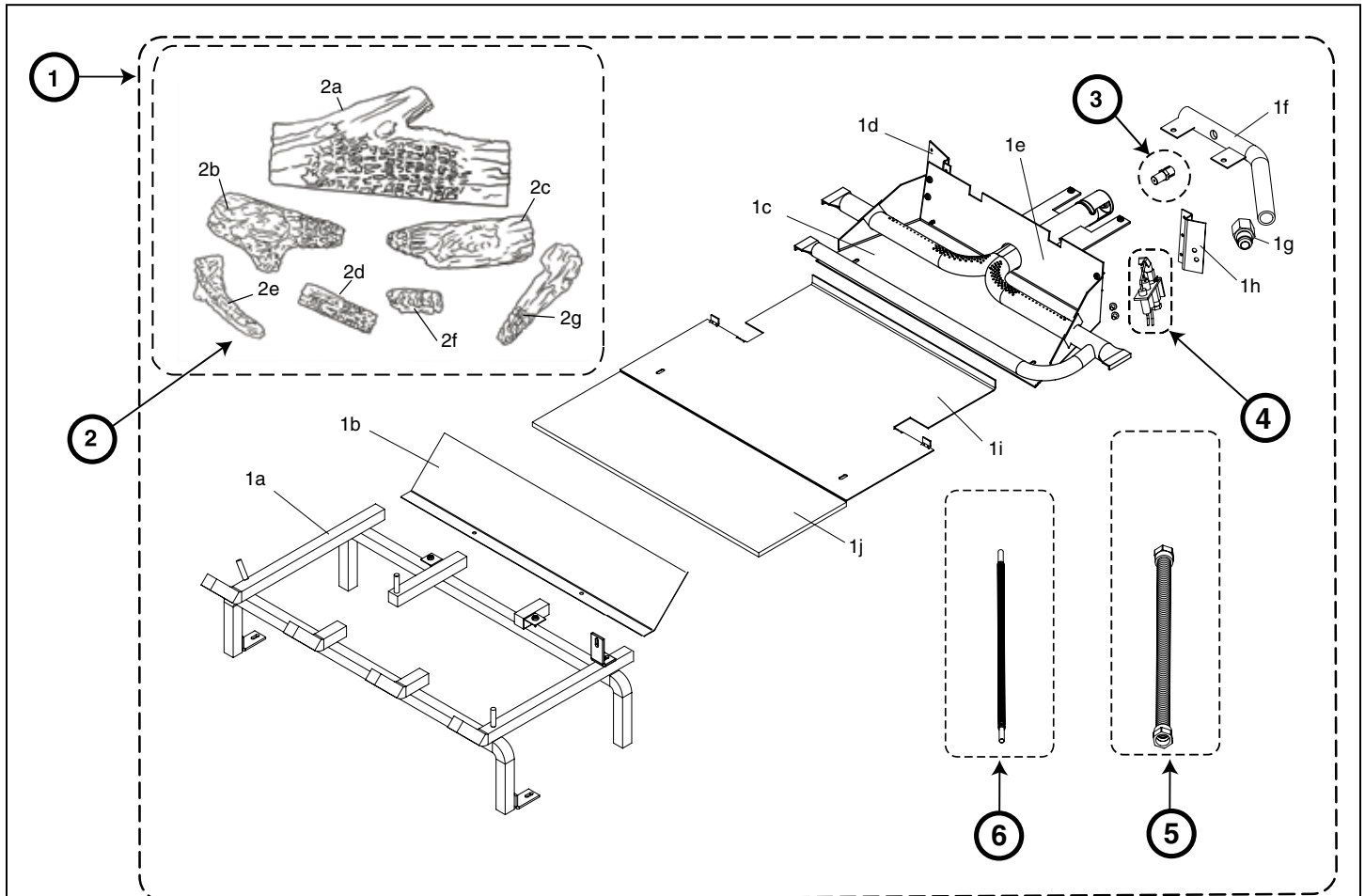
#4.....PILOT ASSEMBLY.....TCRP.5005025

#5.....MAIN SUPPLY TUBE.....5019.223

#6.....PILOT TUBE.....5019.225

\*#7.....PROPANE CONVERSION KIT.....TC30.DLPKIT

\*NOT SHOWN



## KIT CONTENTS:

### #1.... BURNER ASSEMBLY

- 1a GRATE
- 1b AIR DEFLECTOR
- 1c BURNER TRAY
- 1d PILOT SHIELD
- 1e BLOCKER PLATE
- 1f MANIFOLD
- 1g 1/2 PIPE TO 1/2 TUBE CONNECTION
- 1h PILOT BRACKET
- 1i HEAT SHIELD
- 1j HEAT SHIELD INSULATION

### #2.... 7 PCS LOG SET

- 2a BASE LOG
- 2b TOP LEFT LOG
- 2c TOP RIGHT LOG
- 2d CENTER CHUNK
- 2e BOTTOM LHS CHUNK
- 2f BOTTOM CENTER CHUNK
- 2g BOTTOM RHS CHUNK

### #3.... ORIFICE, NATURAL GAS (#32)

### #4.... PILOT ASSEMBLY, CONVERTIBLE

### #5.... MAIN SUPPLY TUBE

### #6.... PILOT TUBE



© 2016 Copyright Pacific Energy Fireplace Products LTD

Reproduction, adaptation, or translation  
without prior written permission is prohibited,  
except as allowed under the copyright laws.



**For technical support, please contact your retailer.**

**Web site: [www.townandcountryfireplaces.net](http://www.townandcountryfireplaces.net)  
2975 Allenby Rd., Duncan, BC V9L 6V8**