

INSTALLATION MANUAL

INSTALLER: Leave this manual with the appliance.
CONSUMER: Retain this manual for future reference.

WARNING: If the information in these instructions is not followed exactly, a fire or explosion may result causing property damage, personal injury or death.

FOR YOUR SAFETY

Installation and service must be performed by a qualified installer, service agency or the gas supplier.

What To Do If You Smell Gas

- Do not try to light any appliance.
- Do not touch any electrical switch
- Do not use any phone in your building.
- Immediately call your gas supplier from a neighbour's phone. Follow the gas supplier's instructions.
- If you cannot reach your gas supplier call the fire department.

Do not store or use gasoline or other flammable vapors and liquids in the vicinity of this or any other appliance.

This appliance may be installed in an aftermarket permanently located, manufactured home (USA only) or mobile home, where not prohibited by local codes.

This appliance is only for use with the type of gas indicated on the rating plate. This appliance is not convertible for use with other gases, unless a certified kit is used.

This appliance is suitable for installation in a bedroom or bed sitting room.



TOWN & COUNTRY
L U X U R Y F I R E P L A C E S

TCWS54D SEE THRU - Version 2 INSTALLATION MANUAL



MODEL TCWS54DST SERIES: D

DIRECT VENTED DECORATIVE GAS APPLIANCE

This is a decorative product and is not intended to be used as a heating appliance.


Visit www.townandcountryfireplaces.com for the most recent version of this manual

Table of Contents

Caution	3	TCVT.PV Power Vent Installation	22
Safety	3	Venting Configurations	23
Important Note for the Commonwealth of Massachusetts	4	Venting Length	23
Fireplace Dimensions	5	Minimum Vent Length Chart	24
Minimum Clearances to Combustible Material	5	Vent Terminal Minimum Clearances	24
Installation Requirements	6	Venting Components	25
Manufactured (Mobile) Home	6	Vent Pipe Sealant	26
Door Frame Removal	6	Propane Conversion	27
Standoffs	7	Orifice conversion procedure.....	27
Locating The Fireplace	7	Accessing the gas valve for conversion.....	30
Framing and Finishing	8	Gas Pressure Check Procedure	33
Steel Stud Framing Kit	11	Firebox Panels Installation	34
Fixed Lintel	13	Finishing Touch Trim Kit Installation	35
Framing Kit Adjustment.....	13	Burner Flame Adjustment	37
Fireplace Facing Allowance	15	Maintenance	38
Hearth Extension	15	Glass Panel:	38
Electrical	16	Annual Inspection:.....	38
Installation	16	Periodically:.....	38
Wall Switch and Remote Control	19	Replacement Parts - TCWS.54DST	39
Linking the remote control unit to the wall switch.....	19	Replacement Parts - Tranquility Burner	40
Selecting Natural Vent and Power Vent Modes	19	Replacement Parts - Diamond Burner	41
Home Automation	20	Replacement Parts - Valve Control System	42
Gas Supply	21	Wiring Diagram	43
Venting	22	Rating Label	44


If converting to propane see “Propane Conversion” on page 28 before proceeding.

NOTE: For purposes of clarity, the “Front” of the fireplace shall be the side which has access to the electrical connection compartment cover, the connection to the gas valve and the side which places the control compartment cover and the coaxial vent located on top of the fireplace to your left.



DANGER

HOT GLASS WILL CAUSE BURNS.



DO NOT TOUCH GLASS UNTIL COOLED.

NEVER ALLOW CHILDREN TO TOUCH GLASS.

A barrier designed to reduce the risk of burns from the hot viewing glass is provided with the appliance and shall be installed for the protection of children and other at-risk individuals.

Caution

FOR YOUR SAFETY - Do not install or operate your Town & Country fireplace without first reading and understanding this manual. Any installation or operational deviation from the following instructions voids the Town & Country Fireplaces Warranty and may prove hazardous.


This appliance and its individual shut off valve must be disconnected from gas supply piping system during any pressure testing of that system at test pressures in excess of 1/2 psig (3.5 kPa).

This appliance must be isolated from the gas supply piping system by closing its individual manual shut off valve during any pressure testing of the gas supply piping system at test pressures equal to or less than 1/2 psig (3.5 kPa).

Note: When lit for the first time, the appliance will emit a slight odour for a couple of hours. This is due to the curing of paints, sealants and lubricants used in the manufacturing process. This condition is temporary. Open doors and windows to ventilate area. Smoke and fumes caused by the curing process may cause discomfort to some individuals.

Do not use the fireplace if any part has been under water. Immediately call a qualified service technician to inspect the fireplace and to replace any part of the control system and any gas control which has been under water.

We recommend that our gas hearth products be installed and serviced by professionals who are certified in the United States by the National Fireplace Institute® (NFI) as NFI Gas Specialists

	<p>WARNING: This product can expose you to chemicals including ceramic fibers, which are known to the State of California to cause cancer, and carbon monoxide, which is known to the State of California to cause birth defects or other reproductive harm.</p> <p>For more information go to www.P65Warnings.ca.gov.</p> <p>This warning is applicable to all Pacific Energy Fireplace Products</p>
---	--



Safety

Due to high temperatures, this gas appliance should be located out of traffic and away from furniture and draperies.

Children and adults should be alerted to the hazards of high surface temperatures and should stay away to avoid burns or clothing ignition.

Young children should be carefully supervised when they are in the same room as the appliance. Toddlers, young children, and others may be susceptible to accidental contact burns. A physical barrier is recommended if there are at-risk individuals in the house. To restrict access to a fireplace or stove, install an adjustable safety gate to keep toddlers, young children, and other at-risk individuals out of the room and away from hot surfaces.

Clothing or other flammable material should not be placed on or near the appliance.

Any grill, panel or door removed for servicing the unit must be replaced prior to operating. Failure to do so may create a hazardous condition.

Installation and repair should be done by a qualified service person. The appliance should be inspected before use and at least annually by a professional service person. More frequent cleaning may be required due to excessive lint from carpeting, bedding material, etc. It is imperative that control compartments, burners and circulating air passageways of the appliance be kept clean.

It is our policy that no responsibility is assumed by the Company or by any of its employees or representatives for any damages caused by an inoperable, inadequate, or unsafe condition which is the result, either directly or indirectly, of any improper operation or installation procedures.

This appliance must not be connected to a chimney flue serving a separate solid fuel burning appliance.



— Important Note for the Commonwealth of Massachusetts —

From Massachusetts Rules and Regulations 248 CMR 5.08:

- (a) For all side wall horizontally vented gas fuelled equipment installed in every dwelling, building or structure used in whole or in part for residential purposes, including those owned or operated by the Commonwealth and where the side wall exhaust vent termination is less than seven (7) feet above finished grade in the area of the venting, including but not limited to decks and porches, the following requirements shall be satisfied.
1. **INSTALLATION OF CARBON MONOXIDE DETECTORS.** At the time of installation of the side wall horizontal vented gas fuelled equipment, the installing plumber or gas fitter shall observe that a hard wired carbon monoxide detector with an alarm and battery back-up is installed on the floor level where the gas equipment is to be installed, in addition, the installing plumber or gas fitter shall observe that a battery operated or hard-wired carbon monoxide detector with an alarm is installed on each additional level of the dwelling, building or structure served by the side wall horizontal vented gas fuelled equipment. It shall be the responsibility of the property owner to secure the services of qualified licensed professionals for the installation of hard-wired carbon monoxide detectors.
 - a. In the event that the side wall horizontally vented gas fuelled equipment is installed in a crawl space or an attic, the hard-wired carbon monoxide detector with alarm and battery back-up may be installed on the next adjacent floor level.
 - b. In the event that the requirements of this subdivision cannot be met at the time of completion of installation, the owner shall have a period of thirty (30) days to comply with the above requirements; provided, however, that during said thirty (30) day period, a battery operated carbon monoxide detector with an alarm shall be installed.
 2. **APPROVED CARBON MONOXIDE DETECTORS.** Each carbon monoxide detector as required in accordance with the above provisions shall comply with NFPA 720 and be ANSI/UL 2034 listed as IAS certified.
 3. **SIGNAGE.** A metal or plastic identification plate shall be permanently mounted to the exterior of the building at a minimum height of eight (8) feet above grade directly in line with the exhaust vent terminal for the horizontally vented gas fuelled heating appliance or equipment. The sign shall read, in print size no less than one-half (1/2) inch in size, "GAS VENT DIRECTLY BELOW. KEEP CLEAR OF ALL OBSTRUCTIONS"
 4. **INSPECTION.** The state or local gas inspector of the side wall horizontally vented gas fuelled equipment shall not approve the installation unless, upon inspection, the inspector observes carbon monoxide detectors and signage installed in accordance with the provisions of 248 CMR 5.089(2) (a) 1 through 4.
- (b) **EXEMPTIONS.** The following equipment is exempt from 248 CMR 5.089(2)(a) 1 through 4.
1. The equipment listed in Chapter 10 entitled "Equipment Not Required To Be Vented" in the most current edition of NFPA 54 as adopted by the Board; and
 2. Product Approved side wall horizontal vented gas fuelled equipment installed in a room or structure separate from the dwelling, building or structure used in whole or in part for residential purposes.
- (c) **MANUFACTURER REQUIREMENTS – GAS EQUIPMENT VENTING SYSTEM PROVIDED.** When the manufacturer of Product Approved side wall horizontally vented gas equipment provides a venting system design or venting system components with the equipment, the instructions provided by the manufacturer for installation of the equipment and the venting system shall include:
1. Detailed instructions for the installation of the venting system design or the venting system components; and
 2. A complete parts list for the venting system design or venting system.
- (d) **MANUFACTURER REQUIREMENTS – GAS EQUIPMENT VENTING SYSTEM NOT PROVIDED.** When the manufacturer of a Product Approved side wall horizontally vented gas fuelled equipment does not provide the parts for venting the fuel gases, but identifies "special venting systems", the following requirements shall be satisfied by the manufacturer.
1. The referenced "special venting system" instructions shall be included with the appliance or equipment installation instructions; and
 2. The "special venting systems" shall be Product Approved by the Board, and the instructions for that system shall include a parts list and detailed installation instructions.
- (e) A copy of all installation instructions for all Product Approved side wall horizontally vented gas fuelled equipment, all venting instructions, all parts lists for venting instructions, and/or all venting design instructions shall remain with the appliance or equipment at the completion of the installation.



Fireplace Dimensions

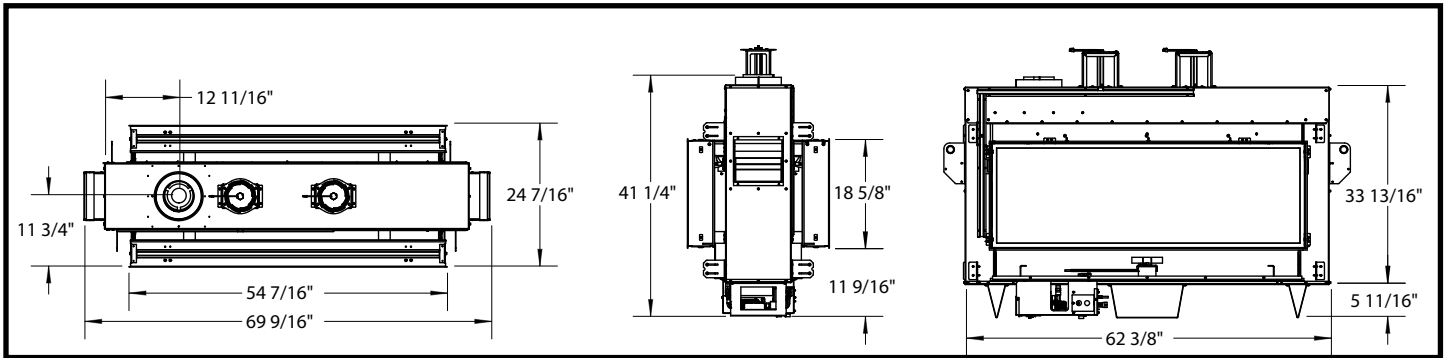


Figure 1: TCWS54D_ST Fireplace dimensions.

Minimum Clearances to Combustible Material

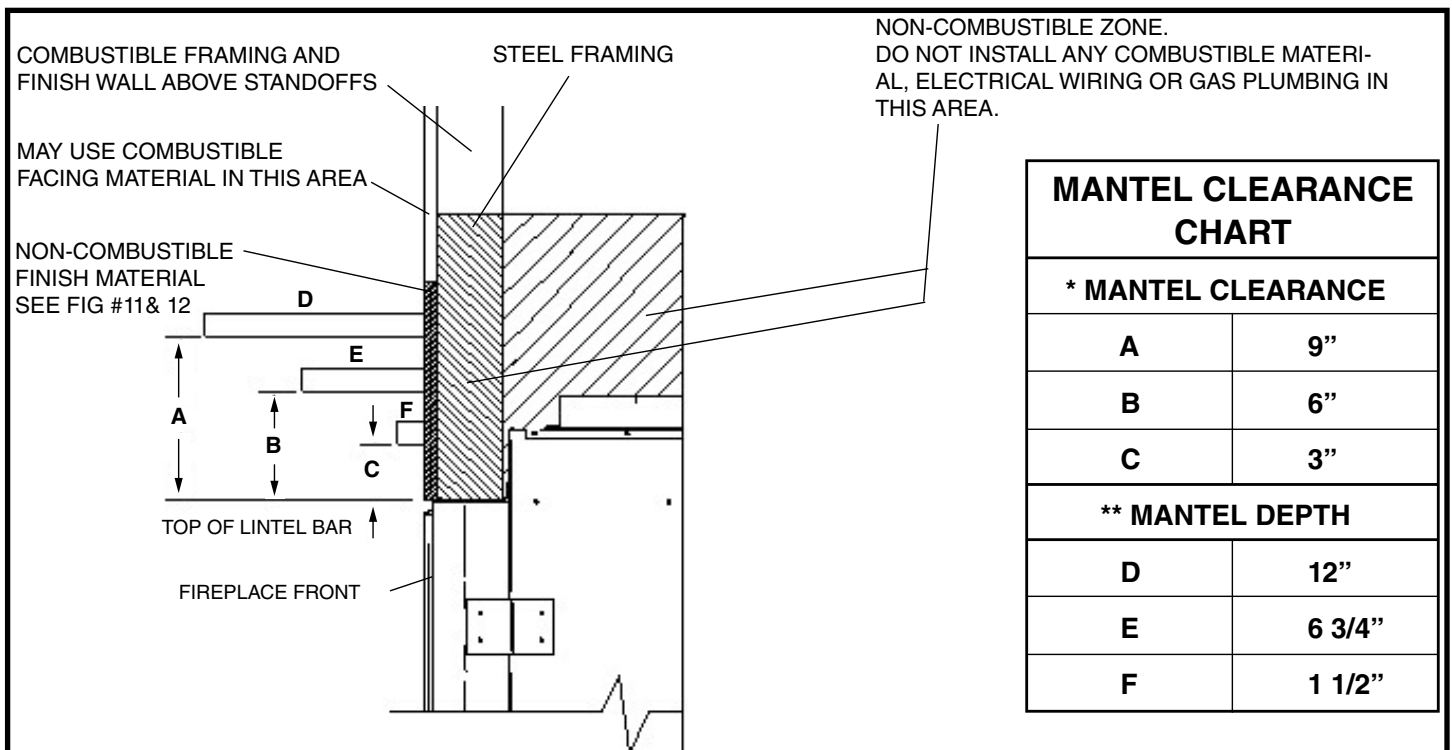


Figure 2: Clearances.

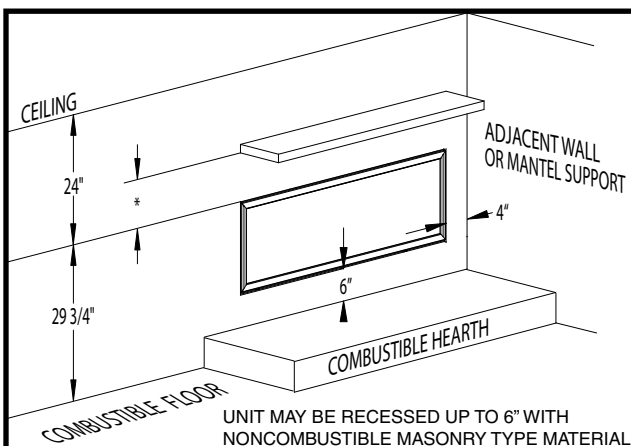


Figure 3: Minimum distances to combustibles.

Minimum Clearances:

Side standoffs	0 in.	(0 mm)
Back standoffs	0 in.	(0 mm)
Top standoffs	0 in.	(0 mm)
Bottom of appliance	0 in.	(0 mm)
Adjacent side wall	4 in.	(102 mm)
Ceiling to appliance	24 in.	(610 mm)
*Mantel to appliance	See Figure #2	
**Maximum Mantel extension	See Figure #2	
Mantel support	4 in.	(102 mm)
Vent pipe	1 3/4 in.	(45 mm)



Installation Requirements

The Town & Country Fireplace installation and venting must conform to the local codes or, in the absence of local codes, current CSA B149.1 installation code (in Canada) or the current National Fuel Gas Code, ANSI Z223.1/NFPA 54 (in the USA). Only qualified (licensed or trained) personnel should install this product.

In the state of Massachusetts, only a licensed Plumber and Gas Fitter may install this product.

Manufactured (Mobile) Home

In some jurisdictions, the Town & Country Fireplace may be installed in Manufactured Homes after the "first sale". Consult local codes for approval. The fireplace must be fastened in place.

Install in accordance with the current standard Mobile Homes, CAN/CSA Z240 MH (in CANADA), and the Manufacturer's Home Construction and Safety Standard, Title 24 CFR, Part 3280 or the current Standard for Fire Safety Criteria for Manufactured Home Installations, Sites and Communities ANSI/NFPA 501A (in the USA).

Door Frame Removal

Warning: Turn off the fireplace, and allow ample time for the unit to cool before proceeding.

Caution: The ceramic glass is very fragile, and should be handled with care.

The door frame is held in place by two spring-loaded latches that are operated by a one-piece latch handle.

1. Remove Safety Barrier Screen (Figure 4).
2. Remove the TC Finishing Touch Trim Kit from the door frame (If installed).
3. Using a screwdriver (Figure 5) or other similar object, push against the notch in the top of the latch and grab the bottom of the latch handle as it protrudes. Lift handle until latch hook disengages (Figure 6). Repeat for other side while holding glass so it does not tip out.
4. Tilt the top of the door frame out to clear the top edge of the unit. Grasp the sides of the frame and lift up and out to disengage from its bottom track.
5. Place the door frame in a safe place to avoid damage.
6. Re-assemble in reverse order. Latch handle should snap into place and be flush with door frame when engaged correctly.
7. Reinstall Trim Kit if required.
8. Reinstall safety barrier screen.

TIP:

To ensure glass is properly latched, grasp the top left and right sides of the glass frame, under moderate pressure it should pull forward and return to original position evenly on both sides.

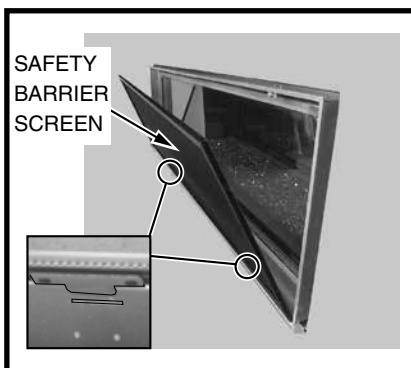


Figure 4: Safety screen removal.



Figure 5: Accessing handle.

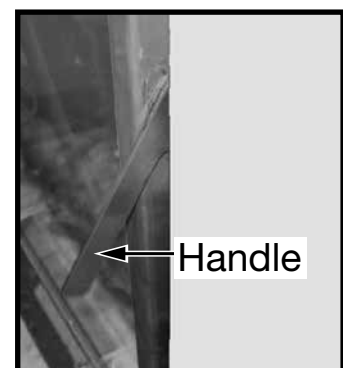


Figure 6: Handle.



Standoffs

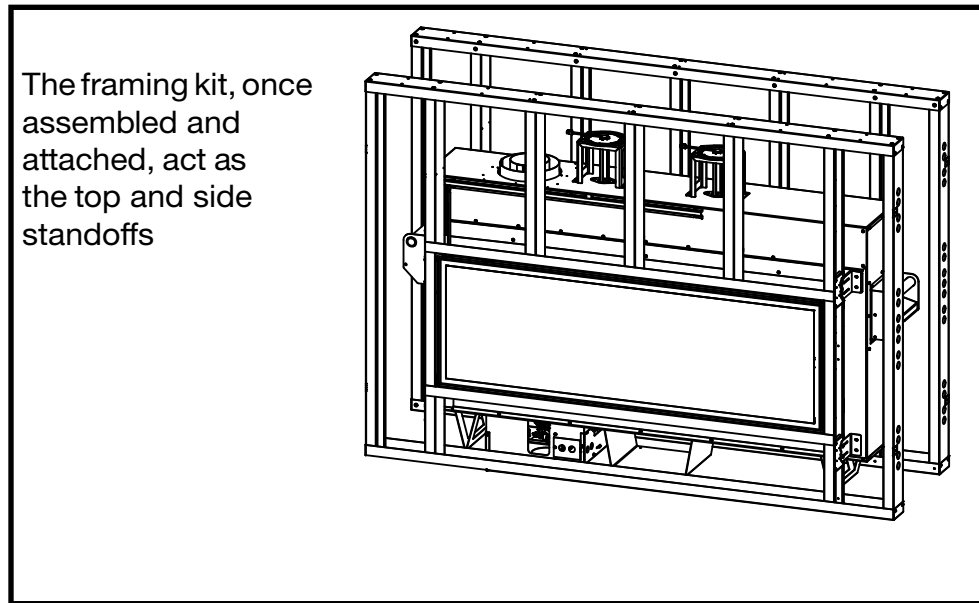


Figure 7: Assembled frame as stand-offs.

Locating The Fireplace

In planning the installation for the fireplace, it is necessary to determine where the unit is to be installed, location of vent system and where gas supply piping may be plumbed. Various types of installations are possible, such as, a peninsula wall, an island, and between two interior walls (Figure 8). Due to high temperatures, do not locate this fireplace in areas of high traffic or near furniture or draperies.

The minimum clearances from the fireplace to combustible surfaces must be adhered to and are shown in (Figure 2 and Figure 3).

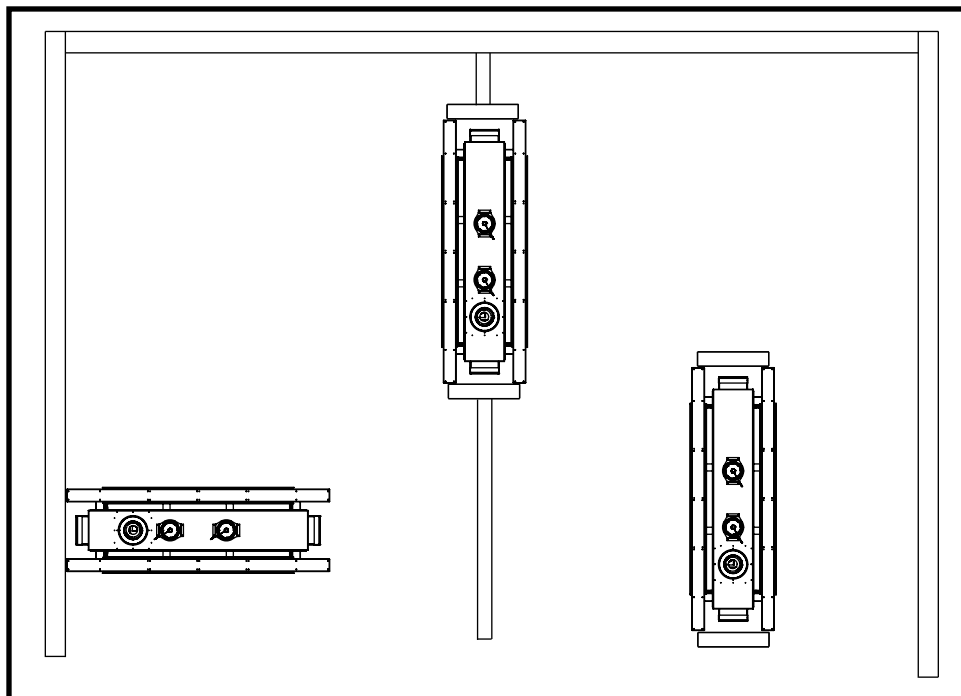


Figure 8: Location options.



Framing and Finishing

Note: The fireplace should be in place and venting installed before framing in or building an enclosure around the unit.

When the appliance is installed directly on carpeting, tile or other combustible material, other than wood flooring, the appliance shall be installed on a metal or wood panel extending the full width and depth of the appliance.

The Town & Country fireplace must be framed in as described below or totally enclosed with non-combustible material, such as facing brick.

Determine the total thickness of facing material to be used. A thickness of 3/4" will allow the finishing surface to be flush with the front of the unit. If preferred, additional masonry type non-combustible material can be installed above and to the sides up to 6 inches forward of the appliance.

The finishing material must not interfere with glass frame access.

A Steel Stud Framing Kit is supplied with the fireplace and must be used unless the fireplace is totally enclosed with

non-combustible material. Assemble the framing kit as per the instructions on pages 10–12 of this manual. Attach the steel frame to the fireplace once the fireplace is in its final position. Secure the steel frame to the framing brackets on each side of the unit. Ensure that the studs are set back far enough to allow for thickness of finishing surface.

The sides and top of the fireplace can be framed in up to the steel studs using conventional lumber. Consult local building codes for specific requirements.

Due to high temperatures, non-combustible backer board, such as cement board or its equivalent, must be used to sheet in the front of the fireplace, extending 12" above and 5 9/16" to the side of the framing edge bars. (Fig #11) Standard sheet rock (dry wall) may be used beyond this.

If the backer board is not to be finished with other non-combustible material such as tiles, it is recommended that top sections of the board be a single sheet of calcium silicate board or its equivalent. Taped and mudded joints may crack due to the elevated temperatures.

Chase Insulation:

When installing this fireplace against a non-insulated exterior wall or chase, it is recommended that the outer walls be insulated to same degree as other exterior walls. Do not place fireplace directly against the insulation. Cover the insulation and plastic vapour barrier with a solid surface, such as dry wall (sheet rock). Consult local codes. Do not insulate or use plastic vapour barrier within the framing kit.

CAUTION: See "Figure 11" on page 9 BEFORE PROCEEDING.

NOTE:

The chase must be properly sealed at the ceiling level or between floors in a multilevel installation.

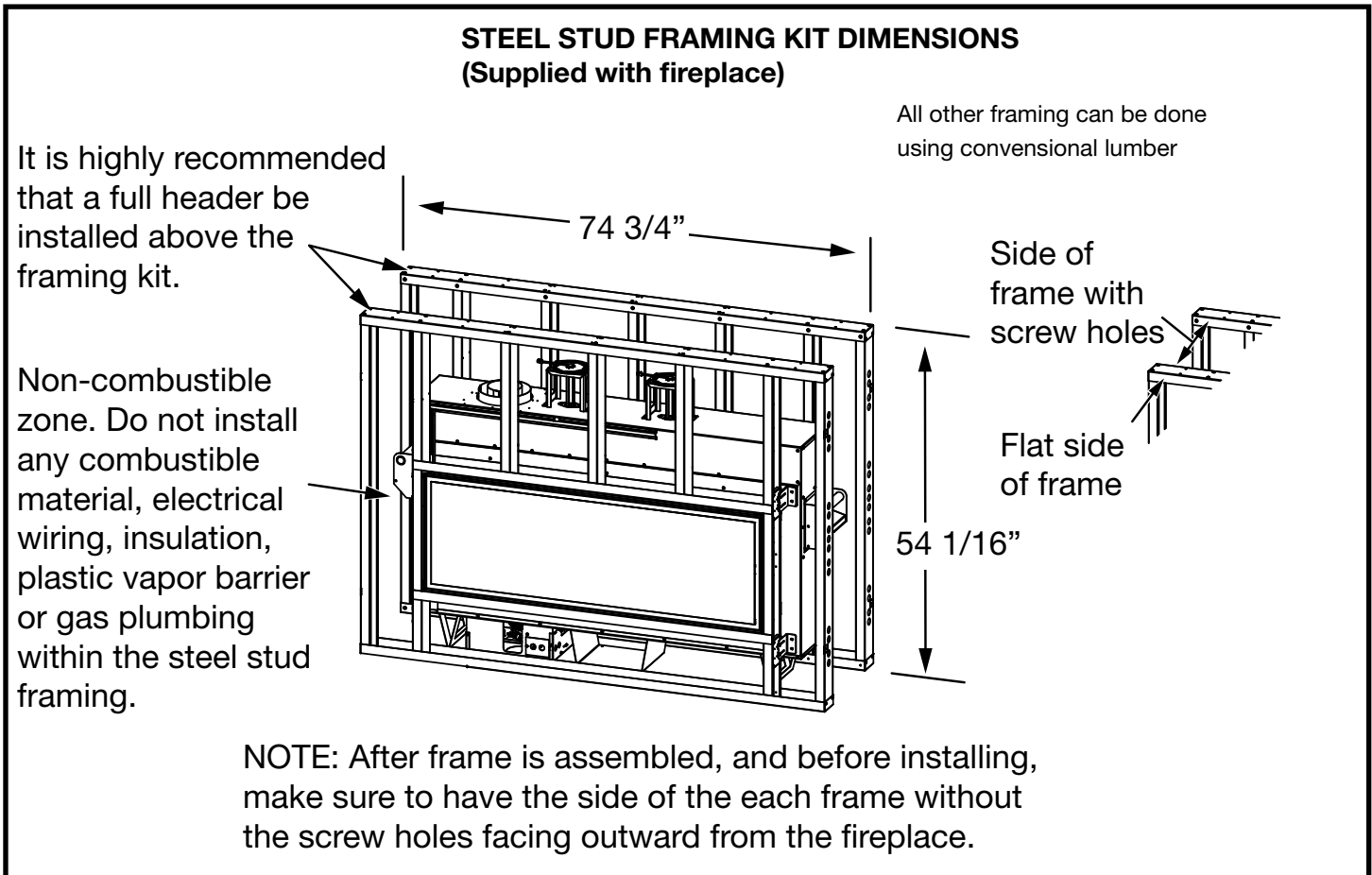


Figure 9: TCWS54DST Framing kit dimensions.

NON-COMBUSTIBLE BOARD DETAIL

NON-COMBUSTIBLE BOARD ONLY IN THESE AREAS

NON-COMBUSTIBLE MATERIAL MUST EXTEND TO THE TOP EDGE AND TO THE SIDE EDGE OF THE FRAMING KIT.

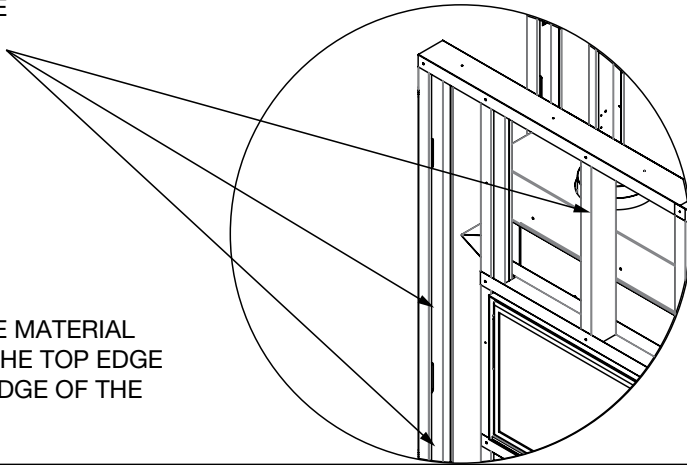


Figure 10: Non-combustible board location.

If finishing the wall above the unit with paint, the framing kit shipped with the unit should be discarded. Use full sheets of calcium silicate board or equivalent and full length metal studs to finish and frame around the unit.

Calcium silicate board is a high grade material with cement, quartz and natural minerals as the main raw materials. (Note: Calcium Silicate is 1/2" thick)

CAUTION: Calcium Silicate board can be damaged if dropped or struck. Handle with care. Inspect board prior to installation and do not use if cracked.

NOTE: It is recommended to pre-drill mounting holes in the board prior to securing to the framing. This will prevent the board from cracking.

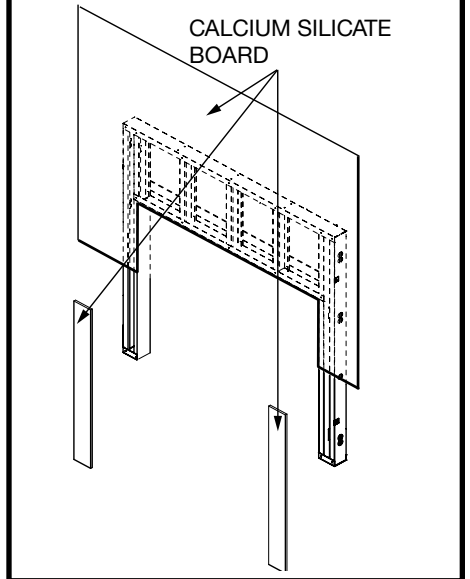


Figure 11: Calcium silicate board placement.

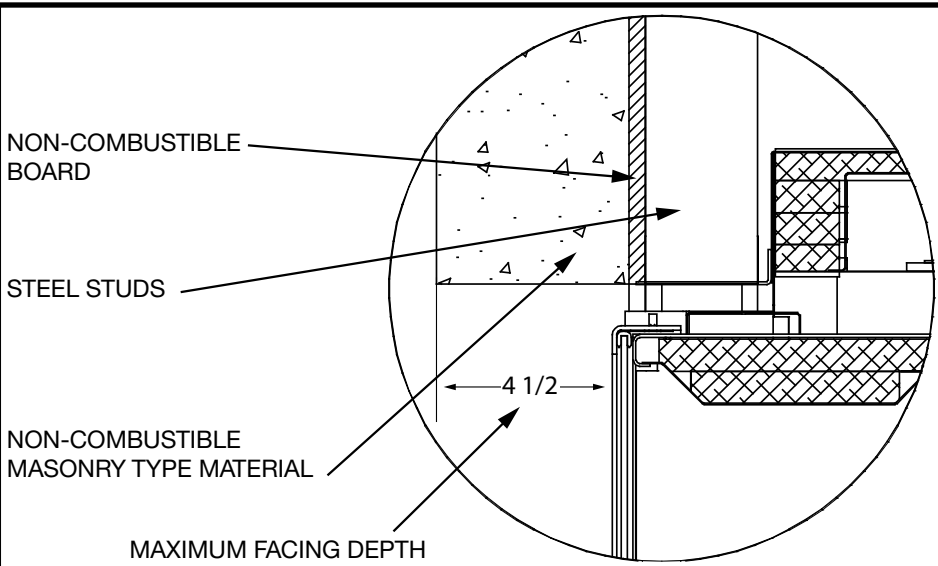


Figure 12: Non-combustible recessed installation detail.

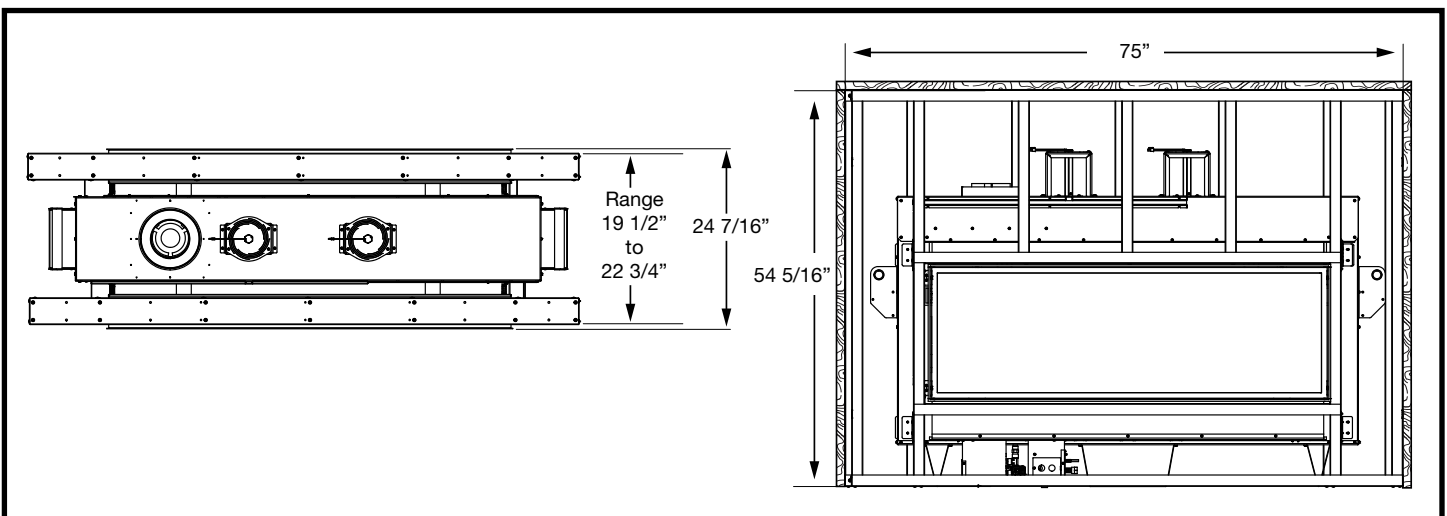


Figure 13: TCWS.54DST Minimum combustible framing dimensions.



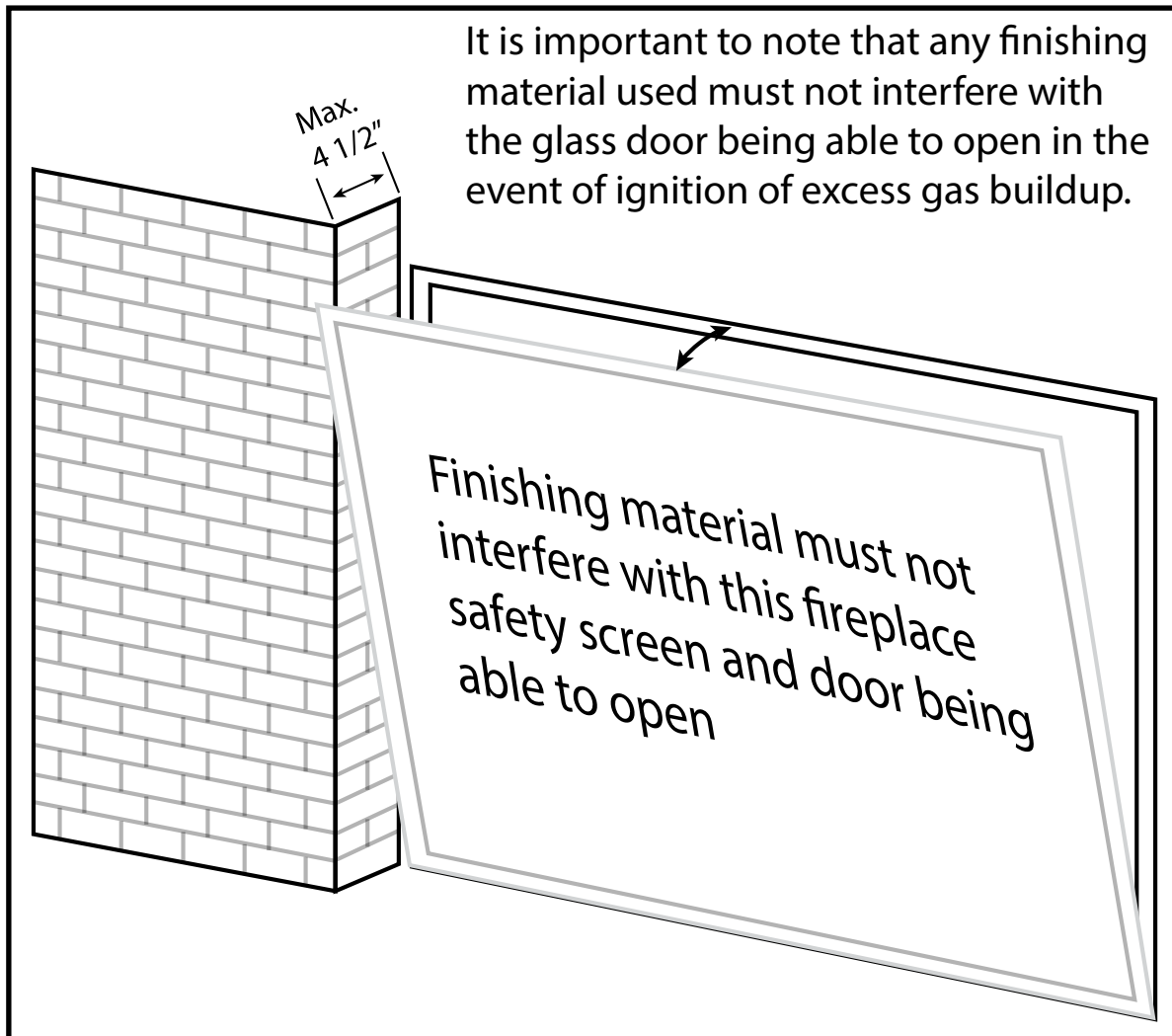


Figure 14: Recessed installation details.



Steel Stud Framing Kit

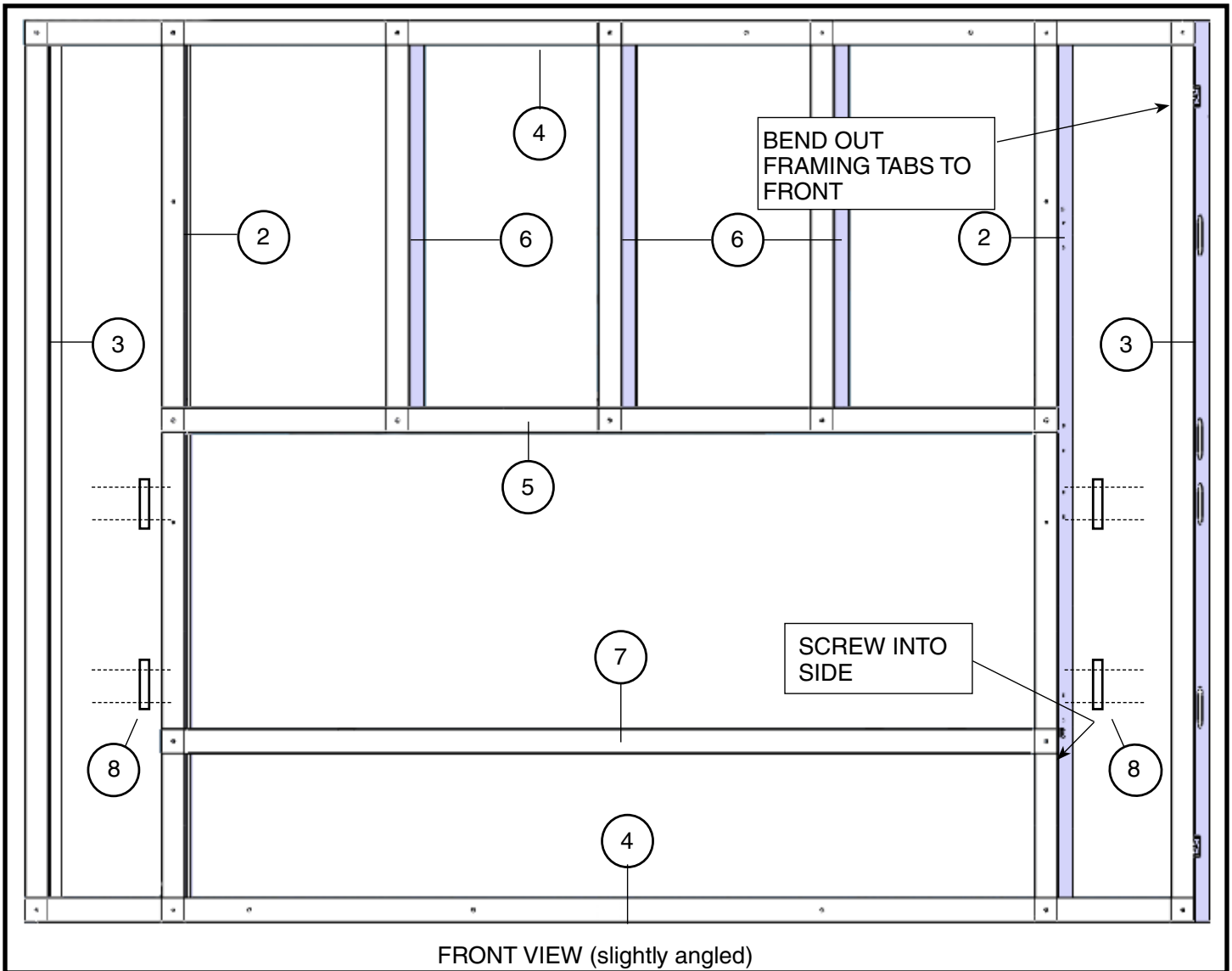


Figure 15: Framing kit components.

Each Kit Contains:

Item	Description	Qty.
1	SCREW, WAFER #8 x 1/2 (Not shown)	2 x Pkg 40
2	STUD, SIDES 54 1/16" L	4
3	STUD, OUTER SIDES 54 1/16" L	4
4	STUD, UPPER/LOWER 74 5/8" L	4

Item	Description	Qty.
5	INNER CROSS BRACE 56 5/8 L	2
6	STUD, CENTER 25" L	6
7	LOWER CROSS BRACE 56 5/8 L	2
8	FRAMING PLATE	8



NOTE: Sheet metal parts have sharp edges, use caution when handling.

Frame Assembly - Note: 2 identical frames will be assembled. One for each side of the fireplace (See Figure 15)

1. On a flat surface, place 2 upper/lower studs (#4). One is to become the top-most horizontal stud and one is to become the bottom-most horizontal stud. Stand all pieces up on their narrow ends throughout assembly.
2. Place 3 center studs (#6) perpendicular to, and below the above horizontal stud at the beams 3 middle-most securing points. Use wafer screws (1) to join the top side of the vertical pieces to the horizontal piece.
3. Position Inner Cross Brace (5) horizontally along the bottom ends of the 3 center studs (6) and fasten with wafer screws to the center-most 3 positions along the cross brace. Cross brace should be perpendicular with the center studs and horizontal to the upper beam.
4. Position Side Studs (2) at each end of the assembled frame so that the side studs are vertical and perpendicular to the upper beam and inner cross brace. Use wafer screws to fasten the side studs to the assembled frame.
5. Position the Lower Cross Brace (7) - screen tab slots side up - between the two side studs and about 12" from the lower ends of the side studs. Attach each end of the lower cross brace to the side studs with wafer screws.
6. Place the lower horizontal stud (4) at the bottom-most end of the frame. Attach the lower beam to the side studs leaving the ends of the lower horizontal stud extending out past the side studs so that it positioned in line with the upper horizontal stud.
7. Place and attach the two Outer Side studs at the ends of both the upper and lower beams and attach with wafer screws.
8. Once the top side of the frame is complete, turn it over so that the wafer screws can be used to fasten the other side of the frame.
9. Align the assembled frame to the unit framing brackets (8) (Figure 16). Secure the frame to the fireplace using two framing bracket screws through the access holes in the outer side studs (3).



Secure to Existing Framing

- Bend out the tabs 90 degrees before inserting the unit into its framed housing.
- Secure the frame assembly to the wood frame through the tabs (Figure 17).

Install Non-Combustible Board (not supplied)

- Use drywall screws to install the non-combustible board.



Figure 16: Framing bracket positioning.



Figure 17: Attach tab to wood framing.

Fixed Lintel

Framing Kit Adjustment

The lintel on the TCWS54D2 See Thru is in a fixed position on the fireplace and so there is no adjustment to move the lintel toward you or away from you once the fireplace has been located in its final position. Instead, the fireplace itself must be manoeuvred so that the front of the fireplace determines the final position.

The Framing Kit allows for a 1 7/8 inch adjustment along the Framing Brackets. Use this range to help determine the front of the facing material.

The thickness of the facing material, whether 1/2 inch calcium silicate board or a rock facing must be taken into consideration before settling on a final position of the fireplace.

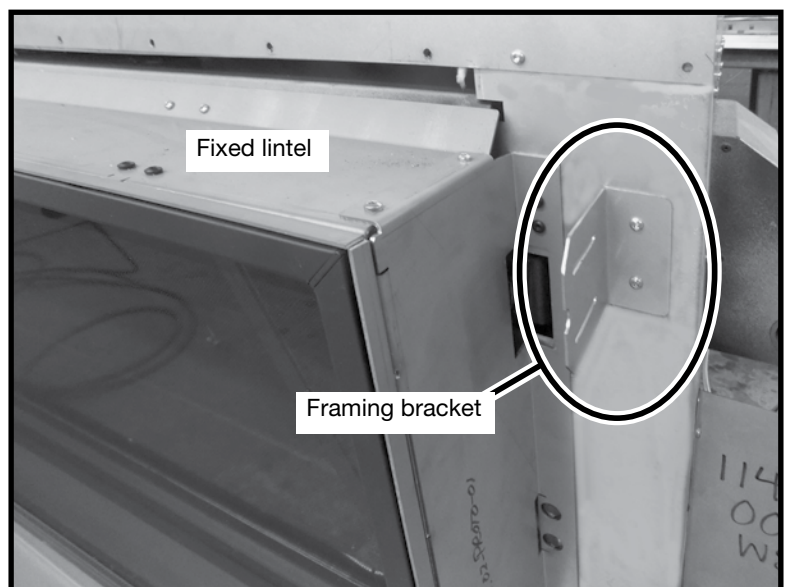


Figure 18: Fixed lintel and framing bracket.



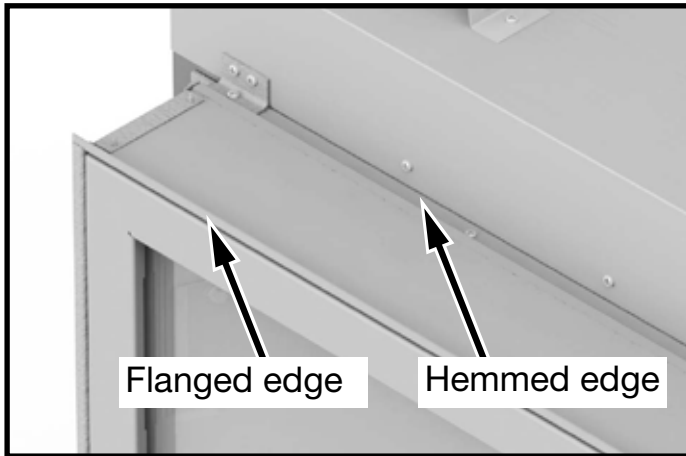


Figure 19: Optional lintel edge.

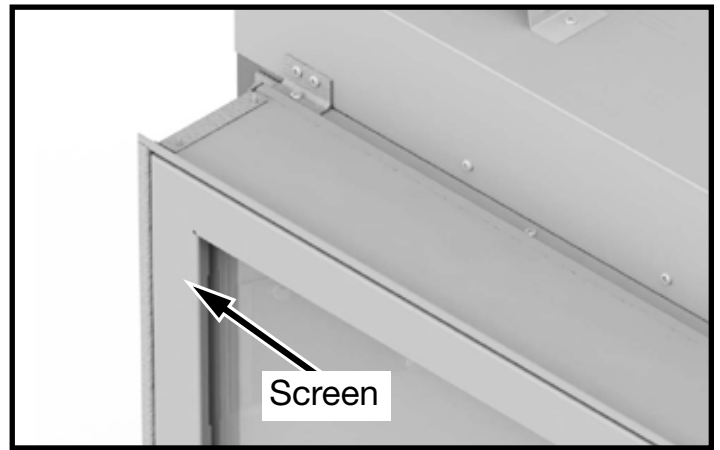


Figure 20: Safety barrier screen.

1. The fixed lintel has two orientations, a flanged edge and a hemmed edge (Figure 19). The lintel comes factory installed with the flange edge out. If the desired edge is different from the factory setting, use the following steps to change the lintel edge.
2. Remove the safety barrier screen (Figure 20) and remove the decorative door trim.
3. Loosen the securing bolts in the upper and lower corners on each side of the lintel (Figure 21) and remove the lintel. Remove the two safety screen magnets and secure them on the opposite side of the lintel (Figure 22).
4. Rotate the assembly to have the desired edge away from the fireplace.
5. Remount the lintel in the new position. Tighten the securing bolts.
6. Re-attach the door trim.
7. Reinstall safety barrier screen.

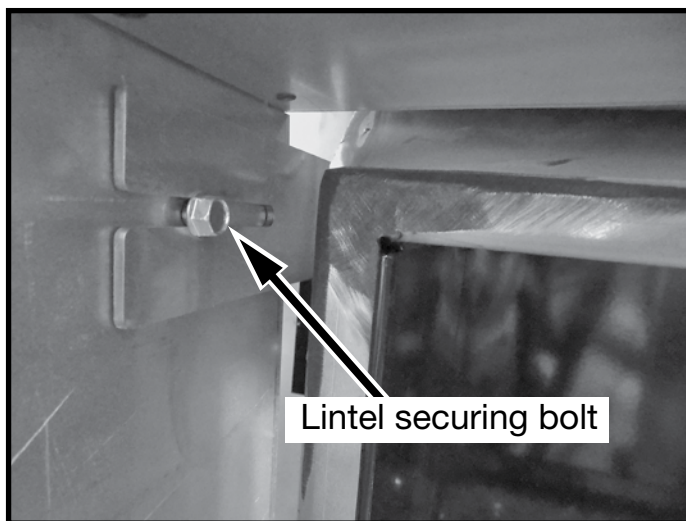


Figure 21: Lintel adjustment bolt.

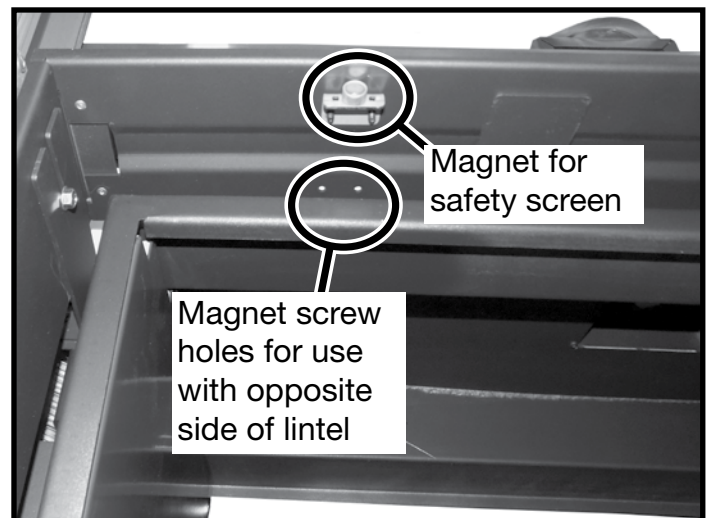


Figure 22: Magnet for safety screen.

Fireplace Facing Allowance

This fireplace is designed to finish either flush with the facing material or can be installed with a 4 1/2 inch recess. “Figure 12: Non - combustible recessed installation detail.” on page 9.

The fireplace can accommodate facing material up to a thickness of 1 7/8 of an inch if installing flush.

Care should be taken to correctly determine the facing material thickness so that the fireplace is positioned so that the front of the fireplace is flush with the facing material.

Facing material must not interfere with the ability for the door or the screen to open.

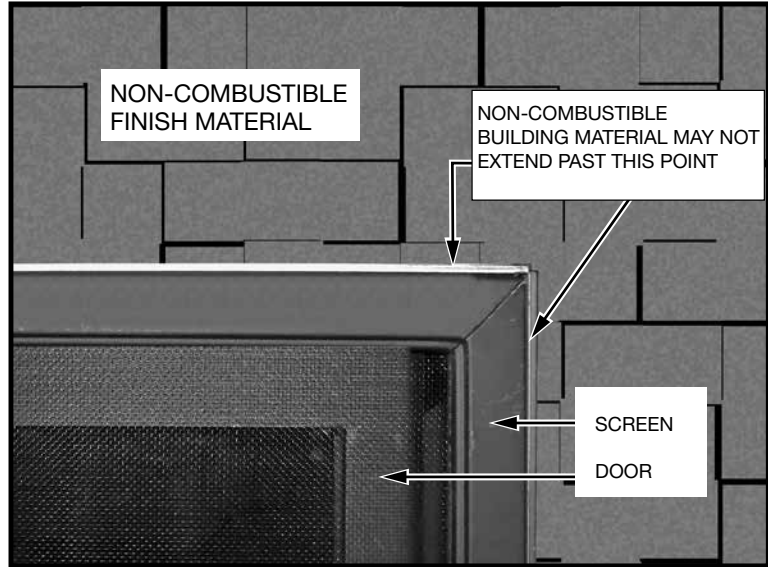


Figure 24: Facing edge location.

Hearth Extension

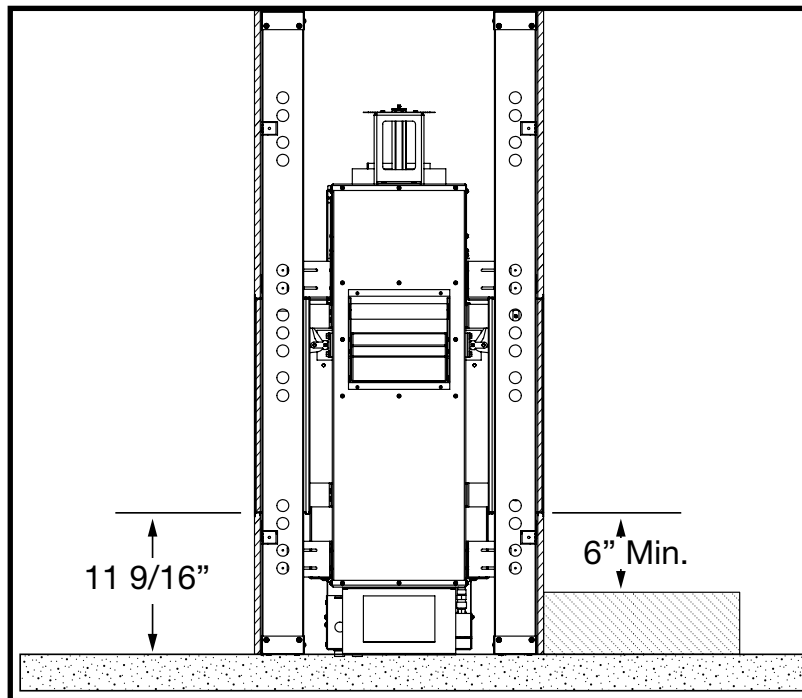


Figure 23: TCWS.54DST Hearth extension.

Caution:

While a hearth extension is not required and combustible flooring materials may be brought directly up to the base of the fireplace, many materials (such as wood flooring) may not tolerate the radiant heat from this fireplace, resulting in discoloration, shrinking and cracking. There must be a minimum clearance of 6” between the bottom of the glass door and the surface of a combustible hearth.

Caution: Any object higher than 11 9/16” will interfere with the door frame being able to open.



Electrical

NOTE: For purposes of clarity, the “Front” of the fireplace shall be the side which has access to the electrical connection compartment cover, the connection to the gas valve and the side which places the control compartment cover and the coaxial vent located on top of the fireplace to your left.

Note: Installation must be performed by a qualified installer, service agency or gas supplier.

The gas and electrical control system is located below the firebox floor on the left hand side of the fireplace. The fireplace is operated via a wall control and a hand held remote control unit.

The wall control is connected to the fireplace by a 40 ft. communication cable supplied with the fireplace.

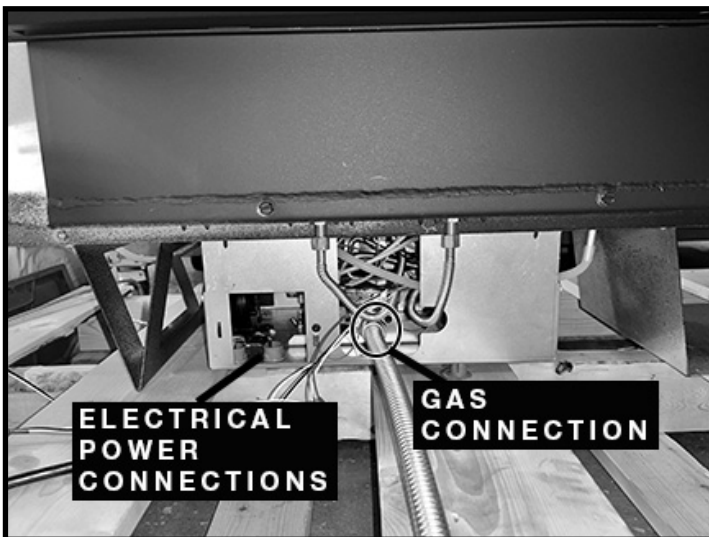


Figure 25: Gas and electrical connection location.

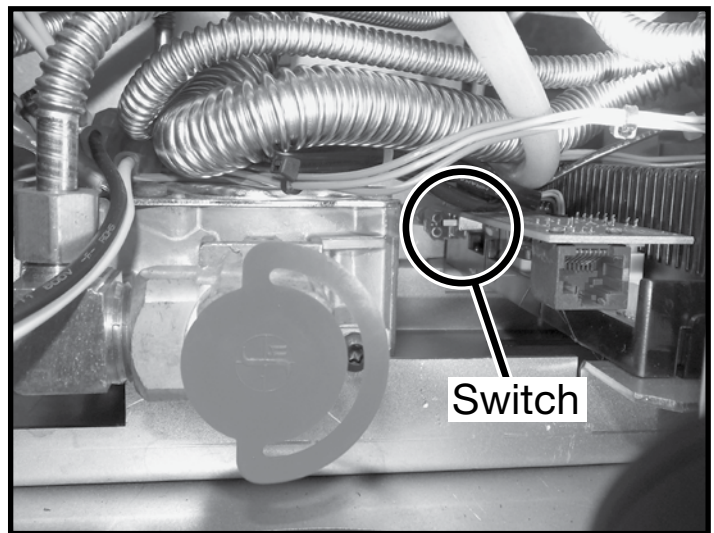


Figure 26: Vent selector switch.

Installation

1. Install the fireplace in the desired location.
2. Locate the control box on the bottom left hand side of the fireplace (Figure 25).
3. Ensure that the switch on the IFC board is set to PV (Power Vent). Access to the switch can be made from the compartment opening (Figure 26). Reach in and make sure that the switch is pushed away from you. This will ensure that the switch is set for power venting (Figure 27). For more detail regarding the power vent selector switch, “Selecting Natural Vent and Power Vent Modes” on page 19.

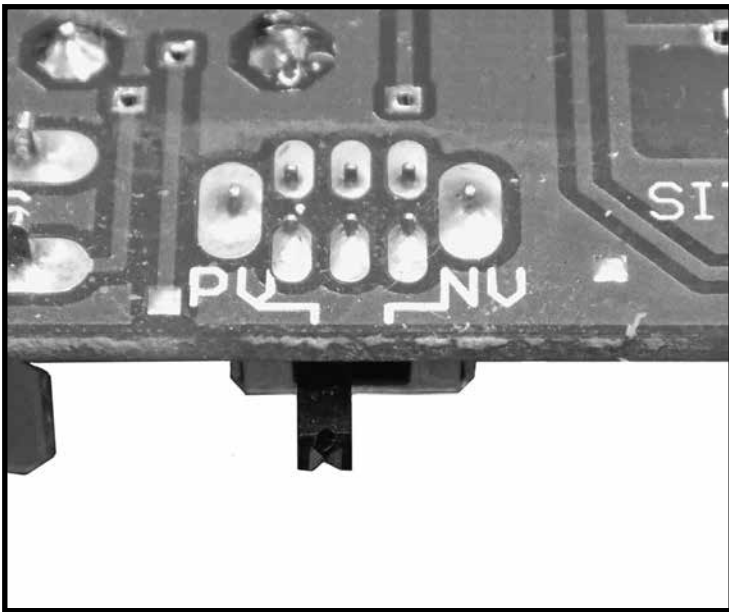


Figure 27: Power vent switch.

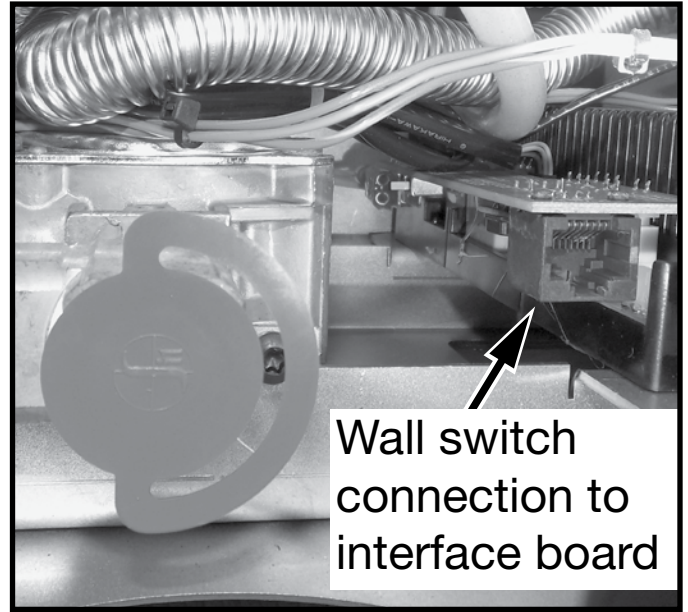


Figure 28: Interface board connection for wall switch.

4. Connect the cable for the wall switch / Home automation to the connector just forward of the power vent switch (Figure 28).
5. Connect 110 V. AC electrical supply to the wires installed inside the junction box (Figure 29). The fireplace is rated at 110 volts, 60Hz, 0.25A. The power vent kit is rated at 115 volts, 60Hz, 1.8A. The wiring for the power vent is also accessed here.
6. Attach the wall switch to the framing in the desired location. (40 ft is supplied with fireplace).
7. Route the wall switch control cable as required to the wall switch (Figure 30).

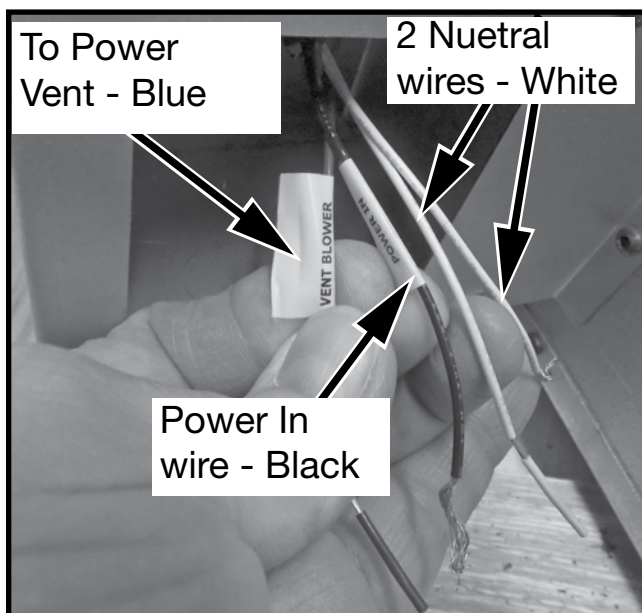


Figure 29: Junction box wiring.

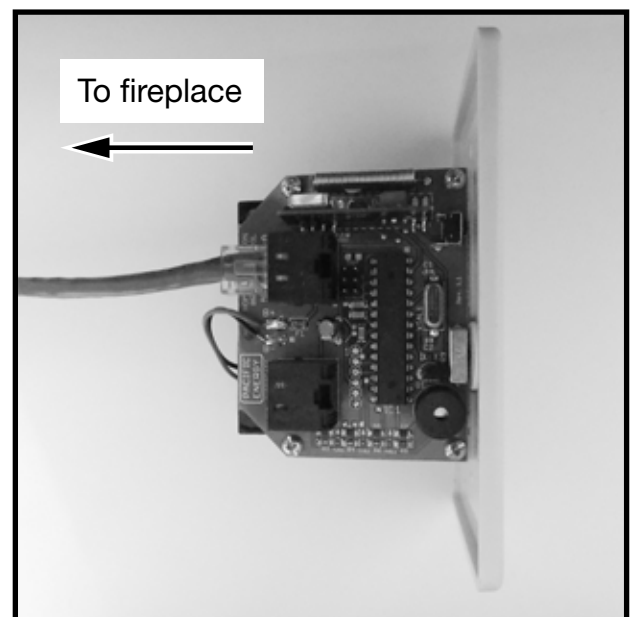


Figure 30: Wall switch - interface side.



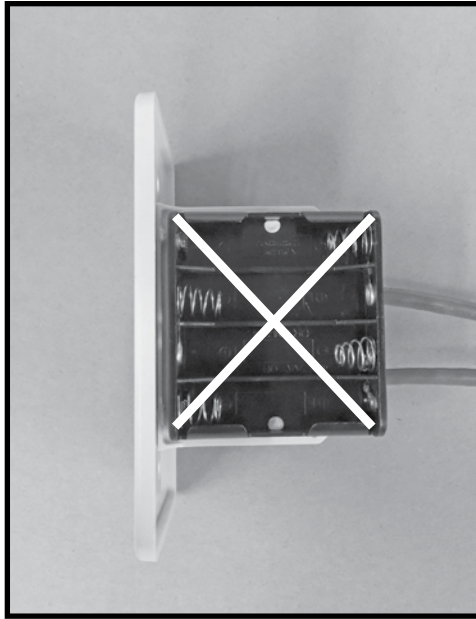


Figure 31: Do not install batteries in this wall switch.

8. **Do not install batteries into the wall switch (Figure 31). Battery holder must remain empty.**
9. If not already installed, install the burner using the instructions supplied with the burner kit.
10. Turn on the gas supply and check that all connections are tight and leak free.
11. Turn on gas and electrical supplies.
12. Move the center button on the wall control (Figure 32) to the “ON” position. The igniter will start to spark. After a short delay, the pilot will light followed by the main burner.



Wall Switch and Remote Control

Note: The wall switch must not have batteries installed in it. The batteries are for back up in case of a power outage. This fireplace must not operate with a battery back up.



Figure 32: Wall switch.

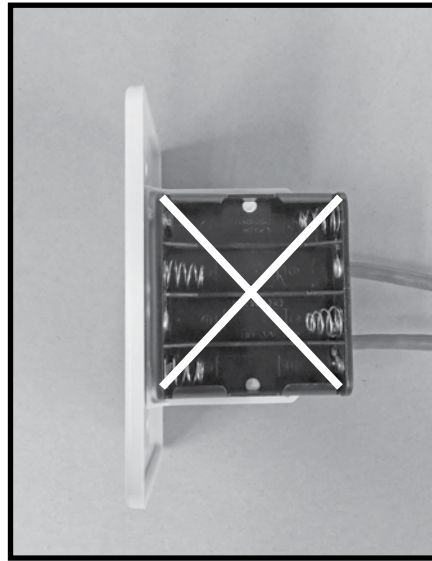


Figure 33: Wall switch with no batteries.

Linking the remote control unit to the wall switch.

1. Begin by moving the selector toggle on the wall switch to the “REMOTE” position.
2. Insert a straightened paper clip into the “PROGRAM” slot on the wall switch.
3. Press the internal “PROGRAM” button once and wait until you hear 3 beeps from the wall switch.
4. Press the ON/OFF button of the remote unit. Once the wall unit beeps 3 times, the remote is programmed.
5. The toggle on the wall switch must be kept in the “REMOTE” position in order to use the remote control unit.

Selecting Natural Vent and Power Vent Modes

The NV / PV (Natural Vent / Power Vent) switch (Figure 34) on the interface board (Figure 28) is set according to which type of evacuating vent system is present. If using a power vent, “PV” should be selected. Follow the instructions provided with the power vent kit for proper installation.

The TCWS54STD2 must be pre-set to the “PV” setting.

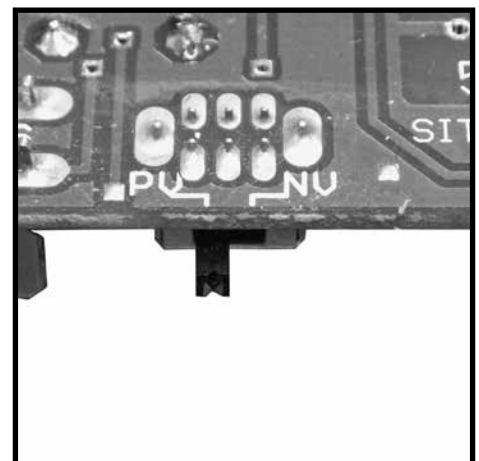


Figure 34: Power vent switch.



Home Automation

The home automation feature supplied with this fireplace is capable of controlling the flame and light on/off function with the use of a dry contact relay common to home automation systems. Furthermore, the flame and light level may be modulated from high to low using the 0 - 10 volt analog output available on most home automation systems.

Figure 36 shows the wire designations required to connect the fireplace to a home automation system.

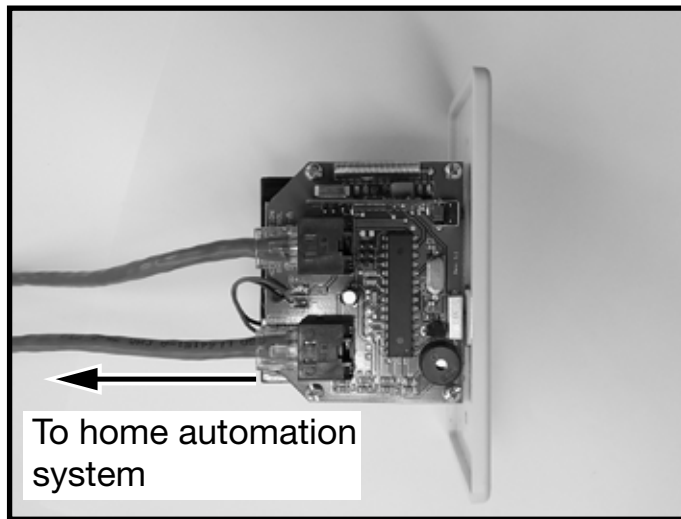


Figure 35: Wall switch to home automation system.

NOTE:

When a signal has been supplied by the home automation system, the fireplace control will repeat the signal every 2 hours or until a new command has been received.

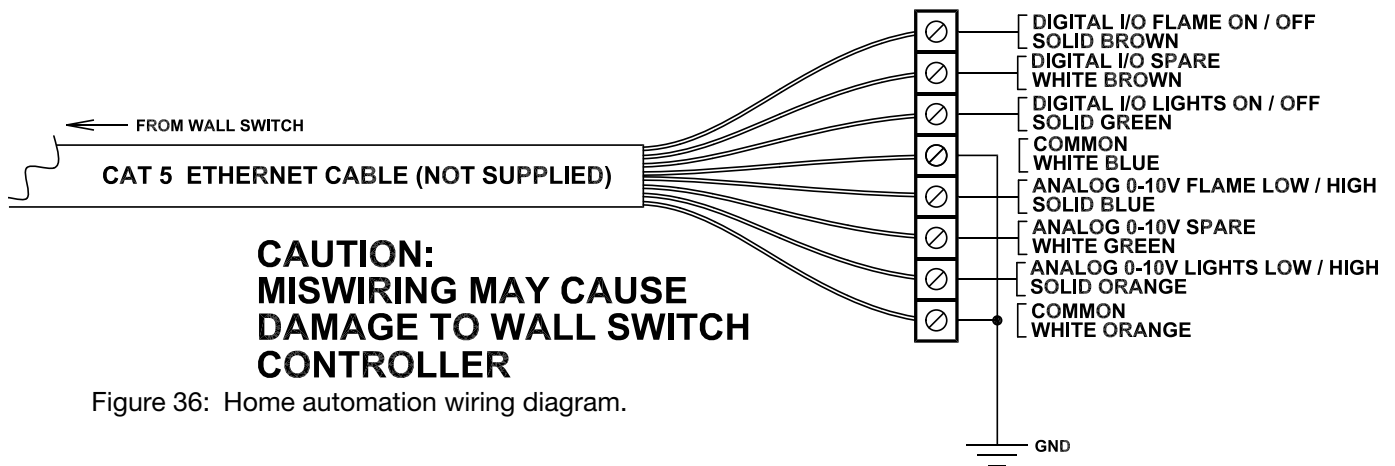


Figure 36: Home automation wiring diagram.

NOTE:

- Digital I/O must be connected to a dry contact relay.
- Analog flame and light input through 0 - 10 volt DC signal scaled as follows:

Low = 1 volt
High = 10 volts

Gas Supply

Servicing of the appliance can be performed from inside the unit and through the access panel located in the firebox bottom.

Caution: The gas line should be installed by a qualified service person in accordance with all building codes. This section is intended as a guide for qualified technicians installing this appliance. Consult local and/or national building codes before proceeding.

Gas supply line access holes are located beneath the fireplace on the flue side of the Control Box. Gas valve inlet accepts a 3/8" N.P.T. fitting. Correct gas line diameter must be used to assure proper operation and pressure.

A drip leg must be installed in the gas supply line going to the gas control valve to minimize the possibility of any loose scale or dirt within the gas supply line from entering the control valve.

It is essential that a union or flanged connection be installed just upstream of the valve and inside the control compartment to allow for repair or replacement of the gas valve. Check local codes for additional requirements.

Check local codes for additional requirements.

1. Connect the gas supply to the gas valve. See "Figure 25" on page 16.
2. Turn on the gas supply and check that all connections are tight and leak free.

WARNING: The access panel including gasket must be reinstalled after conversion/ installation or servicing has been completed. Failure to do so will cause overheating and premature failure of the control system.

Note: To test the gas pressure, turn off the gas supply before removing the plug from the supply pressure test port or manifold pressure test port. Verify gas pressures with the fireplace lit and on the highest setting.

Please refer to "Gas Pressure Check Procedure" on page 34.



Venting

The TCWS54STD2 fireplace must be power vented. There are two options for terminating the venting for this fireplace:

This fireplace can only be wall terminated using the TCVT. PV1.25 or TCVT.PV7.110 power vent kit. Please see the instructions supplied with the power vent kit for installation details.

For roof termination, power vent TCVT.PVCV must be used.

Various combinations of vent runs may be used. For optimum performance and flame appearance, keep the vent length to a minimum and limit the number of elbows. Connections between each vent system component must be tightly joined, secured with sheet metal screws and sealed with provided high temperature self adhesive tape.

VENT SUPPORTS: A minimum of 1 support every 4' must be used.

CAUTION: UNDER NO CONDITION SHOULD COMBUSTIBLE MATERIAL BE CLOSER THAN 1 3/4 INCHES FROM ANY PART OF THE VENTING PIPE.

TCVT.PV Power Vent Installation

Locate the fireplace as per the main instructions supplied. Make the following modifications to add the components used with the Flush Mount Power Vent Kits. This Kit can be used with Town and Country fireplace model TCWS54.DST only. This installation must conform with local codes or, in the absence of local codes, with the National Fuel Gas Code, ANSI Z223.1/NFPA 54, or the Natural Gas and Propane Installation Code, CSA B149.1.

All electrical installations should be performed by a qualified electrician to the Canadian and U.S. National Electrical Codes (CSA C22.1 for Canada), (ANSI/NFPA 70 for the U.S.) and/or local electrical codes.

UNDER NO CIRCUMSTANCES SHALL A RHEOSTAT BE USED TO ALTER THE VOLTAGE SUPPLY TO THIS UNIT.

MINIMUM CLEARANCES TO COMBUSTIBLE	
Terminal casing:	0 in. (0 mm)
Vertical vent pipe:	1.5 in. (38 mm)
Horizontal vent pipe:	1.5 in. (38 mm)
All other clearances are as per the fireplace installation instructions.	

Venting Configurations

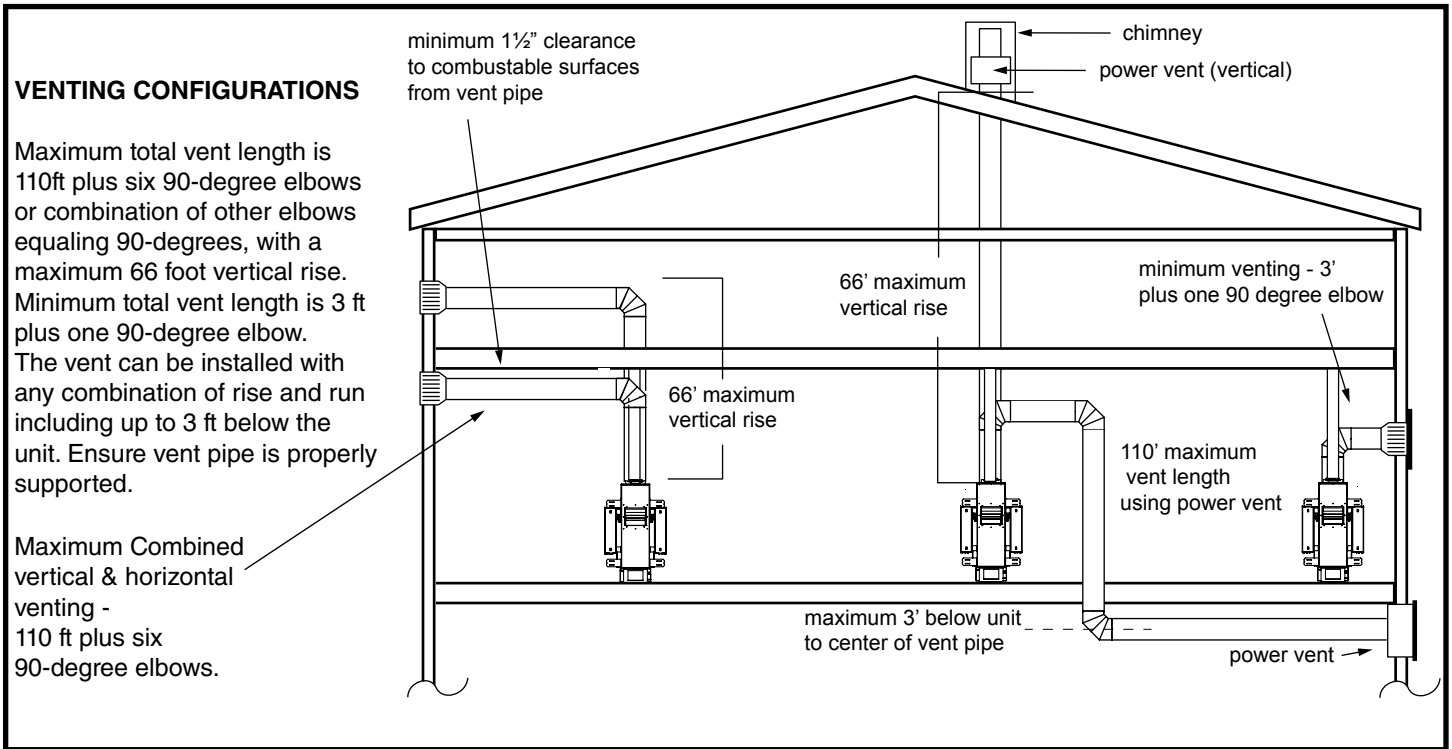


Figure 37: Venting configurations.

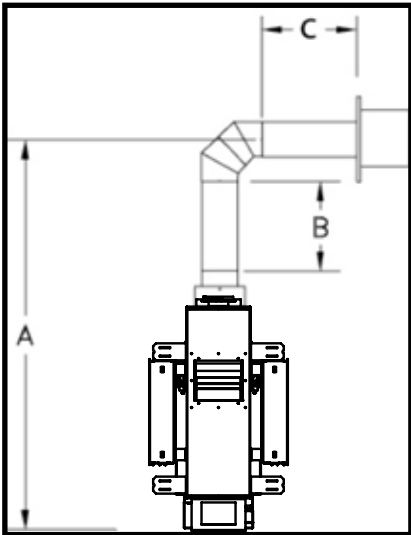
Venting Length

These horizontal power vents are speed adjustable depending on the length of venting.

POWER VENT	0 - 6'	7' - 25'	26' - 110'
TCVT.PV1.25	LOW	HIGH	-
TCVT.PV7.110	-	LOW	HIGH



Minimum Vent Length Chart



A	B	C
Minimum Rise from Floor to Flue Center	Pipe Length	Min. Pipe Length
TCWS54DST		
49"	0"	3 feet
61"	12"	2 feet
73"	24"	1 foot

Figure 38: Horizontal rise run adapter.

Vent Terminal Minimum Clearances

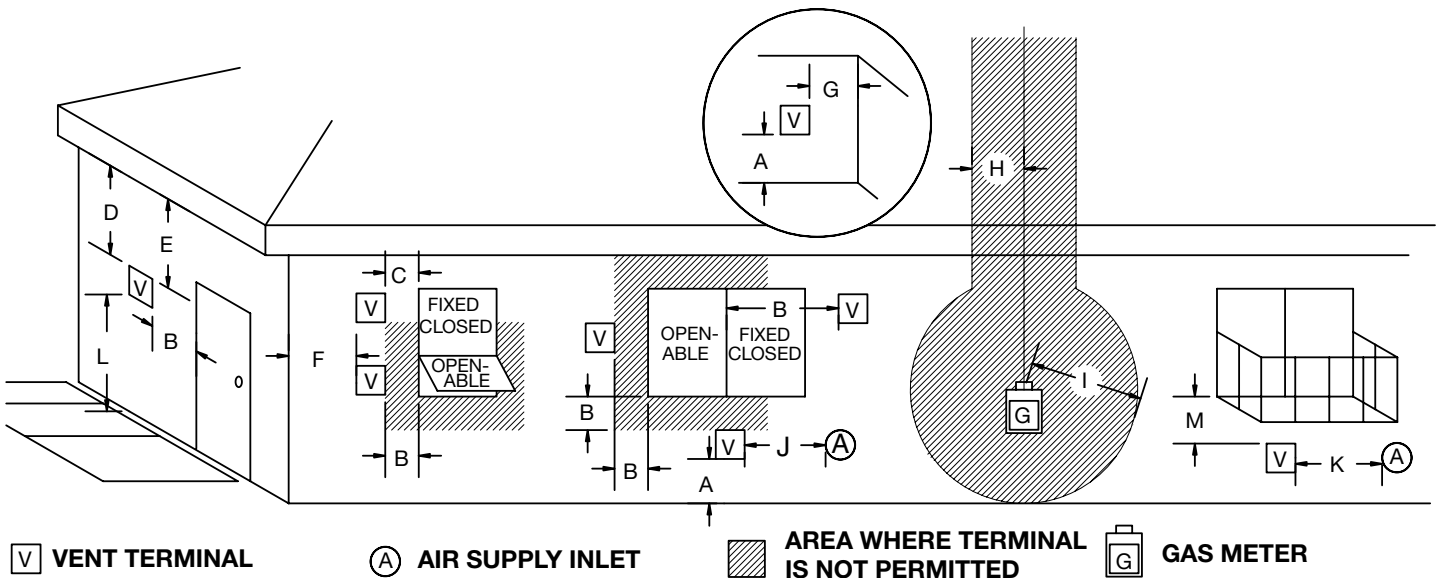


Figure 39: Vent terminal minimum clearances.



		Canada ¹	US ²
A=	Clearances above grade, veranda, porch, deck, or balcony.	12 inches (30 cm) min.	12 inches min.
B=	Clearance beside or below a window or door that may be opened.	12 inches (30 cm) for appliances ≤ 100,000 Btuh., 36 inches (91cm) for appliances > 100,000 Btuh.	9 inches for appliances > 10,000 Btuh and ≤ 50,000 Btuh. *12 inches for appliances > 50,000 Btuh.,
C=	Clearance to permanently closed window recommended to prevent condensation on window.	12 inches (30 cm)	12 inches
D=	Vertical clearance to ventilated soffit located above the terminal within a horizontal distance of 2 feet (61 cm) from the center line of the terminal.	2 inches (5 cm) min.	2 inches min.
E=	Clearance to unventilated soffit from the center line of the terminal.	2 inches (5 cm) min.	2 inches min.
F=	Clearance to outside corner.	6 inches (15 cm) min.	6 inches min.
G=	Clearance to inside corner from the center line of the terminal.	3 inches (8 cm) min.	3 inches min.
H=	Clearance to each side of center line extended above meter/regulator assembly.	3 feet (90 cm) min. within a height of 15ft (4.5m) above the meter or regulator assembly	**
I=	Clearance to service regulator vent outlet.	3 feet (90cm) min.	**
J=	Clearance to non mechanical air supply inlet to building or the combustion air inlet to any other appliance.	12 inches (30 cm) ≤ 100,000 Btuh. 36 inches (91) cm > 100,000 Btuh	9 inches for appliances > 10,000 Btuh and ≤ 50,000 Btuh. 12 inches for appliances > 50,000 Btuh.
K=	Clearance to a mechanical air supply inlet.	6 feet (1.8 m) min.	3 feet (90cm) min. above if within 10ft (3m) horizontally
L=	Clearance above paved side-walk or a paved driveway located on public property	^ 7 feet (2.1 m) min.	**
M=	Clearance under veranda, porch, deck, or balcony	‡ 2 inches (5 cm) min.	‡ 2 inches min.

^ a vent shall not terminate directly above a side-walk or paved driveway which is located between two single family dwellings and serves both dwellings*

** only permitted if veranda, porch, deck, or balcony is fully open on a minimum of 2 sides beneath the floor*

* as specified in CGA B149 Installation Codes, Note: local Codes or Regulation may require different clearances

* for U.S.A. Installations follow the current National Fuel Gas Code, ANSI Z223.1



Venting Components

SIMPSON DURAVENT COMPONENTS

Number	Description
1208	6" Pipe Length
1207	9" Pipe Length
1206	12" Pipe Length
1204	24" Pipe Length
1203	36" Pipe Length
1202	48" Pipe Length
1211	11" to 14-5/8" Pipe, Adjustable
1217	4-10" Pipe, Adjustable
1245	45° Elbow
1290	90° Elbow
1240	Round Ceiling Support /Wall Thimble Cover
1241	Cathedral Ceiling Support Box
1242	Wall Firestop
1247	Wall Thimble
1263	Ceiling Firestop
1288	Wall Strap

SECURE VENT COMPONENTS

Number	Description
SV5L6	6" Pipe Length
SV5L12	12" Pipe Length
SV5L24	24" Pipe Length
SV5L36	36" Pipe Length
SV5L48	48" Pipe Length
SV5LA	6" Pipe, Adjustable
SV5LA12	12" Pipe, Adjustable
SV5LA24	24" Pipe, Adjustable
SV5E45	Swivel 45° Elbow
SV5E90	Swivel 90° Elbow
SV5CSB	Adjustable decorative sq. cathedral support
SV5AC	Collar for decorative sq. cathedral support
SV5SU	Universal support
SV5SD	Floor support
SV5BM	Wall band
SV5RSA	Attic radiation shield
SV5RSM	Wall radiation shield
SV5BF	Firestop

SELKIRK DIRECT-TEMP

Number	Description
1605006	6" Pipe Length
1605009	9" Pipe Length
1605012	12" Pipe Length
1605018	18" Pipe Length
1605024	24" Pipe Length
1605036	36" Pipe Length
1605048	48" Pipe Length
1605082	4-10" Pipe, Adjustable
1605215	45° Elbow
1605230	90° Elbow
1605424B	Cathedral ceiling support box (blk)
1605500	Firestop spacer
1605460B	Wall thimble (blk)
1605430	Wall support band

ICC MODEL EXCELDIRECT

Number	Description
TC-5DL6	6" Pipe Length
TC-5DL1	12" Pipe Length
TC-5DL2	24" Pipe Length
TC-5DL4	48" Pipe Length
TE-5DE45	Swivel 45° Elbow, Galvalume
TE-5DE90	Swivel 90° Elbow, Galvalume
TM-5SS	Square Support / Radiation Shield
TM-5RDS	Round Support / Radiation Shield
TM-5CS	Ceiling Support / Firestop
TM-OS	Offset Support
TM-SR	Roof Support
TM-WS	Adjustable Wall Support
TM-5WT	Insulated Wall Thimble
TM-5TR	Trim Ring, Black
TM-5AS	Attic Radiation Shield / Firestop

Vent Pipe Sealant

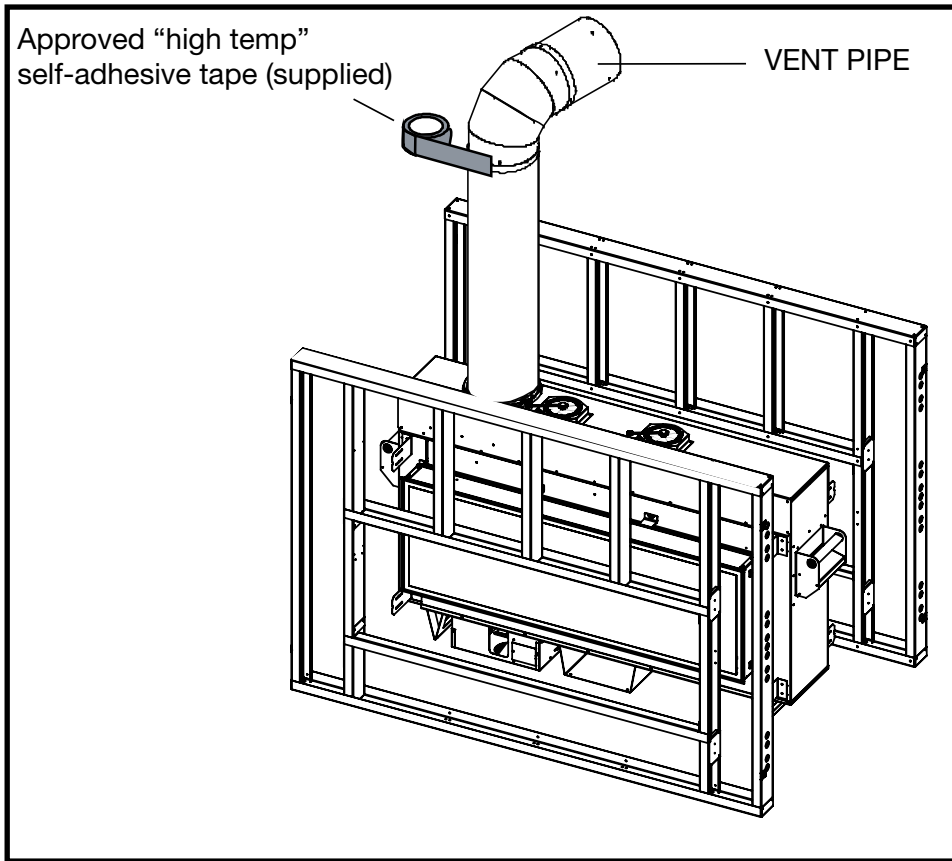


Figure 40: Sealing vent with tape.

All outer joints of the vent pipe must be sealed with the approved "High Temperature" self-adhesive aluminium tape provided. Wrap the tape completely around the joint and press firmly in place.

Inner pipe does not need to be sealed.



Propane Conversion

If this unit is to be used on propane convert as follows using the components supplied with the propane gas conversion kit. Propane conversion kit part number is TCWS.54DSTLPKIT.

Note: Factory supplied components must be used to ensure correct input. After conversion confirm proper manifold pressure.

CAUTION

The gas supply and electrical power at the breaker shall be shut off before proceeding with the conversion.

WARNING

This conversion kit shall be installed by a qualified service agency in accordance with the manufacturer's instructions and all applicable codes and requirements of the authority having jurisdiction.

If the information in these instructions is not followed exactly, a fire, explosion or production of carbon monoxide may result causing property damage, personal injury or loss of life.

The qualified service agency is responsible for the proper installation of this kit.

The installation is not proper and complete until the operation of the converted appliance is checked as specified in the manufacturer's instructions supplied with the kit.

Orifice conversion procedure

1. If installed, remove the glass media, logs, or rock set from the burner tray and remove the edge panels (Figure 57 on page 35).
2. If installed, remove the burner tray by removing the screws attaching the tray to the burners and side panels as well as the two screws on each end of the tray which are screwed into the side panels.
3. Remove burners from the orifices. Remove pilot assembly if necessary.

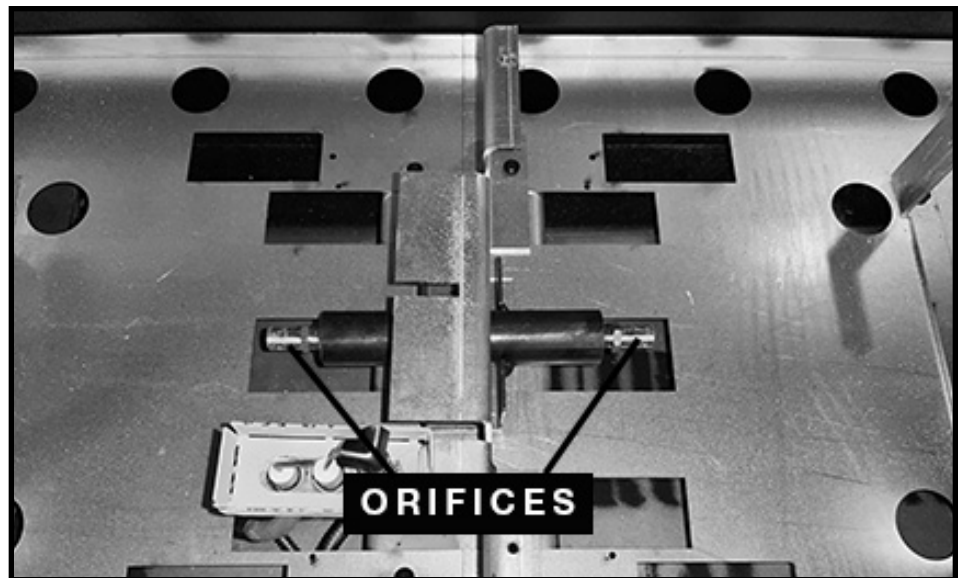


Figure 41: Orifices location.



Figure 42: Orifice.

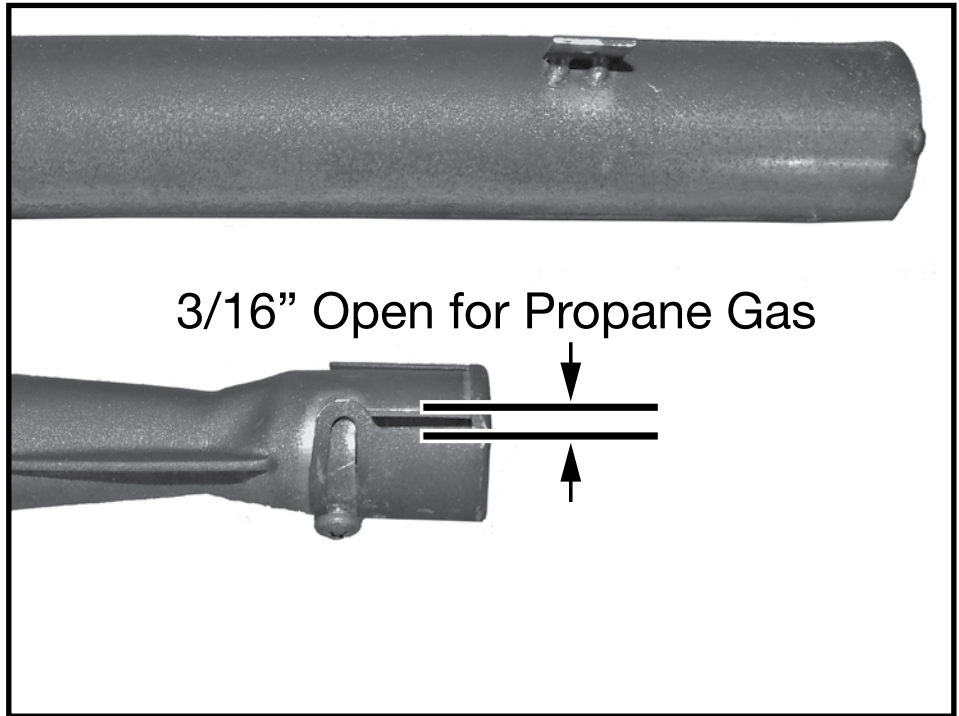


Figure 43: Shutter gap for propane.

4. Using a 1/2" wrench, undo the natural gas burner orifices and replace with the propane gas orifices included in the conversion kit. Apply a small amount of pipe joint compound to the threads of the propane burner orifice to ensure a good seal, before screwing it into the manifold.
5. Loosen the primary air shutter screw on each burner, open the shutter to give a gap of 3/16" and re-tighten (Figure 43).
6. With a 7/16" wrench loosen the pilot head on the pilot assembly (Figure 44 and Figure 45).

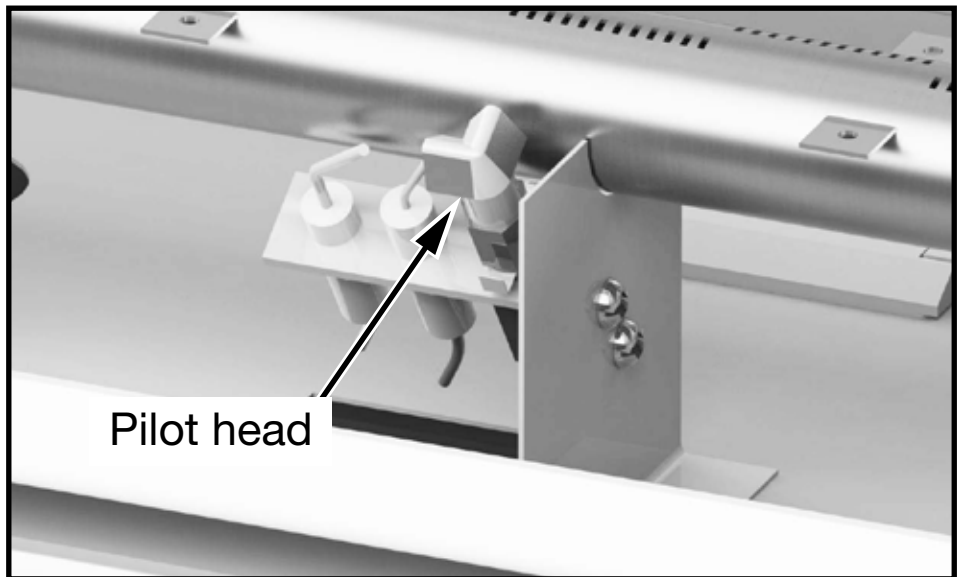


Figure 44: Pilot head.



7. Slide the pilot adjustment band over (Figure 46) and ensure that the hole in the orifice band is showing.
8. Remove access panel to gain access to the gas valve for propane conversion.
9. Once the pilot head is switched over to propane gas from natural gas, continue with the conversion by replacing the gas valve stepper as outlined in the next step.

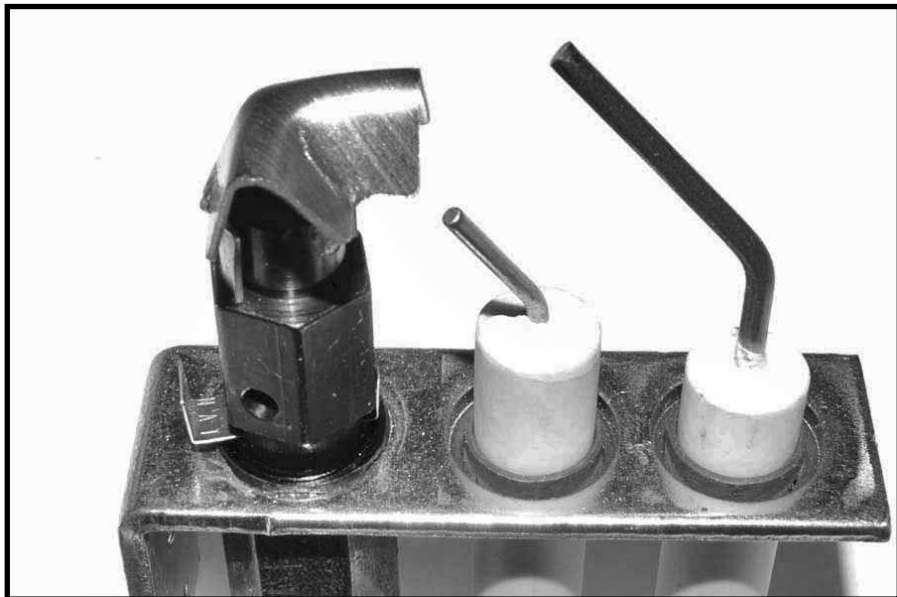


Figure 45: Pilot band in natural gas position.

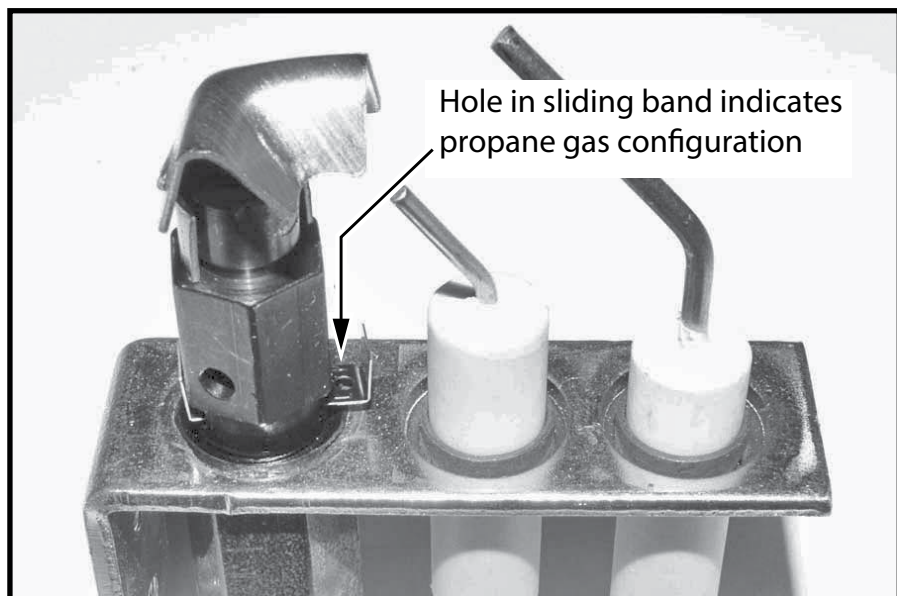


Figure 46: Pilot band in propane gas position.

WARNING: Both the control box shield and the access panel must be reinstalled after conversion/ installation or servicing has been completed. Failure to do so will cause overheating and premature failure of the control system.

For complete valve conversion installation instructions, refer to the instruction book included in the SIT conversion kit.



Accessing the gas valve for conversion

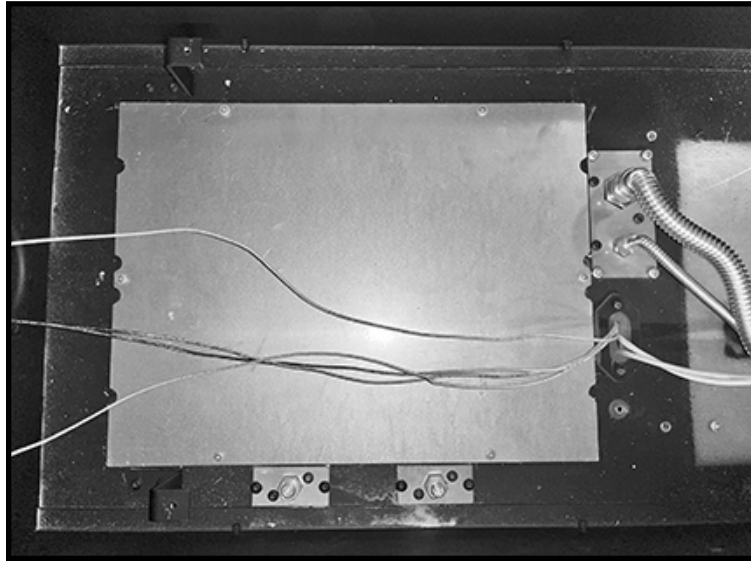


Figure 47: Control access cover

CAUTION

The gas supply and electrical power at the breaker shall be shut off before proceeding with the conversion.

Consult the Burner Kit instruction manual for burner removal/installation.

1. If installed, remove the burner media (rocks, glass, logs, etc.) from the burner tray. Remove the edge panels, burner tray, left hand burner, left hand side panel, release pilot assembly from center leg and remove left hand secondary floor panel.
2. Remove large cover panel.

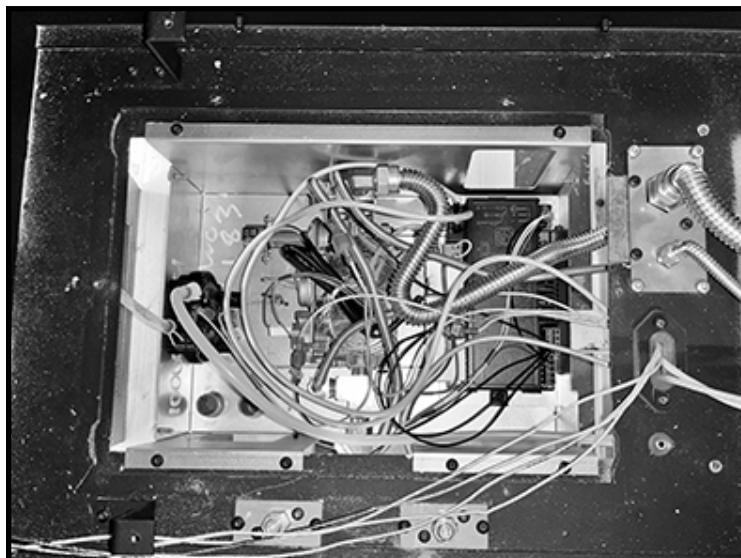


Figure 48: Access cover removed.



3. Locate the stepper (Figure 49) and follow its wires back to its electrical connection and disconnect (Figure 50).
4. Return to the stepper and locate and remove the two screws attaching the stepper to the valve (Figure 49). Discard these screws and use the two new screws included in the conversion kit.
5. Complete the gas valve conversion from natural gas to propane gas according to the instructions included in the SIT propane gas conversion kit.
6. Once conversion is complete, fill out and affix the gas conversion label (Figure 51) to the inside of the control box where it will not be affected by the heat of the firebox.

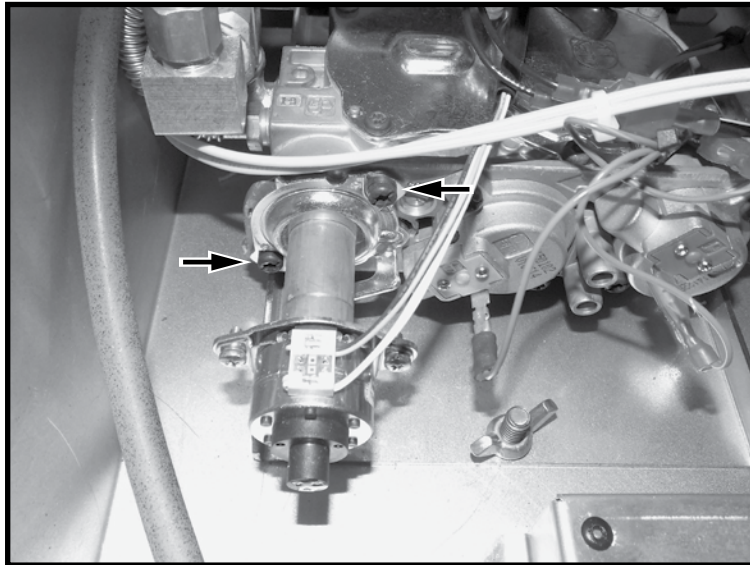


Figure 49: Stepper screws access.

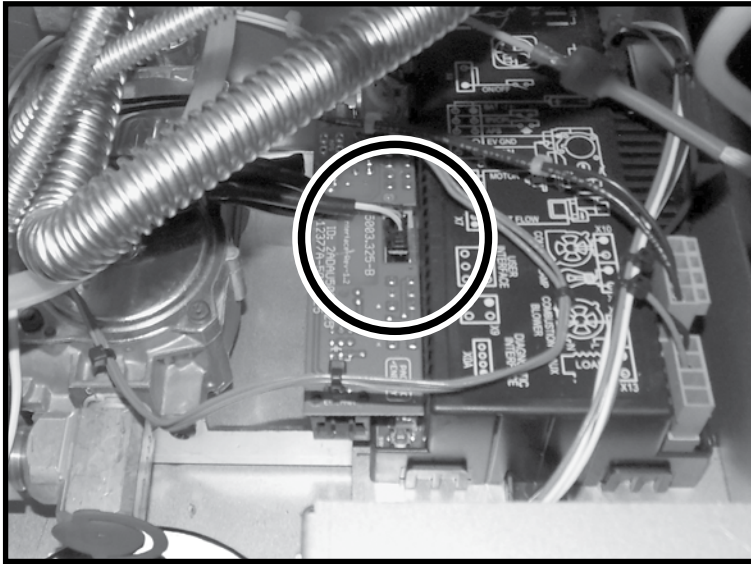


Figure 50: Stepper connector location.

This appliance was converted to propane gas			PACIFIC ENERGY

Kit Number			5052.52001-B
dd	mm	yy	l'entreprise désignée ci-dessus accepte la responsabilité que cette conversion a été correctement faite.

Company			Adresse
_____			_____
Address			Firme
The above accepts the responsibility that this conversion has been properly performed.			_____
5052.52001-B			_____
PACIFIC ENERGY			Numéro d'assemblage
Cet appareil a été converti en gaz propane			_____

Figure 51: 5052.52001-B CONVERSION KIT LABEL.



Gas Pressure Check Procedure

Note: To test the gas pressure, turn off the gas supply before removing the plug from the supply pressure test port or manifold pressure test port.

Verify gas pressures with the fireplace lit and on the highest setting.

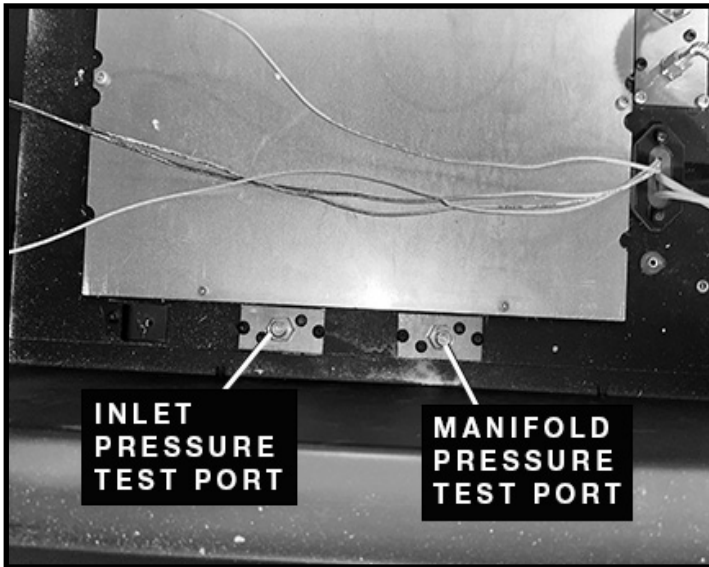


Figure 52: Pressure test ports.

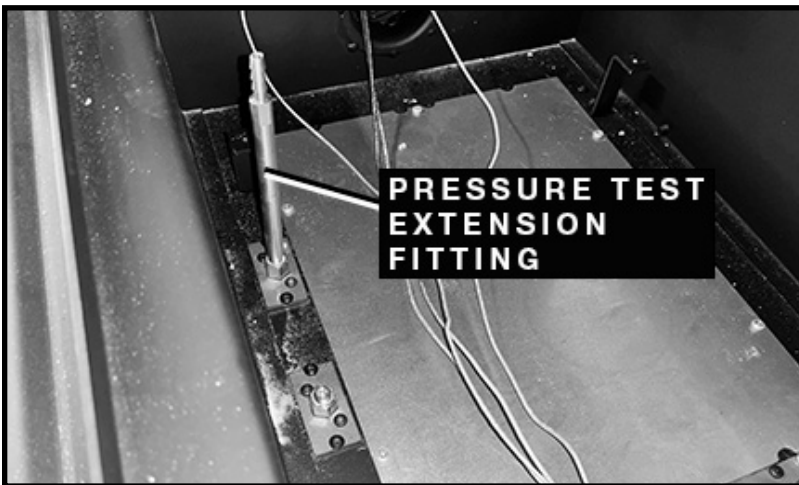


Figure 53: Pressure test extension.

1. Remove the plug from the pressure test port using a 3/16" hex key (Figure 52).
2. Thread the extension test fitting into the open port (Figure 53).
3. Attach a pressure gauge onto the fitting.
4. When testing is complete shut off the gas, remove the fitting and replace the plug. Thread sealant will be required to ensure a gas tight connection.

Correct gas pressure requirement:

	Natural Gas	Propane
Min. Pressure <small>(For purpose of input adjustment)</small>	5.0" WC	12.5" WC
Max. Pressure	13.9" WC	13.9" WC
Manifold Pressure		
Maximum	3.5" WC	10" WC
Minimum	1.6" WC	6.4" WC

Firebox Panels Installation

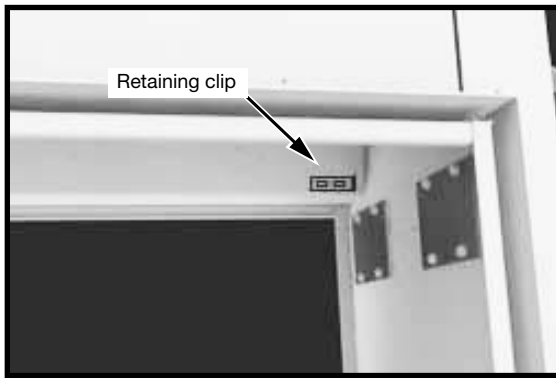


Figure 54: Retaining clip.



Figure 55: Side panel insertion.



Figure 56: Retaining clip holding side panel in place.

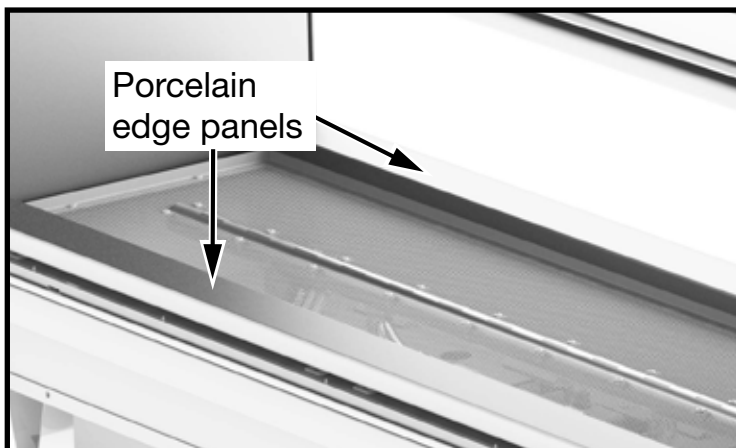


Figure 57: Porcelain edge panels.

1. Remove side panel securing tabs for both sides in upper firebox (Figure 54).
2. Place bottom of side panel in first then tip up into vertical position (Figure 55).
3. Attach the side panel securing tabs previously removed. Repeat steps 2 & 3 with other side panel (Figure 56).

NOTE: Install burner now.

4. Place porcelain strips as shown in Figure 57.

NOTE: The Porcelain strips, that came with your panel set, have a short flange on one long edge. This short flange should face in towards the burners and media.



Finishing Touch Trim Kit Installation

The trim kit includes two side pieces, a top piece, and a bottom meshed piece which will be placed onto the fireplace floor and the door.

Installation

1. Begin by setting out the two side trim pieces and the top piece. Each of these three trim pieces require 2 small button magnets which are included with the trim pieces.
2. Install the two side trim pieces first using two smaller magnets on each piece as shown in Figure 58 and Figure 59.



Figure 58: Installing the side trim.



Figure 59: Side trim in place.



Figure 60: Installing top trim.

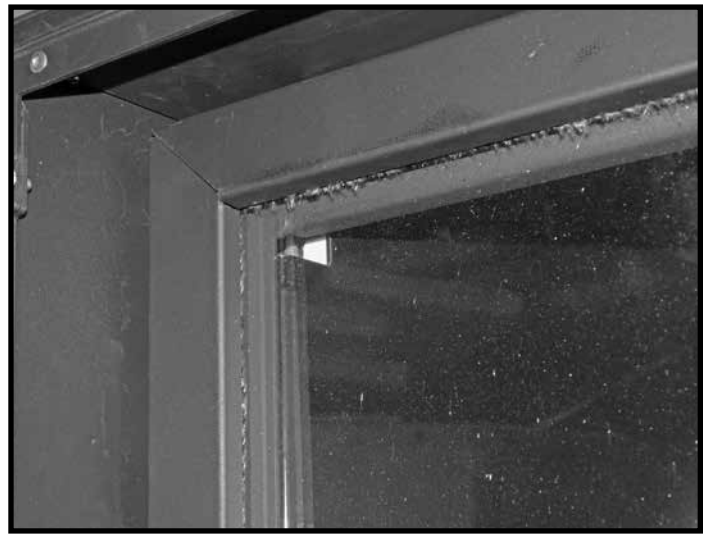


Figure 61: Top trim in place.

3. Install the top trim piece over top of the two side trim pieces using two larger magnets (Figure 60 and Figure 61).



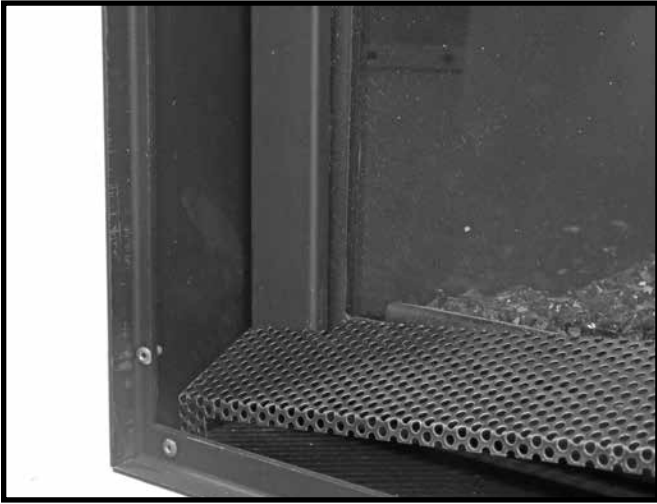


Figure 62: Installing bottom trim.

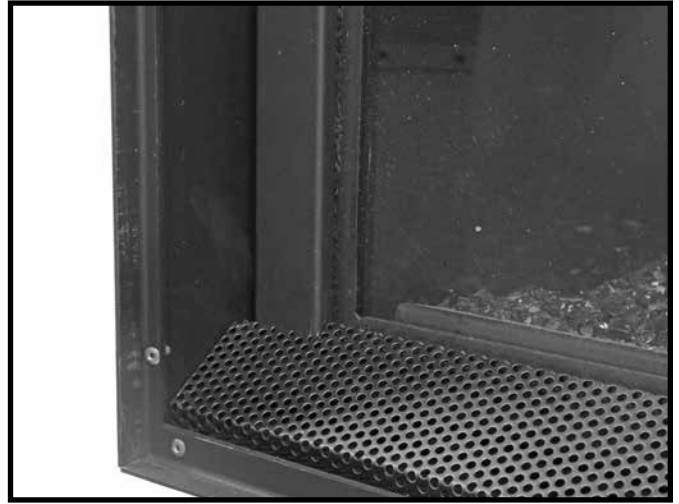


Figure 63: Bottom trim in place.

- The meshed trim piece for the bottom rests on the floor and in the gap between the frame and the glass fireplace door (Figure 62 and Figure 63)



Figure 64: Town & Country magnetic badge.



Figure 65: T&C badge on right side of trim piece.

- The trim kit comes with a Town & Country badge (Figure 64). Affix this new badge to the lower right hand corner of the safety screen as shown in Figure 65.
- Attach the magnetic safety barrier screen (Figure 66) to the outer-most door frame.

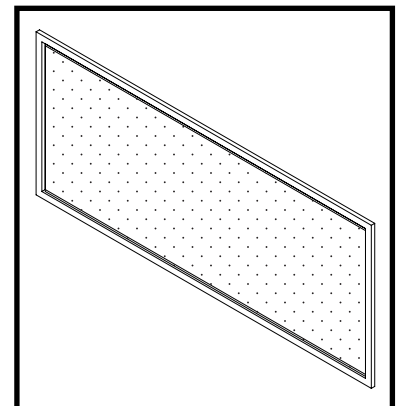


Figure 66: TCWS54 Safety barrier screen.



Burner Flame Adjustment

The air shutter on the burner tube controls the primary combustion air. It is set to the closed position at the factory for natural gas fuel. For LP . Some adjustment may be necessary to obtain desired flame and to eliminate carbon deposits. Evaluate flame appearance after the fireplace has reached operating temperature. See Figure 66 for proper flame pattern.

Open primary air if the door glass and firebox have carbon accumulation and/or the flames are long, dark and stringy. The shutter may also be opened to lessen the flame height.

NOTE:

Proper air shutter setting is required.

The flame should be just orange and “lazy”. It should NEVER be set to create sooting on internal parts and door glass. Allow the fireplace to run for 30 minutes before evaluating flame appearance.



Figure 67: Example of desirable flame pattern.



Maintenance

CAUTION:

Turn off gas and electrical power supply (if applicable) and allow ample time for unit to cool before servicing appliance. It is recommended that the fireplace and its venting should be inspected at least once a year by a qualified service person.

Glass Panel:

Warning: Do not operate fireplace with glass panel removed, cracked or broken. Replacement of the glass panel should be done by a licensed or qualified service person.

Do not strike or otherwise impact the glass in anyway that may cause it to break. If the glass becomes cracked or broken it must be replaced before using the fireplace. Replacement glass can be obtained from your nearest Town & Country Fireplaces dealer. Use ceramic glass only. **Do not substitute with any other type.**

To remove broken glass, remove door frame as noted in "Door Frame Removal" section.

Unclip the Glass Retainer Clips located at the top and sides of the Door Frame. Pull the top edge of the glass out of the frame first, then lift it up and out of the bottom edge.

Install the new piece of glass with the gasket into the frame so that the thicker bead of gasket faces the fireplace.

Re-install glass retaining clips.

Annual Inspection:

- a) Remove glass panel and pebble assemblies if applicable. Inspect pebble and burner assemblies for soot buildup. If excessive buildup of soot is present, have a qualified service person inspect and adjust unit for proper combustion. Clean burners with a brush or vacuum cleaner, paying close attention to burner ports.
- b) Check the pilot system for proper flame size and operation. Clean pilot free of soot, dust or any other deposits (See Figure 68).
- c) Check that the vent pipe and vent terminal are open and free from blockage or debris. If the venting is disassembled for cleaning, it must be properly assembled and re-sealed. Refer to VENTING section for proper procedure.
- d) Check glass panel gasket, replace if necessary. It is important that the glass seal be maintained in good condition.
- e) Check and replace batteries as needed.

Note: The appliance area must be kept clear and free from combustible materials, gasoline and other flammable vapours and liquids.

Periodically:

- a) Viewing glass may be cleaned as necessary with fireplace glass cleaner.
- b) Exterior finish may be cleaned with mild soap and water.

CAUTION:

Do not use abrasive cleaners on glass or any other part of the fireplace.

Do not clean glass when hot.

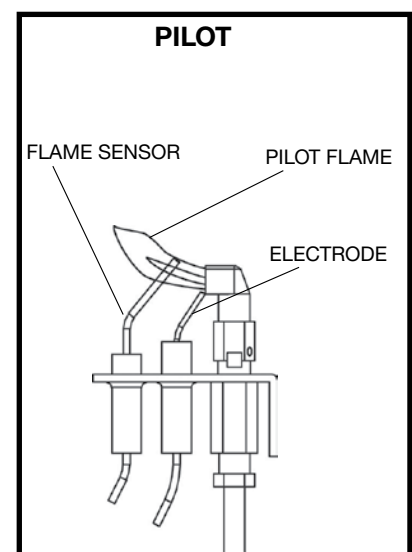


Figure 68: Pilot assembly.

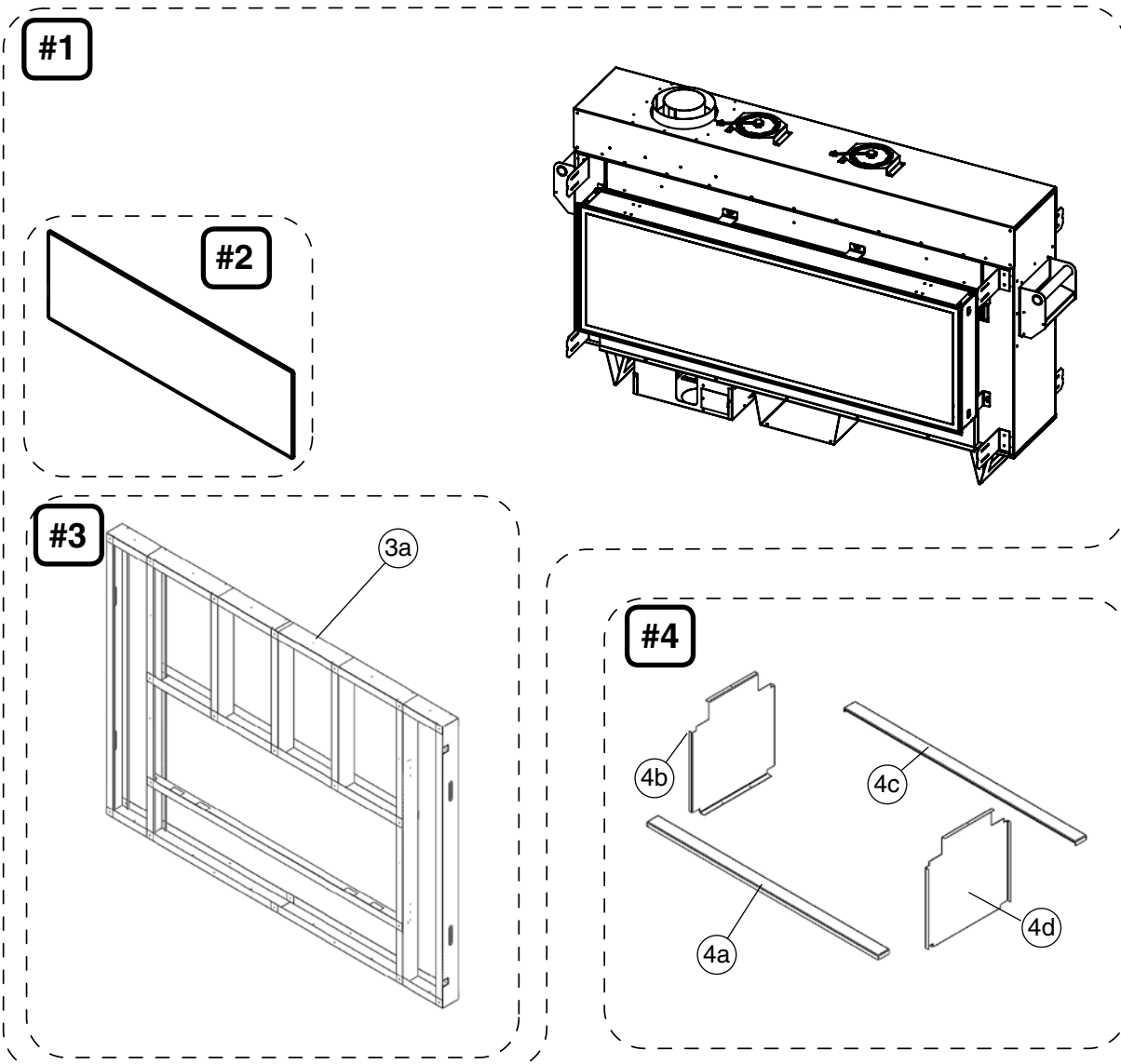


Replacement Parts - TCWS.54DST

(WHEN ORDERING, INCLUDE PART NUMBER WITH DESCRIPTION)

ITEM	DESCRIPTION	PART NO.	ITEM	DESCRIPTION	PART NO.
#1	TCWS BODY ASSEMBLY	TCWS.54CSTE	*#5	FINISHING TOUCH TRIM KIT.....	TCRP.54WSTRIMKIT
#2	GLASS ASSEMBLY (c/w gasket) ..	GLAS.2062BASSY	#6	ORIFICE (2pcs)	5021.332A
#3	FRAMING KIT	TCWS.54STFRKIT	#7	MAIN GAS SUPPLY TUBE (1pcs)	5019.223
#4	PANEL SETS				
	BLACK PORCELAIN	TCPN.54STBK			
	BROWN PORCELAIN	TCPN.54STCB			
	COPPER PORCELAIN	TCPN.54STCU			
	TITANIUM PORCELAIN.....	TCPN.54STTI			

***NOT SHOWN**



KIT CONTENTS:

- | | |
|--|---|
| <p>#1 TCWS BODY ASSEMBLY
 1a SPRING LATCH ASSEMBLY (2)
 1b CONTROL BOX</p> <p>#2 GLASS ASSEMBLY (c/w gasket)</p> | <p>#3 FRAMING KIT
 3a STEEL STUDS</p> <p>#4 PANEL SETS
 4a PANEL, FRONT BASE
 4b PANEL, LEFT SIDE
 4c PANEL, REAR
 4d PANEL, RIGHT SIDE</p> |
|--|---|

Replacement Parts - Tranquility Burner

(WHEN ORDERING, INCLUDE PART NUMBER WITH DESCRIPTION)

ITEM	DESCRIPTION	PART NO.
#1	TRANQUILITY BURNER KIT.....	TCWS.54NGST04D
#2	PEBBLE ASSEMBLY(1 box).....	TCRP.TRANQA
* #3	SAND (1 Bags).....	TC42.SAND34
* #4	PILOT ROCK, BLACK.....	8421-A
* #5	PILOT ROCK, GREY.....	8422-A

* NOT SHOWN

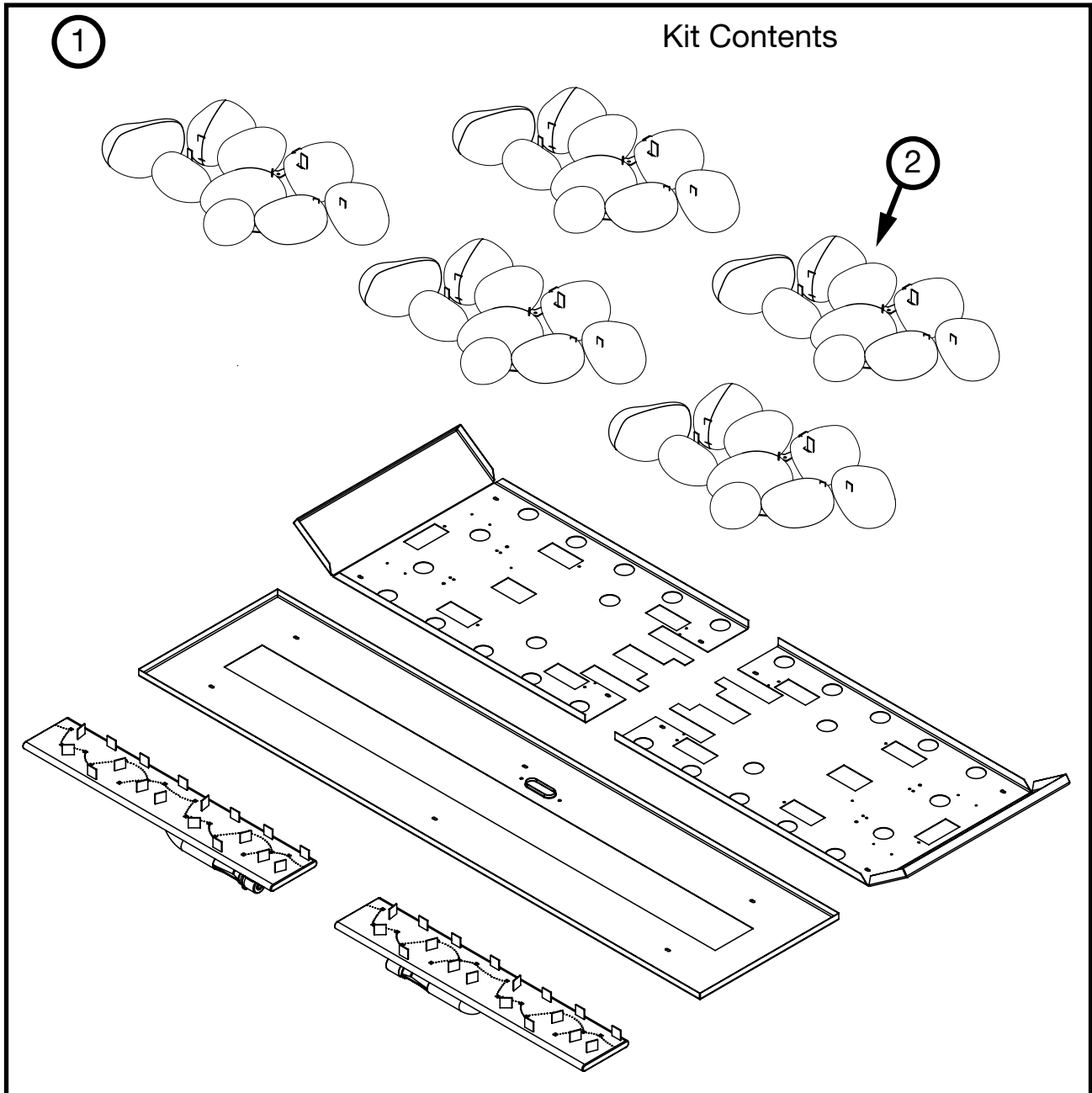


Figure 69: Tranquility burner replaceable parts.



Replacement Parts - Diamond Burner

(WHEN ORDERING, INCLUDE PART NUMBER WITH DESCRIPTION)

ITEM	DESCRIPTION	PART NO.
#1	DIAMOND BURNER	TCWS.54NGST03D
* #2	GLASS MEDIA (1 - 5lb bag. 2 required).....	TCRP.501207
* #3	LIGHT BULB	5033.713

* NOT SHOWN

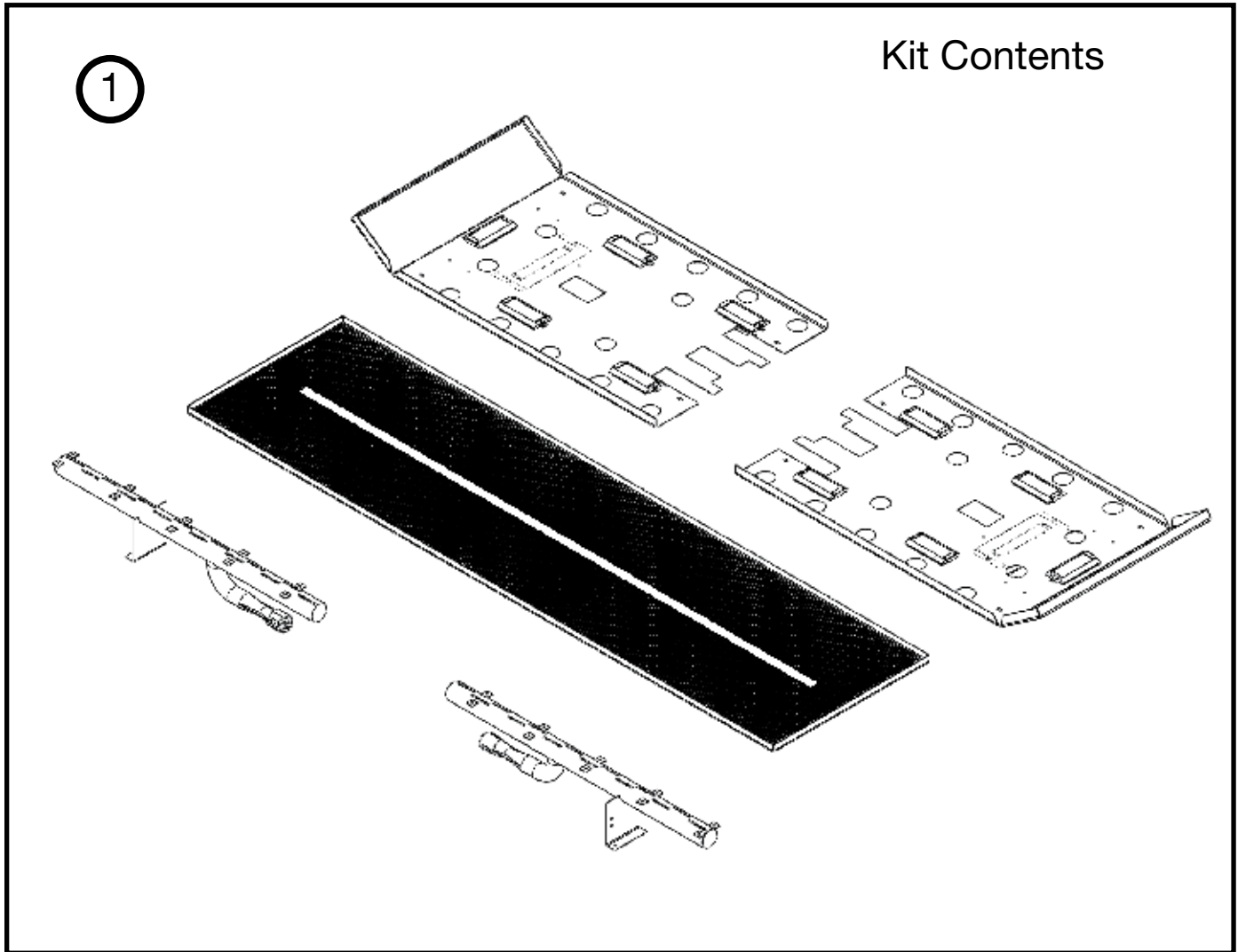
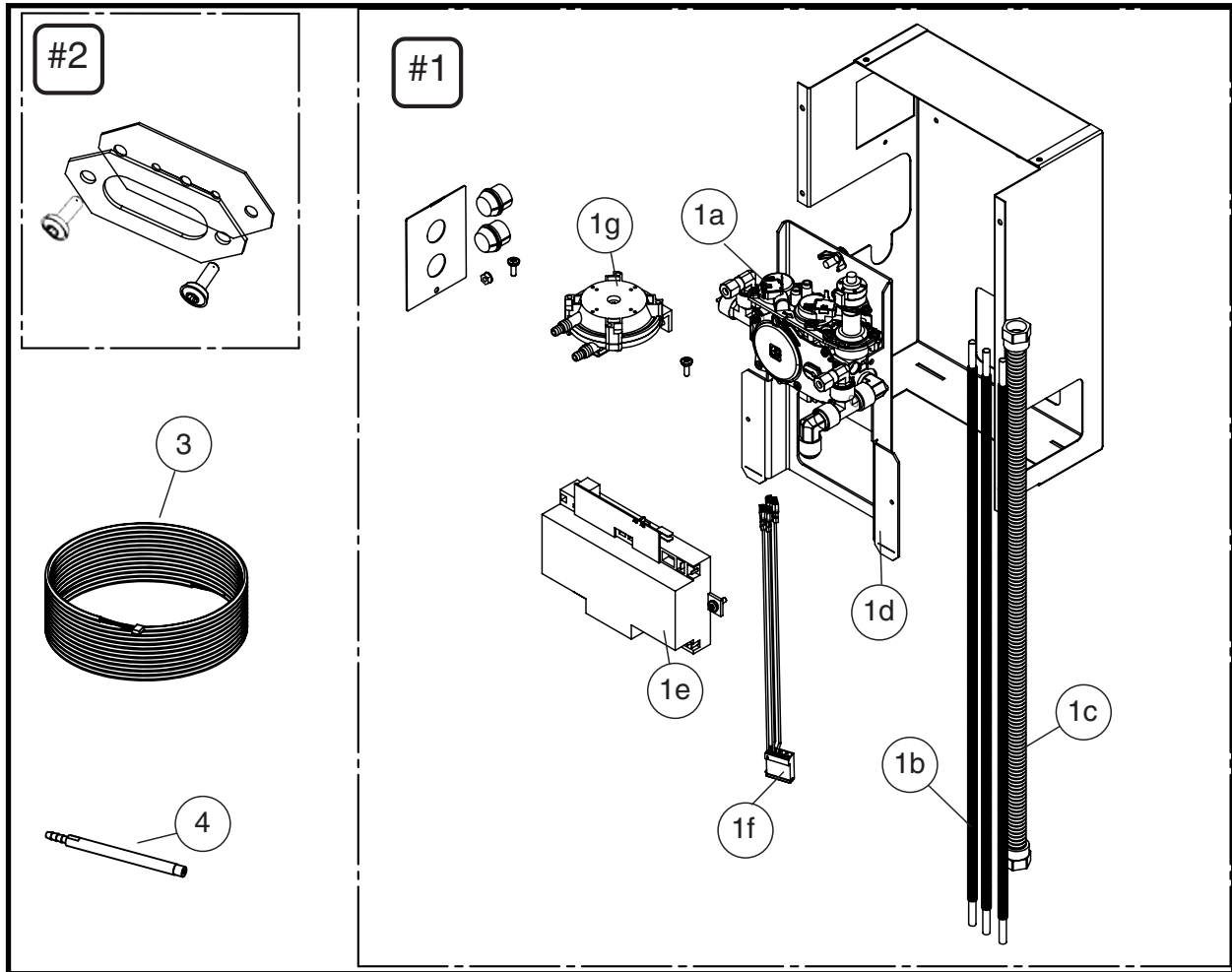


Figure 70: Twilight diamond burner replaceable parts.

Replacement Parts – Valve Control System

(WHEN ORDERING, INCLUDE PART NUMBER WITH DESCRIPTION)

ITEM	DESCRIPTION	PART NO.	ITEM	DESCRIPTION	PART NO.
#1	CONTROL ASSEMBLY KIT.....	100005859	#4	TEST FITTING.....	5019.104
#2	BULKHEAD PLATE ONLY ASSY.....	80000539	#5	WALL SWITCH ASSEMBLY KIT.....	80000498
#3	COMMUNICATION CABLE KIT.....	5062.98-A	#6	REMOTE TRANSMITTER.....	80000519

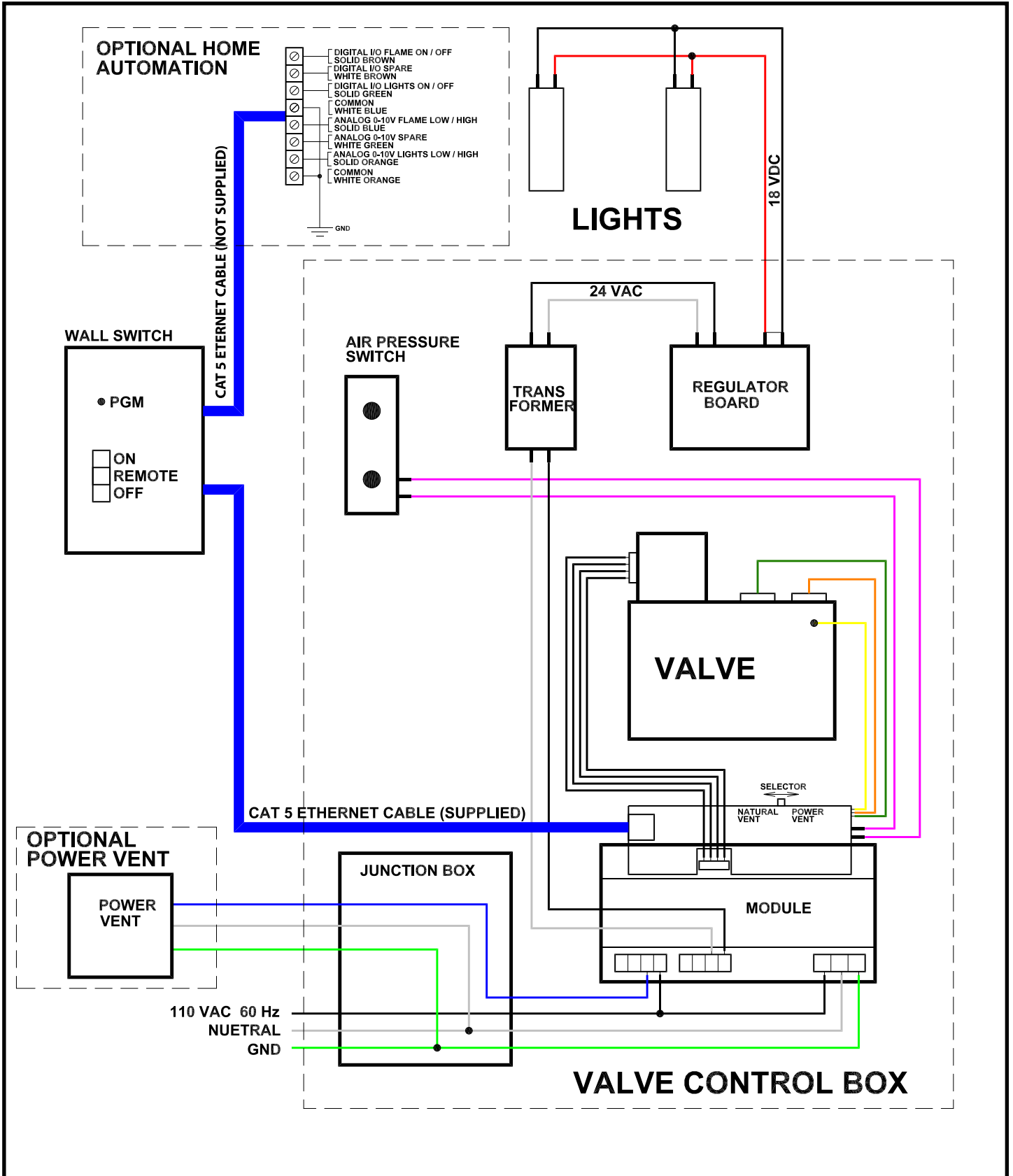


KIT CONTENTS:

- | | |
|---------------------------------|-----------------------------|
| #1 CONTROL ASSEMBLY KIT | #3 COMMUNICATION CABLE KIT |
| 1a VALVE c/w FITTINGS | |
| 1b 1/4" FLEX TUBE | #4 TEST FITTING |
| 1c 1/2" FLEX TUBE | |
| 1d ... CONTROL MOUNTING BRACKET | #5 WALL SWITCH ASSEMBLY KIT |
| 1e IGNITION MODULE | (not shown) |
| 1f WIRING HARNESS | |
| 1g PRESSURE SWITCH | #6 REMOTE TRANSMITTER |
| | (not shown) |
| #2 BULKHEAD PLATE ONLY ASSY | |



Wiring Diagram



Rating Label

NOTE:

The Rating Label is located on a plate found in a slot between the left hand side lintel and the left hand side door frame. This plate is attached to the side casing with a cable.



TOWN & COUNTRY
FIREPLACES™

MODEL/
MODELE: **TCWS54ST**

SERIES/
SERIE: **D**

MADE IN CANADA
FABRIQUE AU CANADA

**VENTED GAS FIREPLACE - NOT FOR USE WITH SOLID FUEL
FOYER AU GAZ À ÉVACUATION - NE PAS UTILISER AVEC DU
COMBUSTIBLE SOLIDE**

This is a decorative product and is not intended to be used as a heating appliance.

ANSI Z21.50-2016 / CSA 2.22-2016 Vented Gas Fireplaces
CAN/CGA 2.17-M91 Gas-Fired Appliance For Use At High Altitudes.

Certified for / Certifié pour Canada and U.S.A.

This Appliance is Equipped For Use With /
Cet Appareil est Équipé Pour Utiliser Avec :

NATURAL GAS LP-GAS
GAZ NATUREL LP GAZ

FOR USE WITH/ EN CASE D'EMPLOI AVEC:	NATURAL GAS/ DU GAZ NATUREL	LP GAS/ DU GAZ LP
Minimum supply pressure / Pression minimum d'alimentation: (For the purpose of input adjustment / dans le but de régler l'alimentation)	5.0 in/wc / 5.0 po/c.e. (1.25 kPa)	12.5 in/wc / 12.5 po/c.e. (3.11 kPa)
Maximum supply pressure / Pression maximum d'alimentation:	13.9 in/wc / 13.9 po/c.e. (3.45 kPa)	13.9 in/wc / 13.9 po/c.e. (3.45 kPa)
Manifold pressure / Pression de la tuyauterie: Maximum	3.5 in/wc / 3.5 po/c.e. (0.87 kPa)	10.0 in/wc / 10.0 po/c.e. (2.49 kPa)
Orifice Size / Diametre de l'injecteur:	NC x2	LC x2
Input BTU/hr (kW) / Entree BTU/h (kW):	Max.: 54,900 (16.0) Min.: 38,500 (11.3)	Max.: 54,900 (16.0) Min.: 45,000 (13.2)

Optional components/ Éléments facultatifs: Powervent Kit/ kit de ventilation mécanique TCVT.PVI.25, TCVT.PV7.110, TCVT.PVCV, TCVT.PVVT.

Blower electrical rating: 115v, 60hz, 1.1 A / Normes électriques du ventilateur: 115v, 60hz, 1.1 A

This appliance equipped for altitudes 0 - 4500 ft. (0 - 1372 m) / Cet unité est conçu pour des altitudes variant entre 0 - 4500 pieds (0 - 1372 m). In Canada, also certified for installation in a bedroom or a bedsitting room / Aussi certifié pour installation dans une chambre à coucher ou une salle de séjour. This appliance must be installed in accordance with local codes, if any; if none, follow the current CAN/CGA-B149 (Canada), or ANSI Z223.1 (USA) Installation Codes. Installer l'appareil selon les codes ou règlements locaux, ou, en l'absence de tels règlements, selon les codes d'installation CAN/CGA-B149 (Canada), or ANSI Z223.1 (USA) en vigueur.

MANUFACTURED (MOBILE) HOME: This appliance is only for use with the type of gas indicated on the rating plate and may be installed in an aftermarket, permanently located, manufactured (mobile) home where not prohibited by local codes. See owners manual for details.
FABRIQUEZ (MOBILE) MAISON: Cet appareil doit être utilisé uniquement avec le type de gaz indiqué sur la plaque signalétique et peut être installé dans une maison préfabriquée (mobile) installée à demeure si les règlements locaux le permettent. Voir la notice du propriétaire pour plus de détails. Cet appareil ne peut être converti à d'autres gaz sauf si une trousse de conversion certifiée est utilisée.
Install in accordance with the current standard Mobile Homes, CAN/CSA Z240 MH (in CANADA), and the Manufacturer's Home Construction and Safety Standard, Title 24 CFR, Part 3280, or the current Standard for Fire Safety Criteria for Manufactured Home Installations, Sites, and Communities ANSI/NFPA 501A, (in the U.S.A.). Cet appareil doit être installé conformément aux exigences de la norme CAN/CSA Z240 MH en vigueur de l'ACNOR, Installations de gaz dans les Constructions Mobiles.

FOR USE WITH THE GLASS AND SCREEN BARRIER CERTIFIED WITH THE APPLIANCE ONLY / POUR UTILISATION UNIQUEMENT AVEC LES PORTES IN VERRE CERTIFIÉES AVEC L'APPAREIL

MINIMUM CLEARANCES TO COMBUSTIBLES / CLAIRANCES MINIMALES AVEC LES COMBUSTIBLE
Left and Right side are determined when facing the front of the appliance. / Les côtés droit et gauche se déterminent en se mettant devant l'appareil et en lui faisant face.

Top, Back and Side Standoffs / Sommet, Arrière et Côté Butée	0 in./ 0 po.	(0 mm)
Sidewall to Appliance / Du mur latéral a l'appareil	4 in./ 4 po.	(102 mm)
Ceiling to Appliance / Plafond a l'appareil	24 in./ 24 po.	(610 mm)
Mantel to Appliance / Du manteau a l'appareil	*9 in./ 9 po.	(229 mm)
Maximum Mantel Extension / Allongement maximum du manteau	*12 in./ 12 po.	(305 mm)
*See Installation Manual for more detail / Voyez des Directive de l'Installation pour plus détails.		
Mantel Supports / Supports du manteau	4 in./ 4 po.	(102 mm)
Vent Pipe / Déchargez le Tuyau	1.75 in./ 1.75 po.	(45 mm)

Pacific Energy
Fireplace Products Ltd.
Duncan, British Columbia,
Canada

P.4.1-15 Efficiency: 30.7%

DATE OF MANUFACTURE

WARNING: Improper installation, adjustment, alteration, service or maintenance can cause injury or property damage. Refer to the owner's information manual provided with this appliance. For assistance or additional information, consult a qualified installer, service agency or the gas supplier.

AVERTISSEMENT: Une installation, un réglage, une modification, une réparation ou un entretien mal effectué peut causer des dommages matériels ou des blessures. Voir la notice de l'utilisateur qui accompagne l'appareil. Pour de l'aide ou des renseignements supplémentaires, consultez un installateur, un technicien agréé ou le fournisseur de gaz.

160119

100001673-50

1-TCWS54ST-D







© 2019 Copyright Pacific Energy Fireplace Products LTD

Reproduction, adaptation, or translation
without prior written permission is prohibited,
except as allowed under the copyright laws.



For technical support, please contact your retailer

**Web site: www.townandcountryfireplaces.com
2975 Allenby Rd., Duncan, BC V9L 6V8**

Printed in Canada