

INSTALLER: Leave this manual with the appliance.
CONSUMER: Retain this manual for future reference.

WARNING: If the information in these instructions is not followed exactly, a fire or explosion may result causing property damage, personal injury or death.

FOR YOUR SAFETY

Installation and service must be performed by a qualified installer, service agency or the gas supplier.

WHAT TO DO IF YOU SMELL GAS

- Do not try to light any appliance.
- Do not touch any electrical switch;
- Do not use any phone in your building.
- Immediately call your gas supplier from a neighbour's phone. Follow the gas supplier's instructions.
- If you cannot reach your gas supplier call the fire department.

Do not store or use gasoline or other flammable vapors and liquids in the vicinity of this or any other appliance.

This appliance may be installed in an aftermarket permanently located, manufactured home (USA only) or mobile home, where not prohibited by local codes.

This appliance is only for use with the type of gas indicated on the rating plate. This appliance is not convertible for use with other gases, unless a certified kit is used.

This appliance is suitable for installation in a bedroom or bed sitting room.



TOWN & COUNTRY
LUXURY FIREPLACES



TCWS.54CE3 INSTALLATION AND OPERATING INSTRUCTIONS



**MODEL
TCWS.54CE3
SERIES C
MODULAR DIRECT VENT**



Table of Contents

Caution	3
Safety	3
Important Note for the Commonwealth of Massachusetts:	4
Fireplace Dimensions	5
Minimum Clearances to Combustible Material	5
Installation Requirements	6
Manufactured (Mobile) Home	6
Window Frame Removal.....	6
Locating The Fireplace	7
Standoffs.....	7
Framing and Finishing	8
Steel Stud Framing Kit.....	10
Adjustable Lintel	13
Maestro Control	14
Plumbing and Electrical	14
Gas Supply	17
Gas Pressure Check.....	17
Venting.....	18
Wall Termination Venting	18
Roof Termination Venting Chart.....	19
Vent Terminal Clearance.....	22
Vent Pipe Sealant	23
Vent Restrictor Adjustment	24
Firebox Panels Installation.....	25
Finishing Touch Trim Kit Instructions.....	26
Lighting Instructions	27
First Fire.....	27
Maestro Control System	28
Remote Control Initial Setup.....	28
Maestro Control System - Operation	29
Maintenance	32
TCWS.54CE3 Replacement Parts	33
Replacement Parts – Maestro Control System.....	34
Wiring Diagram.....	35
Roof Termination Kit	36
Vent Pipe Dimensions	37
Vent Offset Chart.....	38
Quick Panel Removal for Valve Service.....	39
Safety Label Location.....	43

Caution

FOR YOUR SAFETY - Do not install or operate your Town & Country fireplace without first reading and understanding this manual. Any installation or operational deviation from the following instructions voids the Town & Country Fireplaces™ Warranty and may prove hazardous.

This appliance and its individual shut off valve must be disconnected from gas supply piping system during any pressure testing of that system at test pressures in excess of 1/2 psig (3.5 kPa).

This appliance must be isolated from the gas supply piping system by closing its individual manual shut off valve during any pressure testing of the gas supply piping system at test pressures equal to or less than 1/2 psig (3.5 kPa).

Note: When lit for the first time, the appliance will emit a slight odour for a couple of hours. This is due to the curing of paints, sealants and lubricants used in the manufacturing process. This condition is temporary. Open doors and windows to ventilate area. Smoke and fumes caused by the curing process may cause discomfort to some individuals.

Do not use the fireplace if any part has been under water. Immediately call a qualified service technician to inspect the fireplace and to replace any part of the control system and any gas control which has been under water.

Safety

Due to high temperatures, this gas appliance should be located out of traffic and away from furniture and draperies.

Children and adults should be alerted to the hazards of high surface temperatures and should stay away to avoid burns or clothing ignition.

Young children should be carefully supervised when they are in the same room as the appliance.

Clothing or other flammable material should not be placed on or near the appliance.

Any grill, panel or door removed for servicing the unit must be replaced prior to operating. Failure to do so may create a hazardous condition.

Installation and repair should be done by a qualified service person. The appliance should be inspected before use and at least annually by a professional service person. More frequent cleaning may be required due to excessive lint from carpeting, bedding material, etc.. It is imperative that control compartments, burners and circulating air passageways of the appliance be kept clean.

It is our policy that no responsibility is assumed by the Company or by any of its employees or representatives for any damages caused by an inoperable, inadequate, or unsafe condition which is the result, either directly or indirectly, of any improper operation or installation procedures.

This appliance must not be connected to a chimney flue serving a separate solid fuel burning appliance.



We recommend that our gas hearth products be installed and serviced by professionals who are certified in the United States by the National Fireplace Institute® (NFI) as NFI Gas Specialists

WARNING



HOT GLASS WILL CAUSE BURNS.
DO NOT TOUCH GLASS UNTIL COOLED.
NEVER ALLOW CHILDREN TO TOUCH GLASS.

Important Note for the Commonwealth of Massachusetts:

From Massachusetts Rules and Regulations 248 CMR 5.08:

(a) For all side wall horizontally vented gas fuelled equipment installed in every dwelling, building or structure used in whole or in part for residential purposes, including those owned or operated by the Commonwealth and where the side wall exhaust vent termination is less than seven (7) feet above finished grade in the area of the venting, including but not limited to decks and porches, the following requirements shall be satisfied.

1. **INSTALLATION OF CARBON MONOXIDE DETECTORS.** At the time of installation of the side wall horizontal vented gas fuelled equipment, the installing plumber or gas fitter shall observe that a hard wired carbon monoxide detector with an alarm and battery back-up is installed on the floor level where the gas equipment is to be installed, in addition, the installing plumber or gas fitter shall observe that a battery operated or hard-wired carbon monoxide detector with an alarm is installed on each additional level of the dwelling, building or structure served by the side wall horizontal vented gas fuelled equipment. It shall be the responsibility of the property owner to secure the services of qualified licensed professionals for the installation of hard-wired carbon monoxide detectors.

a. In the event that the side wall horizontally vented gas fuelled equipment is installed in a crawl space or an attic, the hard-wired carbon monoxide detector with alarm and battery back-up may be installed on the next adjacent floor level.

b. In the event that the requirements of this subdivision cannot be met at the time of completion of installation, the owner shall have a period of thirty (30) days to comply with the above requirements; provided, however, that during said thirty (30) day period, a battery operated carbon monoxide detector with an alarm shall be installed.

2. **APPROVED CARBON MONOXIDE DETECTORS.** Each carbon monoxide detector as required in accordance with the above provisions shall comply with NFPA 720 and be ANSI/UL 2034 listed as IAS certified.

3. **SIGNAGE.** A metal or plastic identification plate shall be permanently mounted to the exterior of the building at a minimum height of eight (8) feet above grade directly in line with the exhaust vent terminal for the horizontally vented gas fuelled heating appliance or equipment. The sign shall read, in print size no less than one-half (1/2) inch in size, "GAS VENT DIRECTLY BELOW. KEEP CLEAR OF ALL OBSTRUCTIONS".

4. **INSPECTION.** The state or local gas inspector of the side wall horizontally vented gas fuelled equipment shall not approve the installation unless, upon inspection, the inspector observes carbon monoxide detectors and signage installed in accordance with the provisions of 248 CMR 5.089(2)(a) 1 through 4.

(b) **EXEMPTIONS.** The following equipment is exempt from 248 CMR 5.089(2)(a) 1 through 4.

1. The equipment listed in Chapter 10 entitled "Equipment Not Required To Be Vented" in the most current edition of NFPA 54 as adopted by the Board; and

2. Product Approved side wall horizontal vented gas fuelled equipment installed in a room or structure separate from the dwelling, building or structure used in whole or in part for residential purposes.

(c) **MANUFACTURER REQUIREMENTS – GAS EQUIPMENT VENTING SYSTEM PROVIDED.** When the manufacturer of Product Approved side wall horizontally vented gas equipment provides a venting system design or venting system components with the equipment, the instructions provided by the manufacturer for installation of the equipment and the venting system shall include:

1. Detailed instructions for the installation of the venting system design or the venting system components; and

2. A complete parts list for the venting system design or venting system.

(d) **MANUFACTURER REQUIREMENTS – GAS EQUIPMENT VENTING SYSTEM NOT PROVIDED.** When the manufacturer of a Product Approved side wall horizontally vented gas fuelled equipment does not provide the parts for venting the fuel gases, but identifies "special venting systems", the following requirements shall be satisfied by the manufacturer.

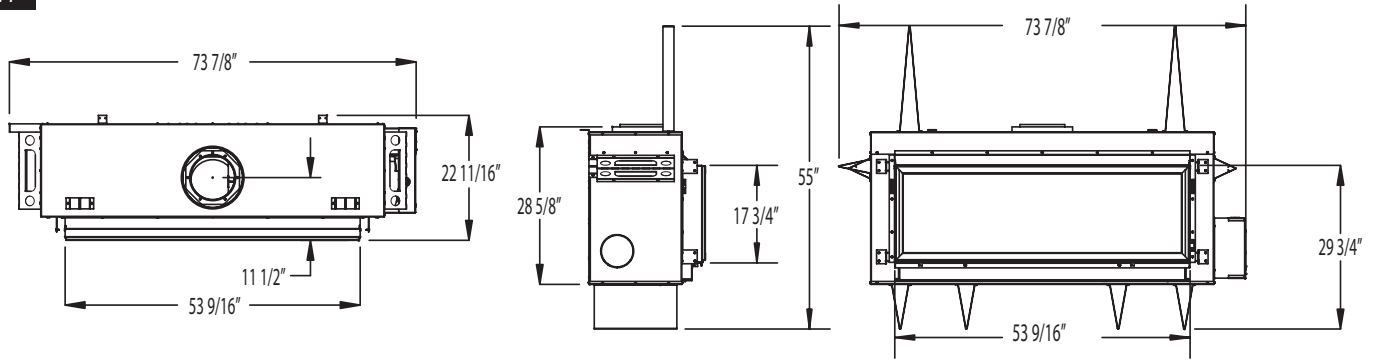
1. The referenced "special venting system" instructions shall be included with the appliance or equipment installation instructions; and

2. The "special venting systems" shall be Product Approved by the Board, and the instructions for that system shall include a parts list and detailed installation instructions.

(e) A copy of all installation instructions for all Product Approved side wall horizontally vented gas fuelled equipment, all venting instructions, all parts lists for venting instructions, and/or all venting design instructions shall remain with the appliance or equipment at the completion of the installation.

Fireplace Dimensions

Fig. #1



Minimum Clearances to Combustible Material

Fig. #2

COMBUSTIBLE FRAMING AND FINISH WALL ABOVE STANDOFFS

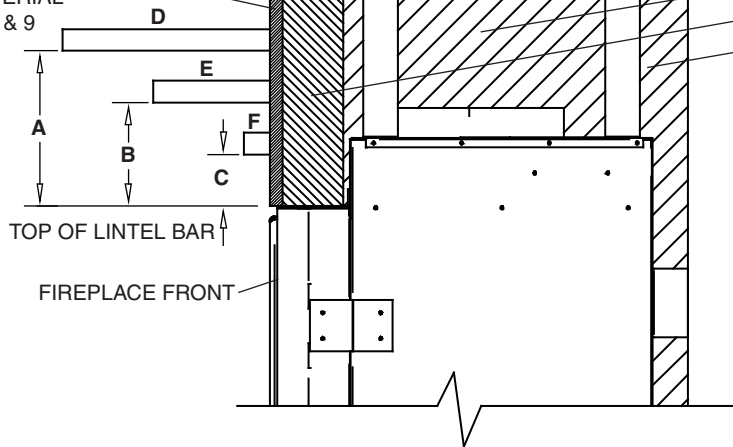
MAY USE COMBUSTIBLE FACING MATERIAL IN THIS AREA

NON-COMBUSTIBLE FINISH MATERIAL SEE FIG #8 & 9

STEEL FRAMING

STANDOFFS

NON-COMBUSTIBLE ZONE. DO NOT INSTALL ANY COMBUSTIBLE MATERIAL, ELECTRICAL WIRING OR GAS PLUMBING IN THIS AREA.

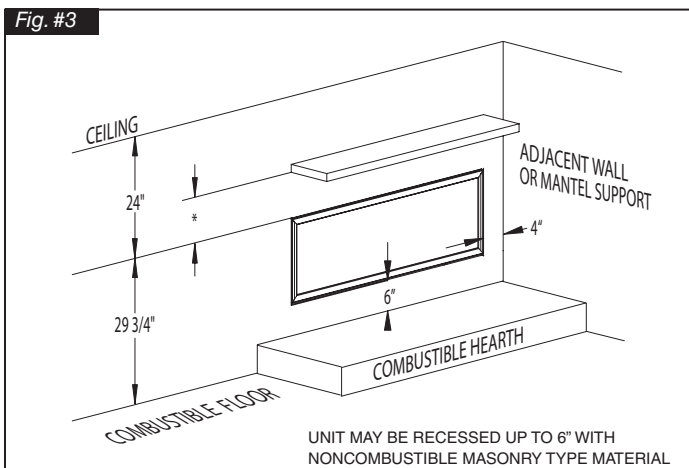


MANTEL CLEARANCE CHART

*** MANTEL CLEARANCE**

A	9"
B	6"
C	3"
** MANTEL DEPTH	
D	12"
E	6 3/4"
F	1 1/2"

Fig. #3



Minimum Clearances:

Side standoffs	0 in.	(0 mm)
Back standoffs	0 in.	(0 mm)
Top standoffs	0 in.	(0 mm)
Bottom of appliance	0 in.	(0 mm)
Adjacent side wall	4 in.	(102 mm)
Ceiling to appliance	24 in.	(610 mm)
*Mantel to appliance	See Figure #2	
**Maximum Mantel extension	See Figure #2	
Mantel support	4 in.	(102 mm)
Vertical vent pipe	1 3/4 in.	(45 mm)

Installation Requirements

The Town & Country Fireplace installation and venting must conform to the current CAN/CGA-B149 installation code (in Canada) or the current National Fuel Gas Code, ANSI Z223.1 (in the USA), and approved per local codes. Only qualified (licensed or trained) personnel should install this product.

In the state of Massachusetts, only a licensed Plumber and Gas Fitter may install this product.

Manufactured (Mobile) Home

In some jurisdictions, the Town & Country Fireplace may be installed in Manufactured Homes after the "first sale". **Consult local codes for approval.** The fireplace must be fastened in place.

Install in accordance with the current standard Mobile Homes, CAN/CSA Z240 MH (in CANADA), and the Manufacturer's Home Construction and Safety Standard, Title 24 CFR, Part 3280 or the current Standard for Fire Safety Criteria for Manufactured Home Installations, Sites and Communities ANSI/NFPA 501A (in the USA).

Window Frame Removal

Warning: Turn off the fireplace, and allow ample time for the unit to cool before proceeding.

Caution: The ceramic glass is very fragile, and should be handled with care.

The window frame is held in place by two spring-loaded latches that are operated by a one-piece latch handle.

1. Remove the TC Finishing Touch Trim Kit from the window frame. (If installed)
2. Using a screwdriver or other similar object, push against the notch in the top of the latch and grab the bottom of the latch handle as it protrudes. Lift handle until latch hook disengages. Repeat for other side while holding glass so it does not tip out. Fig #4, 5 & 5a.
3. Tilt the top of the window frame out to clear the top edge of the unit. Grasp the sides of the frame and lift up and out to disengage from its bottom track.
4. Place the window frame in a safe place to avoid damage.
5. Re-assemble in reverse order. Latch handle should snap into place and be flush with window frame when engaged correctly.

TIP:

To ensure glass is properly latched, grasp the top left and right sides of the glass frame, under moderate pressure it should pull forward and return to original position evenly on both sides.

6. Reinstall Trim Kit if required.

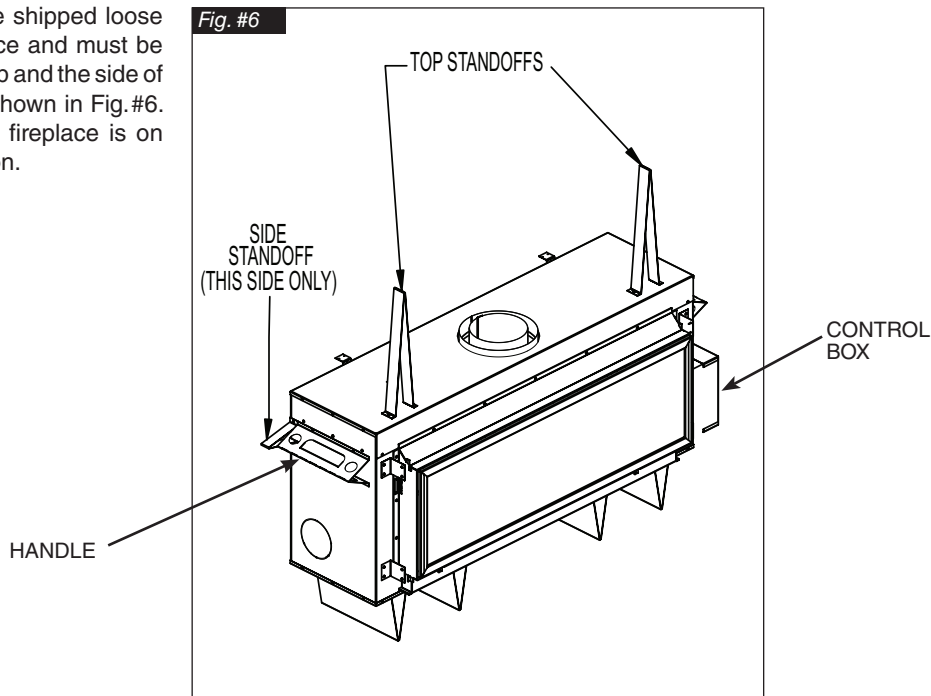


LATCH HANDLE



Standoffs

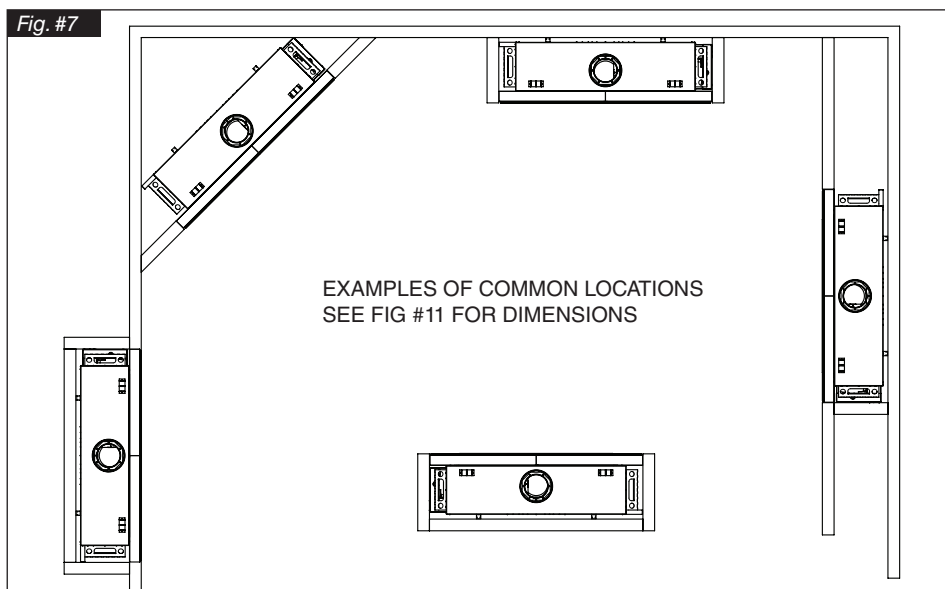
The standoffs are shipped loose inside the fireplace and must be installed on the top and the side of the fireplace as shown in Fig.#6. Do this once the fireplace is on site and in position.



Locating The Fireplace

In planning the installation for the fireplace, it is necessary to determine where the unit is to be installed, location of vent system and where gas supply piping may be plumbed. Various installations are possible, such as, into an existing wall, a corner, a built-in wall or a wall projection (Fig. #7). Due to high temperatures, do not locate this fireplace in areas of high traffic or near furniture or draperies.

The minimum clearances from the fireplace to combustible surfaces must be adhered to and are shown in Fig. #2 and Fig. #3.



Framing and Finishing

Note: The fireplace should be in place and venting installed before framing in or building an enclosure around the unit.

The Town & Country fireplace must be framed in as described below or totally enclosed with non-combustible material, such as facing brick.

Determine the total thickness of facing material to be used. A thickness of 3/4" will allow the finishing surface to be flush with the front of the unit. If preferred, additional masonry type non-combustible material can be installed above and to the sides up to 6 inches forward of the appliance.

The finishing material must not interfere with glass frame access.

A Steel Stud Framing Kit is supplied with the fireplace and must be used unless the fireplace is totally enclosed with non-combustible material. Assemble the framing kit as per the instructions on pages 10 – 13 of this manual. Attach the steel frame to the fireplace once the fireplace is in its final

position. Secure the steel frame to the framing brackets on each side of the unit. Ensure that the studs are set back far enough to allow for thickness of finishing surface.

The sides, back and top of the fireplace can be framed in up to the steel studs and the fireplace standoffs using conventional lumber. Consult local building codes for specific requirements.

Due to high temperatures, non-combustible backer board, such as cement board or its equivalent, must be used to sheet in the front of the fireplace, extending 12" below, 12" above and 9 5/8" to the side of the framing edge bars. (Fig. #9) Standard sheetrock (dry wall) may be used beyond this.

If the backer board is not to be finished with other non-combustible material such as tiles, it is recommended that the instructions in Fig.#9a be followed closely.

Chase Insulation: When installing this fireplace against a non-insulated exterior wall or chase, it is recommended that the outer walls be insulated to the same degree as other exterior walls. Do not place fireplace directly against the insulation. Cover the insulation and plastic vapour barrier with a solid surface, such as dry wall (sheetrock). Consult local codes. Do not insulate or use plastic vapour barrier within the framing kit.

CAUTION: SEE FIGURE #9a BEFORE PROCEEDING.

NOTE:

The chase must be properly sealed at the ceiling level or between floors in a multilevel installation.

Fig. #8

NON-COMBUSTIBLE ZONE. DO NOT INSTALL ANY COMBUSTIBLE MATERIAL, ELECTRICAL WIRING, INSULATION, PLASTIC VAPOR BARRIER OR GAS PLUMBING WITHIN THE STEEL STUD FRAMING

STEEL STUD FRAMING KIT DIMENSIONS (Supplied with fireplace)

ALL OTHER FRAMING CAN BE DONE WITH CONVENTIONAL LUMBER

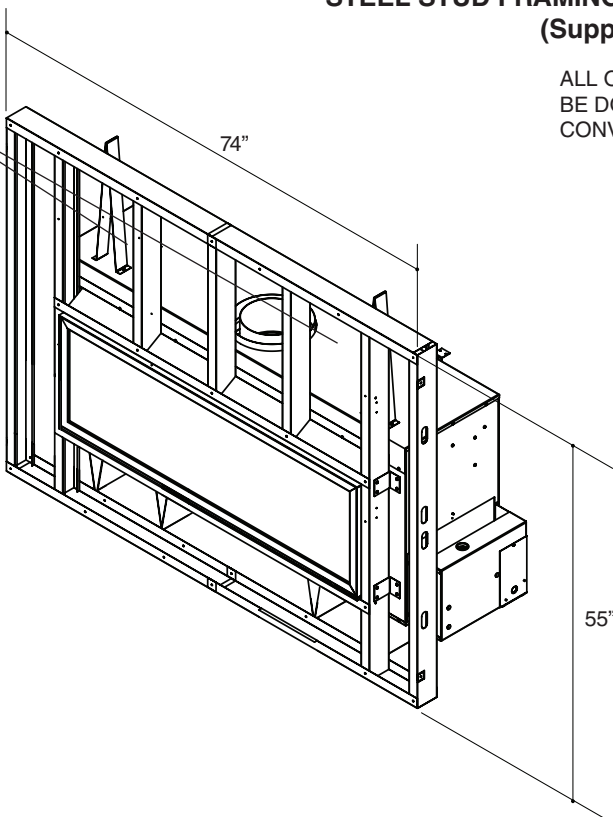


Fig. #9

NON-COMBUSTIBLE BOARD DETAIL

NON-COMBUSTIBLE BOARD

NON-COMBUSTIBLE MATERIAL MUST EXTEND 12" ABOVE, 9 5/8" TO THE SIDES AND 12" BELOW THE FRAMING EDGES.

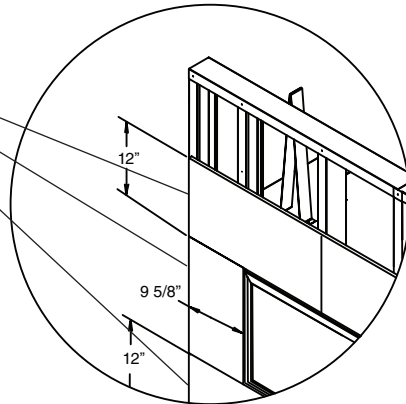


Fig. #9a

IT IS RECOMMENDED TO USE FULL SHEETS OF CALCIUM SILICATE BOARD OR ITS EQUIVALENT AND FULL LENGTH METAL STUDS TO FINISH AND FRAME AROUND THE UNIT.

FOLLOW THE MANUFACTURERS MOUNTING AND FINISHING INSTRUCTIONS CLOSELY.

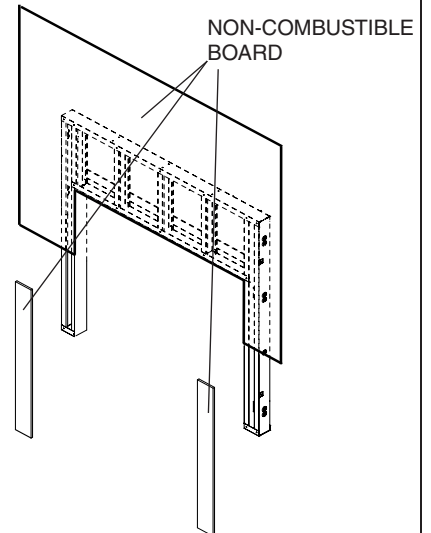


Fig. #10

NON-COMBUSTIBLE RECESSED INSTALLATION DETAIL

NON-COMBUSTIBLE BOARD

STEEL STUDS

NON-COMBUSTIBLE MASONRY TYPE MATERIAL

MAXIMUM FACING DEPTH

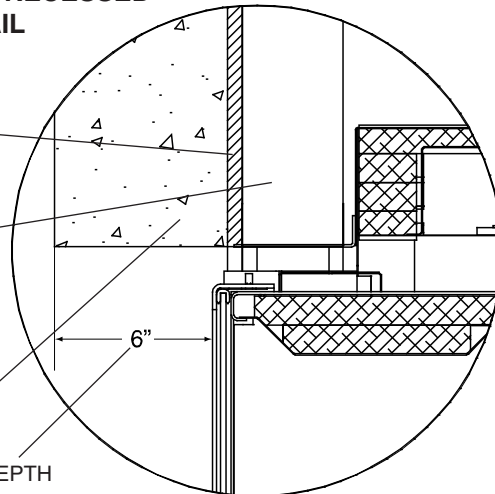
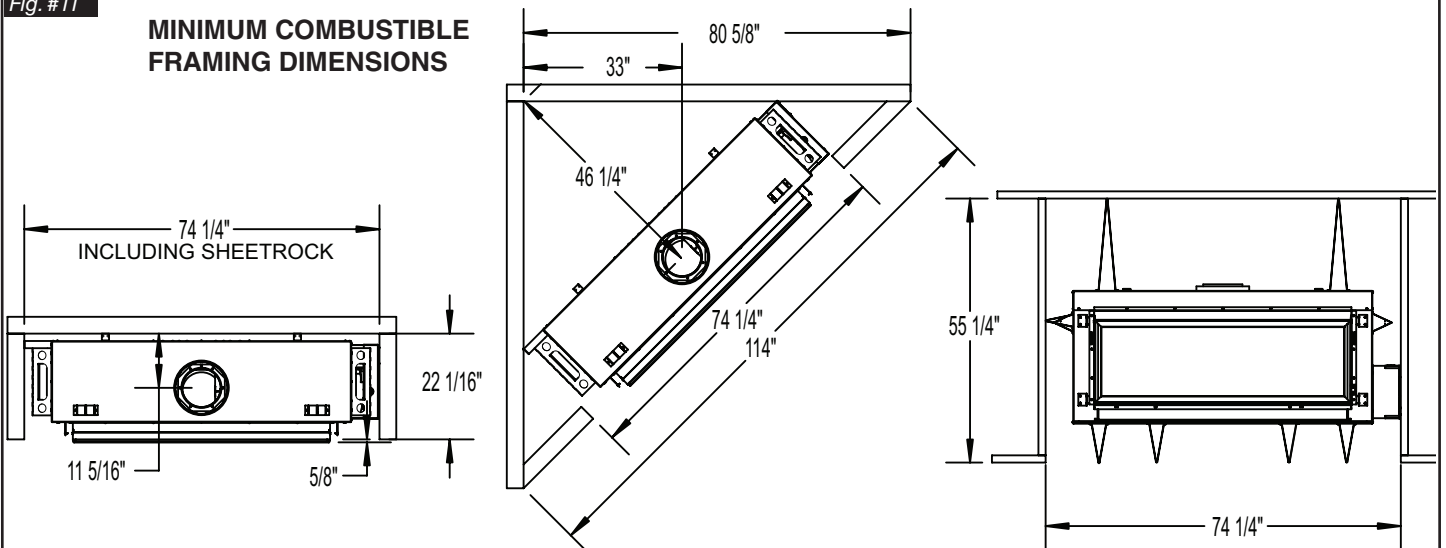


Fig. #11

MINIMUM COMBUSTIBLE FRAMING DIMENSIONS

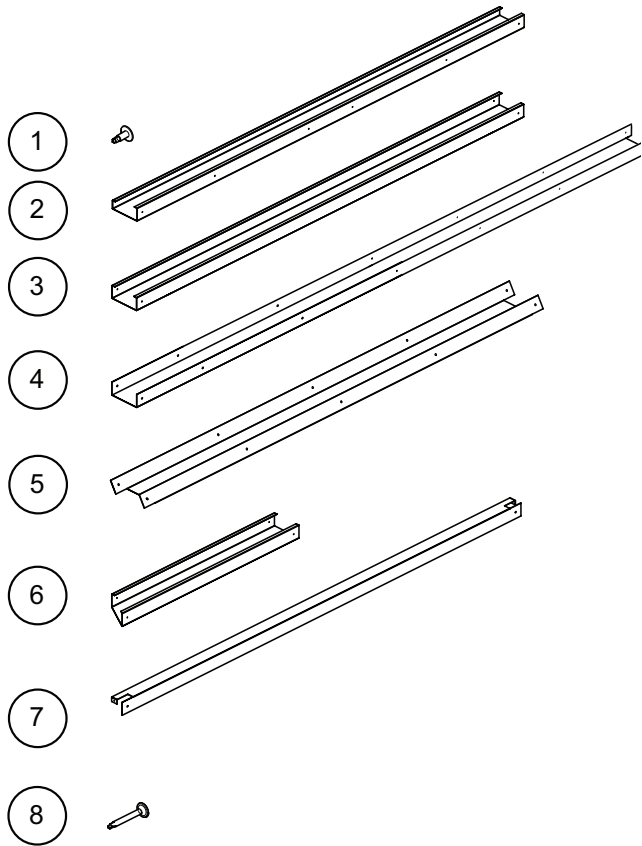


NOTE: FIREPLACE SHOULD BE IN ITS FINAL LOCATION BEFORE FRAMING.

Steel Stud Framing Kit

TCWS.54FRKIT

Each Kit Contains:



Item	Part #	Description	Qty.
1	5049.9912	SCREW, WAFER #8 x 1/2	Pkg 40
2	8293.4	STUD, SIDES 55" L	2
3	8293.2	STUD, OUTER SIDES 55" L	2
4	8293	STUD, UPPER/LOWER 75 1/4" L	2
5	8293.6	INNER CROSS BRACE 56 5/8" L	1
6	8293.8	STUD, CENTER 25" L	3
7	8293.9	LOWER CROSS BRACE 56 5/8" L	1
8	5049.993	SCREW, DRYWALL 1 1/4"	Pkg 30

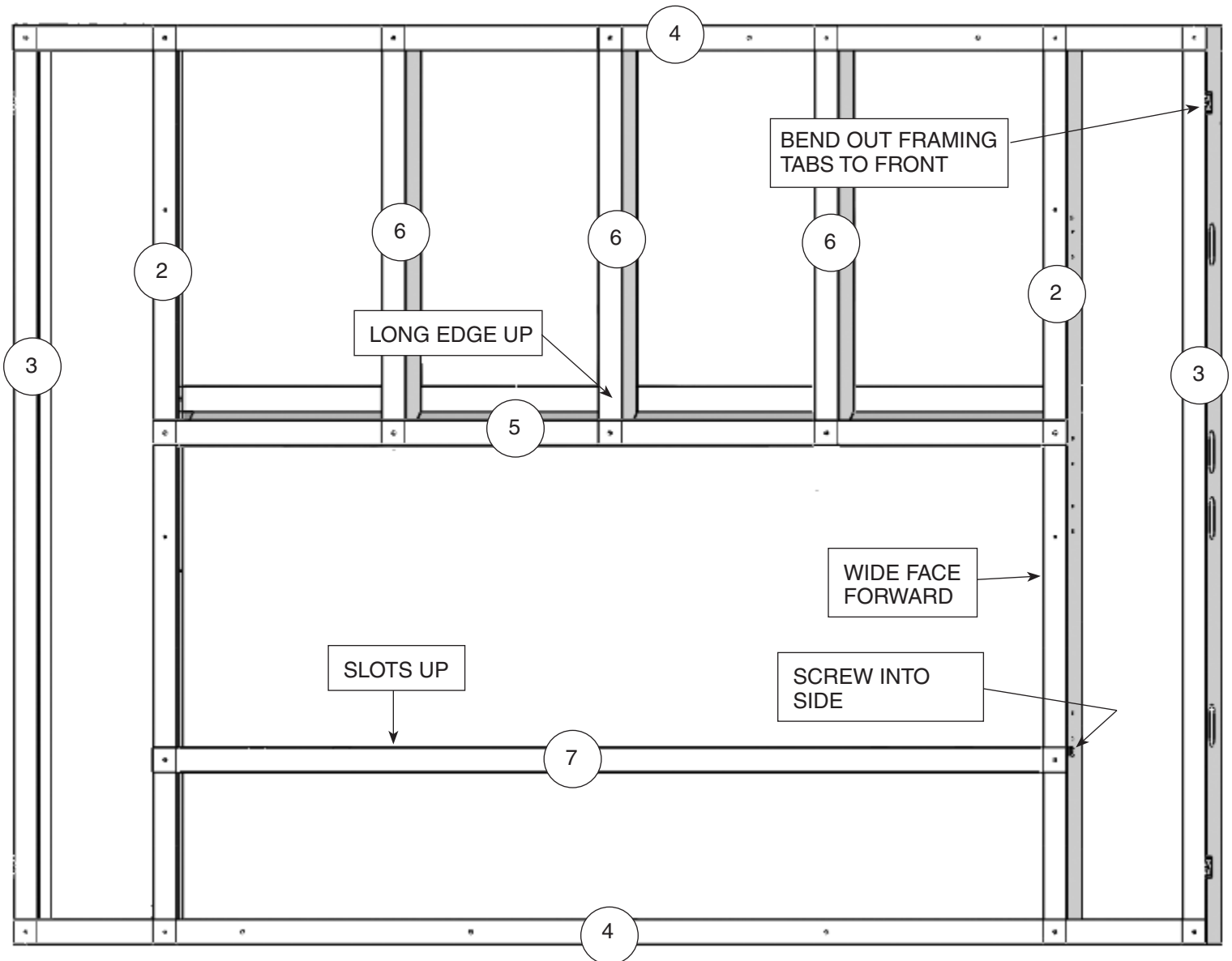
NOTE: Sheet metal parts have sharp edges, use caution when handling.

1. Frame Assembly

- Place 2 of (4) together as a top.
- Place 1 of (6) into the joint with the long edge facing up. Align the 3 holes and screw together with wafer screw (1)
- Attach the remaining (6) in the same manner at holes to the left and right of the center.
- Attach (2) with wide edge face up.
- Attach (5) to (6) and (2).
- Attach (7) to (2) using 1 screw through the top and 1 screw through the side at each end.
- Attach (3), 1 on each side with bend out tabs to the front.
- Place 2 remaining pieces of (4) together at the bottom of the framing kit in the same manner as the top, screw them together and attach to the inner steel studs.
- Turn the framing kit over and secure all studs from the back.

Fig. #12

FRONT VIEW (slightly angled)



2. Attach the Assembled Frame to the Unit

- Align the assembled frame to the unit framing brackets. (Fig #13) Attach at the fastening points through the access holes in the outer side studs (3).

3. Secure to Existing Framing

- Bend out the tabs 90 degrees before inserting the unit into its framed housing (Fig. #14).
- Secure the frame assembly to the wood frame through the tabs.

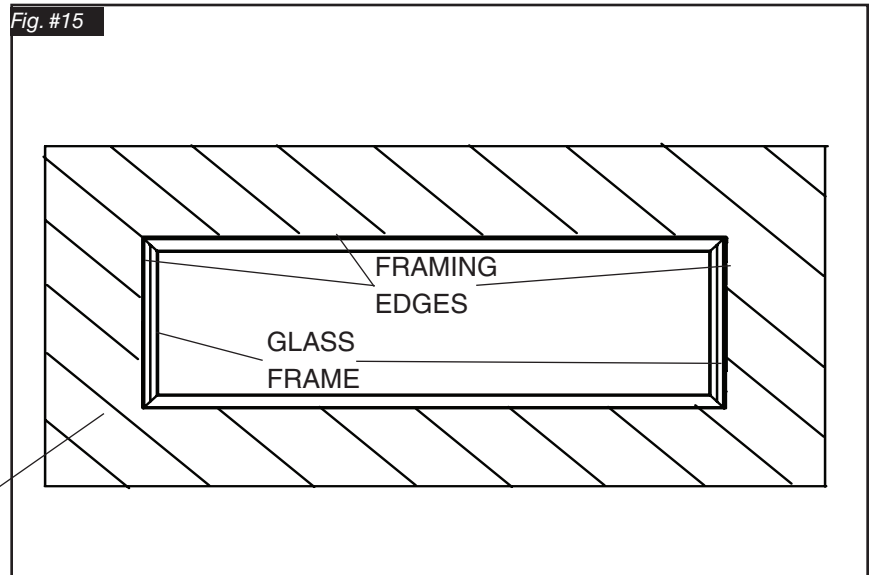
4. Install Non-Combustible Board (not supplied)

- Use drywall screws 8 to install the non-combustible board (8).



This fireplace may be recessed up to a maximum depth of 6"; this recess must be constructed from non combustible material. The space between the outside lintels and the firebox must be completely free of any obstructions or debris and the window with trim fitted must be able to move freely. No building material is permitted to protrude past the lintel bars attached to the fireplace under ANY circumstance.

NON COMBUSTIBLE
FINISH MATERIAL



Adjustable Lintel

1. The adjustable lintel assembly has two orientations for desired finishing. A flanged edge and a hemmed edge. The lintel comes factory installed with the flange edge out. If the desired edge is different from the factory setting, use the following steps to change it(Fig.#21).
2. Remove the window trim (Fig.#22).
3. Loosen the securing bolts in the upper and lower corners on each side of the lintel and remove the lintel. Rotate the assembly to have the desired edge away from the fireplace(Fig.#23).
4. The lintel assembly has a maximum range of adjustability of 1" to accommodate varying facing material thicknesses. The maximum depth is 6" (Fig.#25).
5. The lintel assembly can then be adjusted to align flush with your facing material by sliding in or out approximately 1".
6. Tighten the securing bolts. (Fig.#23).
7. Re-attach the window trim.

Fig. #16

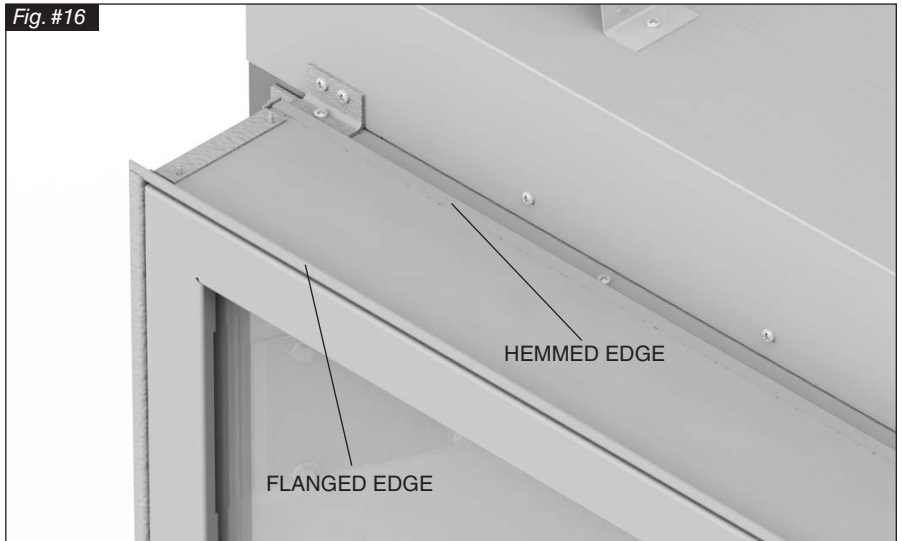


Fig. #17



Fig. #18



Maestro Control Plumbing and Electrical

The gas control system is located on the right hand side of the firebox behind an access panel and the decorative firebox panel (if installed). The fireplace is operated via a wall switch and a hand held remote control unit.

The wall control is connected to the fireplace by a 25 ft. communication cable supplied with the fireplace. The communication cable can be extended with an optional 25 ft. extension kit.

Installation

1. Place the fireplace in the desired location.
2. Remove the window from the fireplace.
3. Remove access panel from right hand side of the firebox (Fig. #20).
4. Lift the control box heat shield from the bottom opening to clear the location tabs and pull inwards. Lower the heat shield to clear the top tab. Lift the heat shield and locate on the screw above the opening. (Fig. #21 & 22)

NOTE: The flex lines may have to be pushed down to allow the shield to be lowered enough to clear the top tab.

5. Connect an unswitched 110 V.AC electrical supply to the outlet installed inside the control box. The supply should be wired to the latest version of National codes (CSA C22.1, ANSI/NFPA 70) and or local codes. (Fig. #23A)

The electrical wires can be accessed from both inside and outside the control box by removing one of the two small access panels (Fig #23B)

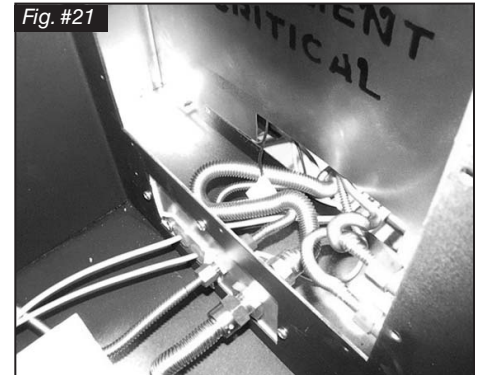
The wires from inside the outlet box are connected to the 110 V.AC supply (Fig.#23C)

6. Connect the gas supply to the valve (Fig. #19).
7. Plug the A/C adaptor into the outlet (Fig. #23).
8. Attach the electrical box for the supplied wall control to the framing in the desired location (up to 50 ft. away). (25 ft. is supplied with fireplace. An additional 25 ft. can be achieved by using the optional kit (Part # 5005.064) available from your dealer).

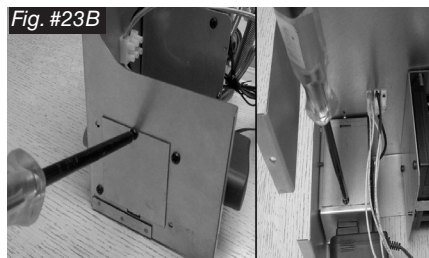
WARNING: The control box heat shield and access panel must be replaced. Failure to do so will overheat and cause premature failure of the control.



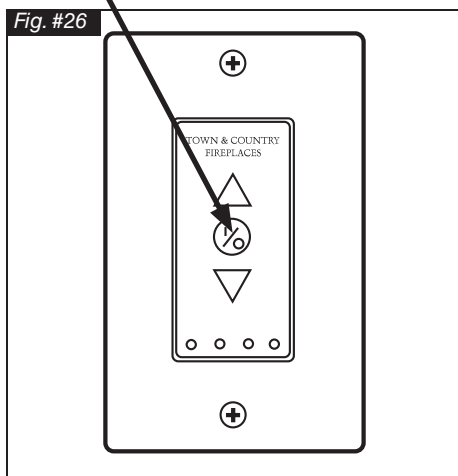
ACCESS PANEL



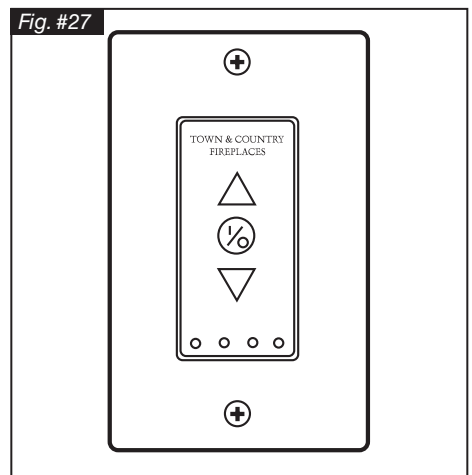
OUTLET A/C ADAPTER GAS CONNECTION



9. Route the communication cable as required to the wall control electrical box.
10. Attach the communication cable to the wall control. (Fig. #24)
11. Insert the 4 supplied "AA" batteries into the battery pack and connect to wall control. (Fig. #25) **(DO NOT INSTALL BATTERIES IF FIREPLACE IS CONNECTED TO A POWER VENT)**
12. Fasten the wall switch to the electrical box.
13. Fasten the faceplate to switch.
14. If not already installed, install the burner and media set using the instructions supplied with the burner kit.
15. Turn on the gas supply and check that all connections are tight and leak free.
16. Turn on gas and electrical supplies.
17. Press the center button on the wall control (Fig. #26). The igniter will start to spark. After a short time the pilot will light, followed by the main burner.



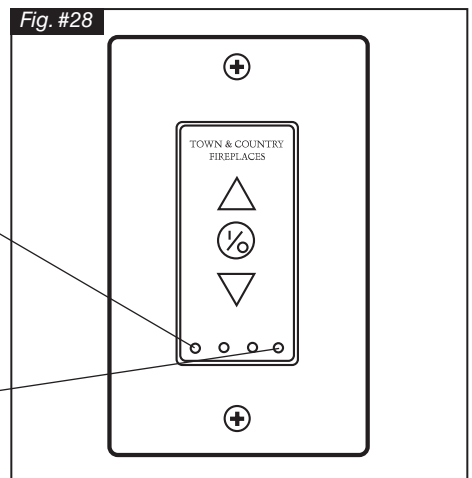
18. Press the up button on the wall control and hold it for 5 seconds or until a clicking sound is heard from the gas control (Fig. #27). Release the button, check manifold pressure and ensure that it's correct. (Refer to Burner installation manual)
19. Press the center button of the wall control. The fireplace will shut off.
20. Install the remaining screws in the access panel and tighten.
21. Remove the pressure gauge and the extension test fitting and thread the pressure test port plug into the pressure test port. Thread sealant is required on the threads. (Refer to Burner installation manual)
22. Turn the fireplace on and verify that the connections are tight.



Standing Pilot Function

(Only for use where permitted)

The control system on this fireplace is set to operate as electronic ignition. If required the system can be converted to a standing pilot by depressing a recessed button located on the lower right hand side of the wall control. (Fig. #28) This should be depressed with a paperclip, pencil or other thin object. Once activated the pilot will run continuously. Please check with your local inspector to ensure that this is permitted in your area.



Pre-Purge Mode

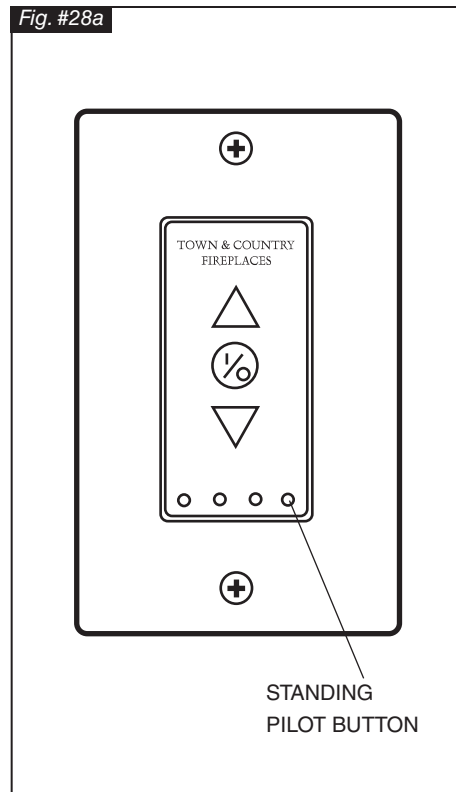
For use with a power vent only.

Follow these instructions to activate the power vent pre-purge feature. This feature must be activated for the safe operation of an appliance equipped with a power vent.

Switching to the power vent pre-purge mode:

1. To turn feature ON and OFF, press and hold the STANDING PILOT button on the wallswitch for 10 seconds (Fig.#28a).
2. When the feature is activated, the green LED should flash (0.5 seconds ON, 0.5 seconds OFF) 5 times.
3. When the feature is deactivated, the red LED should flash (0.5 seconds ON, 0.5 seconds OFF) 5 times.
4. When the pre-purge feature is ON:
 - The low battery backup warning feature will be disabled and the LED will not flash to indicate low battery (The battery backup must be removed when using a power vent).
 - The Standing Pilot feature will be deactivated (feature not available when Power Vent Pre-Purge Mode is active).
 - Upon receiving any ON command, the power vent output will close immediately, but the ignition cycle will NOT begin for 10 seconds (pre-purge). **This means that the module WILL NOT emit a spark and WILL NOT energize the pilot operator and the 60 second ignition trial period WILL NOT begin until the 10 second pre-purge delay is complete.**
 - Upon receiving any ON command, the green LED will flash (0.5 seconds ON, 0.5 seconds OFF) for 10 seconds so the user will know that the fireplace is operating.

Fig. #28a



NOTE:

The pre-purge feature must be activated for the safe operation of an appliance equipped with a power vent.

Gas Supply

Caution: The gas line should be installed by a qualified service person in accordance with all building codes. This section is intended as a guide for qualified technicians installing this appliance. Consult local and/or national building codes before proceeding.

- Gas supply line access holes are located at the top and left sides of the Control Box. Gas valve inlet accepts a 3/8" N.P.T. fitting. Correct gas line diameter must be used to assure proper operation and pressure.
- The fireplace has an input rate of 54,900 BTU/HR on both Natural Gas and Propane.
- **NOTE: A sediment trap, as per national fuel gas code, must be installed in the gas supply line no more than 6 feet from the gas control valve to minimize the possibility of any loose scale or dirt within the gas supply line from entering the control valve.**
- **DO NOT HARD PIPE GAS LINE TO VALVE.** A method of disconnecting the valve from the gas line such as a union or flare fitting must be provided to allow for repair or replacement of the gas valve.

Check local codes for additional requirements.

1. Connect the gas supply to the valve (Fig. #29)
2. Turn on the gas supply and check that all connections are tight and leak free.

WARNING: Use EXTREME CAUTION when using soap and water to do a leak test on the valve/fittings. There are electronics around and below the valve, that can/will be damaged if they come in contact with water.

WARNING: The access panel including gasket must be reinstalled after conversion/installation or servicing has been completed. Failure to do so will cause overheating and premature failure of the control system.

Gas Pressure Check

Note: To test the gas pressure, turn off the gas supply before removing the plug from the supply pressure test port or manifold pressure test port.

Verify gas pressures with the fireplace lit and on the highest setting.

Please refer to the Burner Installation Manual for gas pressure testing procedure.

Correct gas pressure requirement:

	Natural Gas	Propane
Min. Pressure <small>(For purpose of input adjustment)</small>	5.0" WC	12.5" WC
Max. Pressure	13.9" WC	13.9" WC
Manifold Pressure		
Maximum	3.8" WC	11" WC
Minimum	2.1" WC	5.5" WC

GAS VALVE INLET

Fig. #29

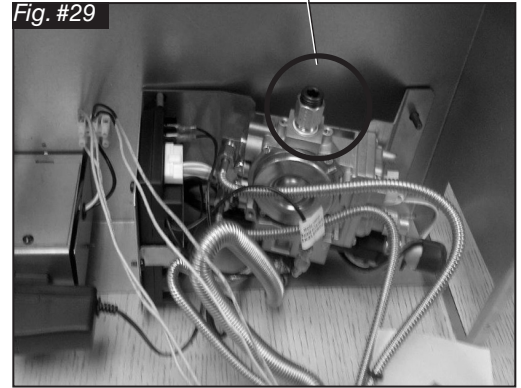
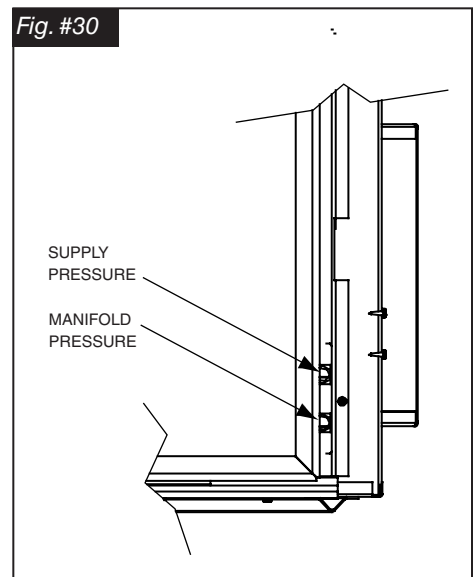


Fig. #30



Venting

Before installing venting for this unit, the installer should read these instructions to insure that the proper vent configuration has been selected.

Use only Town and Country Termination kits #:

TCVT.RTA - Roof Termination Kit

Vent system components approved for use with the Town and Country Fireplace are shown in Fig. #31.

NOTE: Optional Power Vents (TCVT.PVB2,TVCT.PVC1,TCVTPVC2, and TCVT.PVC3) require different venting. Please refer to Power Vent manuals.

Various combinations of vent runs may be used. Refer to Fig. #31 for details. For optimum performance and flame appearance, keep the vent length to a minimum and limit the number of elbows. Connections between each vent system component must be tightly joined, secured with sheet metal screws and sealed with high temperature self adhesive tape.

VENT SUPPORTS: A minimum of 1 support every 4' must be used.

CAUTION: UNDER NO CONDITION SHOULD COMBUSTIBLE MATERIAL BE CLOSER THAN 1 3/4 INCHES FROM ANY PART OF THE VENT PIPE.

Wall Termination Venting

This fireplace can only be wall terminated using the TCVT. PVOC1, TCVT.PVOC2 or TCVT. PVOC3 power vent kit. Please see the instructions supplied with the kit for installation details.

Roof Termination Venting Chart

Various combinations of vent runs may be used. Refer to Fig. #31 for details. For optimum performance and flame appearance, keep the vent length to a minimum and limit the number of elbows. Connections between each vent system component must be tightly joined, secured with sheet metal screws and sealed.

Fig. #31

CAUTION:

Under no condition should combustible material be closer than 1 3/4 inches from any part of the vent pipe.

Only 45° elbows can be used in this vent system. Maximum number of elbows is 2.

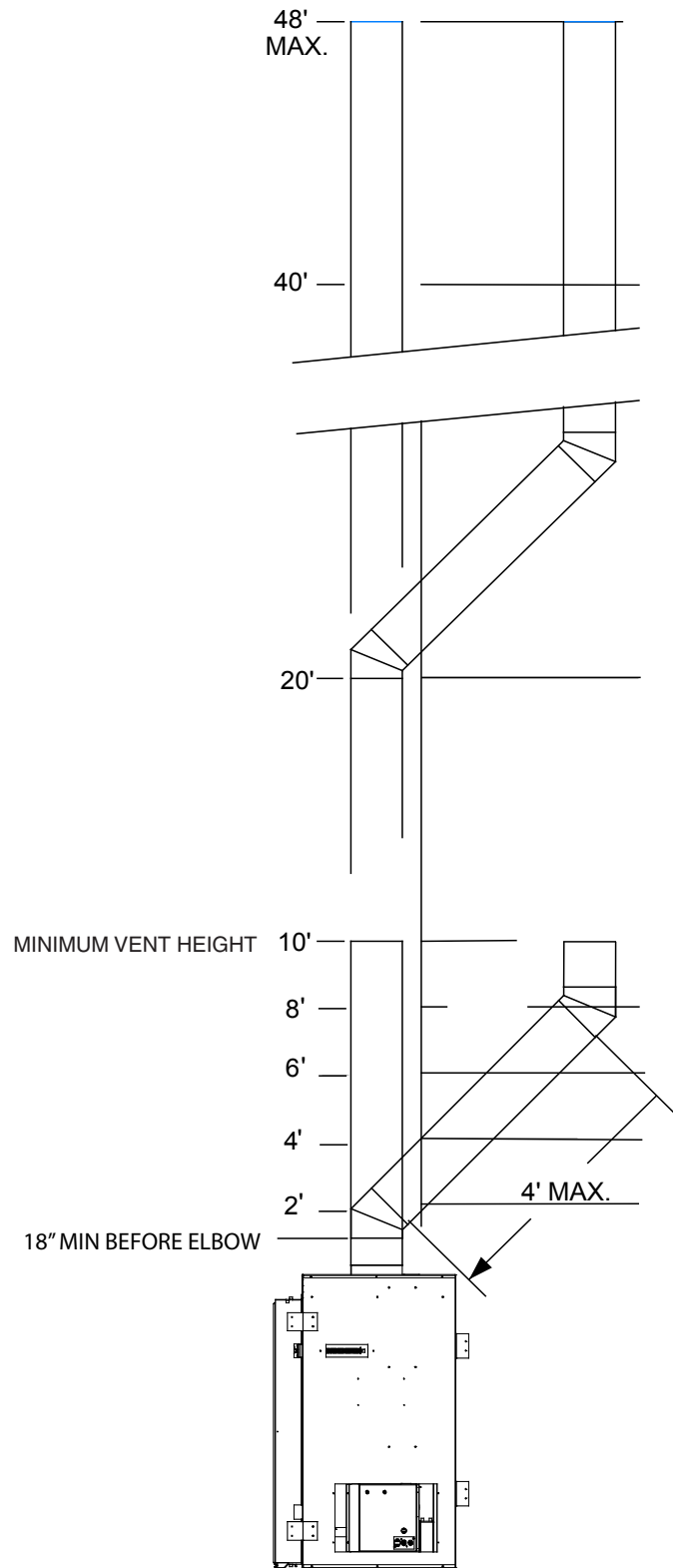
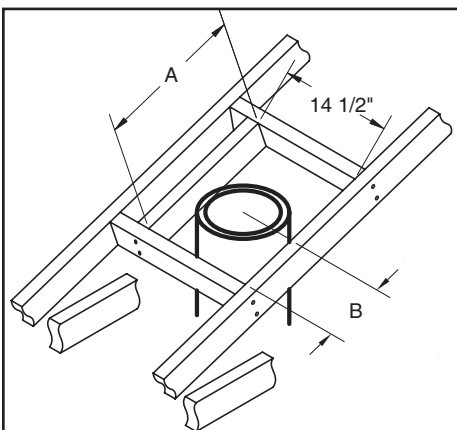


Fig. #32



Size of the opening will have to increase with the pitch of the roof to ensure a 1 3/4" inch air space clearance between vent pipe and combustibles.

Roof Pitch	A	B
0/12	14 1/2"	7 1/4"
4/12	16 1/2"	8 3/4"
6/12	18"	10"
8/12	19 3/4"	11"
12/12	24"	13 3/4"

Ceiling Opening:

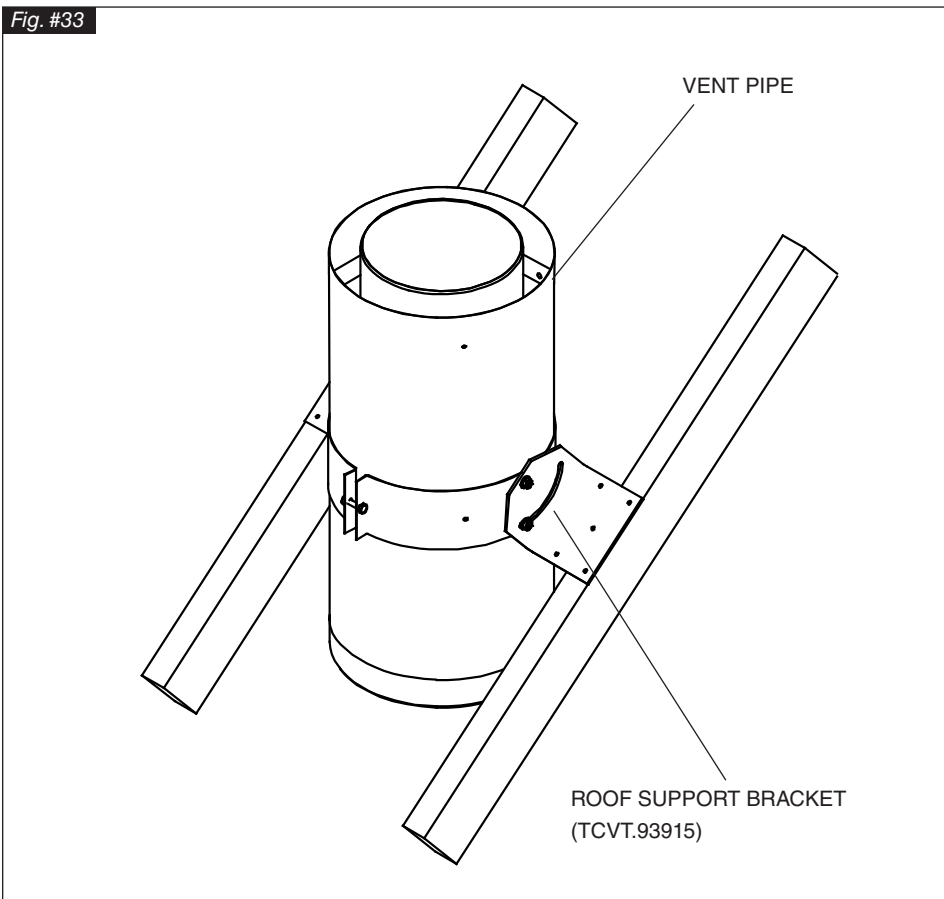
1. Determine the exact position of the fireplace so that the vent pipe is centered (if possible) between two building framing members. Lay out the vent system path, minimizing the number of elbows and length of vent. Consult your local building codes prior to proceeding.
2. Cut and frame a 14 1/2" opening in the floor, ceiling or roof where the vent system will pass. Size of the opening in the roof may need to be increased as the pitch of the roof increases. Avoid cutting rafters.

Ceiling Firestop:

Where a vent pipe passes through a floor or ceiling, a ceiling firestop (TCVT.THIMA) must be used to retain insulation and maintain proper clearances.

From below, push the ceiling firestop through the opening and secure in place. If the firestop is used to penetrate a floor, the outer shield may be trimmed in length. If the firestop penetrates into an attic, leave the shield full length to keep insulation away from the vent pipe. Additionally, after the vent pipe is in place, install a storm collar on top of the shield. This will prevent loose insulation from falling into the area between the vent pipe and the shield.

Fig. #33



Vent Pipe:

1. Install the first section of vent pipe into the collar on top of the fireplace. Secure in place with screws and seal with approved "High Temperature" self-adhesive aluminium tape provided.
2. Continue adding vent pipe lengths up and through the firestop(s) and through the roof. The vent pipe must extend above the roof according to the sloped roof table in Fig. #36.

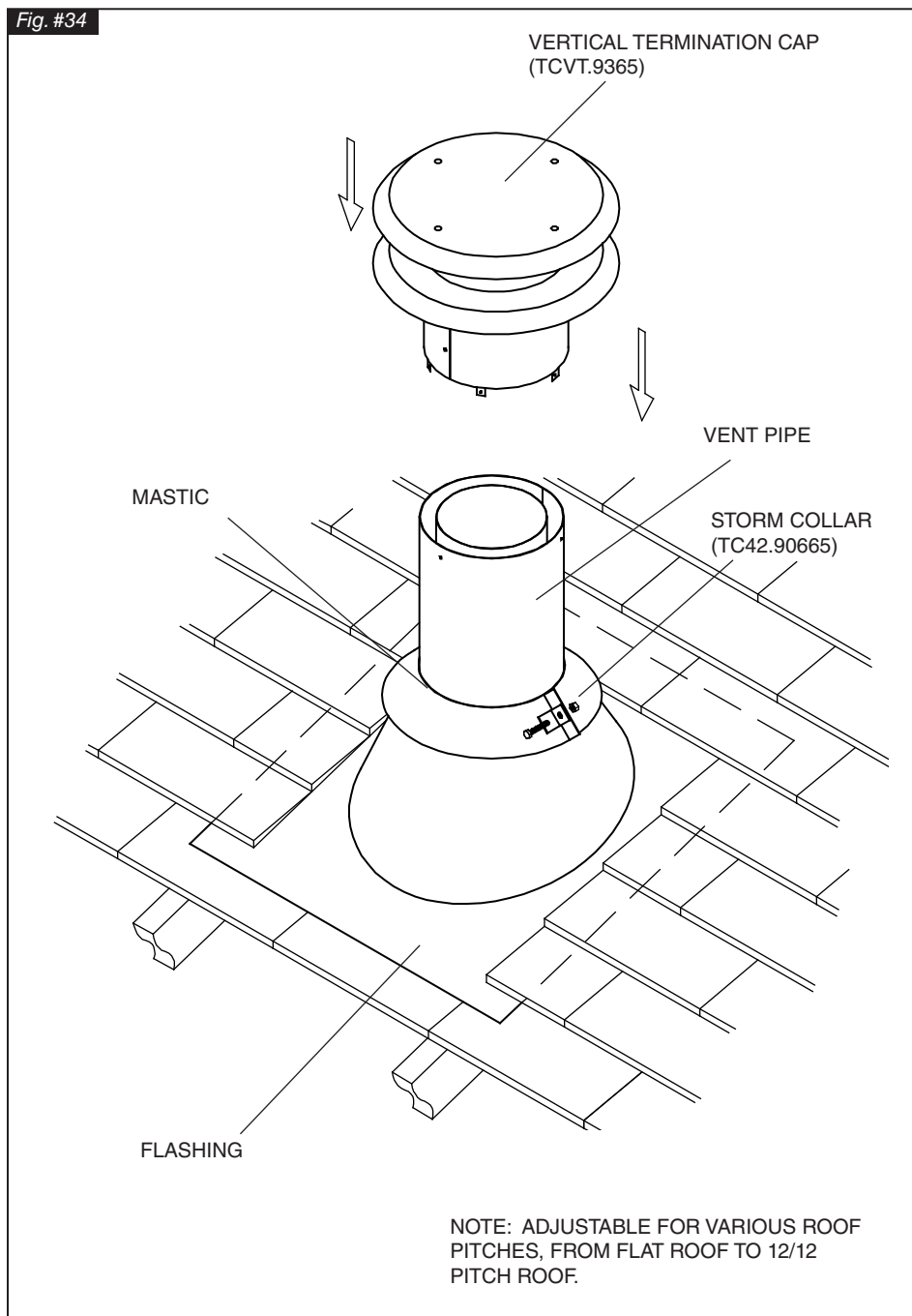
Seal the vent pipe as per "Vent Pipe Sealant" section.

Roof Support Bracket:

Slip the roof support bracket down over the vent pipe. Rotate the 90° brackets to accommodate roof pitch. Attach the brackets to the roof joists with nails or building screws. Tighten the band around the vent pipe and secure in place with screws.

Roof Vent Terminal:

1. Place the roof flashing over top of the vent pipe and seal it to the roof using the methods and materials appropriate for the type of roof on the building. Shingle roof example shown. (Fig. #34)
2. Place the storm collar down over the vent pipe until it is level. Tighten storm collar for a snug fit. Apply a thick horizontal ring of mastic around the pipe at top of the storm collar. (Fig. #34)
3. Lower the roof vent terminal cap over the vent pipe and secure in place with screws provided. (Fig. #34) Seal screw heads and joint with caulking to prevent any moisture entering the venting system.



Vent Terminal Clearance

Minimum clearances to the vent terminal must be maintained as shown in figure #35. Measure clearances to the nearest edge of termination hood.

NOTE: Vent terminal must not be recessed

NOTE: LOCAL CODES OR REGULATIONS MAY REQUIRE DIFFERENT CLEARANCES.

Fig. #36 Terminal to Sloped Roof Pitch Table

	(minimum)	
	ft	m
Flat to 6/12	1.00	0.30
Over 6/12 to 7/12	1.25	0.38
Over 7/12 to 8/12	1.50	0.46
Over 8/12 to 9/12	2.00	0.61
Over 9/12 to 10/12	2.50	0.76
Over 10/12 to 11/12	3.25	0.99
Over 11/12 to 12/12	4.00	1.22

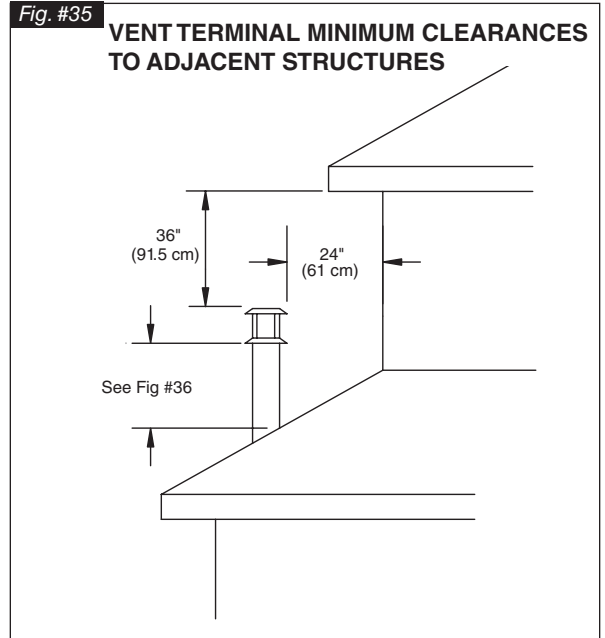
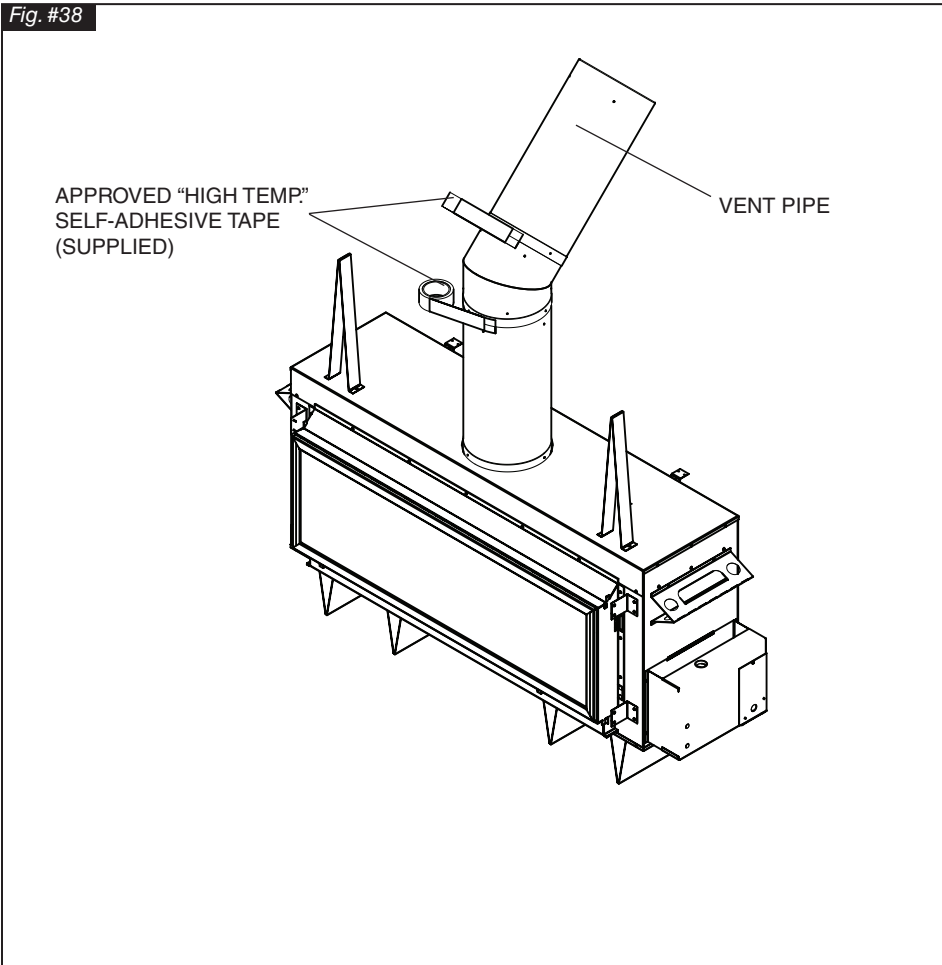


Fig. #37

Vent System Components	Town & Country
12" Pipe Length	TCVT.811X12
18" Pipe Length	TCVT.811X18
24" Pipe Length	TCVT.811X24
48" Pipe Length	TCVT.811X48
12" Adjustable Pipe Length	TCVT.811X12ADJ
45° Elbow	TCVT.811XLB45
Wall/Offset Support	TCVT.811XOS
A minimum of 1 support every 4' must be used.	
Roof Termination Kit	TCVT.RTA
Wall Shield/Ceiling Firestop	TCVT.THIMA
Roof Flashing, Adjustable	TCVT.811FLADJ
Roof Flashing, Flat	TCVT.811FLFLT
Roof Flashing, Steep	TCVT.811FLSTP
	or any flashing that fits 11" pipe

Vent Pipe Sealant

Fig. #38



All outer joints of the vent pipe must be sealed with the approved "High Temperature" self-adhesive aluminium tape provided. Wrap the tape completely around the joint and press firmly in place.

Inner pipe does not need to be sealed.

Vent Restrictor Adjustment

The vent restrictor is located on the underside of the firebox top. The unit leaves the factory with the vent restrictor open. The restrictor is built into the appliance for secondary air flow adjustment. Adjustment enables tuning the airflow for optimum flame appearance and performance for a wide variety of vent configurations.

Setting:

- determine the vent height.
- determine the vent horizontal length.
- from the chart determine the restrictor position.

Refer to the chart in Fig. #39 for the correct position of restrictor for the vent configuration of your installation. Restrictor positions are based upon lab tests. The ideal position may vary slightly with installation.

Restrictor position is too closed if the flame has the following characteristics:

- Flame is excessively tall and lifting.
- Flame lacks movement.
- Flame soots.

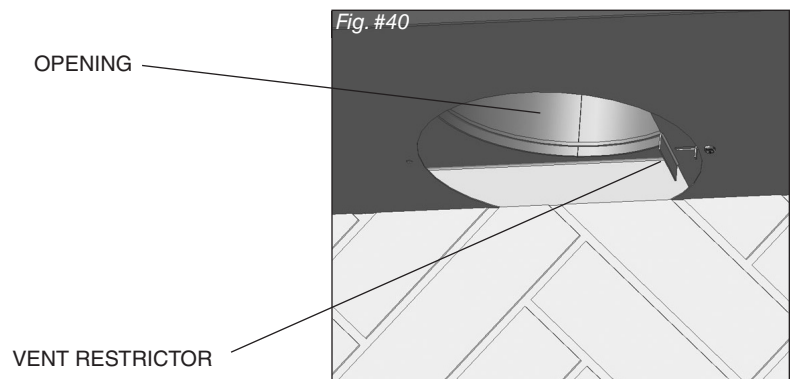
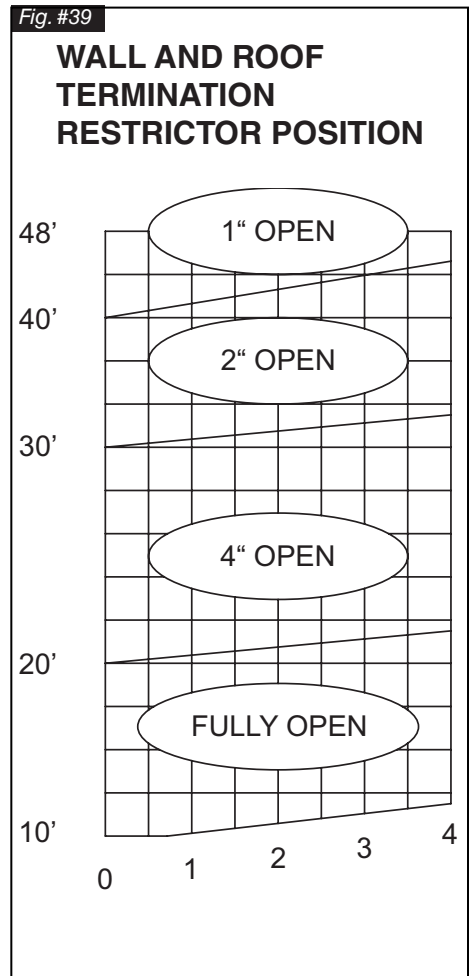
Restrictor position is too open if the flame has the following characteristics:

- Flame height is low.
- Flame has excessive movement.

To adjust the restrictor:

- Loosen the screw holding the restrictor.
- Move the restrictor to its intended opening.
- Re-tighten the screw.

CAUTION: The vent restrictor must be fully open when using the TCVT.PVB2 or TCVT.FMPV power vent kit to vent this fireplace.



Firebox Panels Installation

1. Remove the 2 inner screws from the upper heat shield. (Fig. #41)



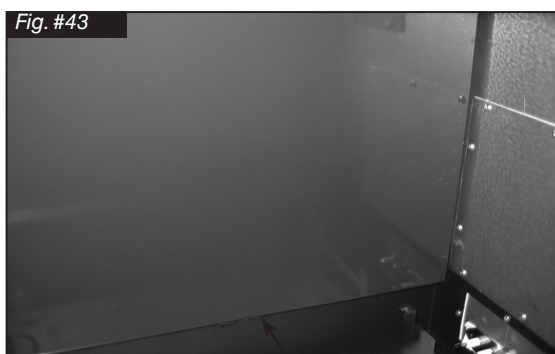
2. Slip the top porcelain panel into the lip at the front of the firebox and tip the panel up to align with the screw holes. Secure with the previously removed screws. (Fig. #42)



3. Insert the back panel into the firebox by tilting the panel and rest the panel on the seat tabs at the back of the firebox. (Fig. #43)

NOTE: Seat tabs can be lowered if the rear panel is tight.

NOTE: Centering tabs on the panel should be located at the outside of the seat tabs.



4. While supporting the back panel insert the left side panel into the firebox. Position the top of the panel against the side of the unit, inserting the top panel tab into the slot at the top of the side panel and slide the bottom into position. (Fig. #44)

NOTE: Notch at bottom of side panel faces to front of unit.

5. Repeat step 4 for the other side panel.

NOTE: Install burner now.

6. Place the front panel on the front lip of the firebox, wide flange facing the front. (Fig. #45)(Proceed to step #7 if you are installing a TCWS.54NG03.C2 Black Diamond burner with this unit.)

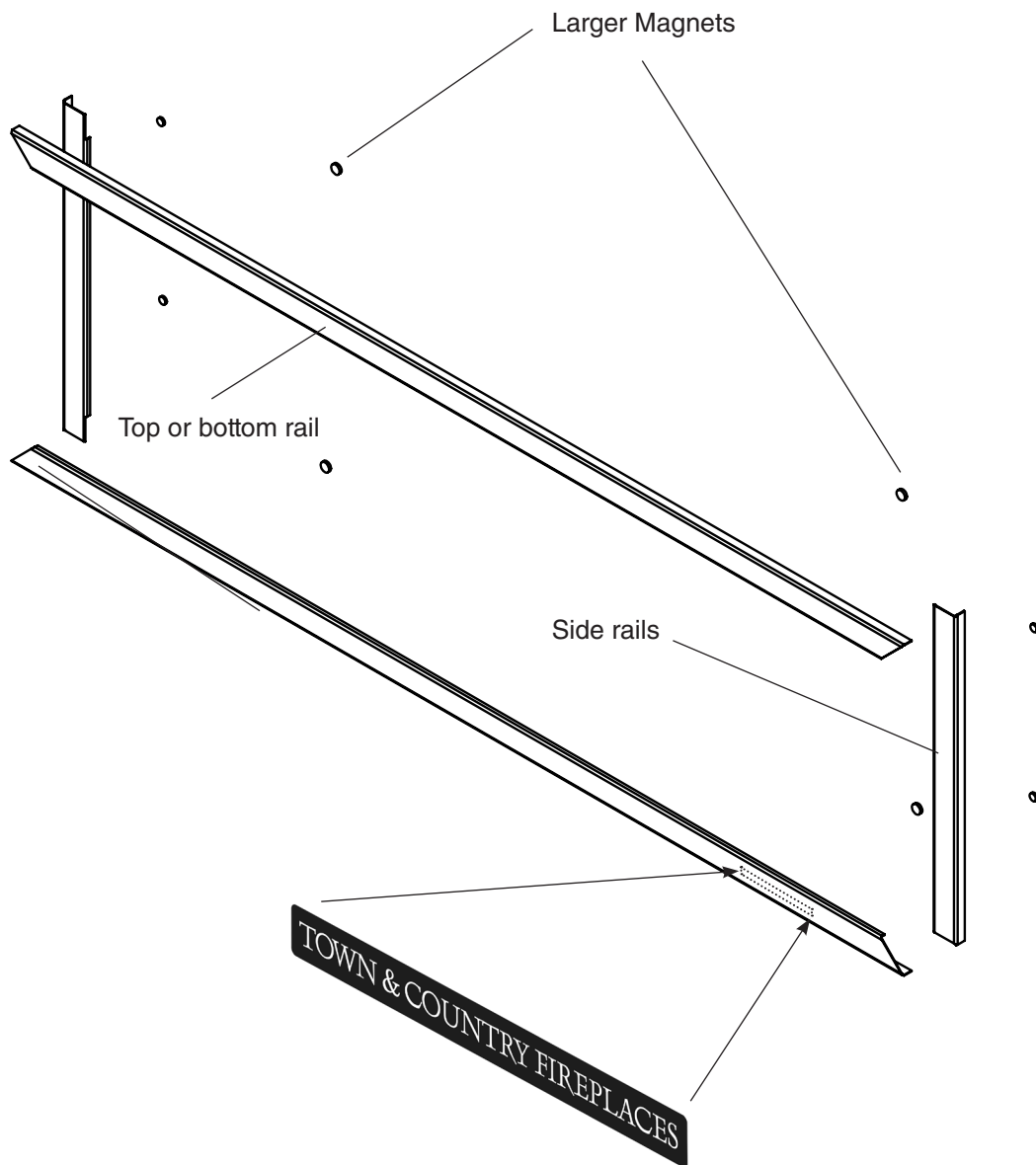


7. Place the other front panel piece at the rear of the firebox with the wide flange facing to the rear against the back panel.



Finishing Touch Trim Kit Instructions

1. Place two smaller magnets on back of each side rail.
2. Place two larger magnets on back of the top and bottom rails.
3. Attach the side rails. Even the ends up with the door frame.
4. Attach the top and bottom rails and adjust so mitres are even at the corners.
5. Place TC magnetic logo in bottom right corner.



Lighting Instructions

FOR YOUR SAFETY READ BEFORE LIGHTING

WARNING: If you do not follow these instructions exactly, a fire or explosion may result causing property damage, personal injury or loss of life.

- A. This appliance is equipped with an ignition device which automatically lights the pilot. Do not try to light the pilot by hand.
- B. **BEFORE LIGHTING** smell all around the appliance area for gas. Be sure to smell next to the floor because some gas is heavier than air and will settle on the floor.
- WHAT TO DO IF YOU SMELL GAS:**
- Do not try to light any appliance.
 - Do not touch any electric switch; do not use any phone in your building.
 - Immediately call your gas supplier from a neighbour's phone. Follow the gas supplier's instructions.
 - If you cannot reach your gas supplier, call the fire department.
- C. Use only your hand to push in or turn the gas control knob. Never use tools. If the knob will not push in or turn by hand, don't try to repair it, call a qualified service technician. Force or attempted repair may result in a fire or explosion.
- D. Do not use this appliance if any part has been under water. Immediately call a qualified service technician to inspect the appliance & to replace any part of the control system & any gas control which has been under water.

LIGHTING INSTRUCTIONS

1. STOP! Read the safety information above on this label.
2. Set wall switch/ hand held remote to lowest setting.
3. This appliance is equipped with an ignition device which automatically lights the pilot. Do not try to light the pilot by hand.
4. Push the "On/ Off" switch to the fireplace Off.
5. Allow sufficient length of time (minimum 5 minutes) for any gas in the combustion chamber to escape. If you still smell gas, STOP! Follow "B" in the safety information above on this label. If you don't smell gas, go to the next step.
6. Push the "On/ Off" switch to turn the fireplace on.
 - If the burner does not light, repeat steps 4 through 6.
 - If the burner will not light or stay lit after several tries, push the "On/ Off" switch to the fireplace off and call your service technician or gas supplier.
7. Set fireplace to desired setting by using either the wall switch or hand held remote.
Note: Sufficient time must be allowed for air to escape from lines if the unit is being lit for the first time.

TO TURN OFF GAS TO APPLIANCE

1. Set wall switch / hand held remote to lowest setting.
2. Push the "on/ off" switch to the "Off" position.
3. Turn off all electric power to the appliance and remove backup batteries if service is to be performed or for extended shutdown.

Due to high surface temperatures, keep children, clothing and furniture away. Keep burner and control compartment clean. See installation and operating instructions accompanying the appliance.
A cause de la température élevée des parois, tenir éloignés les enfants, les vêtements et les meubles. Maintenir propres le brûleur et le compartiment de commande. Voir les instructions relatives à l'installation et au fonctionnement qui accompagnent l'appareil.

CAUTION: Hot while in operation. Do not touch. Severe burns may result. Keep children, clothing, furniture, gasoline and other liquids having flammable vapours away. Keep burner and control compartment clean. See installation and operating instructions accompanying the appliance.

ATTENTION: L'appareil est chaud lorsqu'il fonctionne. Ne pas toucher l'appareil. Risque de brûlures graves. Surveiller les enfants. Garder les vêtements, le meubles, l'essence ou autres liquides produisant des vapeurs inflammables loin de l'appareil. S'assurer que le brûleur et le compartiment des commandes sont propres. Voir les instructions d'installation et d'utilisation qui accompagnent l'appareil.

310106

5051.173

5-TC30

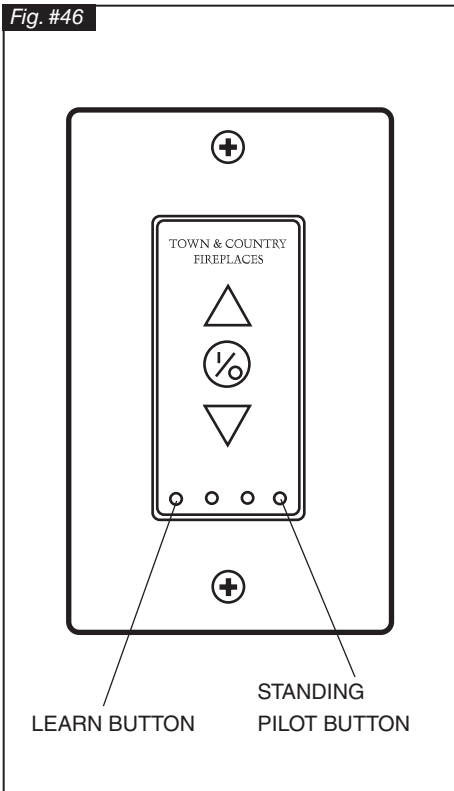
First Fire

When lit for the first time, the fireplace will emit a slight odour for a couple of hours. This is due to the curing of paints, sealants and lubricants used in the manufacturing process. This condition is temporary. Open doors and windows to ventilate area. Odour caused by the curing process may cause discomfort to some individuals.

It is normal for fireplaces fabricated of steel to give off some expansion and/or contraction noises during the start up or cool down cycle. Similar noises are found with your furnace, heat exchanger or cook stove oven.

Maestro Control System Remote Control Initial Setup

Fig. #46



This fireplace is supplied with a wall control and hand held remote control.

Please note only genuine Town & Country Fireplace wall controls and hand held remote controls can be used on this fireplace.

1. Initial set up of the hand held remote is required. A “learn” button is located on the lower left hand side of the wall switch. This should be depressed with a paperclip, pencil or other thin object. (Fig. #46)
2. Once this has been pressed, press the center button on the hand held remote. (Fig. #47) The fireplace will then turn on.
3. Turn off the fireplace by pressing the center button again. The handset is now synchronized with the fireplace.

Initial Settings

(Time and temperature)

1. Press and hold the A1 and A2 buttons at the same time until the temperature symbol flashes. (Fig. #48)
2. Use the up and down arrows to set preferred temperature units. (°F or °C)
3. Press OK and the “hour” value will start to flash.
4. Use the up and down arrows to set the “hour” value.
5. Press OK and the “minute” value will flash.
6. Use the up and down arrows to set the “minute” value.
7. Press OK and the “day” value will flash.
8. Use the up and down arrows to set the “day” value
9. Press OK to end initial set up.

Fig. #47

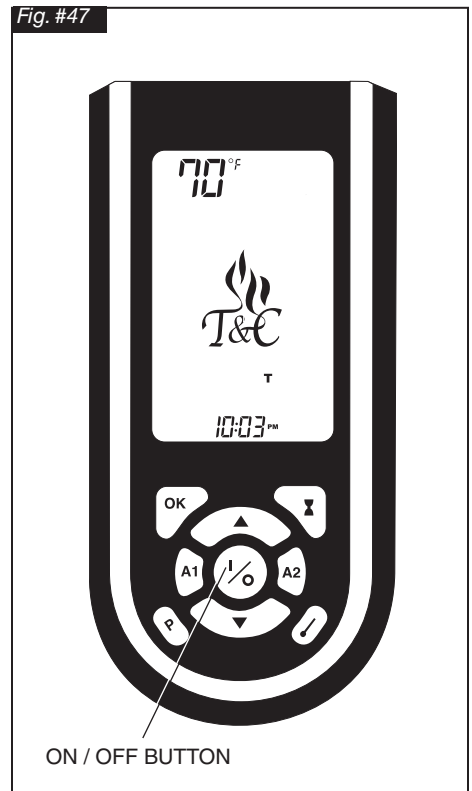
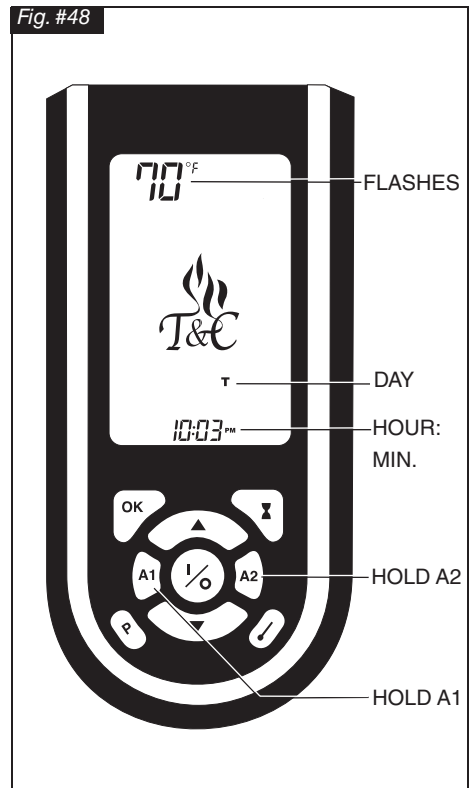


Fig. #48

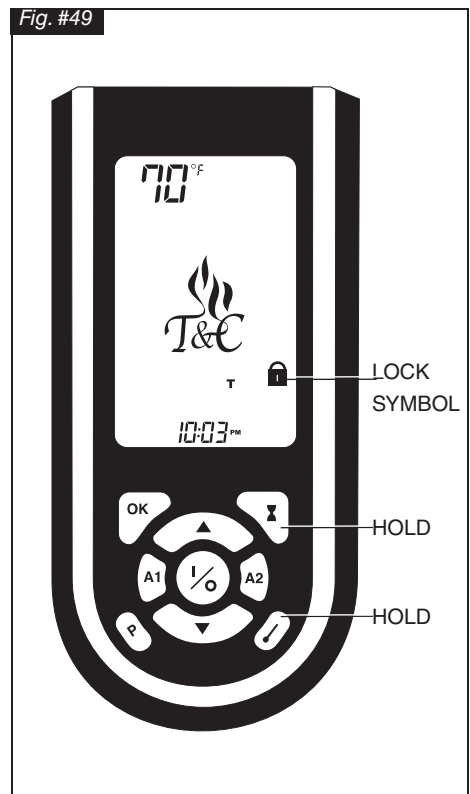


Childproof Lock

An additional feature of this remote control is the childproof lock. To activate this system press and hold the timer and thermostat buttons for approx. 5 seconds until the “lock” symbol appears on the remote display. (Fig. #49) The remote control hand set buttons are now locked and the lock symbol will reappear every time a button is pressed on the remote control until the timer and thermostat buttons are pressed and held again.

Note: The fireplace can still be operated normally using the wall control even with the remote control buttons locked.

Fig. #49



Maestro Control System - Operation

Each Town & Country Maestro Control system comes equipped with a manual mode on the wall control and hand held remote, and three programmable modes accessible with the hand remote.

Manual Mode

(On remote and wall control)

Basic operation of the fireplace can be performed with the wall control or remote hand set. (ON / OFF, as well as flame modulation UP/ DOWN).

The center button on the remote control can be used to turn the fireplace ON and OFF. With the fireplace off, press the center button to turn it on. (The “MAN” and flame icons will be displayed on the screen) A second push will turn it off. (The “MAN” and flame icons will disappear from the screen)

When the fireplace is on, the up and down buttons located above and below the center button are used to modulate the flame height. (Fig. #50)

Countdown Timer Mode

(Operates the fireplace for a preset length of time)

1. Press the timer button and the time will flash on the lower center of the display. (Fig. #51)
2. When display is flashing, use the up and down arrows to set the length of time you would like the fireplace to run. (The range is 10 minutes minimum to 180 minutes maximum). (Fig. #52)
3. Press the OK button and the timer is set and the control is in countdown timer mode.
4. To exit the timer mode press the Program, Manual or Thermostat buttons. Please note that the first press of the Manual button will turn the fireplace off.

Fig. #50

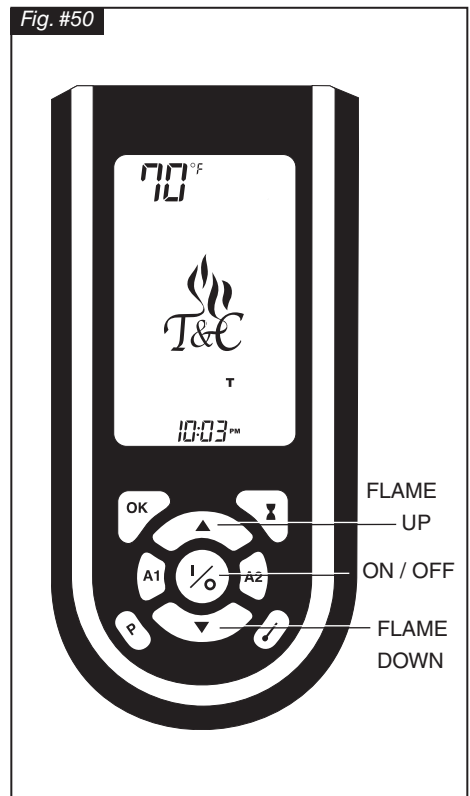
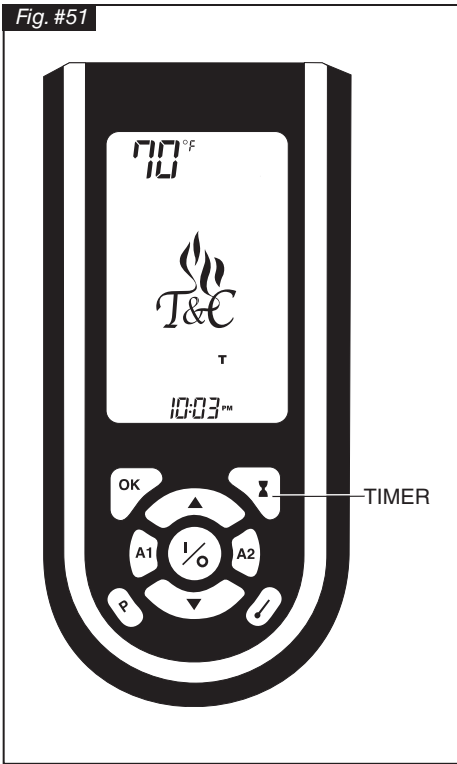


Fig. #51



Program Mode

(To preset up to two on and off periods per day)

The program mode has two settings for weekdays and two for weekends. The hand held remote comes with the following pre programmed settings:

Weekday Program (Monday through Friday)

Program one (P1) turns ON at 7:00am and turns OFF at 8:00am

Program two (P2) turns ON at 5:00pm and turns OFF at 7:00pm

Weekend Program (Saturday and Sunday)

Program one (P1) turns ON at 9:00am and turns OFF at 10:00am

Program two (P2) turns ON at 6:00pm and turns OFF at 9:00pm

Activate the programs by pressing the program button on the lower left hand side of the remote hand set. (Fig. #53)

To customize these settings:

1. Hold the program button down until the display flashes. (P1, weekday ON time - [Fig. #54])
2. Use the up and down buttons to change the time to the desired ON time.
3. By pressing the OK button, the P1 weekday OFF time will flash. (Fig. #54)
4. Use the up and down buttons to set the desired OFF time.
5. Press the OK button and the P2 weekday ON time will flash.
6. Repeat the process to set the P2 weekday, P1 weekend and P2 weekend programs.
7. When the P2 OFF time is set and the OK button is pressed the display will stop flashing and the remote will be in program mode.

Fig. #53



Fig. #52

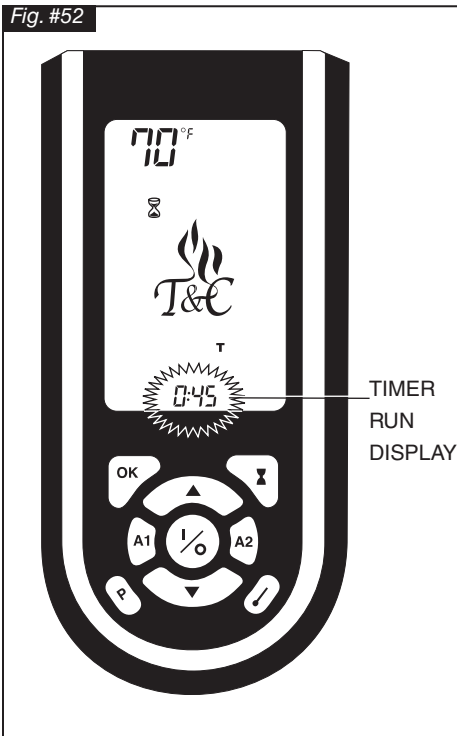
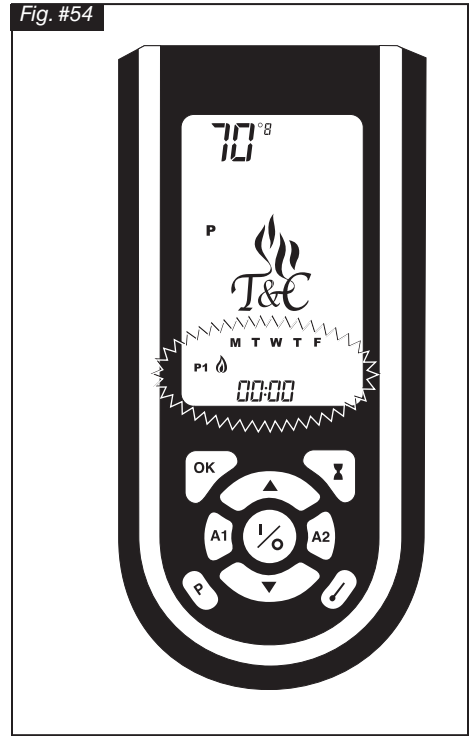


Fig. #54

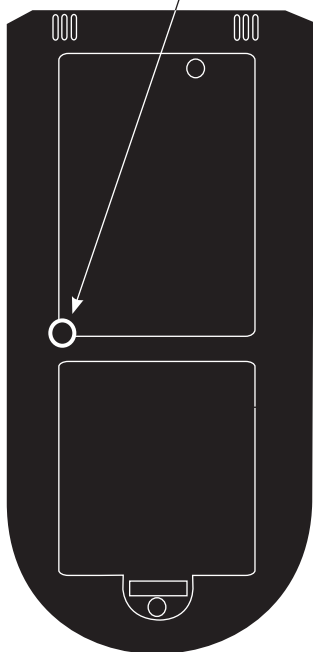


The program settings are now stored in the remote handset and will not change unless the above process is repeated or the batteries are removed from the handset.

To switch out of program mode, simply press one of the manual, timer or thermostat mode buttons. Please note that if the manual button is pressed it will turn the fireplace off.

Fig. #55

THERMOSTATIC MODE
BUTTON



Thermostatic Mode (Only for use where permitted)

(Operates the fireplace within a set temperature range)

The fireplace is shipped with thermostatic mode function deactivated. If this function is permitted for use in your area it can be activated by depressing the recessed button on the **back of the hand held remote**. (Fig. #55) Once activated the thermostat symbol (Fig. #56) will be displayed when the thermostat button is pressed

To activate a set point temperature:

1. Press the thermostat button to activate the thermostat mode. The temperature and thermostat symbols will appear.
2. Press and hold the thermostat button on the lower right hand side of the hand held remote for 5 seconds. (Fig. #57) The temperature icon on the display will flash. (Fig. #58)
3. While the temperature icon is flashing use the up and down arrows to set the temperature to the desired setting.
4. Once the desired setting is reached, press the OK button. If the OK button is not pressed the icon will continue to flash for 5 seconds and then set itself to the temperature displayed.
5. The fireplace is now in thermostatic mode. To exit the thermostatic mode press the program, manual or timer buttons. Please note that the first press of the manual button will turn the fireplace off.

Fig. #57

THERMOSTATIC BUTTON



Fig. #56

THERMOSTAT SYMBOL



Fig. #58

TEMPERATURE SETTING



Maintenance

CAUTION:

Turn off gas and electrical power supply (if applicable) and allow ample time for unit to cool before servicing appliance. It is recommended that the fireplace and its venting should be inspected at least once a year by a qualified service person.

Glass Panel:

Warning: Do not operate fireplace with glass panel removed, cracked or broken. Replacement of the glass panel should be done by a licensed or qualified service person.

Do not strike or otherwise impact the glass in anyway that may cause it to break. If the glass becomes cracked or broken it must be replaced before using the fireplace. Replacement glass can be obtained from your nearest Town & Country Fireplaces™ dealer. The size required is 52" x 16" x 5mm. Use ceramic glass only. **Do not substitute with any other type.**

To remove broken glass, remove window frame as noted in "Window Frame Removal" section.

Unclip the Glass Retainer Clips located at the top and sides of the Window Frame. Pull the top edge of the glass out of the frame first, then lift it up and out of the bottom edge.

Install the new piece of glass with the gasket into the frame so that the thicker bead of gasket faces the fireplace.

Re-install glass retaining clips.

Annual Inspection:

- a) Remove glass panel and pebble assemblies. Inspect pebble and burner assemblies for soot buildup. If excessive buildup of soot is present, have a qualified service person inspect and adjust unit for proper combustion. Clean logs and burner with a brush or vacuum cleaner, paying close attention to burner ports.
- b) Check the pilot system for proper flame size and operation. Clean pilot free of soot, dust or any other deposits. (See Fig. #59)
- c) Check that the vent pipe and vent terminal are open and free from blockage or debris. If the venting is disassembled for cleaning, it must be properly assembled and re-sealed. Refer to VENTING section for proper procedure.
- d) Check glass panel gasket, replace if necessary. It is important that the glass seal be maintained in good condition.
- e) Check and replace batteries as needed.

Note: The appliance area must be kept clear and free from combustible materials, gasoline and other flammable vapours and liquids.

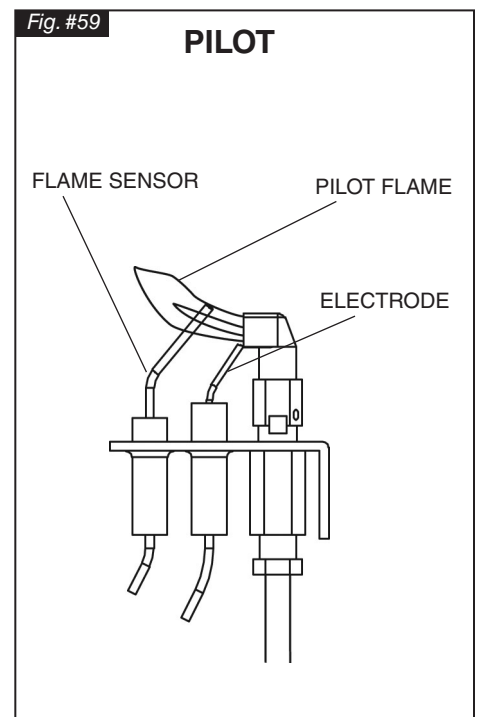
Periodically:

- a) Viewing glass may be cleaned as necessary with fireplace glass cleaner.
- b) Exterior finish may be cleaned with mild soap and water.

CAUTION:

Do not use abrasive cleaners on glass or any other part of the fireplace.

Do not clean glass when hot.

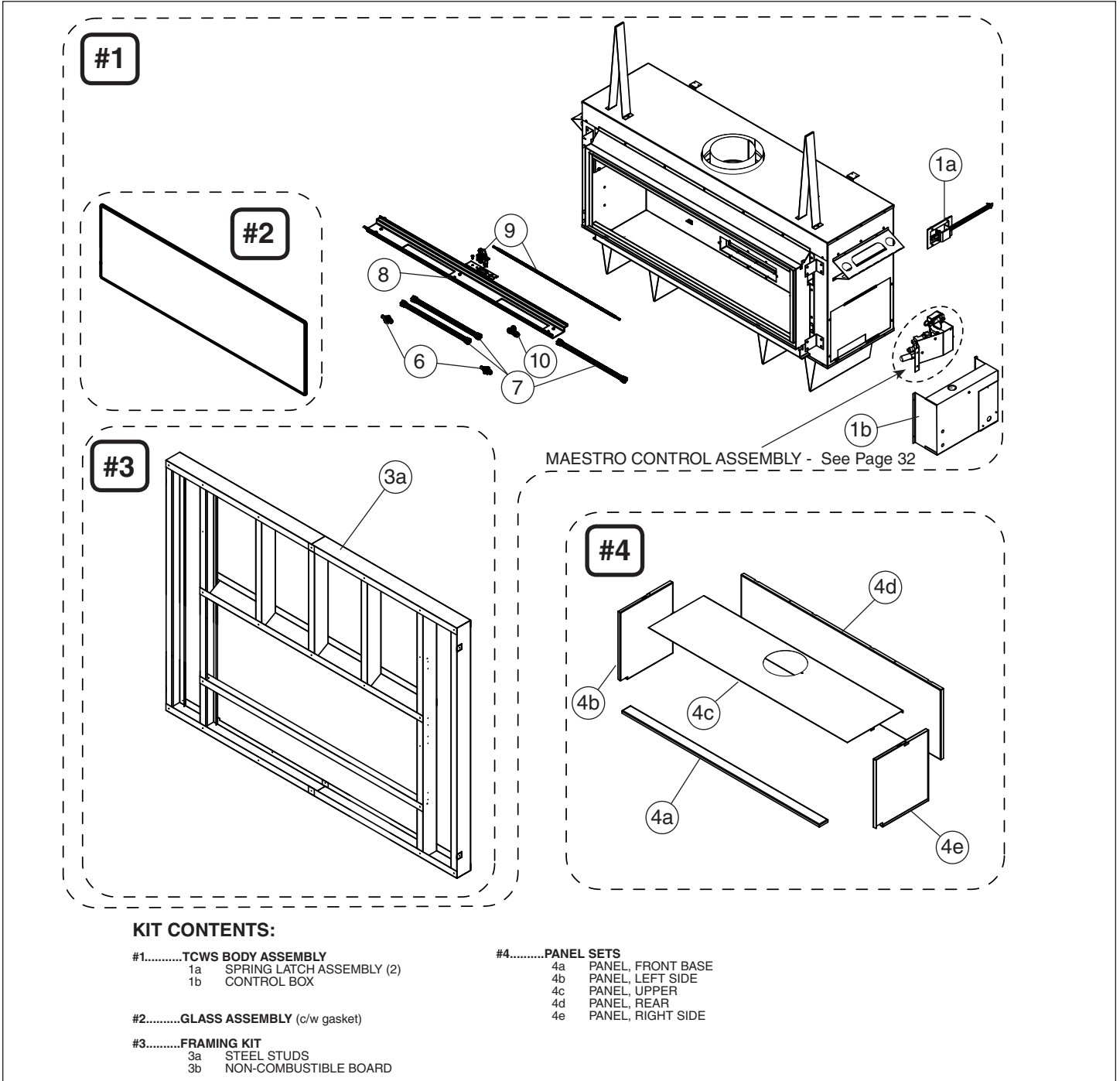


TCWS.54CE3 Replacement Parts

(WHEN ORDERING, INCLUDE PART NUMBER WITH DESCRIPTION)

ITEM	DESCRIPTION	PART NO.	ITEM	DESCRIPTION	PART NO.
#1	TCWS BODY ASSEMBLY	TCWS.54CE3	*#5	FINISHING TOUCH TRIM KIT.....	TCRP.54WSTRIMKIT
#2	GLASS ASSEMBLY (c/w gasket)	GLAS.2062ASSY	#6	ORIFICE (2pcs)	5022.87
#3	FRAMING KIT	TCWS.54FRKIT	#7	MAIN GAS SUPPLY TUBES (3pcs)	5019.223
#4	PANEL SETS		#8	BURNER SUPPORT	9498
	BLACK PORCELAIN	TCPN.775.C	#9	PILOT ASSEMBLY	TCRP.5005025G
	BROWN PORCELAIN	TCPN.775CB.C	#10	1/2" TEE	5019.013

*NOT SHOWN



KIT CONTENTS:

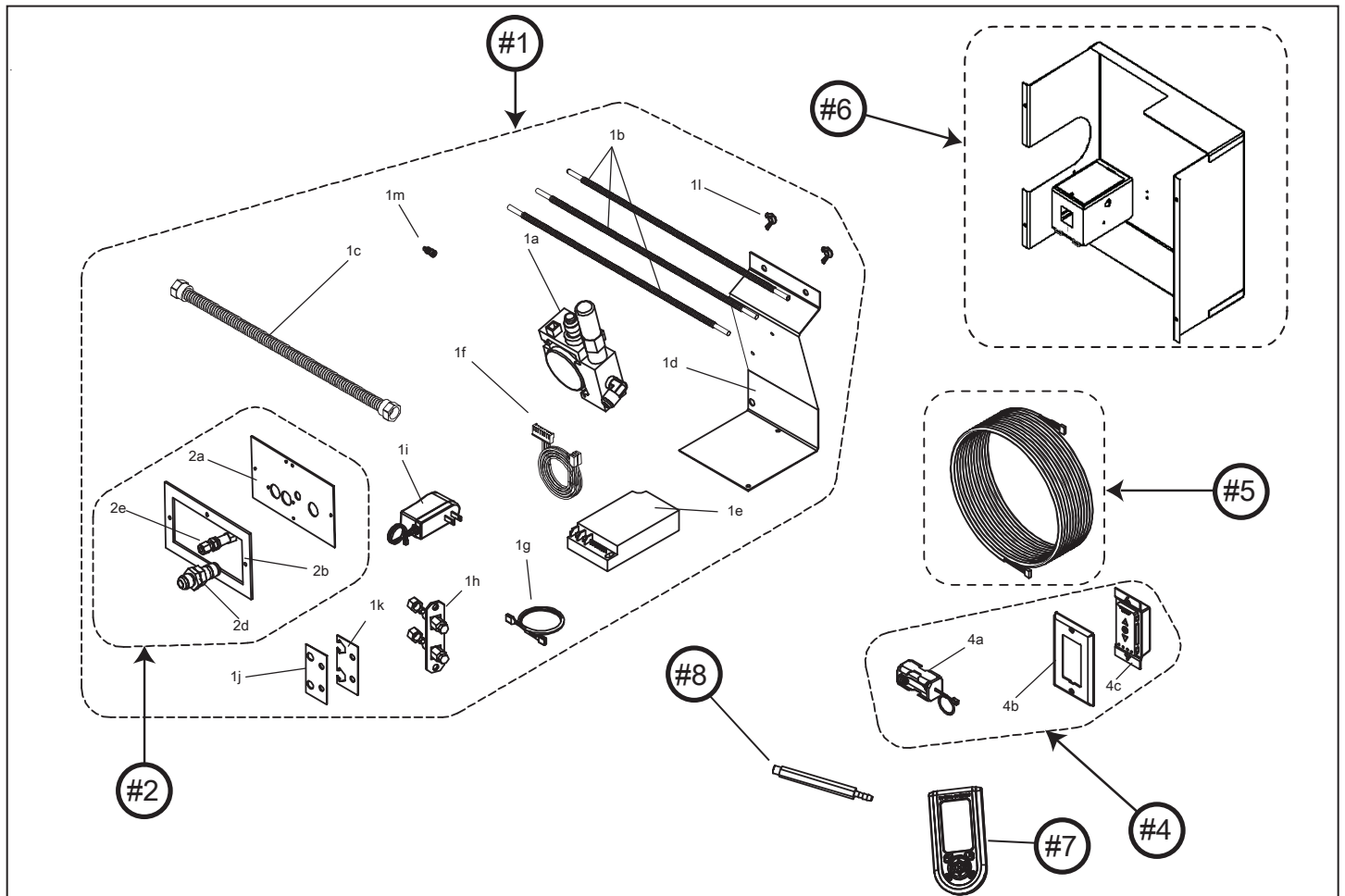
- #1.....TCWS BODY ASSEMBLY
 - 1a SPRING LATCH ASSEMBLY (2)
 - 1b CONTROL BOX
- #2.....GLASS ASSEMBLY (c/w gasket)
- #3.....FRAMING KIT
 - 3a STEEL STUDS
 - 3b NON-COMBUSTIBLE BOARD

- #4.....PANEL SETS
 - 4a PANEL, FRONT BASE
 - 4b PANEL, LEFT SIDE
 - 4c PANEL, UPPER
 - 4d PANEL, REAR
 - 4e PANEL, RIGHT SIDE

Replacement Parts – Maestro Control System

(WHEN ORDERING, INCLUDE PART NUMBER WITH DESCRIPTION)

ITEM.....DESCRIPTION.....PART NO.	ITEM.....DESCRIPTION.....PART NO.
#1.....CONTROL ASSEMBLY KITTCRP.9271A	#5.....COMMUNICATION CABLE KIT5005.06
#2.....BULKHEAD ASSEMBLY KITTCRP.9284	#6.....CONTROL BOX KITTCRP.8270
#4.....WALL SWITCH ASSEMBLY KIT.....TCRP.5005043	#7.....REMOTE HAND SET.....5005.05
	#8.....TEST FITTING5019.104



KIT CONTENTS:

#1.... CONTROL ASSEMBLY KIT

- 1a VALVE c/w FITTINGS
- 1b 1/4" FLEX TUBE
- 1c 1/2" FLEX TUBE
- 1d CONTROL MOUNTING BRACKET
- 1e IGNITION MODULE
- 1f WIRING HARNESS
- 1g IGNITION/ SENSOR WIRES
- 1h PRESSURE TEST ASSEMBLY
- 1i AC ADAPTOR
- 1j PLATE (A)
- 1k PLATE (B)
- 1l WING NUTS (2)
- 1m MINIMUM RATE SCREW, NG

#2.... BULKHEAD ASSEMBLY KIT

- 2a INLET PLATE
- 2b INLET PLATE GASKET
- 2d 1/2" BULKHEAD FITTING
- 2e 1/4" BULKHEAD FITTING

#3.... UTILITY BOX ASSEMBLY KIT

- 3a UTILITY BOX
- 3b ELECTRICAL RECEPTACLE
- 3c COVER PLATE

#4.... WALL SWITCH ASSEMBLY KIT

- 4a BATTERY HOLDER
- 4b WALL SWITCH COVER PLATE
- 4c WALL SWITCH

#5.... COMMUNICATION CABLE KIT

#6.... CONTROL BOX KIT

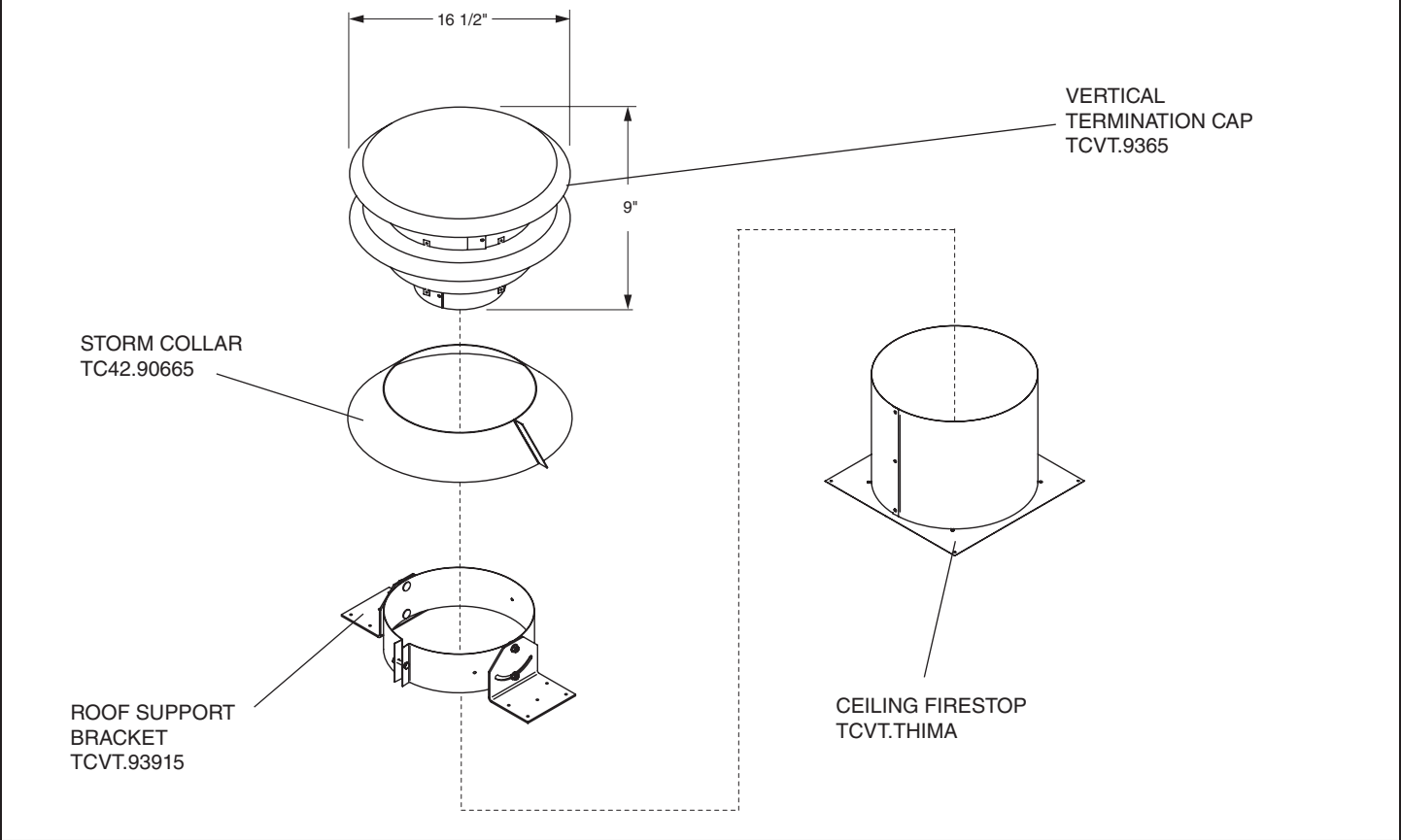
#7.... REMOTE HAND SET

#8.... TEST FITTING

Roof Termination Kit

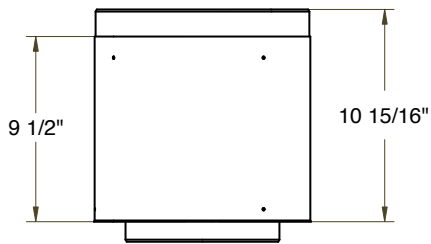
TCVT.RTA

Fig. #61

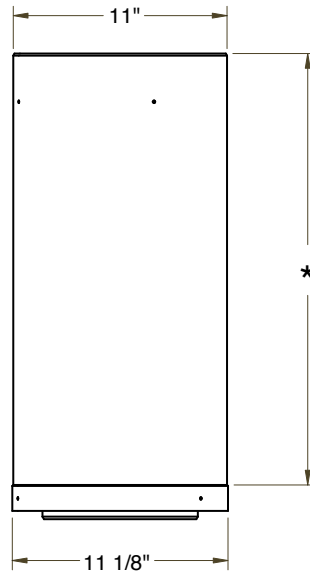


Vent Pipe Dimensions

Fig. #62

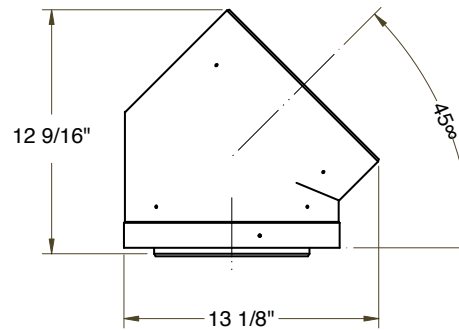


TCVT.811X12ADJ



TCVT.811X __

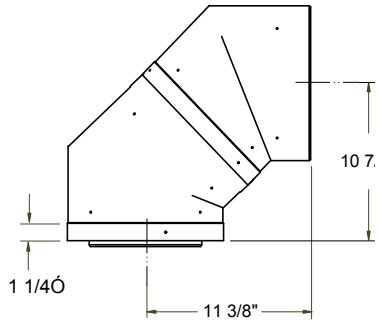
12" PIPE	10 1/4"
18" PIPE	16 1/4"
24" PIPE	22 1/4"
48" PIPE	46 1/4"



TCVT.811XLB45

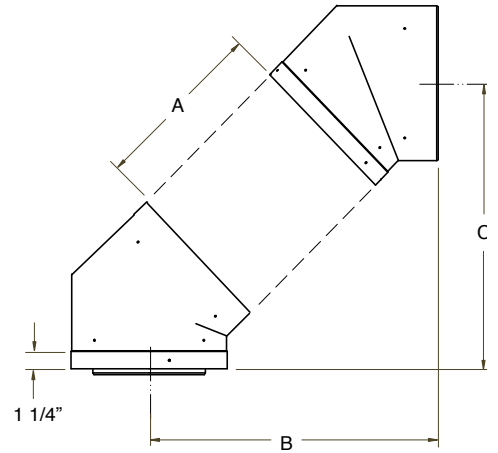
Vent Offset Chart

Fig. #63



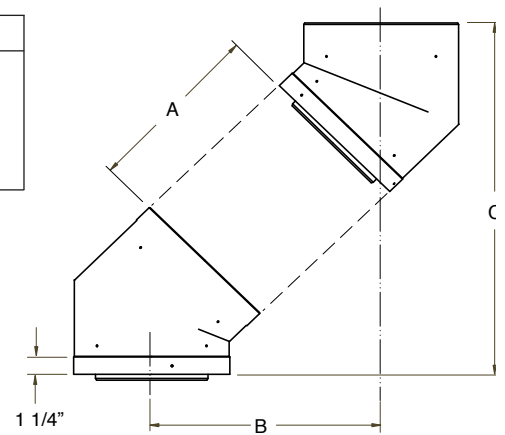
A	B	C
12" PIPE	18 5/8"	18"
18" PIPE	22 7/8"	22 3/8"
24" PIPE	27 1/8"	26 1/2"
48" PIPE	44 1/16"	43 1/2"

ADDING AN ADJUSTABLE SECTION TO PIPE WILL INCREASE OFFSET BY 2 1/8" TO 6 3/4"



A	B	C
12" PIPE	13 7/16"	23 1/4"
18" PIPE	17 9/16"	27 5/8"
24" PIPE	21 7/8"	31 3/4"
48" PIPE	38 3/4"	44 7/8"

ADDING AN ADJUSTABLE SECTION TO PIPE WILL INCREASE OFFSET BY 2 1/8" TO 6 3/4"



Quick Panel Removal for Valve Service

1. Remove front panel base. Also remove rear panel base if Black Diamond Burner is fitted.(Fig. #64)

2. Push up on the heat shield, at the right end of the unit near the middle, enough to clear the securing tab. (Fig. #65)

3. Pull the top of the right panel toward the center of the unit using caution not to scratch the back panel. (Fig. #66)

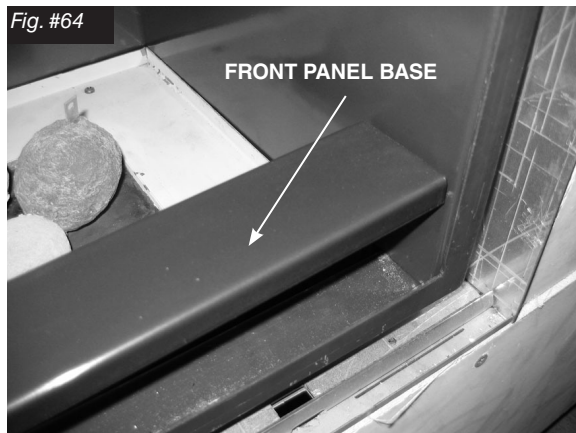
4. Once the right panel is tilted inwards it can be lifted clear of the burner tray and removed.

NOTE: The right hand side rock cluster may need to be removed to prevent damage while working through the access hole. Covering the sand with paper or cardboard will also minimize disturbance during the servicing process.

5. The access panel is now visible (Fig. #67) and can be removed as described on Pg. 13.

6. Reassemble in reverse order.

WARNING: The control box shield, access panel and gasket must be replaced. Failure to do so will overheat and cause premature failure of the control.





Safety Label Location

NOTE: The Safety Label is located on a plate found in a slot between the left hand side lintel and the left hand side window frame. This plate is attached to the side casing with a cable.



Intertek
WN#16399



Intertek
ETL#4001507

VENTED GAS FIREPLACE - NOT FOR USE WITH SOLID FUEL
FOYER AU GAZ À ÉVACUATION - NE PAS UTILISER AVEC
DU COMBUSTIBLE SOLIDE

WH-

ANSI Z21.50b-2009 / CSA 2.22b-2009 Vented Gas Fireplaces
 CAN/CGA 2.17-M91 Gas-Fired Appliance For Use At High Altitudes.
 Certified for / Certifié pour Canada and U.S.A.

This Appliance is Equipped For Use With /
 Cet Appareil est Équipé Pour Utiliser Avec :

<p>NATURAL GAS GAZ NATUREL</p>		<p>LP-GAS LP GAZ</p>	
---	---	---------------------------------	---

FOR USE WITH/ EN CASE D'EMPLOI AVEC:	NATURAL GAS/ DU GAZ NATUREL	LP GAS/ DU GAZ LP
Minimum supply pressure / Pression minimum d'alimentation: (For the purpose of input adjustment / dans le but de régler l'alimentation) Maximum supply pressure / Pression maximum d'alimentation:	5.0 in/wc / 5.0 po/c.e. (1.25 kPa) 13.9 in/wc / 13.9 po/c.e. (3.45 kPa)	12.5 in/wc / 12.5 po/c.e. (3.11 kPa) 13.9 in/wc / 13.9 po/c.e. (3.45 kPa)
Manifold pressure / Pression de la tuyauterie: Maximum	3.8 in/wc / 3.8 po/c.e. (.95 kPa)	11.0 in/wc / 11.0 po/c.e. (2.74 kPa)
Orifice Size / Diametre de l'injecteur:	7/64 (2.78 mm)	1.65 mm
Input BTU/hr (kW) / Entree BTU/h (kW):	Max.: 54,900 (16.1) Min.: 46,200 (13.5)	Max.: 54,900 (16.1) Min.: 46,200 (13.5)

TOWN & COUNTRY
FIREPLACES™

**MODEL/
 MODELE: TCWS54**

**SERIES/
 SERIE: C2**

**MADE IN CANADA
 FABRIQUE AU CANADA**

Optional components: Power Vent / Éléments facultatifs: Par Soufflerie (TCVT.WSPVB1,TCVT.PVB2/TCVT.FMPV,TCVT.FMPV3,TCVT.PVC1,TCVT.PVC2,TCVT.PVC3); Blower electrical rating: 115v, 60hz, 1.1 A / Normes electriques du ventilateur: 115v, 60hz, 1.1 A
 This appliance equipped for altitudes 0 - 4500 ft. (0 - 1372 m) / Cet unité est conçu pour des altitudes variant entre 0 - 4500 pieds (0 - 1372 m). In Canada, also certified for installation in a bedroom or a bed sitting room / Aussi certifié pour installation dans une chambre à coucher ou une salle de séjour. This appliance must be installed in accordance with local codes, if any; if none, follow the current CAN/CGA-B149 (Canada), or ANSI Z223.1 (USA) Installation Codes. Installer l'appareil selon les codes ou règlements locaux, ou, en l'absence de tels règlements, selon les codes d'installation CAN/CGA-B149 (Canada), or ANSI Z223.1 (USA) en vigueur.

MANUFACTURED (MOBILE) HOME: This appliance is only for use with the type of gas indicated on the rating plate and may be installed in an aftermarket, permanently located, manufactured (mobile) home where not prohibited by local codes. See owners manual for details.
FABRIQUEZ (MOBILE) MAISON: Cet appareil doit être utilisé uniquement avec le type de gaz indiqué sur la plaque signalétique et peut être installé dans une maison préfabriquée (mobile) installée à demeure si les règlements locaux le permettent. Voir la notice du propriétaire pour plus de détails. Cet appareil ne peut être converti à d'autres gaz sauf si une trousse de conversion certifiée est utilisée.
 Install in accordance with the current standard Mobile Homes,CAN/CSA Z240 MH (in CANADA), and the Manufacturer's Home Construction and Safety Standard, Title 24 CFR, Part 3280, or the current Standard for Fire Safety Criteria for Manufactured Home Installations, Sites, and Communities ANSI/NFPA 501A, (in the U.S.A.). Cet appareil doit être installé conformément aux exigences de la norme CAN/CSA Z240 MH en vigueur de l'ACNOR, Installations de gaz dans les Constructions Mobiles.

FOR USE WITH GLASS DOORS CERTIFIED WITH THE APPLIANCE ONLY / POUR UTILISATION UNIQUEMENT AVEC LES PORTES IN VERRE CERTIFIÉES AVEC L'APPAREIL

MINIMUM CLEARANCES TO COMBUSTIBLES / CLAIRANCES MINIMALES AVEC LES COMBUSTIBLE															
Left and Right side are determined when facing the front of the appliance. / Les côtés droit et gauche se déterminent en se mettant devant l'appareil et en lui faisant face.															
Top, Back and Side Standoffs / Sommet, Arrière et Côté Butée Sidewall to Appliance / Du mur latéral a l'appareil Mantel to Appliance / Du manteau al'appareil Maximum Mantel Extension / Allongement maximum du manteau *See Installation Manual for more detail / Voyez des Directive de l'Installation pour plus détails. Mantel Supports / Supports du manteau Vent Pipe / Déchargez le Tuyau	<table style="width: 100%; border-collapse: collapse;"> <tr> <td style="width: 50%;">0 in./ 0 po.</td> <td style="width: 50%;">(0 mm)</td> </tr> <tr> <td>4 in./ 4 po.</td> <td>(102 mm)</td> </tr> <tr> <td>*9 in./ 9 po.</td> <td>(229 mm)</td> </tr> <tr> <td>*12 in./ 12 po.</td> <td>(305 mm)</td> </tr> <tr> <td colspan="2"> </td> </tr> <tr> <td>2 in./ 2 po.</td> <td>(51 mm)</td> </tr> <tr> <td>1.75 in./ 1.75 po.</td> <td>(45 mm)</td> </tr> </table>	0 in./ 0 po.	(0 mm)	4 in./ 4 po.	(102 mm)	*9 in./ 9 po.	(229 mm)	*12 in./ 12 po.	(305 mm)			2 in./ 2 po.	(51 mm)	1.75 in./ 1.75 po.	(45 mm)
0 in./ 0 po.	(0 mm)														
4 in./ 4 po.	(102 mm)														
*9 in./ 9 po.	(229 mm)														
*12 in./ 12 po.	(305 mm)														
2 in./ 2 po.	(51 mm)														
1.75 in./ 1.75 po.	(45 mm)														

WARNING: Improper installation, adjustment, alteration, service or maintenance can cause injury or property damage. Refer to the owner's information manual provided with this appliance. For assistance or additional information, consult a qualified installer, service agency or the gas supplier.
AVERTISSEMENT: Une installation, un réglage, une modification, une réparation ou un entretien mal effectué peut causer des dommages matériels ou des blessures. Voir la notice de l'utilisateur qui accompagne l'appareil. Pour de l'aide ou des renseignements supplémentaires, consultez un installateur, un technicien agréé ou le fournisseur de gaz.

291012

5050.720378.CE3

Accepted for Use
 City of New York
 Department of Buildings
 MEA 116-08-E
 Pacific Energy
 Fireplace Products Ltd.

1-TCWS.54CE3



TOWN & COUNTRY
L U X U R Y F I R E P L A C E S

Technical support: 1-250-748-1184
Web site: www.townandcountryfireplaces.net
2975 Allenby Rd., Duncan, BC V9L 6V8