

**INSTALLER:** Leave this manual with the appliance.  
**CONSUMER:** Retain this manual for future reference.

**WARNING:** If the information in these instructions is not followed exactly, a fire or explosion may result causing property damage, personal injury or death.

### FOR YOUR SAFETY

Installation and service must be performed by a qualified installer, service agency or the gas supplier.

### WHAT TO DO IF YOU SMELL GAS

- Do not try to light any appliance.
- Do not touch any electrical switch.
- Do not use any phone in your building.
- Immediately call your gas supplier from a neighbour's phone. Follow the gas supplier's instructions.
- If you cannot reach your gas supplier call the fire department.

Do not store or use gasoline or other flammable vapours and liquids in the vicinity of this or any other appliance.

This appliance may be installed in an aftermarket permanently located, manufactured home (USA only) or mobile home, where not prohibited by local codes.

This appliance is only for use with the type of gas indicated on the rating plate. This appliance is not convertible for use with other gases, unless a certified kit is used.

This appliance is suitable for installation in a bedroom or bed sitting room.



TOWN & COUNTRY  
L U X U R Y F I R E P L A C E S

SERIAL #

# TCWS.54CSTE INSTALLATION AND OPERATING INSTRUCTIONS



MODEL  
TCWS54CSTE  
SERIES C  
POWER VENTED  
SEE THRU FIREPLACE

# Table of Contents

Table of Contents.....	2
Table of Contents.....	3
Certifications.....	3
Caution .....	4
Safety .....	4
Important Note for the Commonwealth of Massachusetts:.....	5
Fireplace Dimensions .....	6
Minimum Clearances to Combustible Material .....	6
Installation Requirements .....	7
Manufactured (Mobile) Home .....	7
Window Frame Removal.....	7
Standoffs.....	8
Locating The Fireplace .....	8
Framing and Finishing .....	9
Steel Stud Framing Kit.....	11
Adjustable Lintel .....	14
Maestro Control .....	15
Plumbing and Electrical.....	15
Gas Supply .....	18
Gas Pressure Check.....	18
Venting.....	19
TCVT.PVOC Power Vent Installation.....	20
Contents of Power Vent Kit .....	20
Venting Length.....	21
Minimum Vent Length Chart .....	22
Vent Terminal Minimum Clearances .....	22
Horizontal (Side Wall) Venting .....	23
Control System Connection .....	26
Fan Wiring .....	27
Terminal Dimensions .....	28
Venting Components .....	29
Wiring Diagram.....	30
TCVT.PVOB2 Power Vent Installation.....	31
Contents of Power Vent Kit .....	31
Venting Configurations.....	31
Vertical(Through Roof) Installation .....	32
Vertical (Through Roof) Venting.....	33
Vent Pipe Sealant .....	34
Optional Tranquility Burner .....	35
Propane Conversion .....	41
Optional Black Diamond Burner .....	44
Gas Pressure Check.....	48
Burner Flame Adjustment.....	49
Firebox Panels Installation.....	50
Finishing Touch Trim Kit Instructions.....	51

---

## Table of Contents

Lighting Instructions .....	52
First Fire.....	52
Maestro Control System Remote Control Initial Setup.....	53
Maestro Control System - Operation .....	54
Maintenance .....	57
Replacement Parts - TCWS.54CSTE .....	58
Replacement Parts - Tranquility Burner .....	59
Replacement Parts - Twilight Diamond Burner .....	60
Replacement Parts - TCVT.PVC .....	61
Replacement Parts - TCVT.PVCV .....	62
Replacement Parts – Maestro Control System.....	63
Light Wiring Diagrams .....	64
Safety Label Location .....	65

## Certifications

This appliance is tested to:

**ANSI Z21.50b-2009 / CSA 2.22b-2009 Vented Gas Fireplaces.**

**CAN/CGA 2.17-M91 Gas-Fired Appliance For Use At High Altitudes.**

**CSA P.4.1 Annual Fireplace Efficiency 30.8%**

**Maximum Setting input 63,881 Btu/Hr, output 19,675 Btu/Hr**

**Minimum Setting input 39,418 Btu/Hr, output 12,141 Btu/Hr**

This unit is manufactured and tested by:

**Pacific Energy Fireplace Products**

**2975 Allenby Rd.**

**Duncan, BC, Canada**

**V9L 6V8**

## Caution

**FOR YOUR SAFETY** - Do not install or operate your Town & Country fireplace without first reading and understanding this manual. Any installation or operational deviation from the following instructions voids the Town & Country Fireplaces™ Warranty and may prove hazardous.

This appliance and its individual shut off valve must be disconnected from gas supply piping system during any pressure testing of that system at test pressures in excess of 1/2 psig (3.5 kPa).

This appliance must be isolated from the gas supply piping system by closing its individual manual shut off valve during any pressure testing of the gas supply piping system at test pressures equal to or less than 1/2 psig (3.5 kPa).

Note: When lit for the first time, the appliance will emit a slight odour for a couple of hours. This is due to the curing of paints, sealants and lubricants used in the manufacturing process. This condition is temporary. Open doors and windows to ventilate area. Smoke and fumes caused by the curing process may cause discomfort to some individuals.

Do not use the fireplace if any part has been under water. Immediately call a qualified service technician to inspect the fireplace and to replace any part of the control system and any gas control which has been under water.

## Safety

Due to high temperatures, this gas appliance should be located out of traffic and away from furniture and draperies.

Children and adults should be alerted to the hazards of high surface temperatures and should stay away to avoid burns or clothing ignition.

Young children should be carefully supervised when they are in the same room as the appliance.

Clothing or other flammable material should not be placed on or near the appliance.

Any grill, panel or door removed for servicing the unit must be replaced prior to operating. Failure to do so may create a hazardous condition.

Installation and repair should be done by a qualified service person. The appliance should be inspected before use and at least annually by a professional service person. More frequent cleaning may be required due to excessive lint from carpeting, bedding material, etc. It is imperative that control compartments, burners and circulating air passageways of the appliance be kept clean.

It is our policy that no responsibility is assumed by the Company or by any of its employees or representatives for any damages caused by an inoperable, inadequate, or unsafe condition which is the result, either directly or indirectly, of any improper operation or installation procedures.

This appliance must not be connected to a chimney flue serving a separate solid fuel burning appliance.



We recommend that our gas hearth products be installed and serviced by professionals who are certified in the United States by the National Fireplace Institute® (NFI) as NFI Gas Specialists

### WARNING



**HOT GLASS WILL CAUSE BURNS.**  
**DO NOT TOUCH GLASS UNTIL COOLED.**  
**NEVER ALLOW CHILDREN TO TOUCH GLASS.**

---

# Important Note for the Commonwealth of Massachusetts:

From Massachusetts Rules and Regulations 248 CMR 5.08:

(a) For all side wall horizontally vented gas fuelled equipment installed in every dwelling, building or structure used in whole or in part for residential purposes, including those owned or operated by the Commonwealth and where the side wall exhaust vent termination is less than seven (7) feet above finished grade in the area of the venting, including but not limited to decks and porches, the following requirements shall be satisfied.

1. **INSTALLATION OF CARBON MONOXIDE DETECTORS.** At the time of installation of the side wall horizontal vented gas fuelled equipment, the installing plumber or gas fitter shall observe that a hard wired carbon monoxide detector with an alarm and battery back-up is installed on the floor level where the gas equipment is to be installed, in addition, the installing plumber or gas fitter shall observe that a battery operated or hard-wired carbon monoxide detector with an alarm is installed on each additional level of the dwelling, building or structure served by the side wall horizontal vented gas fuelled equipment. It shall be the responsibility of the property owner to secure the services of qualified licensed professionals for the installation of hard-wired carbon monoxide detectors.

a. In the event that the side wall horizontally vented gas fuelled equipment is installed in a crawl space or an attic, the hard-wired carbon monoxide detector with alarm and battery back-up may be installed on the next adjacent floor level.

b. In the event that the requirements of this subdivision cannot be met at the time of completion of installation, the owner shall have a period of thirty (30) days to comply with the above requirements; provided, however, that during said thirty (30) day period, a battery operated carbon monoxide detector with an alarm shall be installed.

2. **APPROVED CARBON MONOXIDE DETECTORS.** Each carbon monoxide detector as required in accordance with the above provisions shall comply with NFPA 720 and be ANSI/UL 2034 listed as IAS certified.

3. **SIGNAGE.** A metal or plastic identification plate shall be permanently mounted to the exterior of the building at a minimum height of eight (8) feet above grade directly in line with the exhaust vent terminal for the horizontally vented gas fuelled heating appliance or equipment. The sign shall read, in print size no less than one-half (1/2) inch in size, "GAS VENT DIRECTLY BELOW. KEEP CLEAR OF ALL OBSTRUCTIONS".

4. **INSPECTION.** The state or local gas inspector of the side wall horizontally vented gas fuelled equipment shall not approve the installation unless, upon inspection, the inspector observes carbon monoxide detectors and signage installed in accordance with the provisions of 248 CMR 5.089(2)(a) 1 through 4.

(b) **EXEMPTIONS.** The following equipment is exempt from 248 CMR 5.089(2)(a) 1 through 4.

1. The equipment listed in Chapter 10 entitled "Equipment Not Required To Be Vented" in the most current edition of NFPA 54 as adopted by the Board; and

2. Product Approved side wall horizontal vented gas fuelled equipment installed in a room or structure separate from the dwelling, building or structure used in whole or in part for residential purposes.

(c) **MANUFACTURER REQUIREMENTS – GAS EQUIPMENT VENTING SYSTEM PROVIDED.** When the manufacturer of Product Approved side wall horizontally vented gas equipment provides a venting system design or venting system components with the equipment, the instructions provided by the manufacturer for installation of the equipment and the venting system shall include:

1. Detailed instructions for the installation of the venting system design or the venting system components; and

2. A complete parts list for the venting system design or venting system.

(d) **MANUFACTURER REQUIREMENTS – GAS EQUIPMENT VENTING SYSTEM NOT PROVIDED.** When the manufacturer of a Product Approved side wall horizontally vented gas fuelled equipment does not provide the parts for venting the fuel gases, but identifies "special venting systems", the following requirements shall be satisfied by the manufacturer.

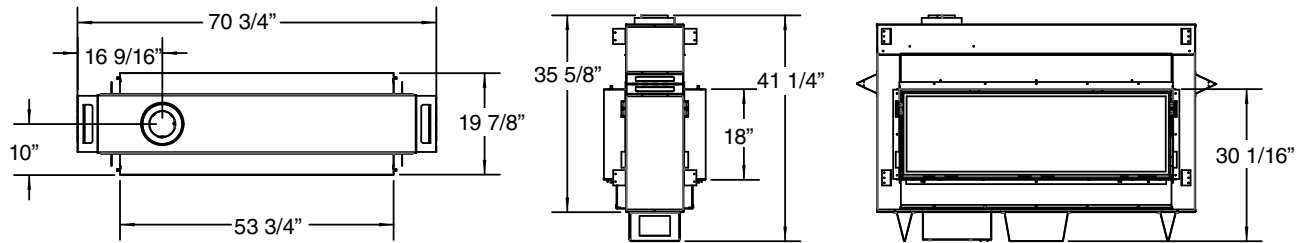
1. The referenced "special venting system" instructions shall be included with the appliance or equipment installation instructions; and

2. The "special venting systems" shall be Product Approved by the Board, and the instructions for that system shall include a parts list and detailed installation instructions.

(e) A copy of all installation instructions for all Product Approved side wall horizontally vented gas fuelled equipment, all venting instructions, all parts lists for venting instructions, and/or all venting design instructions shall remain with the appliance or equipment at the completion of the installation.

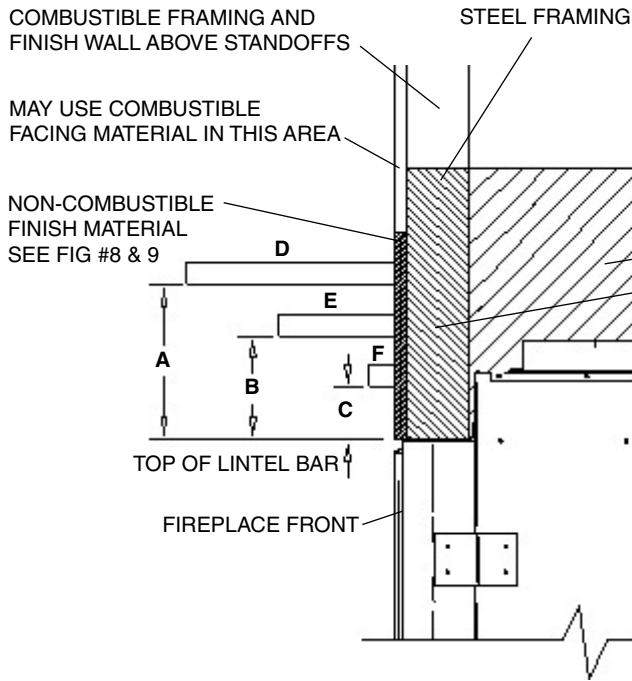
# Fireplace Dimensions

Fig. #1



## Minimum Clearances to Combustible Material

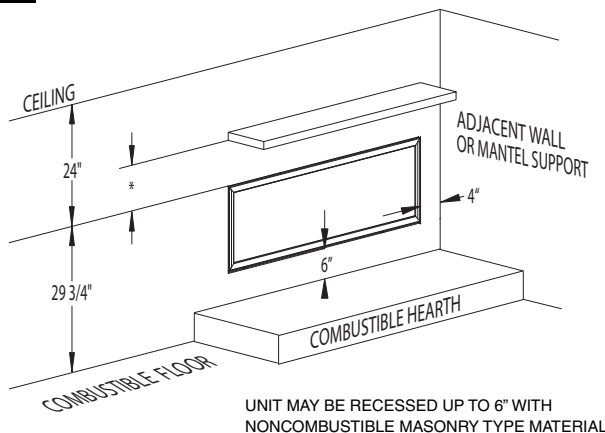
Fig. #2



### MANTEL CLEARANCE CHART

* MANTEL CLEARANCE	
A	9"
B	6"
C	3"
** MANTEL DEPTH	
D	12"
E	6 3/4"
F	1 1/2"

Fig. #3



#### Minimum Clearances:

Side standoffs	0 in.	(0 mm)
Back standoffs	0 in.	(0 mm)
Top standoffs	0 in.	(0 mm)
Bottom of appliance	0 in.	(0 mm)
Adjacent side wall	4 in.	(102 mm)
Ceiling to appliance	24 in.	(610 mm)
*Mantel to appliance	See Figure #2	
**Maximum Mantel extension	See Figure #2	
Mantel support	4 in.	(102 mm)
Vent pipe	1 3/4 in.	(45 mm)

# Installation Requirements

The Town & Country Fireplace installation and venting must conform to the local codes or, in the absence of local codes, current CSA B149.1 installation code (in Canada) or the current National Fuel Gas Code, ANSI Z223.1/NFPA 54 (in the USA). Only qualified (licensed or trained) personnel should install this product.

In the state of Massachusetts, only a licensed Plumber and Gas Fitter may install this product.

## Manufactured (Mobile) Home

In some jurisdictions, the Town & Country Fireplace may be installed in Manufactured Homes after the "first sale". **Consult local codes for approval.** The fireplace must be fastened in place.

Install in accordance with the current standard Mobile Homes, CAN/CSA Z240 MH (in CANADA), and the Manufacturer's Home Construction and Safety Standard, Title 24 CFR, Part 3280 or the current Standard for Fire Safety Criteria for Manufactured Home Installations, Sites and Communities ANSI/NFPA 501A (in the USA).

## Window Frame Removal

**Warning:** Turn off the fireplace, and allow ample time for the unit to cool before proceeding.

**Caution:** The ceramic glass is very fragile, and should be handled with care.

The window frame is held in place by two spring-loaded latches that are operated by a one-piece latch handle.

1. Remove the TC Finishing Touch Trim Kit from the window frame. (If installed)
2. Using a screwdriver or other similar object, push against the notch in the top of the latch and grab the bottom of the latch handle as it protrudes. Lift handle until latch hook disengages. Repeat for other side while holding glass so it does not tip out. Fig #4, 5 & 5a.
3. Tilt the top of the window frame out to clear the top edge of the unit. Grasp the sides of the frame and lift up and out to disengage from its bottom track.
4. Place the window frame in a safe place to avoid damage.
5. Re-assemble in reverse order. Latch handle should snap into place and be flush with window frame when engaged correctly.

### TIP:

**To ensure glass is properly latched, grasp the top left and right sides of the glass frame, under moderate pressure it should pull forward and return to original position evenly on both sides.**

6. Reinstall Trim Kit if required.

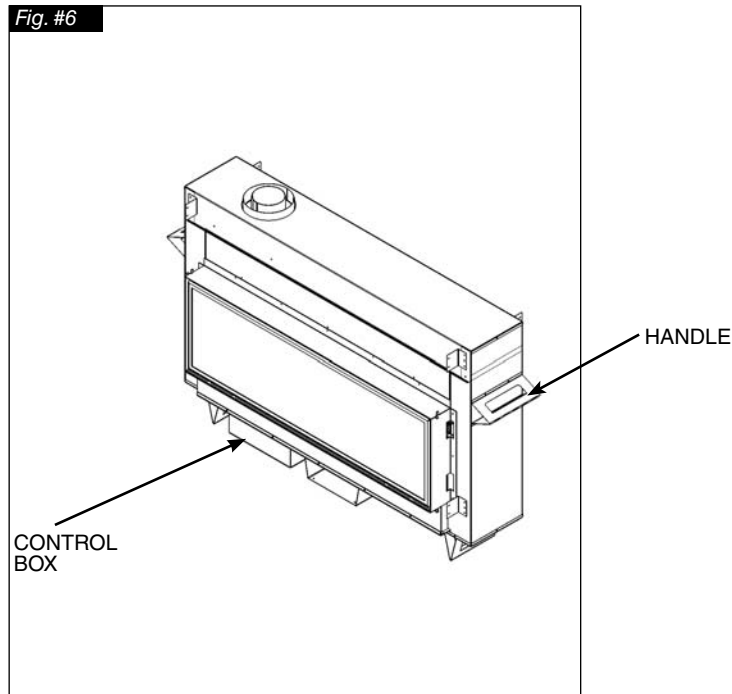


LATCH HANDLE



# Standoffs

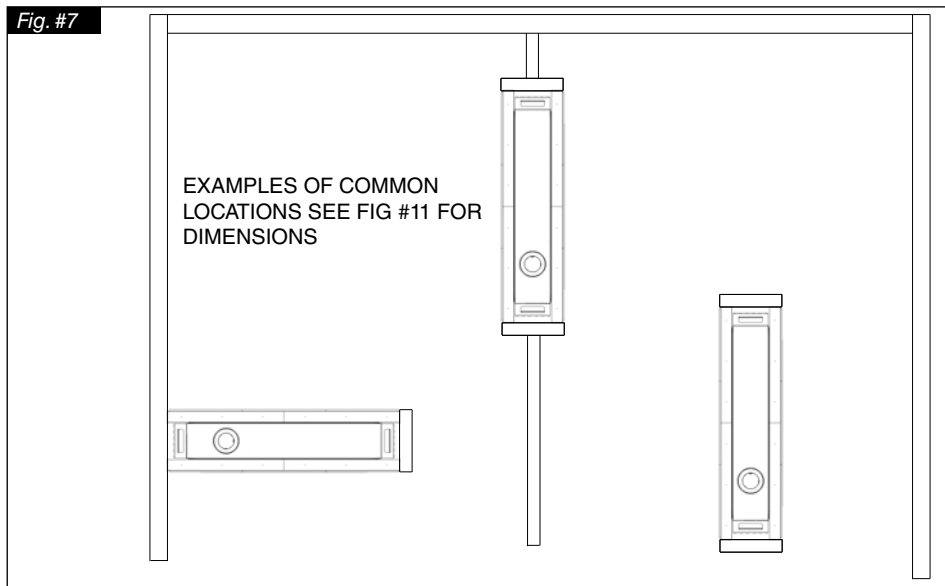
The framing kits, once assembled and attached, are used as the top and side standoffs (see page 10 & 11.)



# Locating The Fireplace

In planning the installation for the fireplace, it is necessary to determine where the unit is to be installed, location of vent system and where gas supply piping may be plumbed. Various types of installations are possible, such as, a peninsula wall, an island, and between two interior walls (Fig. #7). Due to high temperatures, do not locate this fireplace in areas of high traffic or near furniture or draperies.

**The minimum clearances from the fireplace to combustible surfaces must be adhered to and are shown in Fig. #2 and Fig. #3.**





# Framing and Finishing

**Note: The fireplace should be in place and venting installed before framing in or building an enclosure around the unit.**

When the appliance is installed directly on carpeting, tile or other combustible material, other than wood flooring, the appliance shall be installed on a metal or wood panel extending the full width and depth of the appliance.

The Town & Country fireplace must be framed in as described below or totally enclosed with non-combustible material, such as facing brick.

Determine the total thickness of facing material to be used. A thickness of 3/4" will allow the finishing surface to be flush with the front of the unit. If preferred, additional masonry type non-combustible material can be installed above and to the sides up to 6 inches forward of the appliance.

**\*The finishing material must not interfere with glass frame access.\***

A Steel Stud Framing Kit is supplied with the fireplace and must be used unless the fireplace is totally enclosed with

non-combustible material. Assemble the framing kit as per the instructions on pages 10 – 12 of this manual. Attach the steel frame to the fireplace once the fireplace is in its final position. Secure the steel frame to the framing brackets on each side of the unit. Ensure that the studs are set back far enough to allow for thickness of finishing surface.

The sides and top of the fireplace can be framed in up to the steel studs using conventional lumber. Consult local building codes for specific requirements.

Due to high temperatures, non-combustible backer board, such as cement board or its equivalent, must be used to sheet in the front of the fireplace. (Fig. #9) Standard sheetrock (dry wall) may be used beyond this.

If the backer board is not to be finished with other non-combustible material such as tiles, it is recommended that top sections of the framing kit be covered with a single sheet of calcium silicate board or its equivalent. Taped and mudded joints may crack due to the elevated temperatures.

**Chase Insulation:** When installing this fireplace against a non-insulated exterior wall or chase, it is recommended that the outer walls be insulated to the same degree as other exterior walls. Do not place fireplace directly against the insulation. Cover the insulation and plastic vapour barrier with a solid surface, such as dry wall (sheetrock). Consult local codes. Do not insulate or use plastic vapour barrier within the framing kit.

**CAUTION: SEE FIGURE #9a BEFORE PROCEEDING.**

**NOTE:**

**The chase must be properly sealed at the ceiling level or between floors in a multilevel installation.**

Fig. #8

NON-COMBUSTIBLE ZONE. DO NOT INSTALL ANY COMBUSTIBLE MATERIAL, ELECTRICAL WIRING, INSULATION, PLASTIC VAPOR BARRIER OR GAS PLUMBING WITHIN THE STEEL STUD FRAMING

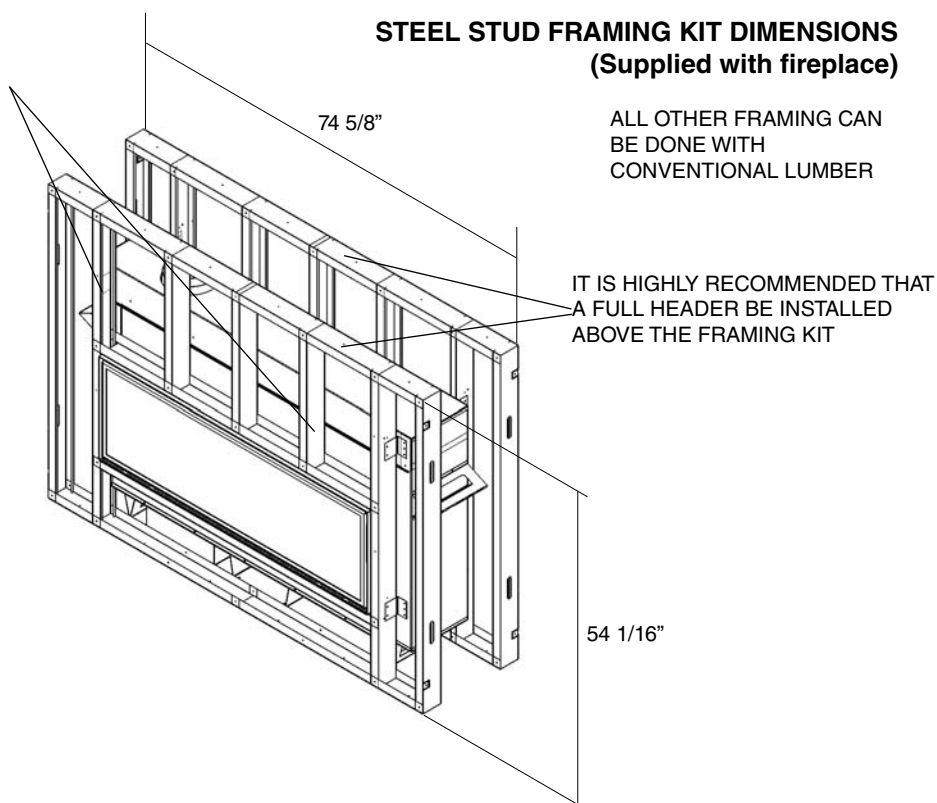


Fig. #9

### NON-COMBUSTIBLE BOARD DETAIL

NON-COMBUSTIBLE BOARD ONLY IN THESE AREAS

NON-COMBUSTIBLE MATERIAL MUST EXTEND TO THE TOP EDGE AND TO THE SIDE EDGE OF THE FRAMING KIT.

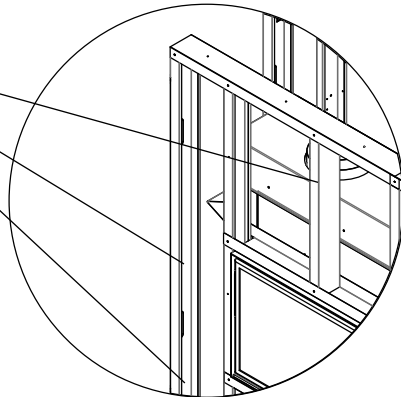


Fig. #9A

USE FULL SHEETS OF CALCIUM SILICATE BOARD AND FULL LENGTH METAL STUDS TO FINISH AND FRAME AROUND THE UNIT. CALCIUM SILICATE BOARD IS A HIGH GRADE MATERIAL WITH CEMENT, QUARTZ AND NATURAL MINERALS AS THE MAIN RAW MATERIALS. (NOTE: CALCIUM SILICATE IS 1/2" THICK)

**CAUTION:** CALCIUM SILICATE BOARD CAN BE DAMAGED IF DROPPED OR STRUCK. HANDLE WITH CARE. INSPECT BOARD PRIOR TO INSTALLATION AND DO NOT USE IF CRACKED.

**NOTE:** IT IS RECOMMENDED TO PRE-DRILL MOUNTING HOLES IN THE BOARD PRIOR TO SECURING TO THE FRAMING. THIS WILL PREVENT THE BOARD FROM CRACKING.

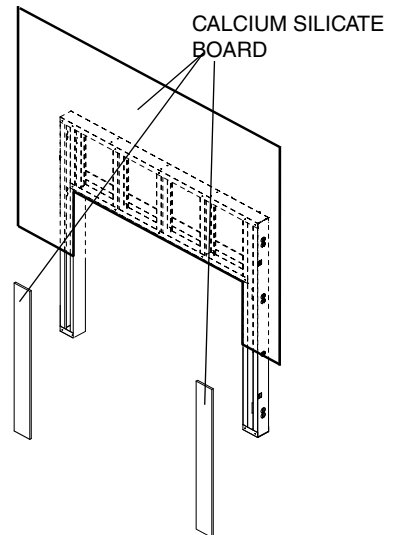


Fig. #10

### NON-COMBUSTIBLE RECESSED INSTALLATION DETAIL

NON-COMBUSTIBLE BOARD

STEEL STUDS

NON-COMBUSTIBLE MASONRY TYPE MATERIAL

MAXIMUM FACING DEPTH

6"

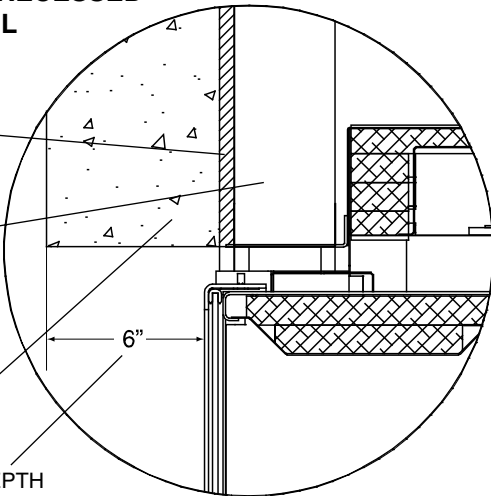
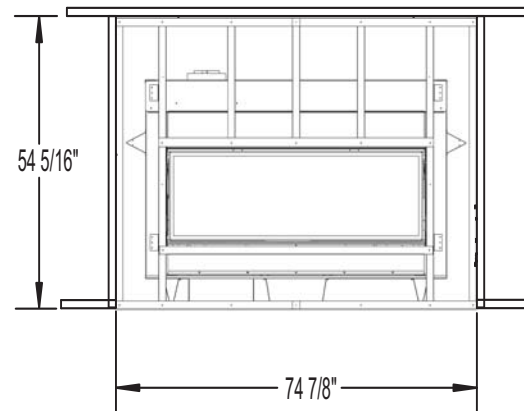
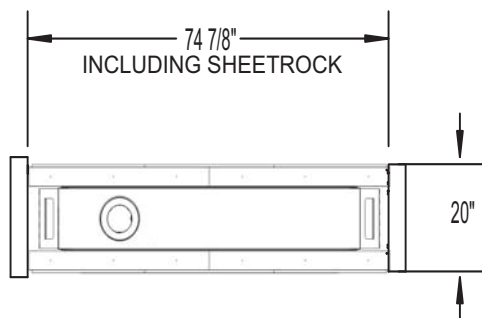


Fig. #11

### MINIMUM COMBUSTIBLE FRAMING DIMENSIONS

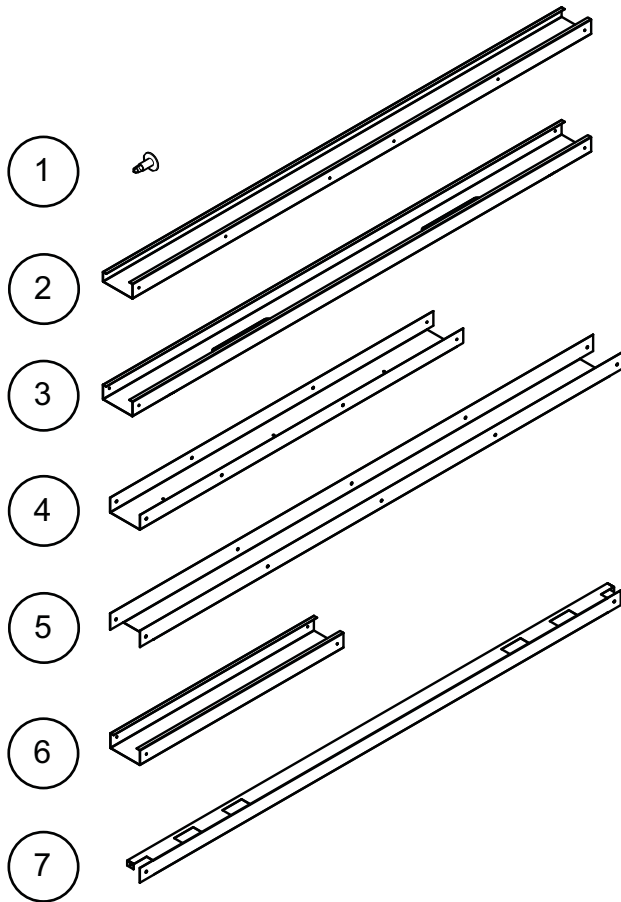


**NOTE:** FIREPLACE SHOULD BE IN ITS FINAL LOCATION BEFORE FRAMING.

# Steel Stud Framing Kit

TCWS.54STFRKIT

Each Kit Contains:



Item	Part #	Description	Qty.
1	5049.9912	SCREW, WAFER #8 x 1/2	Pkg 40
2	8493.4	STUD, SIDES 54" L	2
3	8493.2	STUD, OUTER SIDES 54" L	2
4	8493	STUD, UPPER/LOWER 38 1/16" L	4
5	8493.6	INNER CROSS BRACE 56 7/8" L	1
6	8493.8	STUD, CENTER 24" L	3
7	8293.9	LOWER CROSS BRACE 56 7/8" L	1

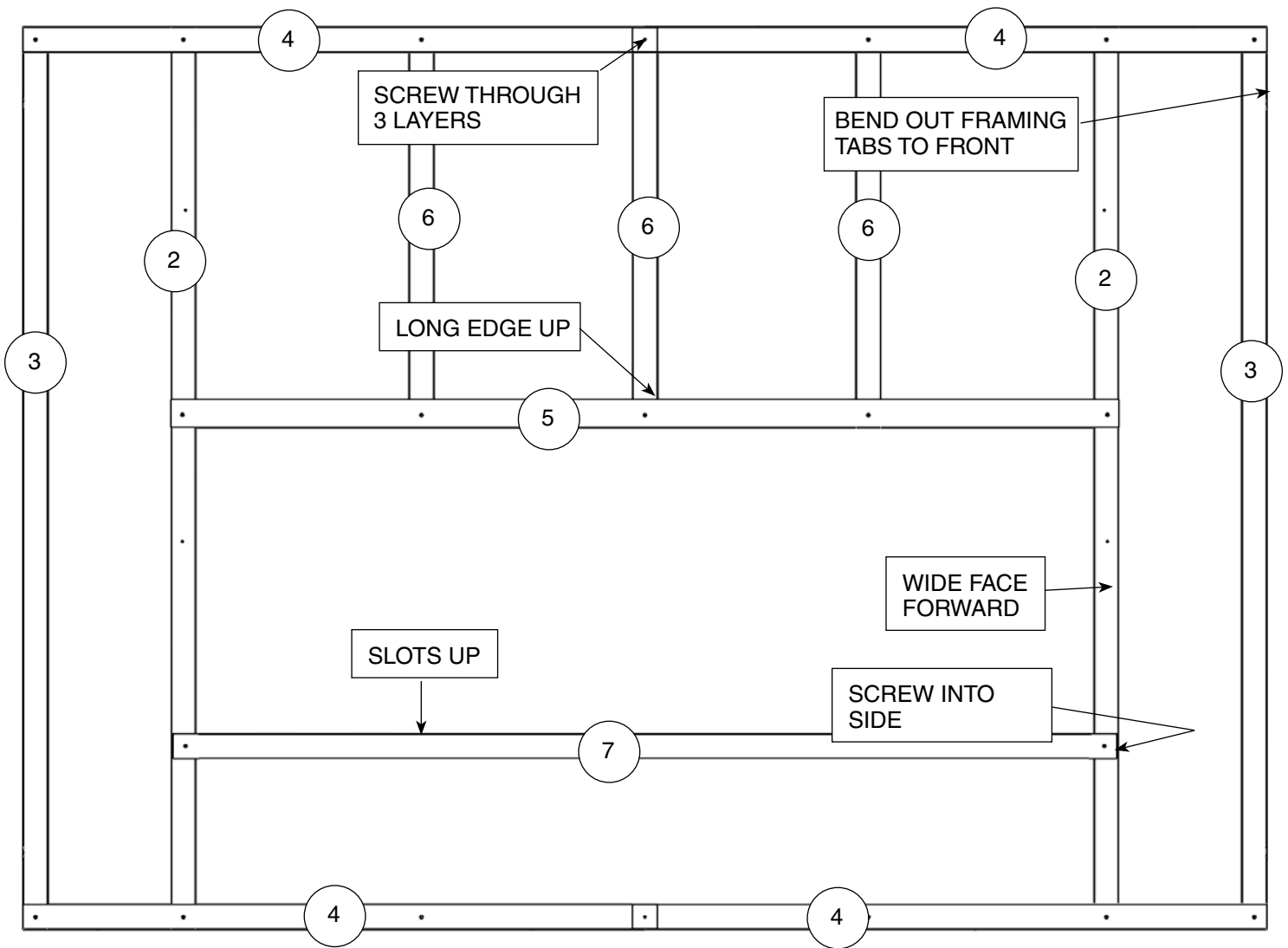
**NOTE: Sheet metal parts have sharp edges, use caution when handling.**

### 1. Frame Assembly

- Place 2 of (4) together as a top.
- Place 1 of (6) into the joint with the long edge facing up. Align the 3 holes and screw together with wafer screw (1)
- Attach the remaining (6) in the same manner at holes to the left and right of the center.
- Attach (2) with wide edge face up.
- Attach (5) to (6) and (2).
- Attach (7) to (2) using 1 screw through the top and 1 screw through the side at each end.
- Attach (3), 1 on each side with bend out tabs to the front.
- Place 2 remaining pieces of (4) together at the bottom of the framing kit in the same manner as the top, screw them together and attach to the inner steel studs.
- Turn the framing kit over and secure all studs from the back.

Fig. #12

FRONT VIEW



## 2. Attach the Assembled Frame to the Unit

- Align the assembled frame to the unit framing brackets. (Fig #13) Attach at the fastening points through the access holes in the outer side studs (3).



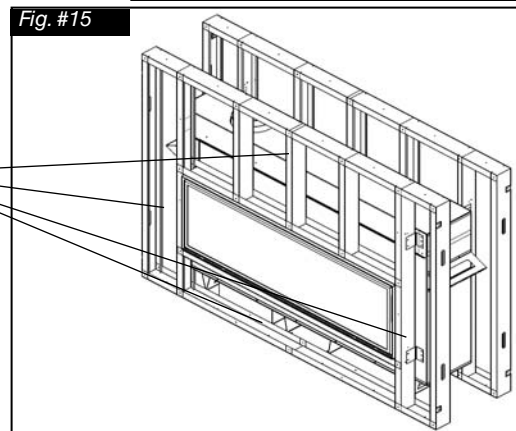
## 3. Secure to Existing Framing

- Bend out the tabs 90 degrees before inserting the unit into its framed housing (Fig. #14).
- Secure the frame assembly to the wood frame through the tabs.



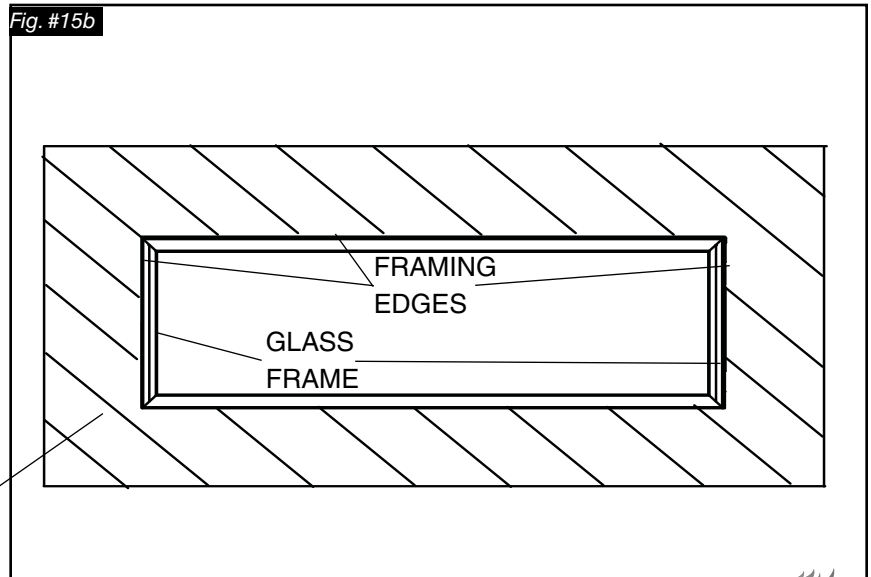
## 4. Install Non-Combustible Board Top and Sides(not supplied)

- Use drywall screws to install the non-combustible board. The non-combustible board should cover the total area of the steel stud framing kit, as a minimum, but can be extended if desired. (Fig. #15)



NON COMBUSTIBLE BOARD

This fireplace may be recessed up to a maximum depth of 6", this recess must be constructed from non combustible material. The space between the outside lintels and the firebox must be completely free of any obstructions or debris and the window with trim fitted must be able to move freely. No building material is permitted to protrude past the lintel bars attached to the fireplace under ANY circumstance.



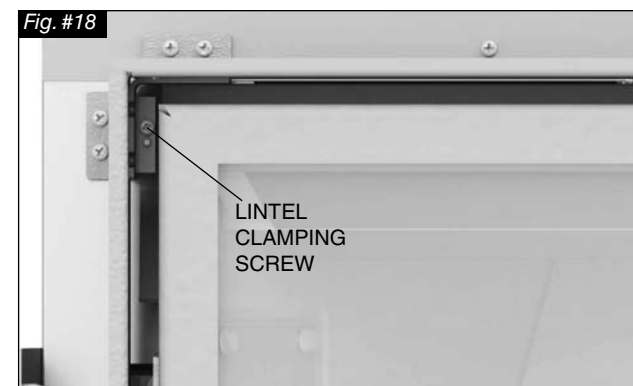
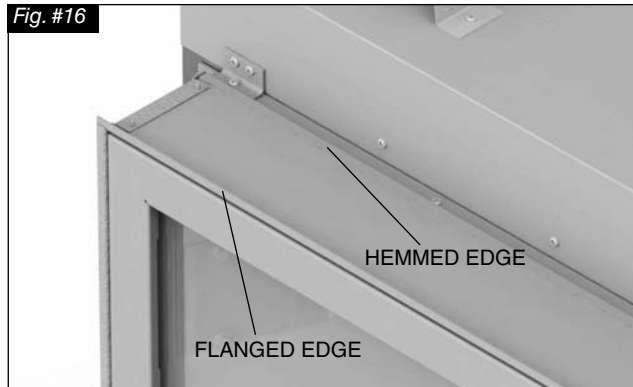
NON COMBUSTIBLE FINISH MATERIAL

# Adjustable Lintel

1. The adjustable lintel assembly has two orientations for desired finishing. The flanged edge and the hemmed edge. The lintel comes factory installed with the flange edge out. If the desired edge is different from the factory setting, use the following steps to change it (Fig.#16).
2. Remove the window trim from the window frame (Fig.#17).
3. Pull the lintel assembly away from the fireplace to disengage from the lintel support brackets.
4. Rotate the assembly to have the desired edge away from the fireplace then align and re-engage on the lintel support brackets.
5. Remove the front bottom lintel screw located on the bottom outside corners of the lintel assembly and move it to the hole on the other side of the center bottom lintel screw. (Fig. #19).

NOTE: The lintel assembly has a maximum range of adjustability of 5/8" to accommodate varying facing material thicknesses. The maximum depth of facing material is 6" (Fig.#15b).

6. Slide the lintel in or out to desired position within the maximum adjustable range.
7. Tighten the lintel clamping screws and the bottom lintel screws. (Fig.#18).
8. Re-attach the window trim.



# Maestro Control Plumbing and Electrical

The gas control system is located beneath the fireplace, below an access panel in the firebox bottom and the secondary floor (if installed). The fireplace is operated via a wall switch and a hand held remote control unit.

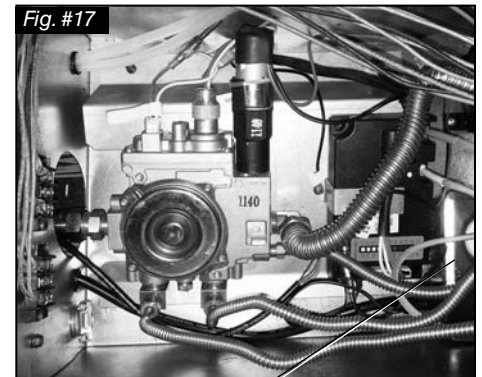
The wall control is connected to the fireplace by a 25 ft. communication cable supplied with the fireplace. The communication cable can be extended with an optional 25 ft. extension kit.

## Installation

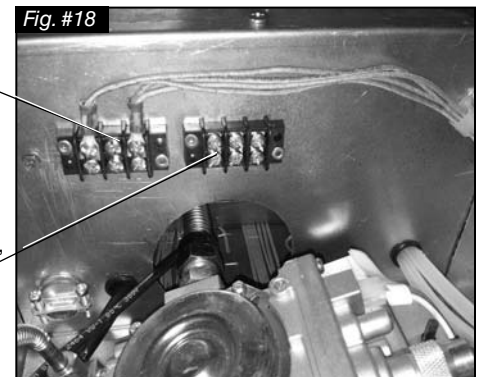
1. Place the fireplace in the desired location.
2. Remove the window from the fireplace.
3. Remove access panel from flue side of the firebox bottom(Fig. #16).
4. Connect a 110 V. AC electrical supply to the outlet installed inside the control box (Fig. #17).
5. Connect a 110 V. AC switched electrical supply to the electrical blocks installed inside the control box for the lighting. Block A is for the upper lights installed in all units. Block B is for the lighting in the secondary floor that comes with the optional Twilight diamond burner kit. (Fig. #18)
6. Connect the gas supply to the valve (Fig. #19).
7. Plug the A/C adaptor into the outlet (Fig. #19).
8. Attach the electrical box for the supplied wall control to the framing in the desired location (up to 50 ft. away). (25 ft. is supplied with fireplace. An additional 25 ft. can be achieved by using the optional kit (Part # 5005.064) available from your dealer).



ACCESS PANEL

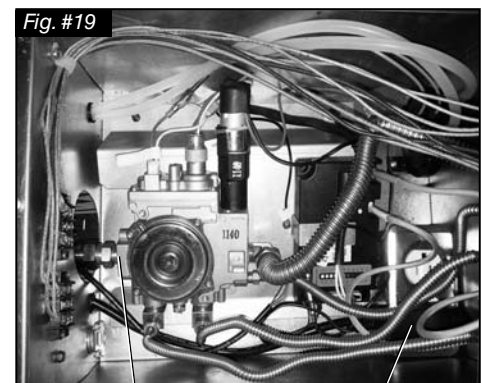


ELECTRICAL OUTLET BOX



BLOCK "A"

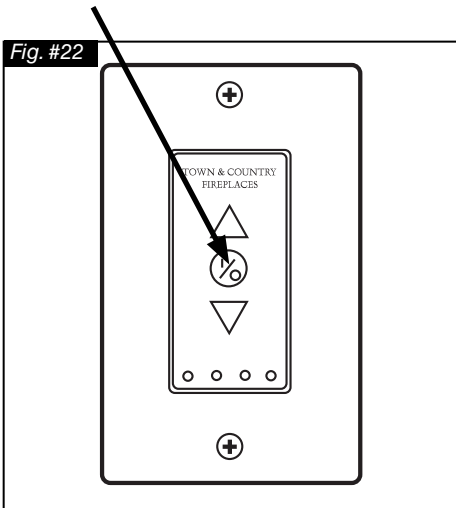
BLOCK "B"



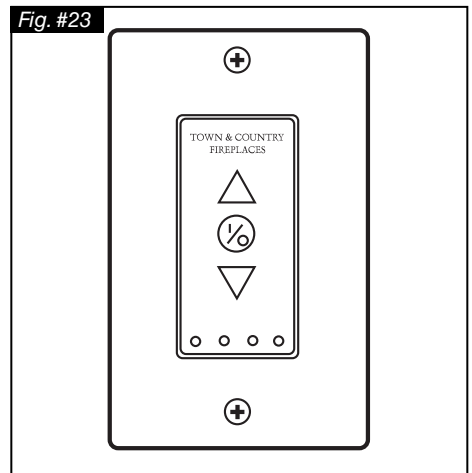
GAS CONNECTION

A/C ADAPTER

9. Route the communication cable as required to the wall control electrical box.
10. Attach the communication cable to the wall control. (Fig. #20)
11. Fasten the wall switch to the electrical box.
12. Fasten the faceplate to switch
13. If not already installed, install the burner and media set using the instructions supplied with the burner kit.
14. Turn on the gas supply and check that all connections are tight and leak free.
15. Turn on gas and electrical supplies.
16. Press the center button on the wall control (Fig. #22). The igniter will start to spark. After a short time the pilot will light, followed by the main burner.



17. Press the up button on the wall control and hold it for 5 seconds or until a clicking sound is heard from the gas control (Fig. #23). Release the button, check manifold pressure and ensure that it's correct. (Refer to Burner installation manual)
18. Press the center button of the wall control. The fireplace will shut off.
19. Install the remaining screws in the access panel and tighten.
20. Remove the pressure gauge and the extension test fitting and thread the pressure test port plug into the pressure test port. Thread sealant is required on the threads. (Refer to Burner installation section in this manual)
21. Turn the fireplace on and verify that the connections are tight.





## Pre-Purge Mode

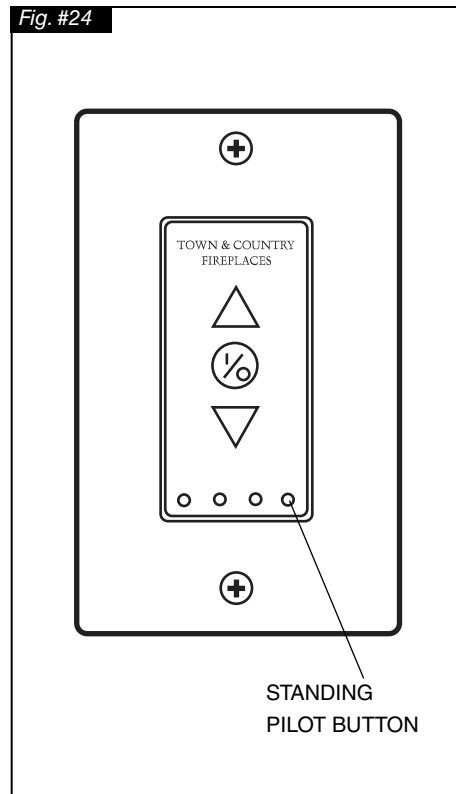
For use with a power vent only.

Follow these instructions to activate the power vent pre-purge feature. This feature must be activated for the safe operation of an appliance equipped with a power vent.

Switching to the power vent pre-purge mode:

1. To turn feature ON and OFF, press and hold the STANDING PILOT button on the wallswitch for 10 seconds (Fig.#24).
2. When the feature is activated, the green LED should flash (0.5 seconds ON, 0.5 seconds OFF) 5 times.
3. When the feature is deactivated, the red LED should flash (0.5 seconds ON, 0.5 seconds OFF) 5 times.
4. When the pre-purge feature is ON:
  - The low battery backup warning feature will be disabled and the LED will not flash to indicate low battery (The battery backup must be removed when using a power vent).
  - The Standing Pilot feature will be deactivated (feature not available when Power Vent Pre-Purge Mode is active).
  - Upon receiving any ON command, the power vent output will close immediately, but the ignition cycle will NOT begin for 10 seconds (pre-purge). **This means that the module WILL NOT emit a spark and WILL NOT energize the pilot operator and the 60 second ignition trial period WILL NOT begin until the 10 second pre-purge delay is complete.**
  - Upon receiving any ON command, the green LED will flash (0.5 seconds ON, 0.5 seconds OFF) for 10 seconds so the user will know that the fireplace is operating.

Fig. #24



## NOTE:

**The pre-purge feature must be activated for the safe operation of an appliance equipped with a power vent.**

# Gas Supply

Servicing of the appliance can be performed from inside the unit and through the access panel located in the firebox bottom.

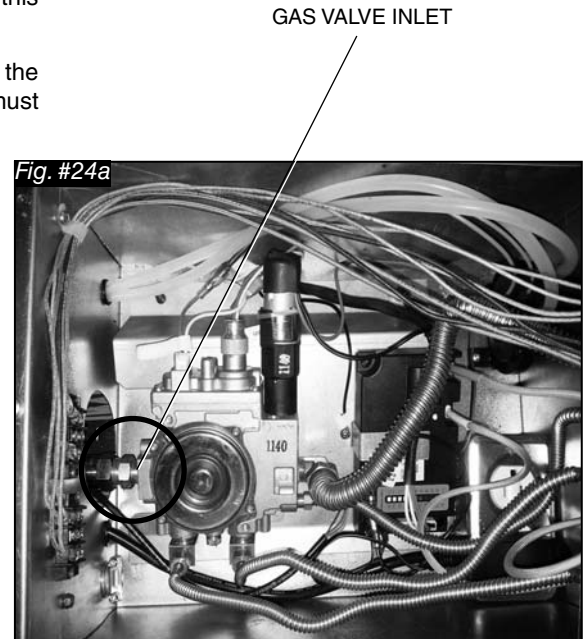
Caution: The gas line should be installed by a qualified service person in accordance with all building codes. This section is intended as a guide for qualified technicians installing this appliance. Consult local and/or national building codes before proceeding.

- Gas supply line access holes are located beneath the fireplace on the flue side of the Control Box. Gas valve inlet accepts a 3/8" N.P.T. fitting. Correct gas line diameter must be used to assure proper operation and pressure.
- The fireplace has an input rate of 61,000 BTU/HR on both Natural Gas and Propane.
- A drip leg must be installed in the gas supply line going to the gas control valve to minimize the possibility of any loose scale or dirt within the gas supply line from entering the control valve.
- It is essential that a union or flanged connection be installed just upstream of the valve and inside the control compartment to allow for repair or replacement of the gas valve.

Check local codes for additional requirements.

1. Connect the gas supply to the valve (Fig. #24a).
2. Turn on the gas supply and check that all connections are tight and leak free.

**WARNING: The access panel including gasket must be reinstalled after conversion/installation or servicing has been completed. Failure to do so will cause overheating and premature failure of the control system.**



# Gas Pressure Check

Note: To test the gas pressure, turn off the gas supply before removing the plug from the supply pressure test port or manifold pressure test port.

Verify gas pressures with the fireplace lit and on the highest setting.

Please refer to page 51 for gas pressure testing procedure.

## Correct gas pressure requirement:

Supply Pressure	Natural Gas	Propane	BTU
<b>Min. Pressure</b> <small>(For purpose of input adjustment)</small>	5.0" WC	12.5" WC	
<b>Max. Pressure</b>	13.9" WC	13.9" WC	
<b>Manifold Pressure</b>			
<b>Maximum</b>	3.5" WC	11" WC	61,000 (17.8kw)
<b>Minimum</b>	2.1" WC	5.5" WC	39,000 (11.5kw)
<b>115VAC 60Hz 8.5A</b>			

---

## Venting

**NOTE: Optional Power Vents (TCVT.PVCV, TVCT.PVC1, TCVT.PVC2, TCVT.PVC3) require different venting. Please refer to Power Vent manuals pages 20 and 31.**

Various combinations of vent runs may be used. For optimum performance and flame appearance, keep the vent length to a minimum and limit the number of elbows. Connections between each vent system component must be tightly joined, secured with sheet metal screws and sealed with high temperature self adhesive tape.

**VENT SUPPORTS:** A minimum of 1 support every 4' must be used.

**CAUTION: UNDER NO CONDITION SHOULD COMBUSTIBLE MATERIAL BE CLOSER THAN 1 3/4 INCHES FROM ANY PART OF THE VENTING PIPE.**

## PAINT:

The vent terminal comes pre-painted with Thurmalox 230 Series paint by Dampney Co., but can be painted to match your wall finish color using high temperature paint that can withstand temperatures of at least 250 degrees Fahrenheit or 120 degrees Celcius.

Ensure the your paint is compatible with Thurmalox 230 Series paint.

## MINIMUM CLEARANCES TO COMBUSTIBLE

Terminal casing:  
0in. (0mm)

Vertical vent pipe:  
1.75 in. (44mm)

Horizontal vent pipe:  
1.75 in. (44mm)

All other clearances are as per the fireplace installation instructions.

# TCVT.PV Power Vent Installation

Locate the fireplace as per the main instructions supplied.

Make the following modifications to add the components used with the Flush Mount Power Vent Kits. This Kit can only be used with Town and Country fireplace model TCWS54.CSTE only. This installation must conform with local codes or, in the absence of local codes, with the National Fuel Gas Code, ANSI Z223.1/NFPA 54, or the Natural Gas and Propane Installation Code, CSA B149.1.

All electrical installations should be performed by a qualified electrician to the Canadian and U.S. National Electrical Codes (CSA C22.1 for Canada), (ANSI/NFPA 70 for the U.S.) and/or local electrical codes.

**UNDER NO CIRCUMSTANCES SHALL A RHEOSTAT BE USED TO ALTER THE VOLTAGE SUPPLY TO THIS UNIT.**

## Contents of Power Vent Kit

ITEM	PART No.	DESCRIPTION	QTY
1	TCVT.7895	Flush Mount Power Vent Assy.	1
2	8020	Inner Wall Plate	1
3	8029	Wall Pipe Cover	1
4	TCVT.8028WLD	Wall Sleeve Assembly	1
5	5048.4	#10-16 x 5/8" Tech Screw	8

Fig. #1

## VENTING CONFIGURATIONS

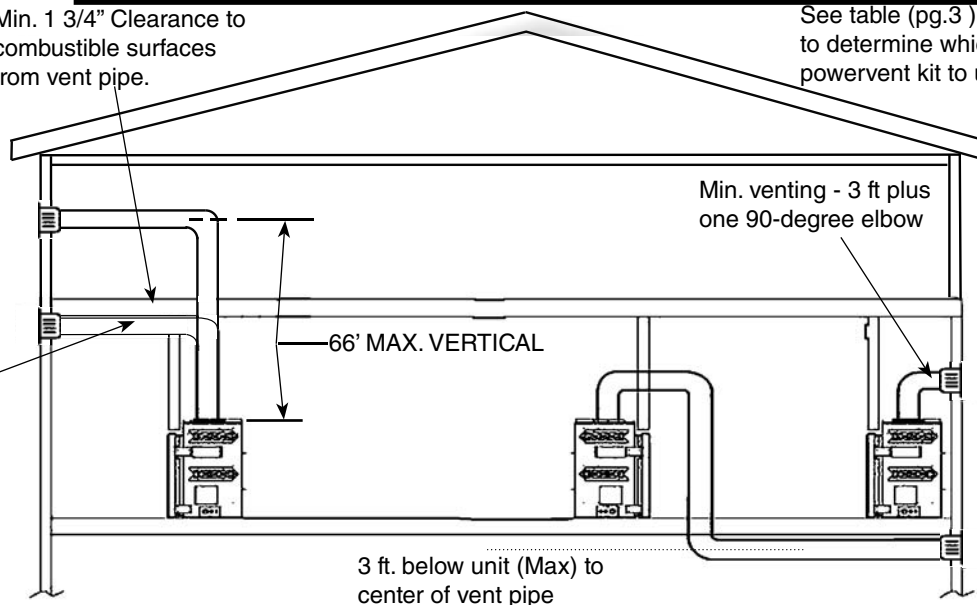
Maximum total vent length is 110ft plus six 90-degree elbows or combination of other elbows equaling 90-degrees, with a maximum 66 foot vertical rise. Minimum total vent length is 3 ft plus one 90-degree elbow. The vent can be installed with any combination of rise and run including up to 3 ft below the unit. Ensure vent pipe is properly supported.

Maximum Combined vertical & horizontal venting - 110 ft plus six 90-degree elbows.

## Venting Configurations

Min. 1 3/4" Clearance to combustible surfaces from vent pipe.

See table (pg.3) to determine which power vent kit to use.



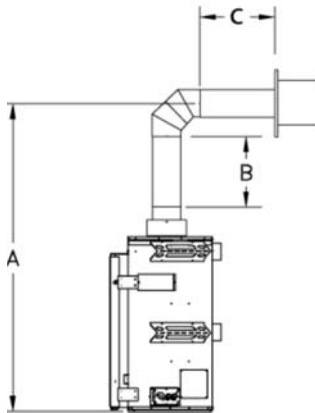
# Venting Length

## TCWS.54CSTE

POWER VENT	0 - 6'	7' - 25'	26' - 110'
TCVT.PV1.25	LOW	HIGH	-
TCVT.PV7.110	-	LOW	HIGH

# Minimum Vent Length Chart

Fig. #2



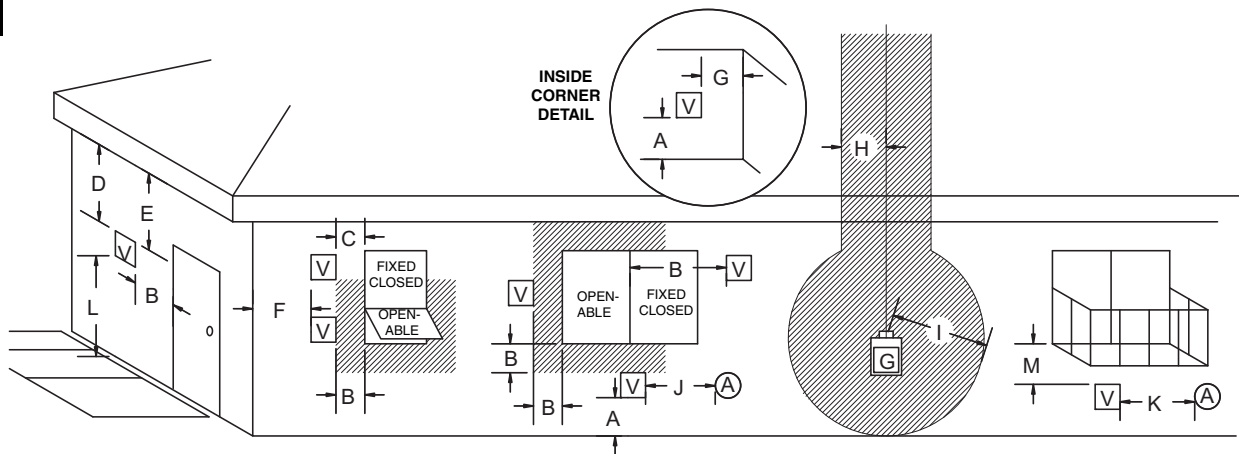
A	B	C
Minimum Rise From Floor to Flue Center	Pipe Length	Min. Pipe Length
	TCWS54 CSTE	
49"	0"	3 feet
61"	12"	2 feet
73"	24"	1 foot

\*

This power vent kit is used with MODEL:TCWS.54CSTE

# Vent Terminal Minimum Clearances

Fig. #3



**V** VENT TERMINAL

**A** AIR SUPPLY INLET

**■** AREA WHERE TERMINAL IS NOT PERMITTED

**G** GAS METER

- A= clearances above grade, veranda, porch, deck, or balcony [\* 12 inches (30 cm) minimum]
- B= clearance to window or door that may be opened [\* 12 inches (30 cm) minimum]
- C= clearance to permanently closed window [minimum 12 inches (30 cm) recommended to prevent condensation on window]
- D= vertical clearance to ventilated soffit located above the terminal within a horizontal distance of 2 feet (60 cm) from the edge of the terminal [0 inches (0 cm) minimum]
- E= clearance to unventilated soffit [0 inches (0 cm) minimum]
- F= clearance to outside corner [6 inches (15 cm) minimum]
- G= clearance to inside corner [3 inches (7.5 cm) minimum]

- H= \* not to be installed above a meter/regulator assembly within 3 feet (90 cm) horizontally from the center-line of the regulator
- I= clearance to service regulator vent outlet [\* 6 feet (1.8 m) minimum]
- J= clearance to nonmechanical air supply inlet to building or the combustion air inlet to any other appliance [\* 12 inches (30 cm) minimum]
- K= clearance to a mechanical air supply inlet [\* 6 feet (1.8 m) minimum]
- L= ^ clearance above paved side-walk or a paved driveway located on public property [\* 7 feet (2.1 m) minimum]
- M= clearance under veranda, porch, deck, or balcony [0 inches (0 cm) minimum\*\*]

^ a vent shall not terminate directly above a side-walk or paved driveway which is located between two single family dwellings and serves both dwellings\*

\*\* only permitted if veranda, porch, deck, or balcony is fully open on a minimum of 2 sides beneath the floor\*

\* as specified in CGA B149 Installation Codes, Note: local Codes or Regulation may require different clearances

\* for U.S.A. Installations follow the current National Fuel Gas Code, ANSI Z223.1

**CAUTION:**

This terminal is designed to be flush, or protruding to the finished outside wall. Under no circumstances should this terminal be recessed into the wall past this point. (Fig. #8)

## Horizontal (Side Wall) Venting

This kit uses either Simpson Duravent GS direct vent pipe, Secure Vent direct vent pipe, Selkirk Direct-temp vent pipe or ICC Exceldirect vent pipe with a 5" inner pipe and an 8" outer pipe. For part numbers see the table of venting components on page 29 of this manual. This vent can only be used as a side wall termination.

1. Locate the power vent termination following the clearance to combustible table (Pages 20-22), venting configuration diagram (Fig. #1 & 2), and terminal location diagram (Fig. #3).

2. Cut and frame a 14 5/8" wide by 14 7/8" high opening. For standard up and out installations, the opening should be 3/4" lower than the minimum specified in Fig. #2. Height of the opening will vary with each installation. See Fig. #5.

3. Attach the power vent terminal, by securing the outer flanges on the perimeter of the terminal to the outside wall; ensure that the terminal is the right way up (exhaust at the bottom). Once secured to the building, the outer flanges may be covered with siding/ stucco/etc. up to the level of the perimeter edge. As per local building codes. See Fig. #6.

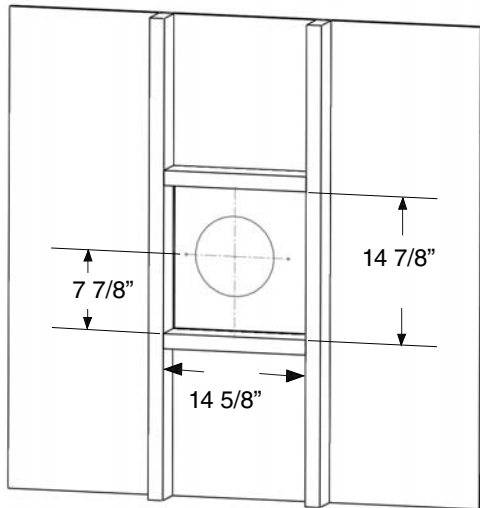
4. Determine desired amount of exterior power vent protrusion, and fasten mounting flange with supplied fasteners. Silicone joint after installation. See Fig. #30 and 31.

5. For wall thicknesses 7 1/2" or less, install the inner wall plate supplied over the terminal as shown in Fig. #6 and secure to the framing. See Fig. #7.

**CAUTION:**

The adjustable vent restrictor located on the underside of the firebox top must be fully open.

Fig. #5



**CAUTION:**  
The rise and run combination and the number of elbows must not exceed specifications in Fig #1 and Fig #2.

Fig. #7

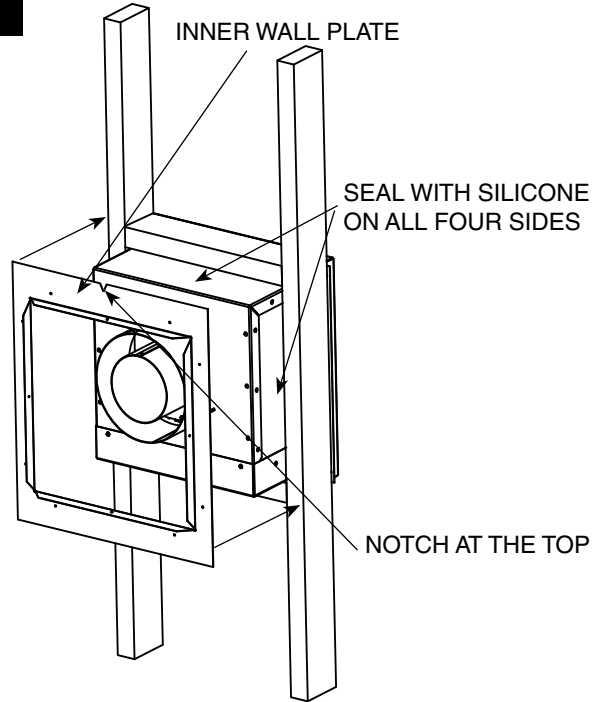


Fig. #6

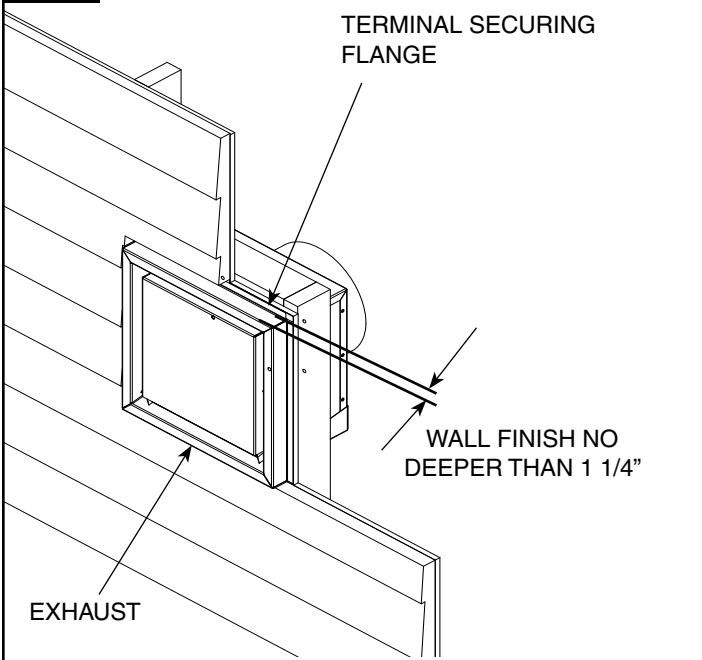
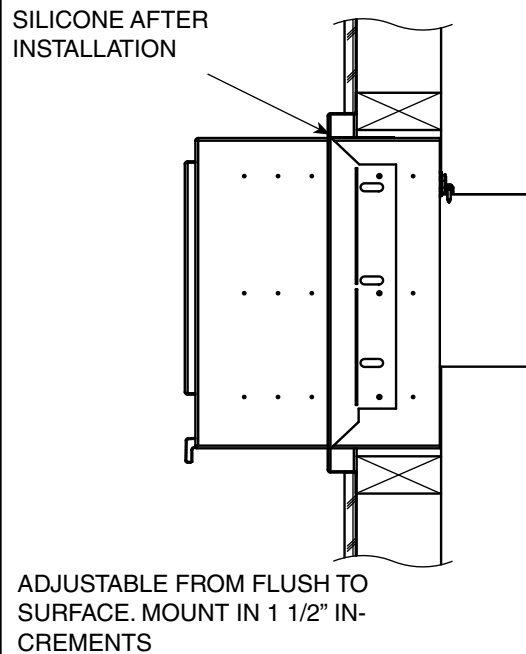


Fig. #30



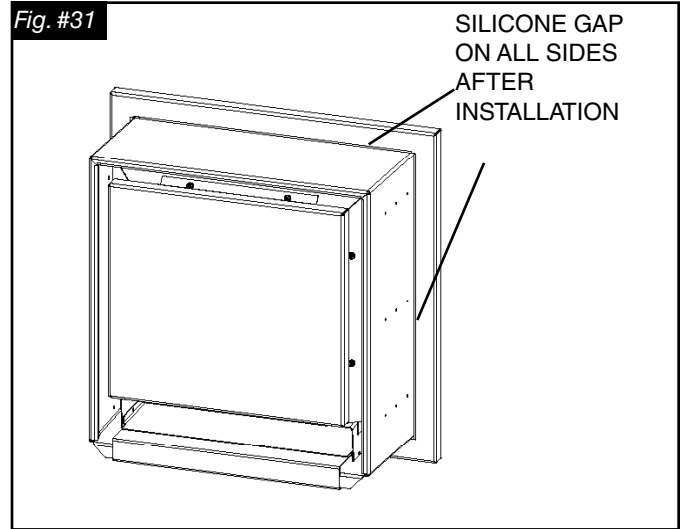
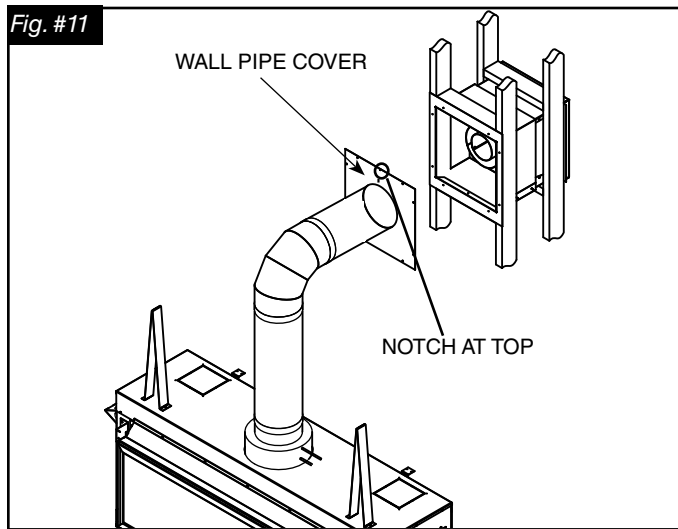
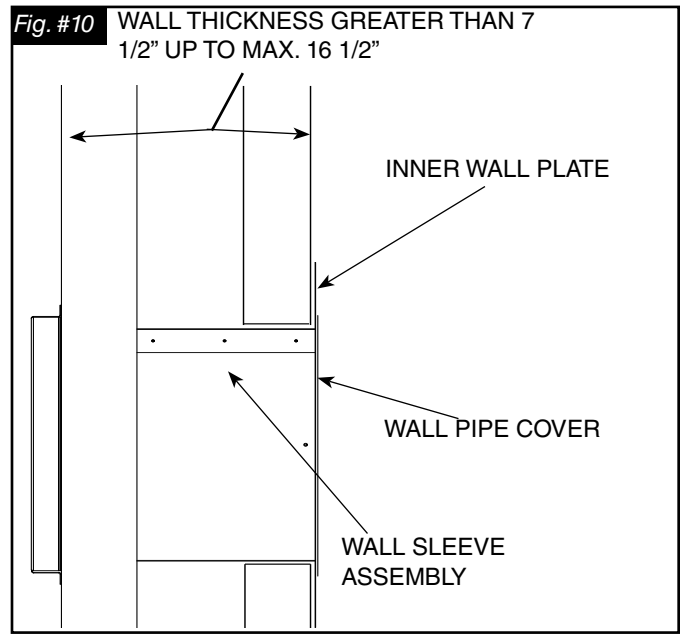
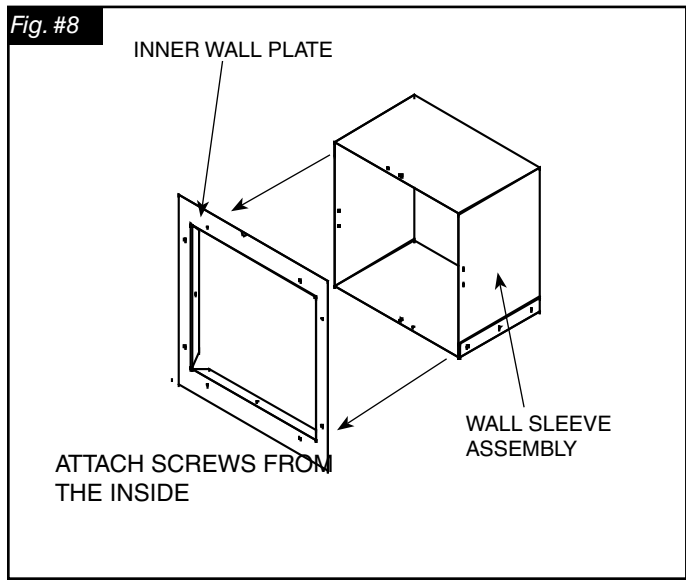
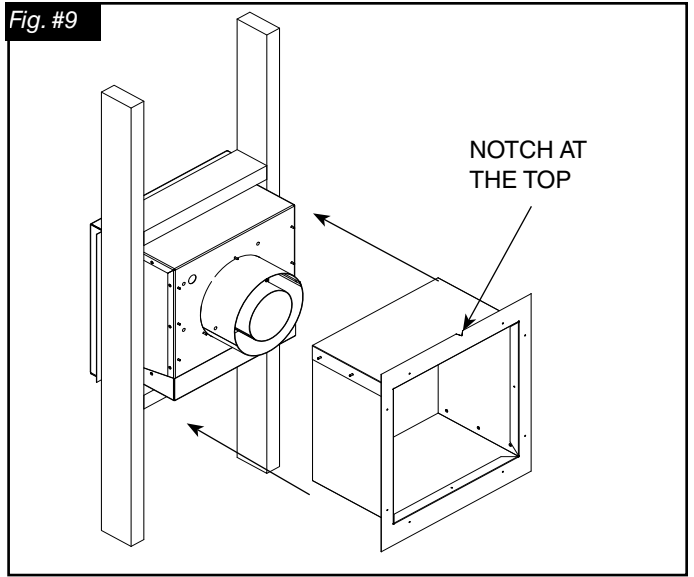


7. For wall thicknesses greater than 8" and up to a maximum of 16 1/2", attach the inner wall plate to the wall sleeve assembly, using the four screws provided (Fig #8). Then slide this assembly over the terminal with the notch at the top (Fig #9 & Fig. #10).

8. Slide the wall pipe cover, with the small notch oriented at the top, over the vent pipe and attach pipe to the fireplace. (Fig #11) Connect the vent pipe to the vent terminal and then secure the inner wall plate and wall pipe cover to the framing. This ensures that any insulation is retained in the wall and that the correct clearances are maintained.

9. Run the required Simpson DuraVent GS / Secure Vent / Selkirk Direct-temp or ICC Exceldirect pipe from the adaptor to the terminal assembly. Assemble as per the vent pipe manufacturer's instructions including all shields and firestops.

NOTE: The vent terminal comes pre-painted, but can be painted to match your wall finish color using high temperature paint that can withstand temperatures of at least 250 degrees Fahrenheit or 120 degrees Celcius.



# Control System Connection

The gas control system is located beneath the fireplace, below an access panel in the firebox bottom and the secondary floor (if installed). The fireplace is operated via a wall switch and a hand held remote control unit.

The wall control is connected to the fireplace by a 25 ft. communication cable supplied with the fireplace. The communication cable can be extended with an optional 25 ft. extension kit.

## Installation

1. Place the fireplace in the desired location.
2. Remove the window from the fireplace.
3. Remove access panel from flue side of the firebox bottom(Fig. #12).
4. Connect a 110 V. AC electrical supply to the outlet installed inside the control box (Fig. #13).

ACCESS PANEL

Fig. #12

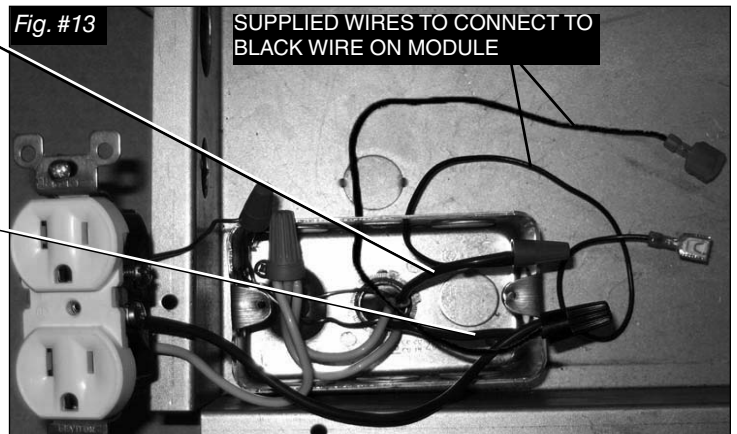


HOT WIRE FROM BLOWER

Fig. #13

HOT WIRE FROM 120V SUPPLY

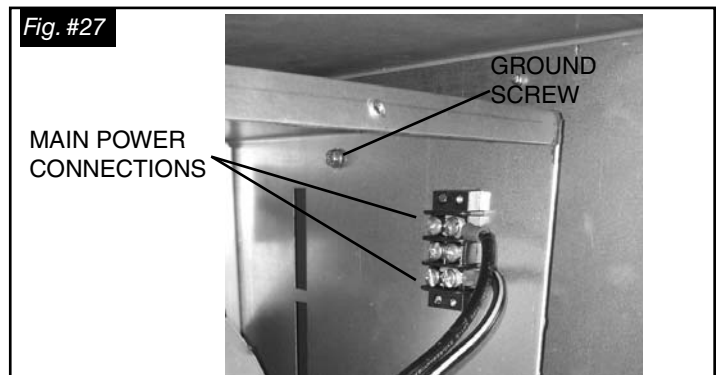
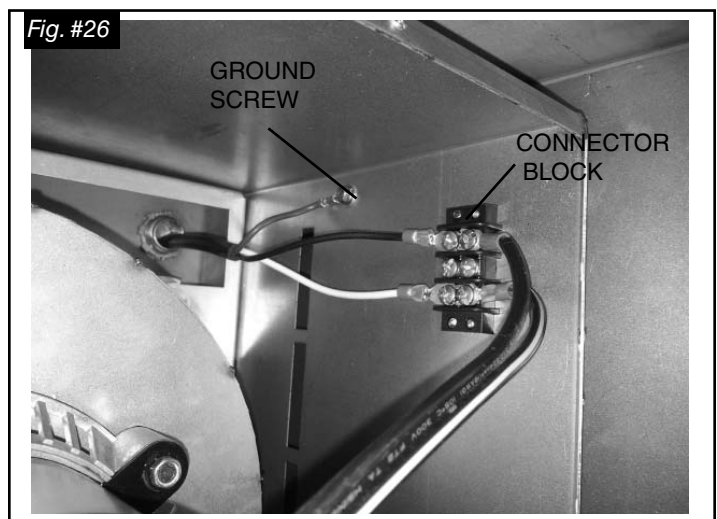
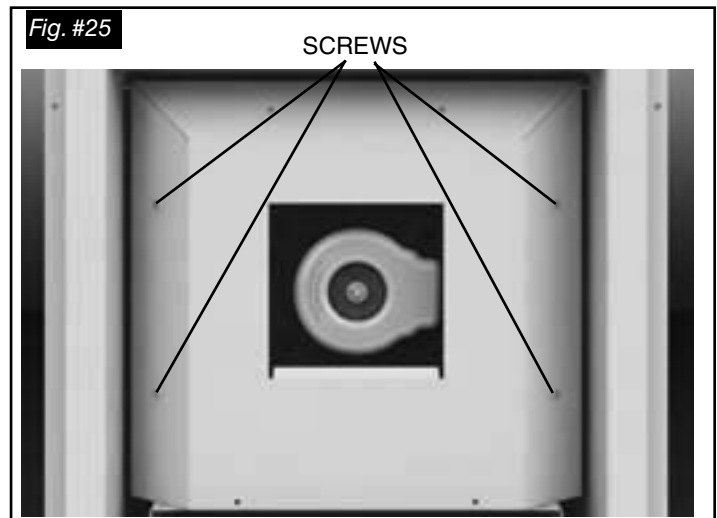
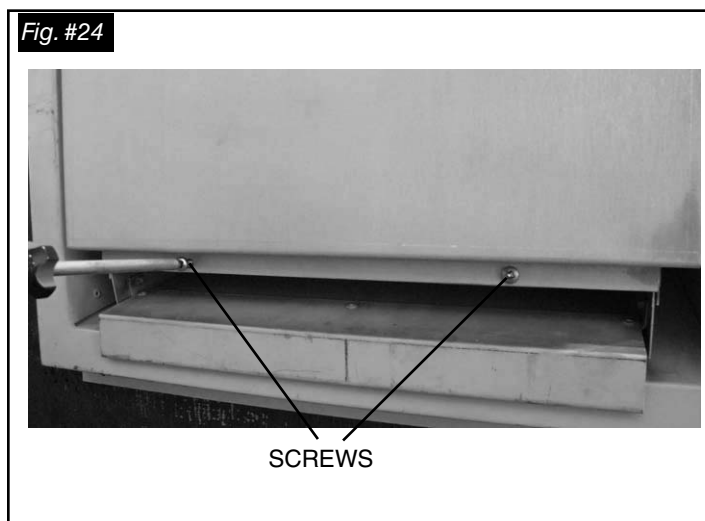
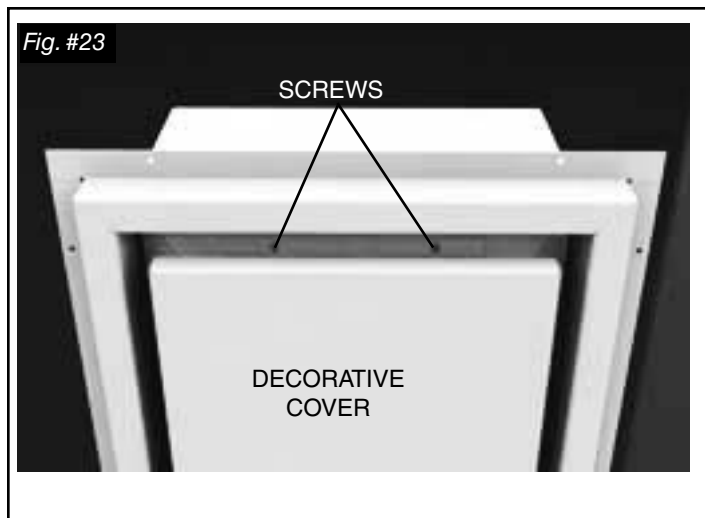
SUPPLIED WIRES TO CONNECT TO BLACK WIRE ON MODULE



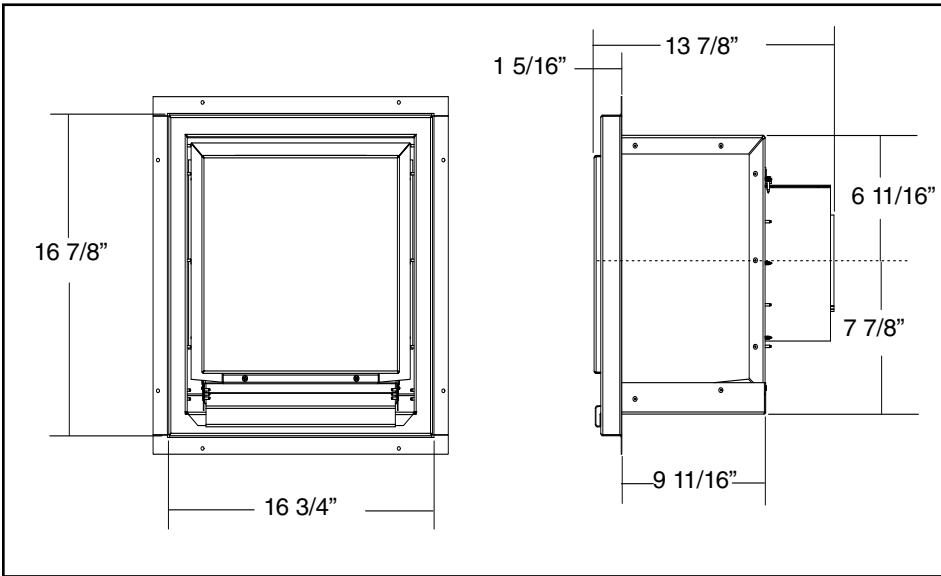
# Fan Wiring

The Flush Mount Power Vent assembly has an electrical connector block mounted internally. The external wiring from the main voltage/control module should be connected to this block. Follow the steps below to access this block.

1. Remove the 2 top and 2 bottom screws securing the end cap only. Remove the cover (Fig #23 & #24).
2. Remove the 4 screws securing the blower cover to the assembly and remove. (Fig #25)
3. Run the power supply wire from the fireplace to the connector block inside the power vent assembly. (Fig #26 & #27).  
Connect wires as shown. Connect ground to ground screw and tighten strain relief.
4. Reposition blower cover and secure in place with previously removed screws. Place the end cover back onto the upper tabs and secure in place with 2 screws on top and 2 on bottom.



# Dimensions



## PAINT:

The vent terminal comes pre-painted with ThurmaloX 230 Series paint by Dampney Co., but can be painted to match your wall finish color using high temperature paint that can withstand temperatures of at least 250 degrees Fahrenheit or 120 degrees Celsius.

Ensure your paint is compatible with ThurmaloX 230 Series paint.

# Venting Components

## SIMPSON DURAVENT COMPONENTS

Number	Description
1208	6" Pipe Length
1207	9" Pipe Length
1206	12" Pipe Length
1204	24" Pipe Length
1203	36" Pipe Length
1202	48" Pipe Length
1211	11" to 14-5/8" Pipe, Adjustable
1217	4-10" Pipe, Adjustable
1245	45° Elbow
1290	90° Elbow
1240	Round Ceiling Support /Wall Thimble Cover
1241	Cathedral Ceiling Support Box
1242	Wall Firestop
1247	Wall Thimble
1263	Ceiling Firestop
1288	Wall Strap

## SECURE VENT COMPONENTS

Number	Description
SV5L6	6" Pipe Length
SV5L12	12" Pipe Length
SV5L24	24" Pipe Length
SV5L36	36" Pipe Length
SV5L48	48" Pipe Length
SV5LA	6" Pipe, Adjustable
SV5LA12	12" Pipe, Adjustable
SV5LA24	24" Pipe, Adjustable
SV5E45	Swivel 45° Elbow
SV5E90	Swivel 90° Elbow
SV5CSB	Adjustable decorative sq. cathedral support
SV5AC	Collar for decorative sq. cathedral support
SV5SU	Universal support
SV5SD	Floor support
SV5BM	Wall band
SV5RSA	Attic radiation shield
SV5RSM	Wall radiation shield
SV5BF	Firestop

## SELKIRK DIRECT-TEMP

Number	Description
1605006	6" Pipe Length
1605009	9" Pipe Length
1605012	12" Pipe Length
1605018	18" Pipe Length
1605024	24" Pipe Length
1605036	36" Pipe Length
1605048	48" Pipe Length
1605082	4-10" Pipe, Adjustable
1605215	45° Elbow
1605230	90° Elbow
1605424B	Cathedral ceiling support box (blk)
1605500	Firestop spacer
1605460B	Wall thimble (blk)
1605430	Wall support band

## ICC MODEL EXCELDIRECT

Number	Description
TC-5DL6	6" Pipe Length
TC-5DL1	12" Pipe Length
TC-5DL2	24" Pipe Length
TC-5DL4	48" Pipe Length
TC-5DLF	36" Flexible Length
TC-5DLT	12" Pipe, Adjustable, Galvalume
TE-5DE45	Swivel 45° Elbow, Galvalume
TE-5DE90	Swivel 90° Elbow, Galvalume
TM-5SS	Square Support / Radiation Shield
TM-5RDS	Round Support / Radiation Shield
TM-5CS	Cieling Support / Firestop
TM-OS	Offset Support
TM-SR	Roof Support
TM-WS	Adjustable Wall Support
TM-5WT	Insulated Wall Thimble
TM-5TR	Trim Ring, Black
TM-5AS	Attic Radiation Shield / Firestop

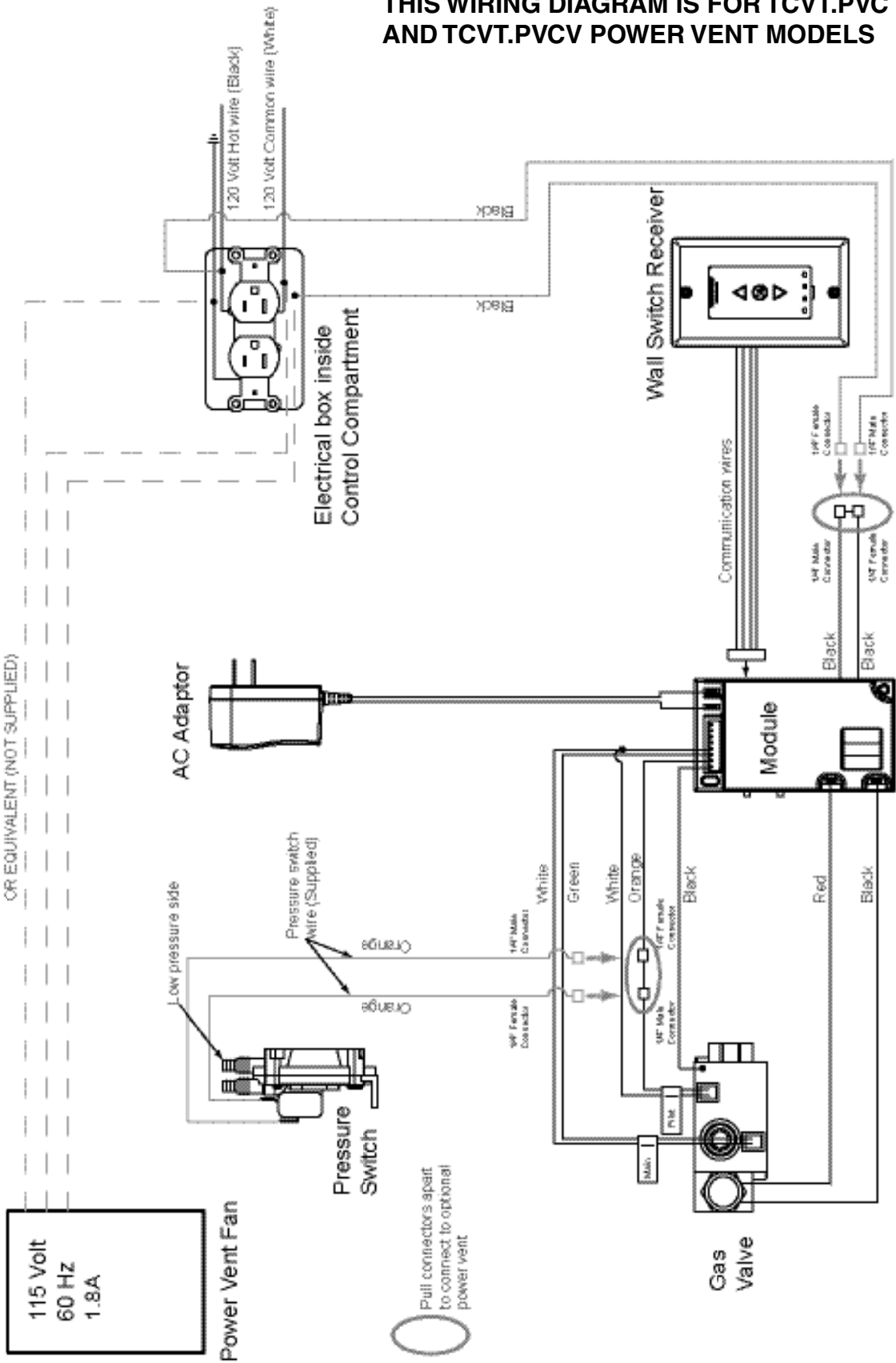
# Wiring Diagram

## NOTE

**THIS WIRING DIAGRAM IS FOR TCVT.PVC AND TCVT.PVCV POWER VENT MODELS**

Wiring the Optional Power Vent Kit provided by Town & Country

STANDARD AWG 14-2 WIRE OR EQUIVALENT (NOT SUPPLIED)



All electrical installations should be performed by a qualified electrician to the Canadian and U.S. National Electrical Codes (CSA C22.1 for Canada), (ANSI/NFPA 70 for the U.S.) and/or local electrical codes.

## NOTE

**THIS POWER VENT IS FOR VERTICAL (THROUGH ROOF) TERMINATION ONLY**

### MINIMUM CLEARANCES TO COMBUSTIBLE

Vertical vent pipe:  
1.75 in. (44mm)

Horizontal vent pipe:  
1.75 in. (44mm)

All other clearances are as per the fireplace installation instructions.

## TCVT.PVCV Power Vent Installation

Locate the fireplace as per the main instructions supplied.

Make the following modifications to add the components used with the Power Vent kits. This kit can only be used in conjunction with the "B" & "C" series versions of Town and Country Fireplaces. This installation must conform with local codes or, in the absence of local codes, with the Natural Fuel Gas Code, ANSI Z223.1/NFPA 54, or the Natural Gas and Propane Installation Code, CSA B149.1.

All electrical installation should be performed by a qualified electrician to national codes (CSA C22.1, ANSI/NFPA 70) and/or local electrical codes.

**UNDER NO CIRCUMSTANCES SHALL A RHEOSTAT BE USED TO ALTER THE VOLTAGE SUPPLY TO THIS UNIT.**

## Contents of Power Vent Kit

ITEM	PART No.	DESCRIPTION	QTY
1	TCVT.502462	Power Vent Terminal	1
2	TCVT.PVVCA	TC Vertical Power Vent	1

Fig. #51

### VENTING CONFIGURATIONS

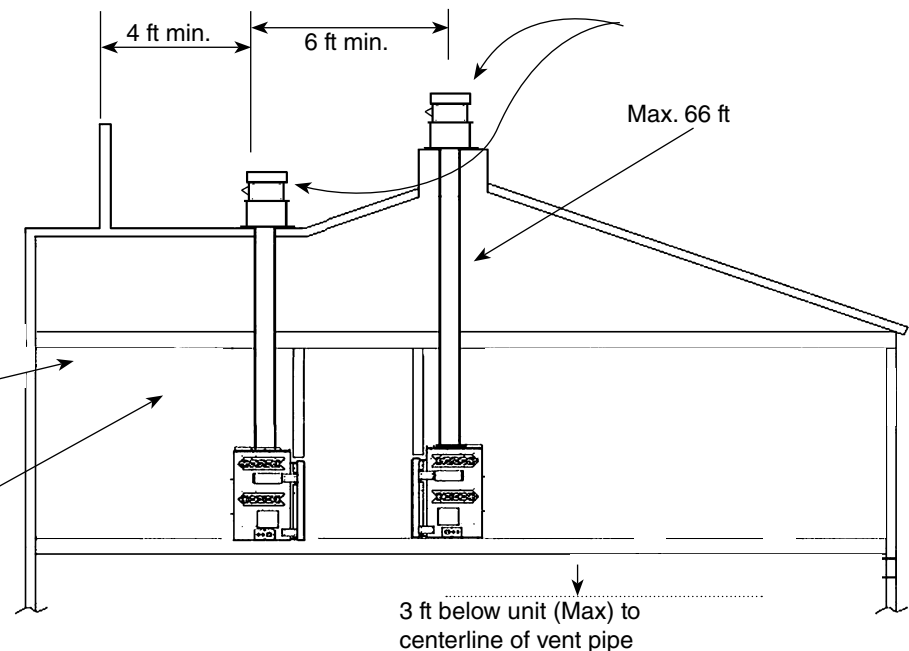
Maximum vent length is 110 ft plus six 90-degree elbows or combination of other elbows equaling 90-degrees, with a maximum 66 foot vertical rise. Minimum total vent length is one 90-degree elbow plus one foot horizontal.

The vent can be installed with any combination of rise and run between the figures including up to 3 ft below the unit. Ensure vent pipe is properly supported.

Min. 1 3/4" Clearance to combustible surfaces from vent pipe.

Maximum Combined vertical & horizontal venting - 110 ft plus six 90-degree elbows.

## Venting Configurations



### VENT PIPE

This kit uses either Simpson Duravent GS direct vent pipe, Secure Vent direct vent pipe, Selkirk Direct-temp vent pipe or ICC Excel Direct vent pipe with a 5" inner pipe and an 8" outer pipe. For part numbers see the table of venting components on page 29 of this manual.

# Vertical (Through Roof) Venting

**Vertical installations must use the optional TCVT.PVCA vertical adaptor box in conjunction with this kit.** The vertical adaptor box can only be installed on a flat surface. Sloped surfaces require the construction of a chase which provides the minimum interior, square opening of 11" x 11" for the venting and wiring to pass through. Flat roofs may require a chase depending on local codes and roof construction. (If in doubt check with local inspector)

The terminal must be located in accordance with the clearances outlined in Fig. #51 and 28.

## Installation:

All part numbers in the following section are shown in Fig. #52.

1. Place the flashing (Part A) onto the chase and seal using silicone.
2. Put a bead of silicone on the underside of the vertical standoff (Part B) and place it on top of the flashing. Align the eight holes and secure both parts to the chase using eight #8 x 1 1/2" screws provided.
3. Install the drip shield (Part C) onto the top of the vertical standoff using a bead of silicone between the two. Do not screw this part in place.
4. Bring the 14-2 electrical wire (not supplied) up through the holes in both the flashing and the drip shield leaving at least 12" of excess wire above the drip shield.
5. **IMPORTANT:** Attach an appropriate length(s) of the vent to the power vent terminal, sufficient to pass through the chase.

**NOTE: DO NOT CONNECT AN ADJUSTABLE LENGTH VENT PIPE TO THE TERMINAL.**

6. Seal the connection of the first length of pipe at the terminal and any other pipe to pipe joint by both screwing and taping the outside joint using high temperature foil tape.
7. Remove the junction box cover. (Part D)
8. Remove and discard the exhaust shield. (Part E)
9. Apply a bead of silicone on the bottom flange of the power vent terminal.
10. Slide the vent through the drip shield and at the same time thread the electrical lead through the hole in the bottom of the terminal.

11. With the power vent terminal resting on the drip shield, align the eight holes in each of the vertical standoff, the drip shield and the power vent terminal and then screw them together using the eight #8 x 1/2" stainless screws provided.

12. Join the 14-2 wire lead to the blower wires using the appropriate connectors and attach the ground wire. Reinstall the junction box cover.

13. Install the vertical rain cap (Part F) over the power vent blower. **ALIGN THE EXHAUST OUTLET ON THE POWER VENT TERMINAL WITH THE EXHAUST PORT ON THE VERTICAL RAIN CAP.**

14. Secure the vertical rain cap to the power vent blower with the remaining eight #8 x 1/2" stainless screws.

**NOTE:**  
THERE ARE NO PILOT HOLES IN THE BASE OF THE POWER VENT TERMINAL. 1/8" DIAMETER PILOT HOLES SHOULD BE DRILLED USING THE HOLES IN THE VERTICAL RAIN CAP AS A GUIDE.

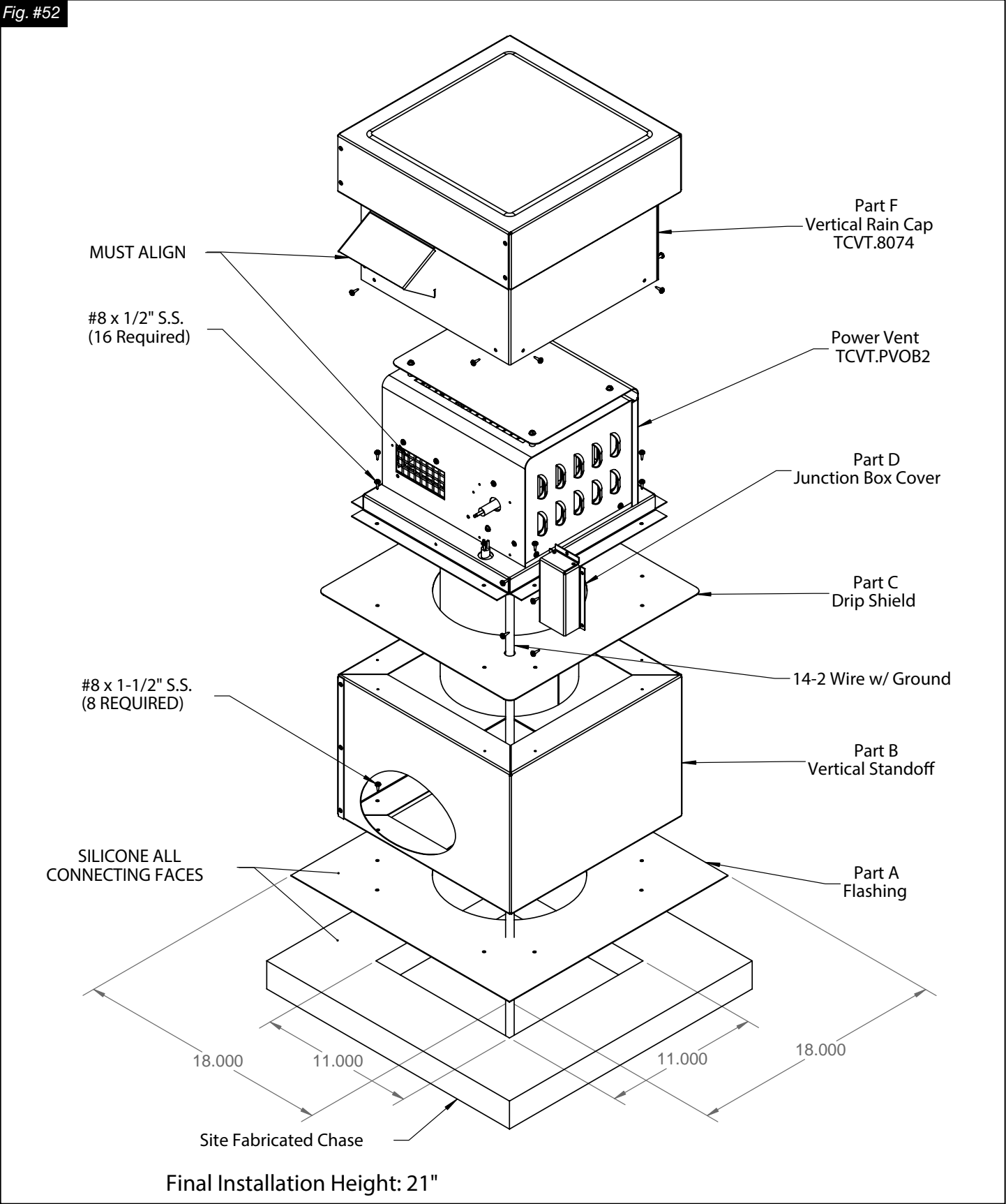
**DO NOT SILICONE THE VERTICAL RAIN CAP TO THE POWER VENT TERMINAL AS IT NEEDS TO BE REMOVABLE FOR SERVICING.**

15. Run the required Simpson DuraVent GS / Secure Vent / Selkirk Direct-temp/ ICC pipe from the adaptor to the terminal assembly. Assemble as per the vent pipe manufacturer's instructions including all shields and firestops.



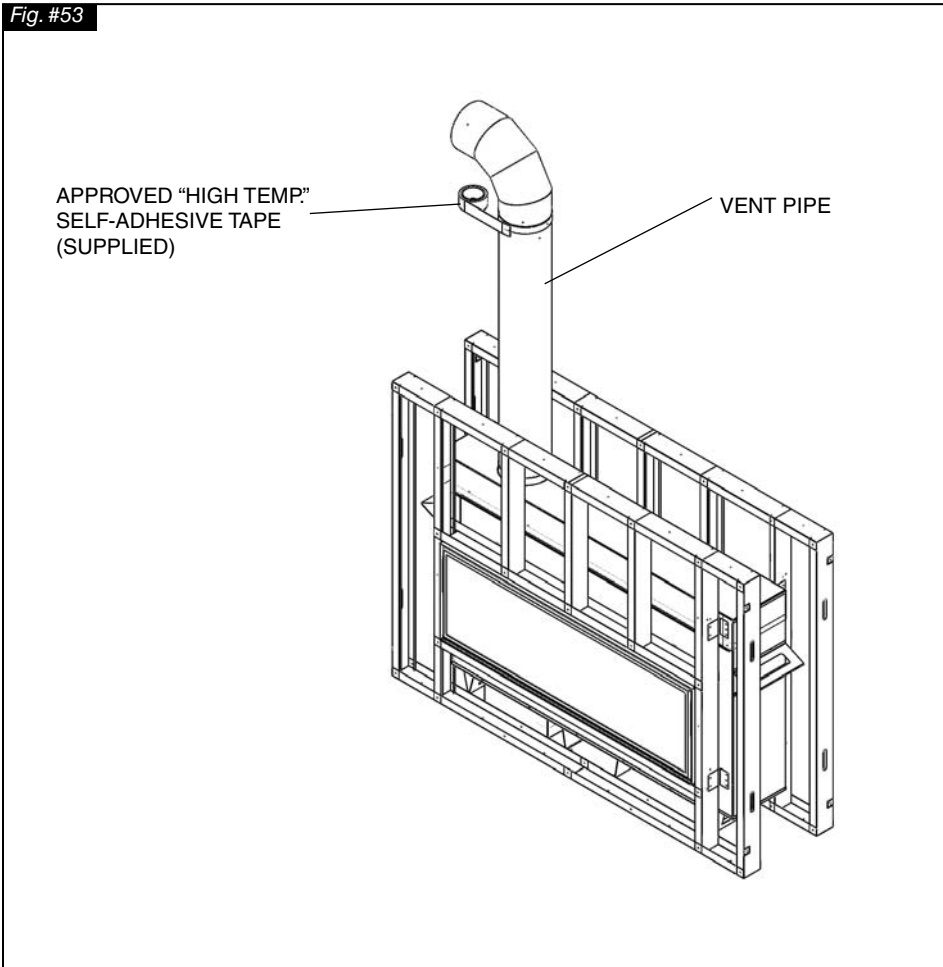
# Vertical (Through Roof) Venting

Fig. #52



# Vent Pipe Sealant

Fig. #53

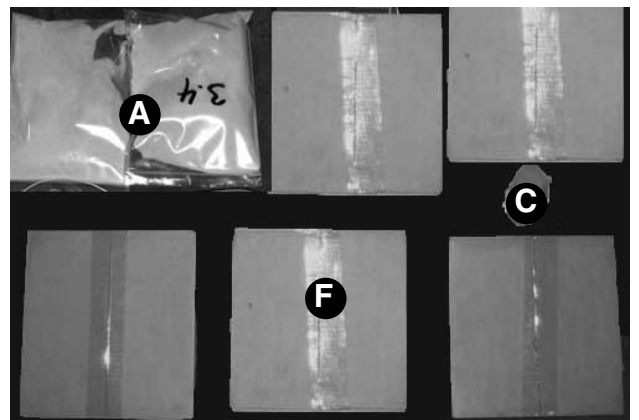
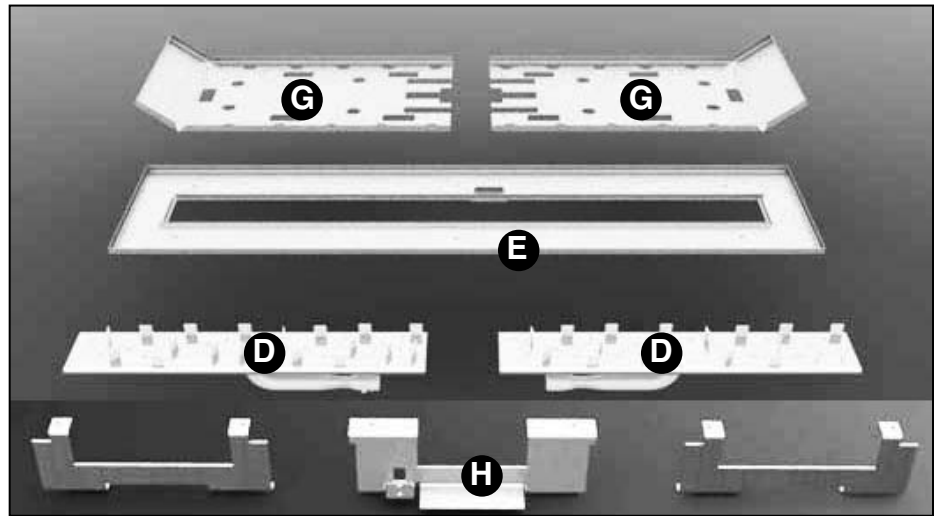


All outer joints of the vent pipe must be sealed with the approved "High Temperature" self-adhesive aluminium tape provided. Wrap the tape completely around the joint and press firmly in place.

Inner pipe does not need to be sealed.

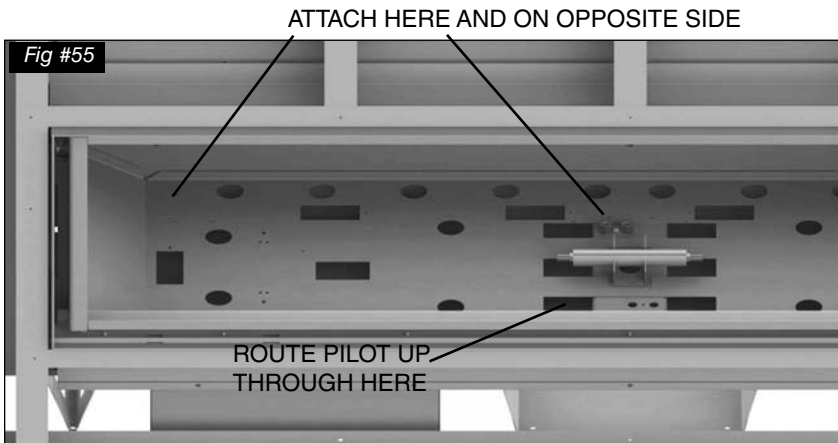
# Optional Tranquility Burner

## Contents of Package:



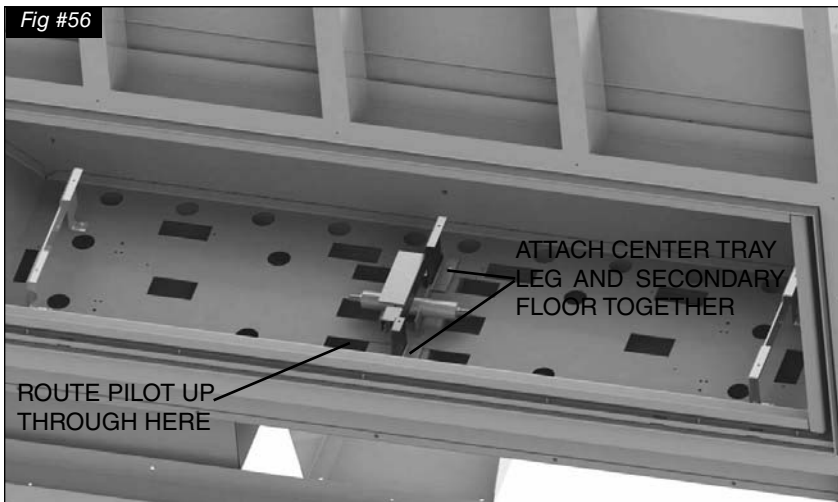
- A** 2 3.4 LBS SAND
- B** 1 HARDWARE PACK
- C** 1 PILOT ROCK
- D** 2 BURNER ASSEMBLIES
- E** 1 BURNER TRAY ASSEMBLY
- F** 5 PEBBLE SETS
- G** 2 SECONDARY FLOOR HALVES WITHOUT LIGHTS
- H** 3 TRAY LEGS

## Installation:

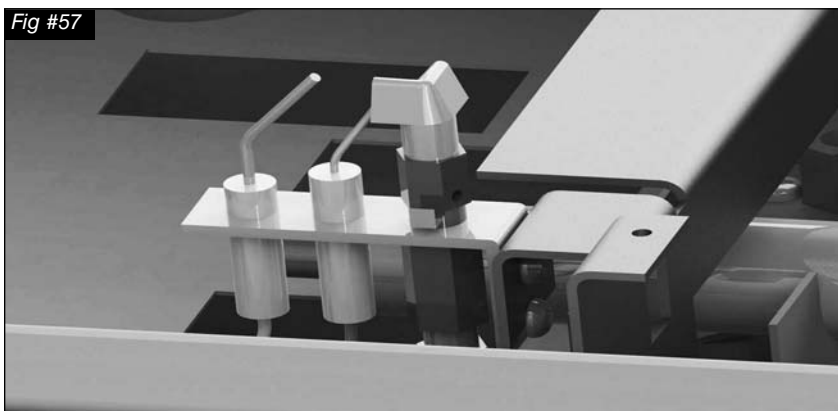


**If converting to propane see conversion instructions on page #41 before proceeding.**

1. Install one side of the secondary floor as shown. Repeat with the other side but do not put in the two center screws until you put the center tray leg in place (Fig. #55 & Fig. #56).



2. Attach tray legs as shown in Fig. #56. The center tray leg and the right side of the secondary floor are attached with the same screws to the center floor leg.

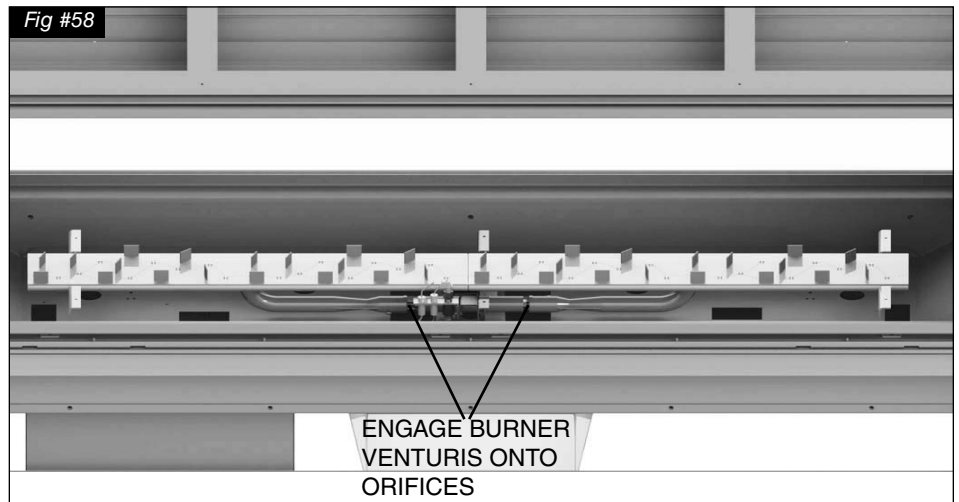


3. Attach pilot to center tray leg. (Fig. #57)

**NOTE: check air shutter for correct fuel setting before proceeding further. Both burners are the same. Fully closed for natural gas. 13/64 (0.2)" open for LP.**

4. Install burners as shown in Fig. #58. Be sure to engage the venturis onto the orifices in the manifold and rest burners together on the center tray leg.

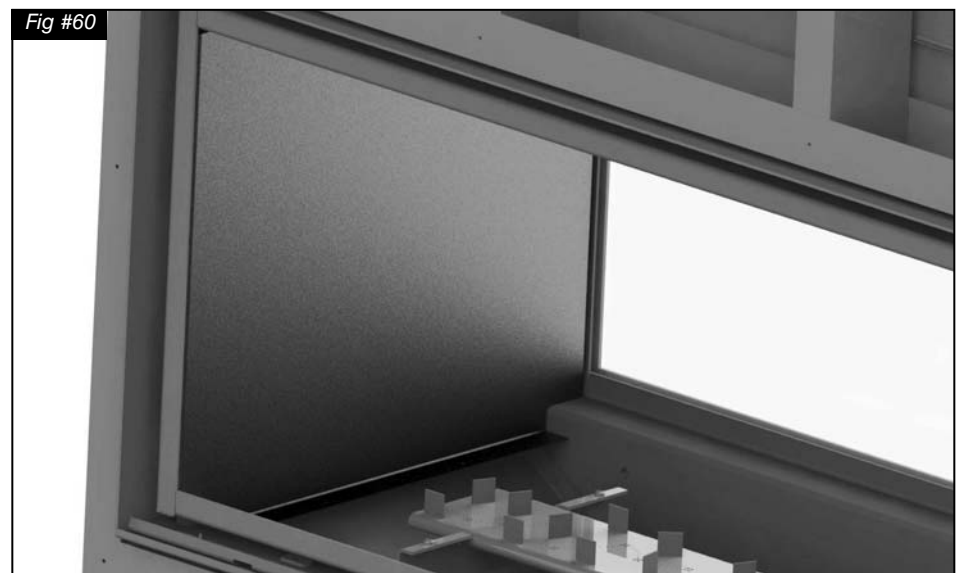
**TIP: A light will aid aligning the holes in the tray with the leg.**



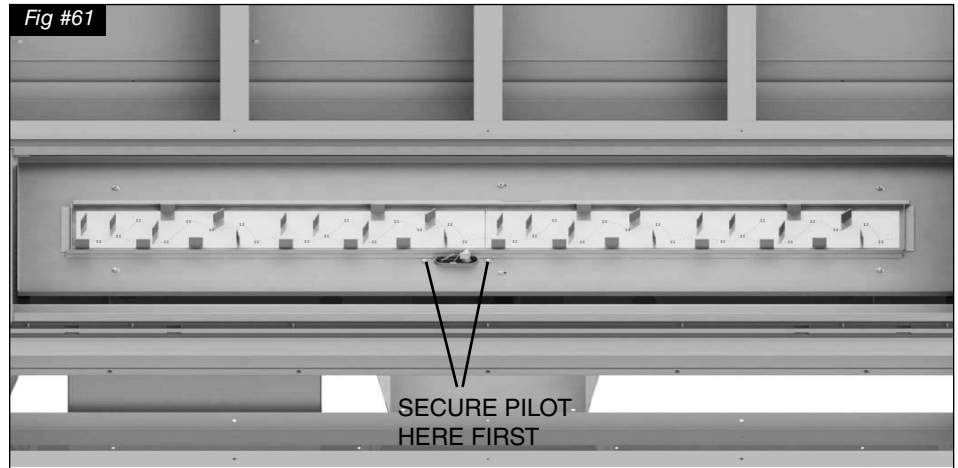
**CAUTION: The burners should be tightly butted up against each other at the center to ensure correct operation.**

5. Remove the panel retainer clips from inside the firebox and install the side panels. Replace the panel retainer clips (Fig. #59 & #60).

**NOTE: PROCEED TO AND FOLLOW INSTRUCTIONS IN "GAS PRESSURE CHECK" SECTION ON PAGE 48 BEFORE INSTALLING BURNER TRAY AND MEDIA.**



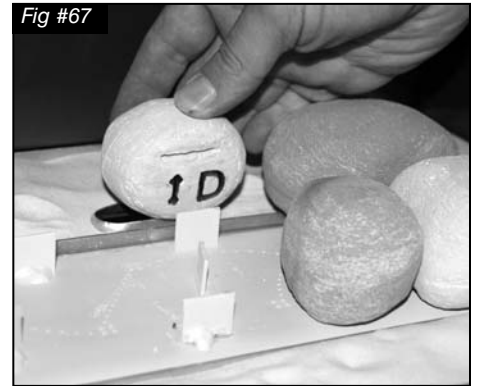
6. Install burner tray as shown in Fig. #61 using 8 screws. Secure tray around pilot first then the other 6 screws.



7. Place sand into the burner tray and brush smooth. Use caution not to get sand near the burner ports (Fig. #62).



8. Each rock has a slot in its base and is marked with a letter and an arrow. (Fig. #63)



9. Place each rock as per the following photographs, start from the right hand side of the burner and ensure that the arrow on each rock points towards the same side of the fireplace (Fig. #64 to 72).

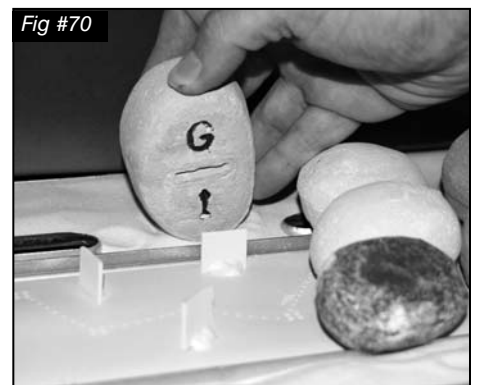
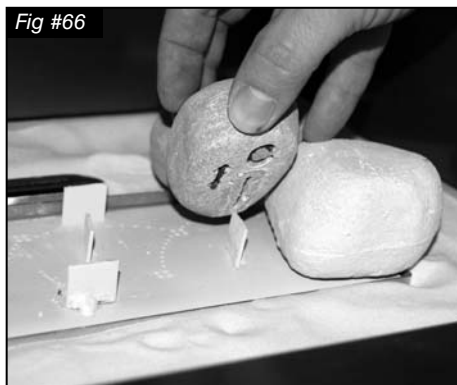
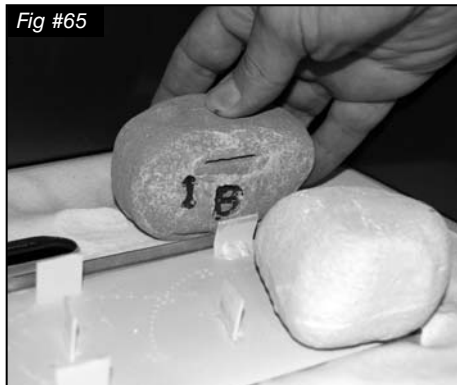
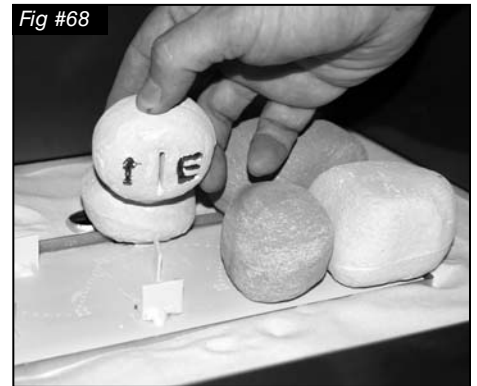
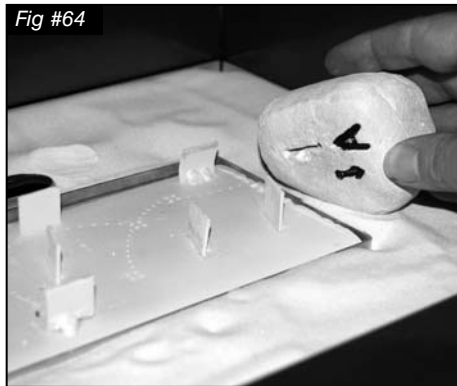


Fig #71



Fig #73



- 11. Place the fifth set of rocks randomly around the burners in the sand as desired.
- 12. Place the pilot rock over the pilot with the opening facing the center of the burner .

Fig #72

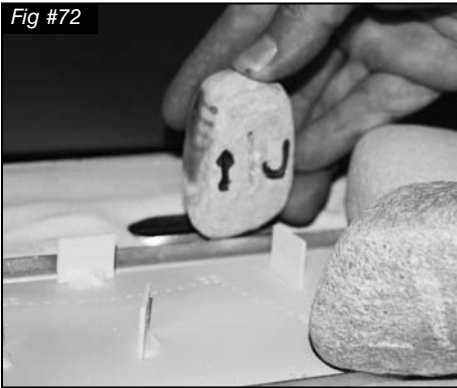


Fig #74



- 10. Repeat the sequence of placing the rocks three more times until the burner is covered.

Fig #75

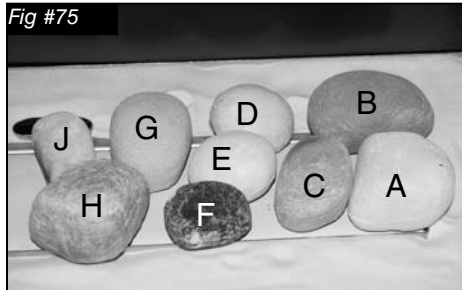
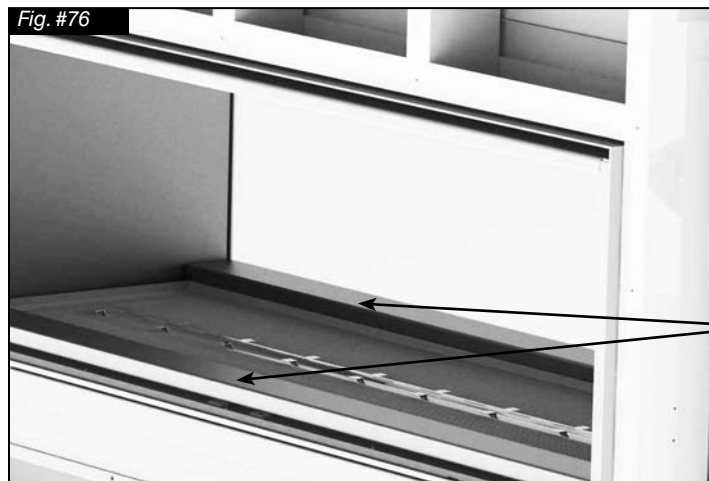
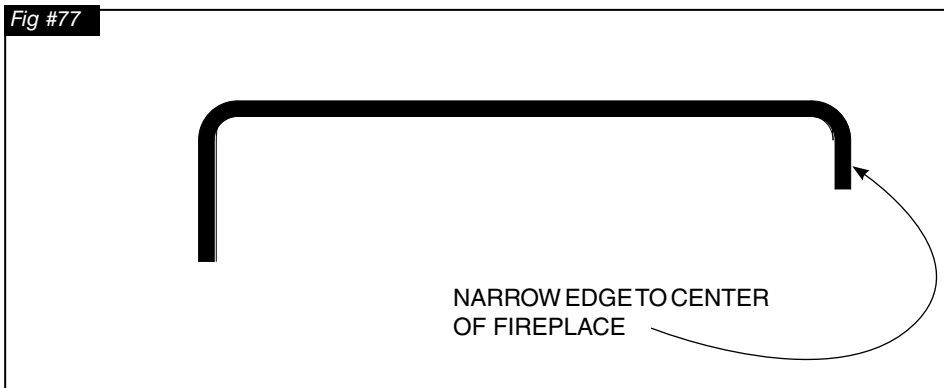


Fig. #76



PORCELAIN STRIPS

Fig #77



- 13. Install porcelain cover strips that are supplied with the panel set(narrow edge should face the center of the fireplace (Fig. #76 & 77).



# Propane Conversion

If the unit is to be used on propane convert as follows using the components supplied with the burner:

## CAUTION

The gas supply and electrical power shall be shut off before proceeding with the conversion.

### Note:

Factory supplied components must be used to ensure correct input. After conversion confirm proper manifold pressure.

## WARNING

This conversion kit shall be installed by a qualified service agency in accordance with the manufacturer's instructions and all applicable codes and requirements of the authority having jurisdiction.

If the information in these instructions is not followed exactly, a fire, explosion or production of carbon monoxide may result causing property damage, personal injury or loss of life.

The qualified service agency is responsible for the proper installation of this kit.

The installation is not proper and complete until the operation of the converted appliance is checked as specified in the manufacturer's instructions supplied with the kit.

Fig #78 PROPANE CONVERSION KIT

Kit # TCWS.54STLP for use with model: Pour utiliser avec du modèle: TCWS54ST	
Date:	
By / Par:	<b>PACIFIC ENERGY</b>
<b>LP GAS/ DU GAZ LP</b>	
12.5 in/wc / 12.5 po/c.e. (3.11 kPa)	
13.9 in/wc / 13.9 po/c.e. (3.45 kPa)	
11.0 in/wc / 11.0 po/c.e. (2.74 kPa)	
#51	
Max.: 61,000Btu (17.8kw)	This appliance was converted to PROPANE GAS with this kit on this date by the organization which accepts the responsibility that this conversion has been properly made. / Cet appareil est converti au gaz LP par l'emploi de la trousses de conversion par une organisation qui accepte la responsabilité pour une installation en bon état.
Min.: 39,000Btu (11.5kw)	
120412 6-W54ST 5052.52089	

CONVERSION LABEL (5052.52089)

MINIMUM RATE SCREW (5005.16)



MAIN BURNER (#51) ORIFICES (5022.94)

1. If installed remove the sand and rocks from the burners.
2. If installed remove the burner tray. (8 screws)(Fig. #79)
3. Remove burners by gently lifting up the end and disengaging from the orifice.
4. Using a 1/2" wrench, undo the natural gas burner orifice, (marked #32). Apply a small amount of pipe joint compound to the threads of the propane burner orifice (marked #51) to ensure a good seal, before screwing it into the manifold.

Loosen the primary air shutter screw, open shutter to give a gap of 13/64" (0.2") and re-tighten. Repeat on other burner. (Fig. #81)

5. With a 7/16" wrench loosen the pilot head on the pilot assembly. (Fig. #82)

Fig #79

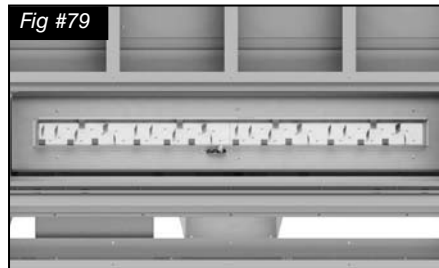


Fig #80

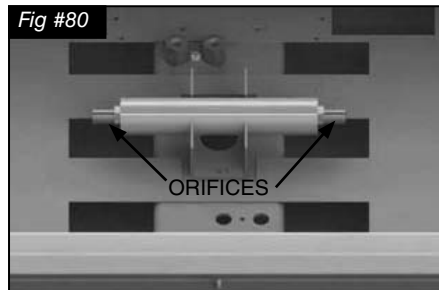
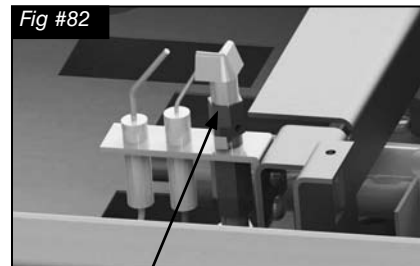


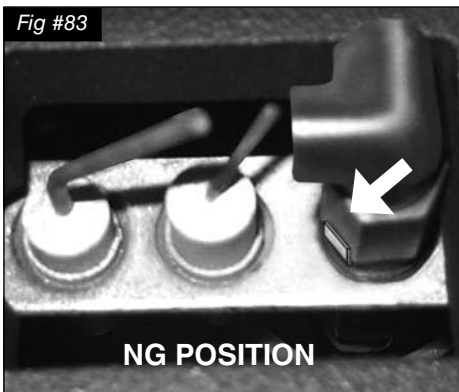
Fig #81



Fig #82



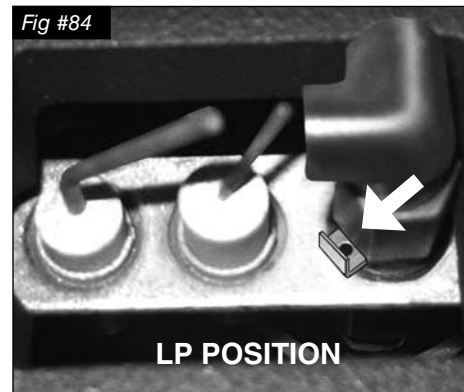
PILOT HEAD



- Slide the pilot adjustment band over and ensure that the hole in the orifice band is showing.

◀ Fig. #83 shows NG position

Fig. #84 shows LP position. ▶

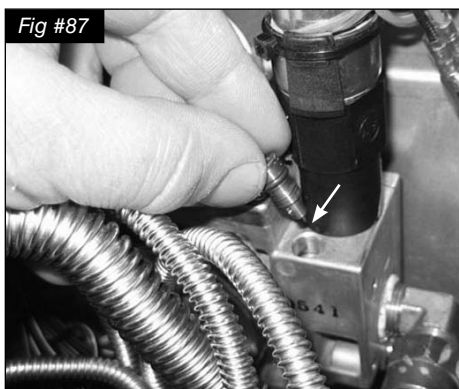


- Remove the secondary floor on the control compartment side and remove the access panel, 9 screws, and set aside.



- Remove the minimum rate screw located in the valve (Fig. #86).

The minimum rate screw is sealed with an O-ring. Use a thin bladed screwdriver to back the screw out past the limit of the threading. At this point a groove on the screw body will be visible just above the valve body. Insert a thin tool (knife blade or fine screwdriver blade) into the groove and gently pry the screw up. It helps to rotate the screw while lifting on it.

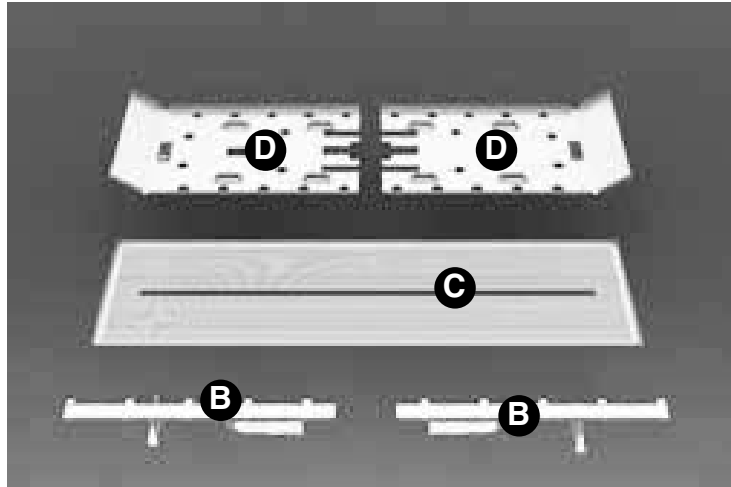


- Replace the minimum rate screw with the one provided in the propane conversion kit supplied with this fireplace. Ensure that the screw is fully seated (Fig. #87).



# Optional Twilight Diamond Burn-

## Contents of Package:



- A** 1 HARDWARE PACK
- B** 2 BURNER ASSEMBLIES
- C** 1 BURNER TRAY ASSEMBLY
- D** 2 SECONDARY FLOOR HALVES WITH LIGHTS

## Installation:

**If converting to propane see conversion instructions on page #41 before proceeding.**

1. Install the secondary floor on the side away from the gas connections first.
2. Insert the wires leading from the secondary floor half through one of the grommets in the bulkhead plate.
3. On the bulkhead side, tilt the floor approximately 45 degrees and insert the wires from the floor through the rubber grommet in the bulkhead plate (Fig. #91).
4. Insert the pilot up through the pilot hole then lower and secure the secondary floor half in place (Fig. #91).
5. Place the first burner as shown in (Fig.#92). Be sure to engage the venturi fully onto the orifice. Secure with single screw in burner support leg. Repeat with other burner.

**NOTE: Check air shutter for correct fuel setting before proceeding further. Both burner shutters are to be set the same, fully closed for natural gas. 13/64 (0.2)" open for LP.**

**CAUTION: The burners should be tightly butted up against each other at the center to ensure correct operation.**

6. Attach the pilot to the burner support leg as shown in Fig. #93.

Fig #91

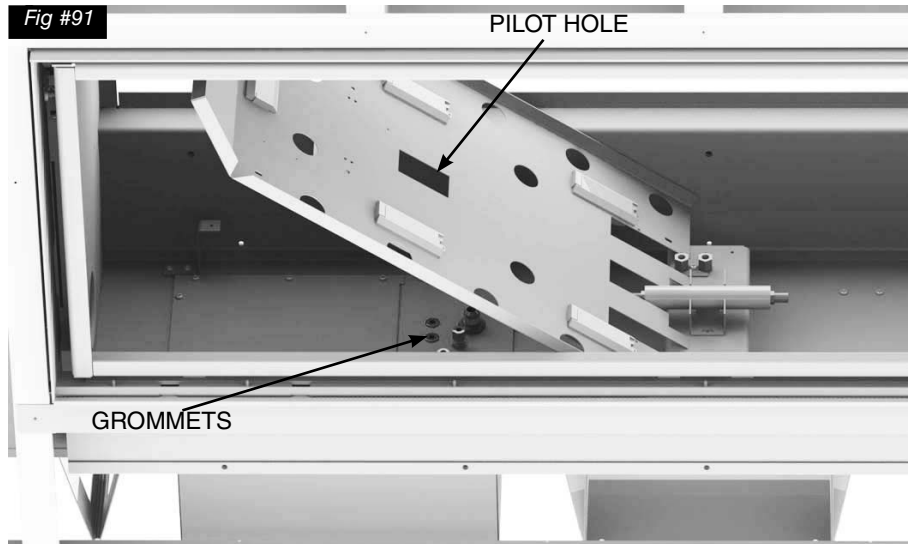


Fig #92

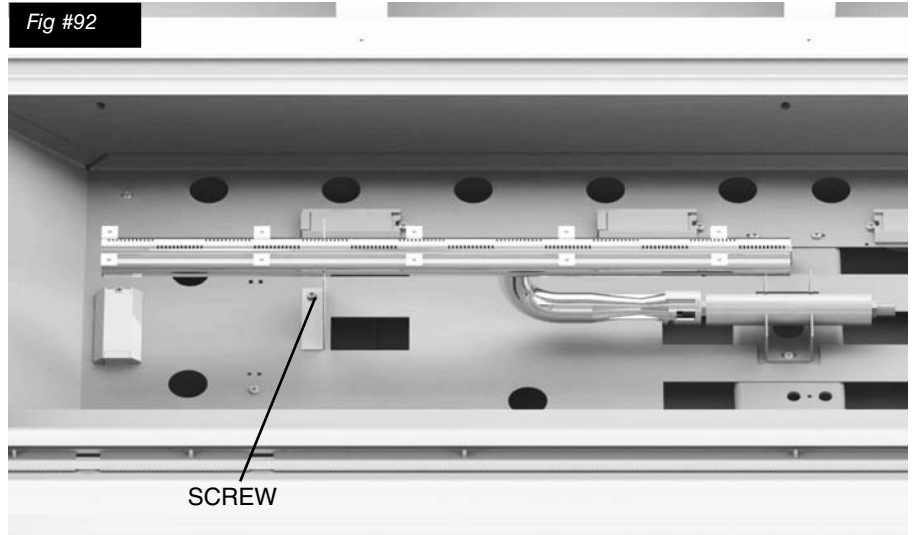
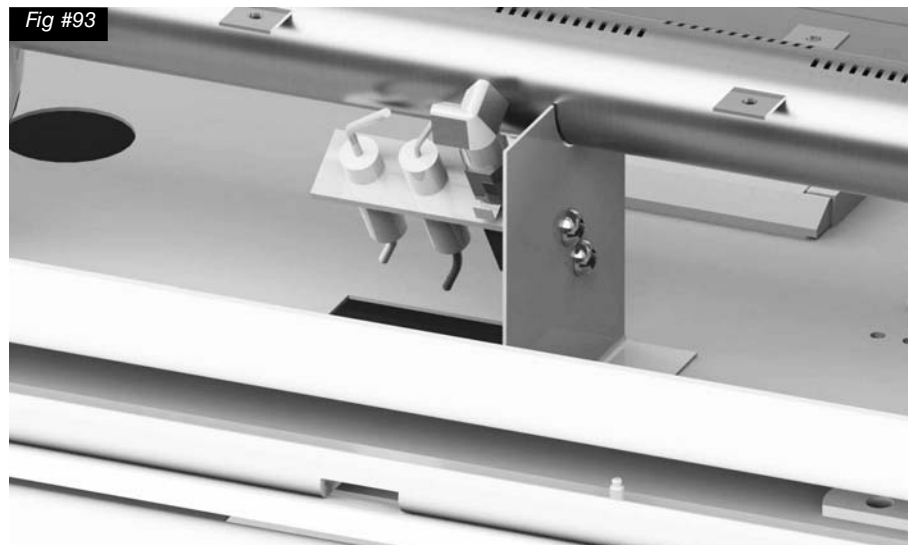


Fig #93



- Remove the panel retainer clips from both sides of the upper firebox(Fig. #94).

Fig #94



- Insert both side panels. (Fig. #95)

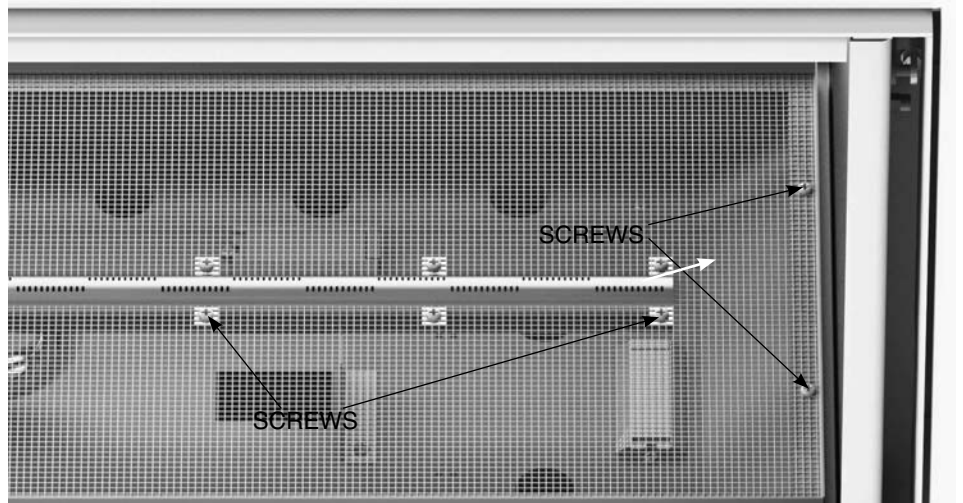
Fig #95



**NOTE: PROCEED TO AND FOLLOW INSTRUCTIONS IN "GAS PRESSURE CHECK" SECTION ON PAGE 548 BEFORE INSTALLING BURNER TRAY AND MEDIA.**

- Place mesh burner tray on top of burners and secure the tray ends to the panels first. Two screws per side. (Fig. #96)

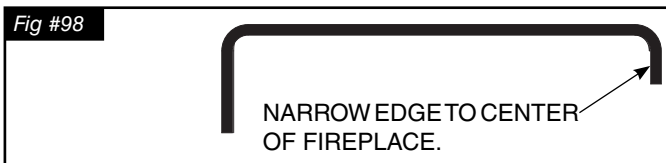
Fig #96



- Secure the mesh to the burners with screws provided by screwing through mesh to each small flange on the burners, 8 per burner(Fig. #96).

11. Place the two porcelain strips, supplied with the panel set, into the fireplace as shown in Fig. #97 with the narrow edge facing the center of the fireplace.

12. Spread the glass media evenly over the entire mesh tray, leaving the small protrusion above the pilot clear of glass.

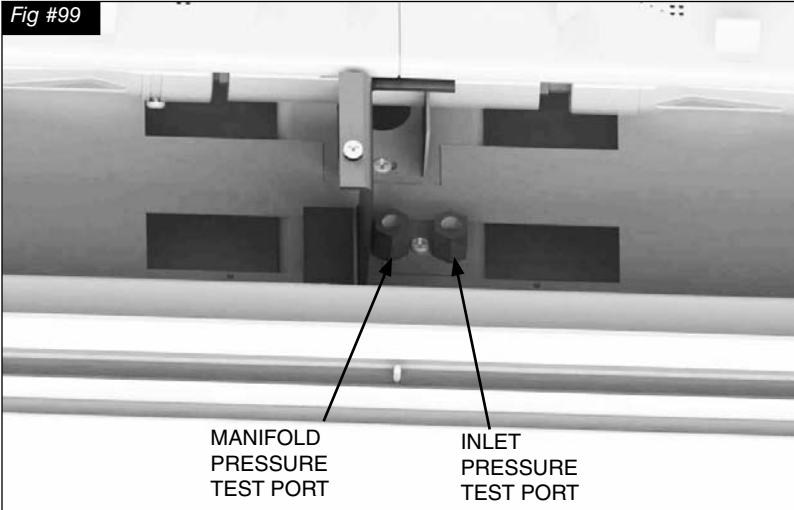


# Gas Pressure Check

**Note:** To test the gas pressure, turn off the gas supply before removing the plug from the supply pressure test port or manifold pressure test port.

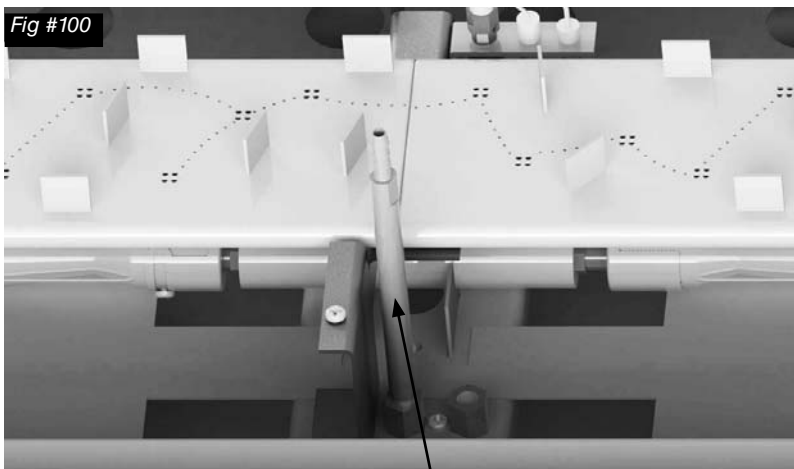
Verify gas pressures with the fireplace lit and on the highest setting.

Fig #99



1. If installed, remove all media and the burner tray.
2. Remove the plug from the pressure test port using a 3/16" hex key. The pressure test ports are located next to the center tray leg opposite from the pilot. (Fig. #99)

Fig #100



3. Thread the extension test fitting into the open port.(Fig. #100)
4. Attach a pressure gauge onto the fitting and rest the gauge on secondary floor where it will be visible with the doors closed and unit running.
5. When testing is complete shut off the gas, remove the fitting and replace the plug. Thread sealant will be required to ensure a gas tight connection.

## Correct gas pressure requirement:

Supply Pressure	Natural Gas	Propane	BTU
<b>Min. Pressure</b> <small>(For purpose of input adjustment)</small>	5.0" WC	12.5" WC	
<b>Max. Pressure</b>	13.9" WC	13.9" WC	
<b>Manifold Pressure</b>			
<b>Maximum</b>	3.5" WC	11" WC	61,000 (17.8kw)
<b>Minimum</b>	2.1" WC	5.5" WC	39,000 (11.5kw)
<b>115VAC 60Hz 8.5A</b>			



## Burner Flame Adjustment

The air shutter on the burner tube controls the primary combustion air. It is set to the closed position at the factory for natural gas fuel. For LP see Pg.44. Some adjustment may be necessary to obtain desired flame and to eliminate carbon deposits. Evaluate flame appearance after the fireplace has reached operating temperature. See Fig. #101 for proper flame pattern.

Open primary air if the window glass and firebox have carbon accumulation and/or the flames are long, dark and stringy. The shutter may also be opened to lessen the flame height.

Fig #101



**NOTE:**  
Proper air shutter setting is required.

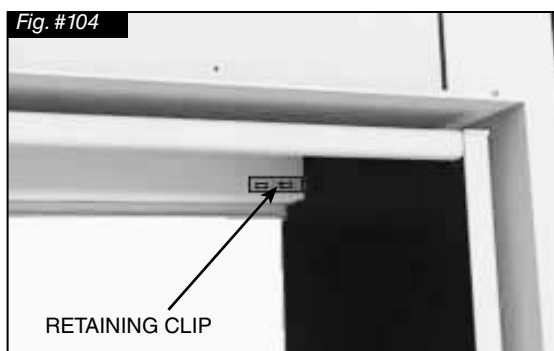
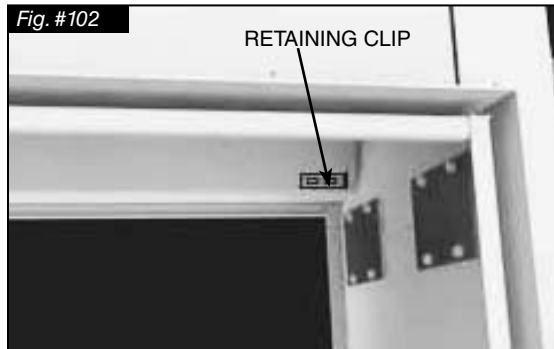
The flame should be just orange and “lazy”. It should NEVER be set to create sooting on internal parts and window glass.

# Firebox Panels Installation

1. Remove side panel securing tabs for both sides in upper firebox. (Fig. #102)
2. Place bottom of side panel in first then tip up into vertical position (Fig. #103).
3. Attach the side panel securing tabs previously removed. Repeat steps 2 & 3 with other side panel.(Fig. #104)
4. Place porcelain strips as shown in (Fig. #105).

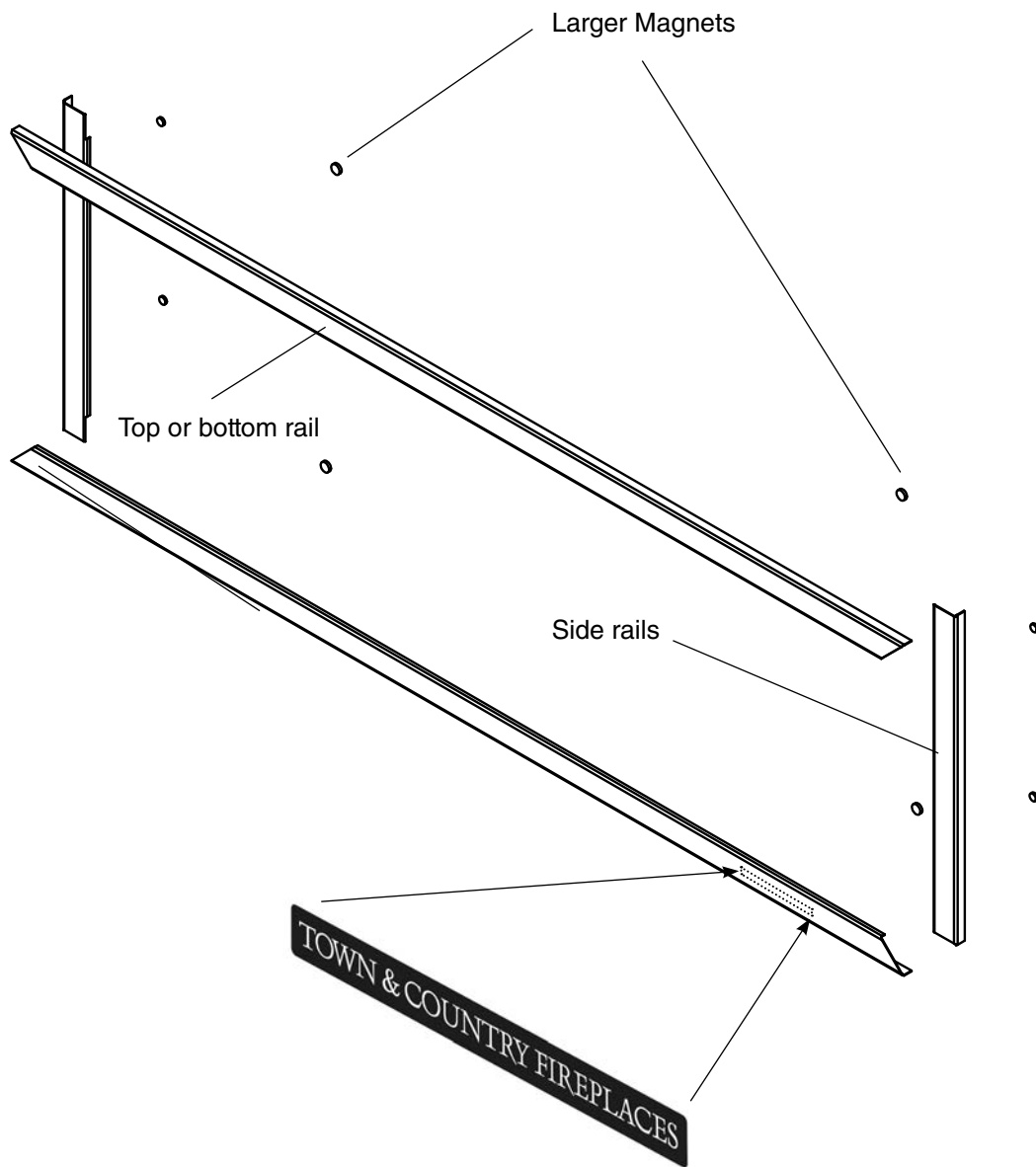
**NOTE: Install burner now.**

**NOTE: The Porcelain strips, that came with your panel set, have a short flange on one long edge. This short flange should face in towards the burners and media.**



# Finishing Touch Trim Kit Instructions

1. Place two smaller magnets on back of each side rail.
2. Place two larger magnets on back of the top and bottom rails.
3. Attach the side rails. Even the ends up with the door frame.
4. Attach the top and bottom rails and adjust so mitres are even at the corners.
5. Place TC magnetic logo in bottom right corner.



# Lighting Instructions

## FOR YOUR SAFETY READ BEFORE LIGHTING

**WARNING:** If you do not follow these instructions exactly, a fire or explosion may result causing property damage, personal injury or loss of life.

- A. This appliance is equipped with an ignition device which automatically lights the pilot. Do not try to light the pilot by hand.
- B. **BEFORE LIGHTING** smell all around the appliance area for gas. Be sure to smell next to the floor because some gas is heavier than air and will settle on the floor.  
**WHAT TO DO IF YOU SMELL GAS:**
  - Do not try to light any appliance.
  - Do not touch any electric switch; do not use any phone in your building.

- Immediately call your gas supplier from a neighbour's phone. Follow the gas supplier's instructions.
- If you cannot reach your gas supplier, call the fire department.
- C. Use only your hand to push in or turn the gas control knob. Never use tools. If the knob will not push in or turn by hand, don't try to repair it, call a qualified service technician. Force or attempted repair may result in a fire or explosion.
- D. Do not use this appliance if any part has been under water. Immediately call a qualified service technician to inspect the appliance & to replace any part of the control system & any gas control which has been under water.

## LIGHTING INSTRUCTIONS

1. STOP! Read the safety information above on this label.
2. Set wall switch/ hand held remote to lowest setting.
3. This appliance is equipped with an ignition device which automatically lights the pilot. Do not try to light the pilot by hand.
4. Push the "On/ Off" switch to the fireplace Off.
5. Allow sufficient length of time (minimum 5 minutes) for any gas in the combustion chamber to escape. If you still smell gas, STOP! Follow "B" in the safety information above on this label. If you don't smell gas, go to the next step.
6. Push the "On/ Off" switch to turn the fireplace ON.
  - If the burner does not light, repeat steps 4 through 6.
  - If the burner will not light or stay lit after several tries, push the "On/ Off" switch to the fireplace OFF, set the thermostat to the lowest setting, turn off all electric power to the fireplace and call your service technician or gas supplier. Note: Sufficient time must be allowed for air to escape from lines if the unit is being lit for the first time.
7. Set fireplace to desired setting by using either the wall switch or hand held remote.

## TO TURN OFF GAS TO APPLIANCE

1. Set wall switch / hand held remote to lowest setting.
2. Push the "on/ off" switch to the "Off" position.
3. Turn off all electric power to the appliance and remove backup batteries if service is to be performed or for extended shutdown.

Due to high surface temperatures, keep children, clothing and furniture away. Keep burner and control compartment clean. See installation and operating instructions accompanying the appliance.  
A cause de la temperature elevee des parois, tenir eloignes les enfants, les vetements et les meubles. Maintenir propres le bruleur et le compartiment de commande. Voir les instructions relatives a l'installation et au fonctionnement qui accompagnent l'appareil.

**CAUTION:** Hot while in operation. Do not touch. Severe burns may result. Keep children, clothing, furniture, gasoline and other liquids having flammable vapours away. Keep burner and control compartment clean. See installation and operating instructions accompanying the appliance.

**ATTENTION:** L'appareil est chaud lorsqu'il fonctionne. Ne pas toucher l'appareil. Risque de brûlures graves. Surveiller les enfants. Garder les vêtements, le meubles, l'essence ou autres liquides produisant des vapeurs inflammables loin de l'appareil. S'assurer que le brûleur et le compartiment des commandes sont propres. Voir les instructions d'installation et d'utilisation qui accompagnent l'appareil.

180612

5051.175

5-TCWS54ST

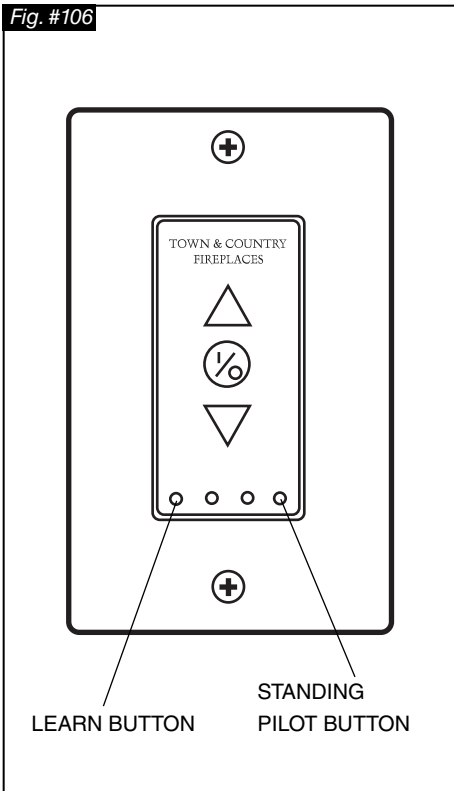
## First Fire

When lit for the first time, the fireplace will emit a slight odour for a couple of hours. This is due to the curing of paints, sealants and lubricants used in the manufacturing process. This condition is temporary. Open doors and windows to ventilate area. Odour caused by the curing process may cause discomfort to some individuals.

It is normal for fireplaces fabricated of steel to give off some expansion and/or contraction noises during the start up or cool down cycle. Similar noises are found with your furnace heat exchanger or cook stove oven.

# Maestro Control System Remote Control Initial Setup

Fig. #106



This fireplace is supplied with a wall control and hand held remote control.

**Please note only genuine Town & Country Fireplace wall controls and hand held remote controls can be used on this fireplace.**

1. Initial set up of the hand held remote is required. A "learn" button is located on the lower left hand side of the wall switch. This should be depressed with a paperclip, pencil or other thin object. (Fig. #106)
2. Once this has been pressed, press the center button on the hand held remote. (Fig. #107) The fireplace will then turn on.
3. Turn off the fireplace by pressing the center button again. The handset is now synchronized with the fireplace.

## Initial Settings

(Time and temperature)

1. Press and hold the A1 and A2 buttons at the same time until the temperature symbol flashes. (Fig. #108)
2. Use the up and down arrows to set preferred temperature units. (°F or °C)
3. Press OK and the "hour" value will start to flash.
4. Use the up and down arrows to set the "hour" value.
5. Press OK and the "minute" value will flash.
6. Use the up and down arrows to set the "minute" value.
7. Press OK and the "day" value will flash.
8. Use the up and down arrows to set the "day" value
9. Press OK to end initial set up.

Fig. #107

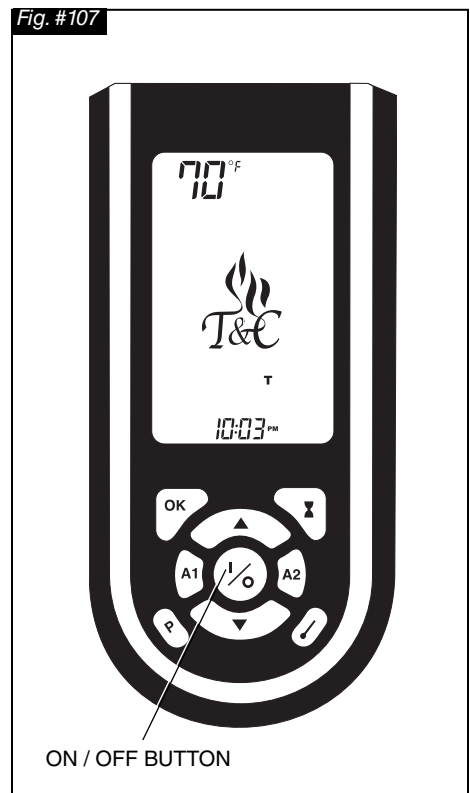
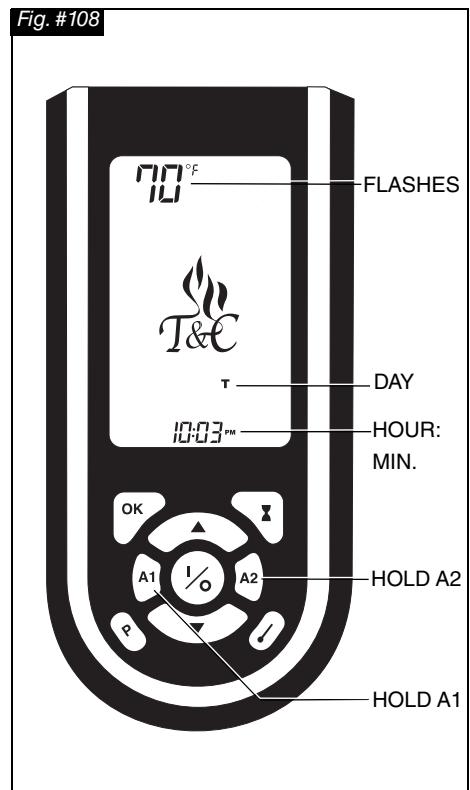


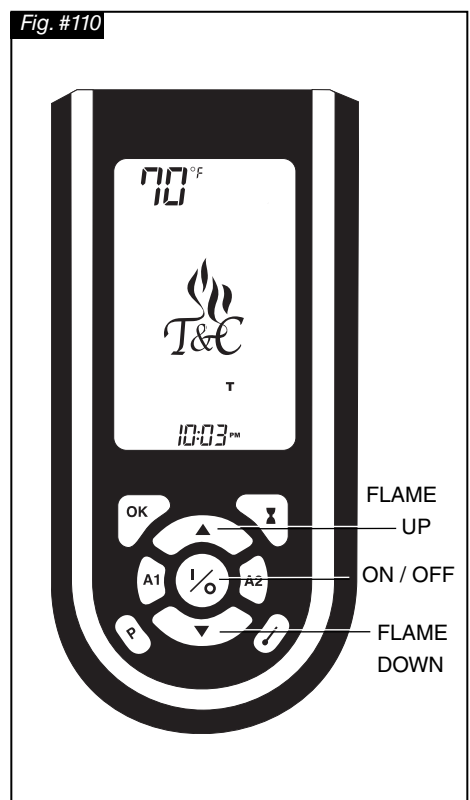
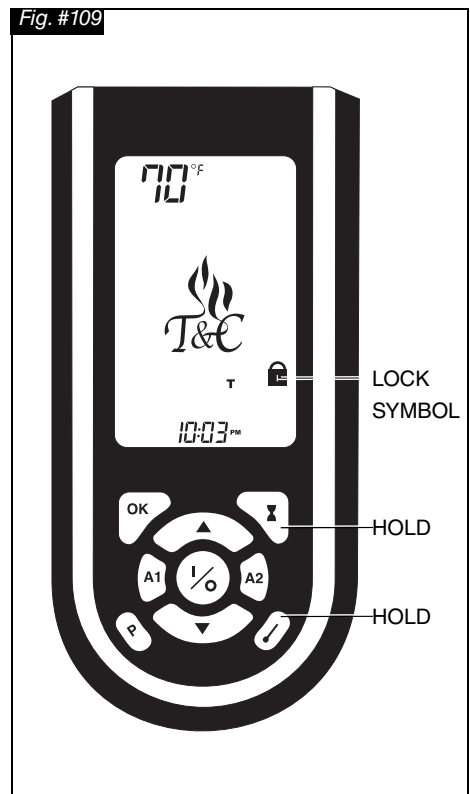
Fig. #108



## Childproof Lock

An additional feature of this remote control is the childproof lock. To activate this system press and hold the timer and thermostat buttons for approx. 5 seconds until the "lock" symbol appears on the remote display. (Fig. #109) The remote control hand set buttons are now locked and the lock symbol will reappear every time a button is pressed on the remote control until the timer and thermostat buttons are pressed and held again.

Note: The fireplace can still be operated normally using the wall control even with the remote control buttons locked.



## Maestro Control System - Operation

Each Town & Country Maestro Control system comes equipped with a manual mode on the wall control and hand held remote, and three programmable modes accessible with the hand remote.

### Manual Mode

(On remote and wall control)

Basic operation of the fireplace can be performed with the wall control or remote hand set. (ON / OFF, as well as flame modulation UP/ DOWN).

The center button on the remote control can be used to turn the fireplace ON and OFF. With the fireplace off, press the center button to turn it on. (The "MAN" and flame icons will be displayed on the screen) A second push will turn it off. (The "MAN" and flame icons will disappear from the screen)

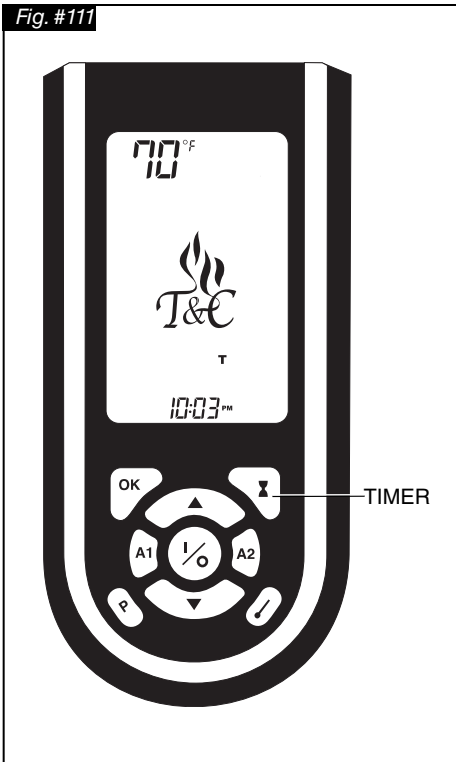
When the fireplace is on, the up and down buttons located above and below the center button are used to modulate the flame height. (Fig. #110)

### Countdown Timer Mode

(Operates the fireplace for a preset length of time)

1. Press the timer button and the time will flash on the lower center of the display. (Fig. #111)
2. When display is flashing, use the up and down arrows to set the length of time you would like the fireplace to run. (The range is 10 minutes minimum to 180 minutes maximum). (Fig. #112)
3. Press the OK button and the timer is set and the control is in countdown timer mode.
4. To exit the timer mode press the Program, Manual or Thermostat button. Please note that the first press of the Manual button will turn the fireplace off.

Fig. #111



## Program Mode

(To preset up to two on and off periods per day)

The program mode has two settings for weekdays and two for weekends. The hand held remote comes with the following pre programmed settings:

### Weekday Program

(Monday through Friday)

Program one (P1) turns ON at 7:00am and turns OFF at 8:00am

Program two (P2) turns ON at 5:00pm and turns OFF at 7:00pm

### Weekend Program

(Saturday and Sunday)

Program one (P1) turns ON at 9:00am and turns OFF at 10:00am

Program two (P2) turns ON at 6:00pm and turns OFF at 9:00pm

Activate the programs by pressing the program button on the lower left hand side of the remote hand set. (Fig. #113)

To customize these settings:

1. Hold the program button down until the display flashes. (P1, weekday ON time - [Fig. #114])
2. Use the up and down buttons to change the time to the desired ON time.
3. By pressing the OK button, the P1 weekday OFF time will flash. (Fig. #114)
4. Use the up and down buttons to set the desired OFF time.
5. Press the OK button and the P2 weekday ON time will flash.
6. Repeat the process to set the P2 weekday, P1 weekend and P2 weekend programs.
7. When the P2 OFF time is set and the OK button is pressed the display will stop flashing and the remote will be in program mode.

Fig. #113



Fig. #112

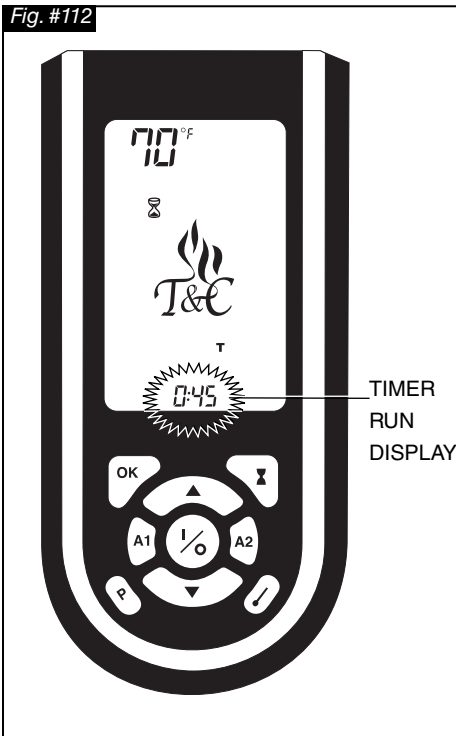
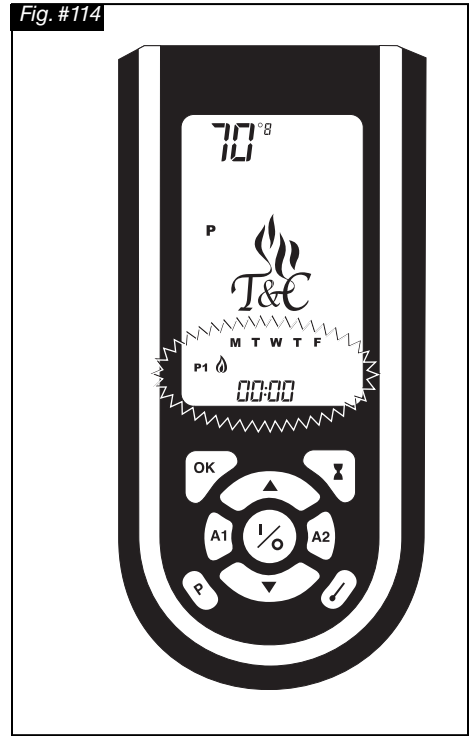


Fig. #114

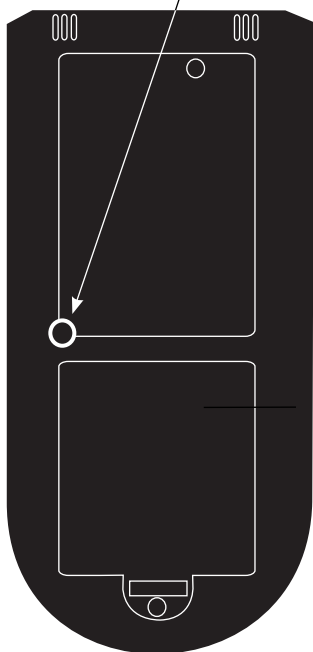


The program settings are now stored in the remote handset and will not change unless the above process is repeated or the batteries are removed from the handset.

To switch out of program mode, simply press one of the manual, timer or thermostat mode buttons. Please note that if the manual button is pressed it will turn the fireplace off.

Fig. #115

THERMOSTATIC MODE  
BUTTON



## Thermostatic Mode (Only for use where permitted)

(Operates the fireplace within a set temperature range)

The fireplace is shipped with thermostatic mode function deactivated. If this function is permitted for use in your area it can be activated by depressing the recessed button on the **back of the hand held remote**. (Fig. #115) Once activated the thermostat symbol (Fig. #116) will be displayed when the thermostat button is pressed

To activate a set point temperature:

1. Press the thermostat button to activate the thermostat mode. The temperature and thermostat symbols will appear.
2. Press and hold the thermostat button on the lower right hand side of the hand held remote for 5 seconds. (Fig. #117) The temperature icon on the display will flash. (Fig. #118)
3. While the temperature icon is flashing use the up and down arrows to set the temperature to the desired setting.
4. Once the desired setting is reached, press the OK button. If the OK button is not pressed the icon will continue to flash for 5 seconds and then set itself to the temperature displayed.
5. The fireplace is now in thermostatic mode. To exit the thermostatic mode press the program, manual or timer buttons. Please note that the first press of the manual button will turn the fireplace off.

Fig. #117

THERMOSTATIC BUTTON

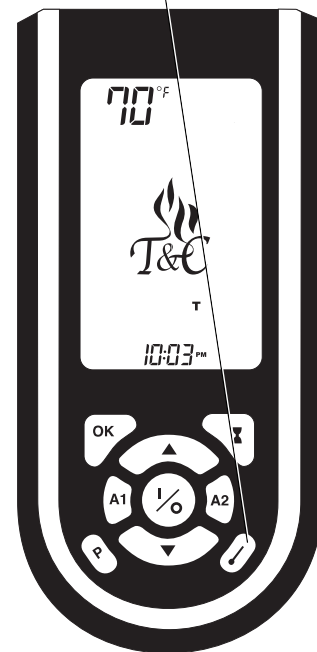


Fig. #116

THERMOSTAT SYMBOL



Fig. #118

TEMPERATURE SETTING





## Maintenance

### CAUTION:

Turn off gas and electrical power supply (if applicable) and allow ample time for unit to cool before servicing appliance. It is recommended that the fireplace and its venting should be inspected at least once a year by a qualified service person.

### Glass Panel:

**Warning:** Do not operate fireplace with glass panel removed, cracked or broken. Replacement of the glass panel should be done by a licensed or qualified service person.

Do not strike or otherwise impact the glass in anyway that may cause it to break. If the glass becomes cracked or broken it must be replaced before using the fireplace. Replacement glass can be obtained from your nearest Town & Country Fireplaces™ dealer. The size required is 52" x 16" x 5mm. Use ceramic glass only. **Do not substitute with any other type.**

To remove broken glass, remove window frame as noted in "Window Frame Removal" section.

Unclip the Glass Retainer Clips located at the top and sides of the Window Frame. Pull the top edge of the glass out of the frame first, then lift it up and out of the bottom edge.

Install the new piece of glass with the gasket into the frame so that the thicker bead of gasket faces the fireplace.

Re-install glass retaining clips.

### Annual Inspection:

- a) Remove glass panel and pebble assemblies if applicable. Inspect pebble and burner assemblies for soot buildup. If excessive buildup of soot is present, have a qualified service person inspect and adjust unit for proper combustion. Clean burners with a brush or vacuum cleaner, paying close attention to burner ports.
- b) Check the pilot system for proper flame size and operation. Clean pilot free of soot, dust or any other deposits. (See Fig. #119)
- c) Check that the vent pipe and vent terminal are open and free from blockage or debris. If the venting is disassembled for cleaning, it must be properly assembled and re-sealed. Refer to VENTING section for proper procedure.
- d) Check glass panel gasket, replace if necessary. It is important that the glass seal be maintained in good condition.
- e) Check and replace batteries as needed.

**Note:** The appliance area must be kept clear and free from combustible materials, gasoline and other flammable vapours and liquids.

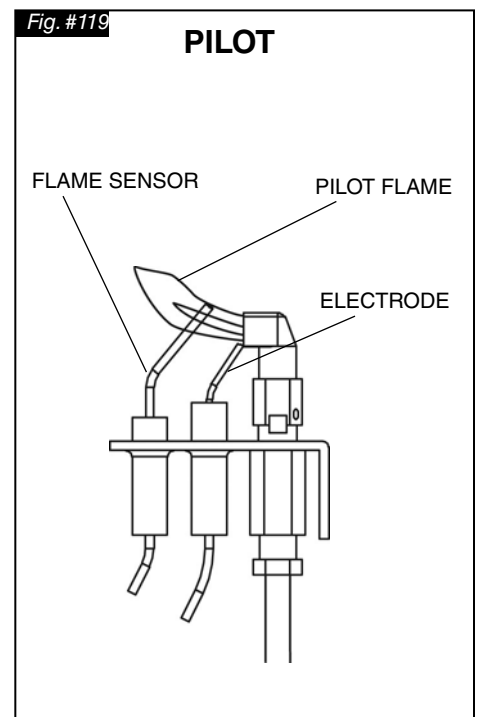
### Periodically:

- a) Viewing glass may be cleaned as necessary with fireplace glass cleaner.
- b) Exterior finish may be cleaned with mild soap and water.

### CAUTION:

Do not use abrasive cleaners on glass or any other part of the fireplace.

Do not clean glass when hot.

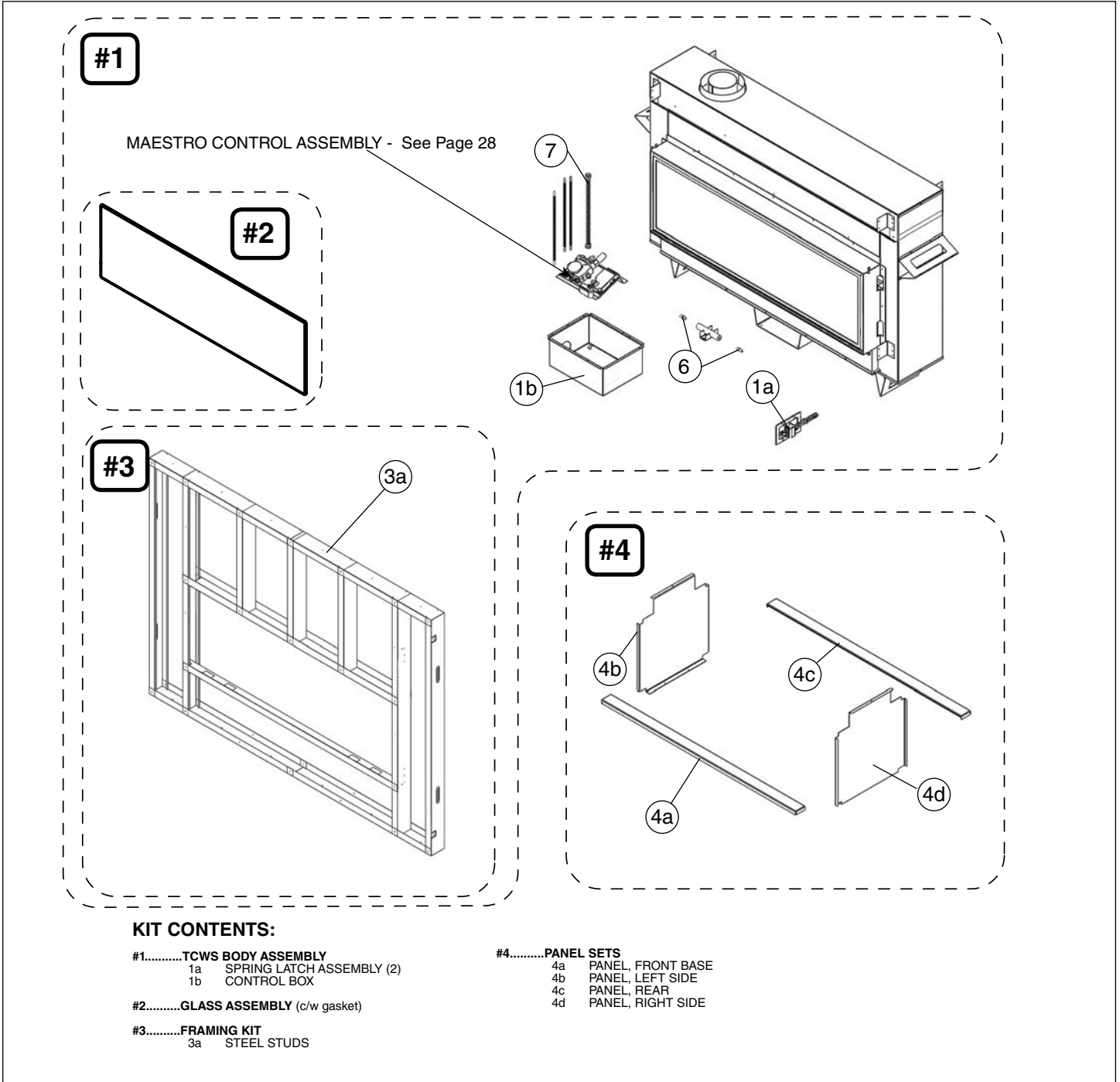


# Replacement Parts - TCWS.54CSTE

(WHEN ORDERING, INCLUDE PART NUMBER WITH DESCRIPTION)

ITEM	DESCRIPTION	PART NO.	ITEM	DESCRIPTION	PART NO.
#1	TCWS BODY ASSEMBLY .....	TCWS.54CSTE	*#5	FINISHING TOUCH TRIM KIT.....	TCRP.54WSTRIMKIT
#2	GLASS ASSEMBLY (c/w gasket) .....	GLAS.2062ASSY	#6	ORIFICE (2pcs) .....	5021.332A
#3	FRAMING KIT.....	TCWS.54STFRKIT	#7	MAIN GAS SUPPLY TUBE (1pcs) .....	5019.223
#4	PANEL SETS				
	BLACK PORCELAIN.....	TCPN.54STBK			
	BROWN PORCELAIN.....	TCPN.54STCB			
	COPPER PORCELAIN.....	TCPN.54STCU			
	TITANIUM PORCELAIN.....	TCPN.54STTI			

\*NOT SHOWN

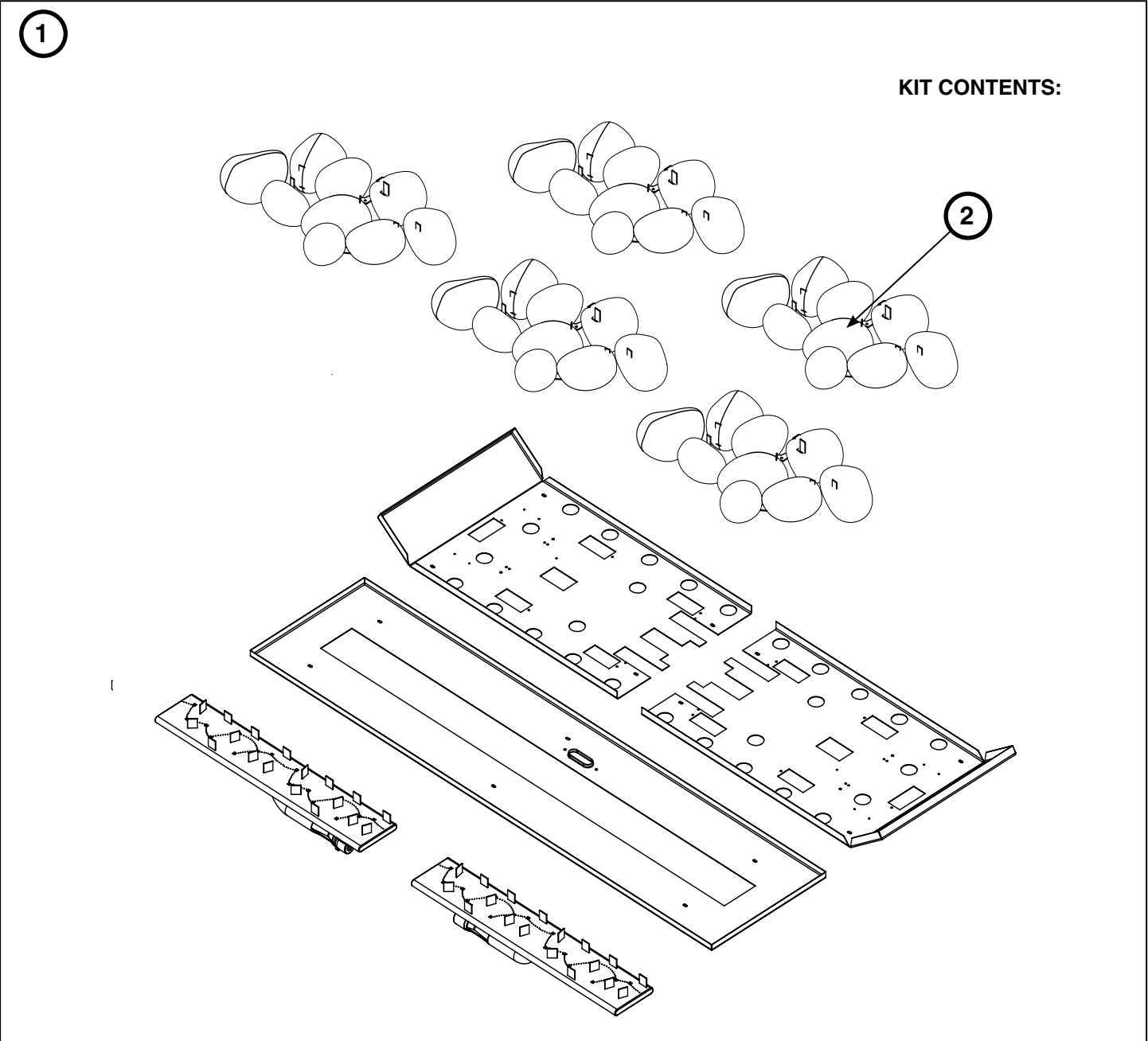


# Replacement Parts - Tranquility Burner

(WHEN ORDERING, INCLUDE PART NUMBER WITH DESCRIPTION)

ITEM	DESCRIPTION	PART NO.
#1	TRANQUILITY BURNER KIT	TCWS.54NGST04C
#2	PEBBLE ASSEMBLY(5 boxes)	5096.921
* #3	SAND (Two Bags)	TC42.SAND34
* #4	PILOT ROCK, BLACK	8421-A
	PILOT ROCK, GREY	8422-A

\* NOT SHOWN

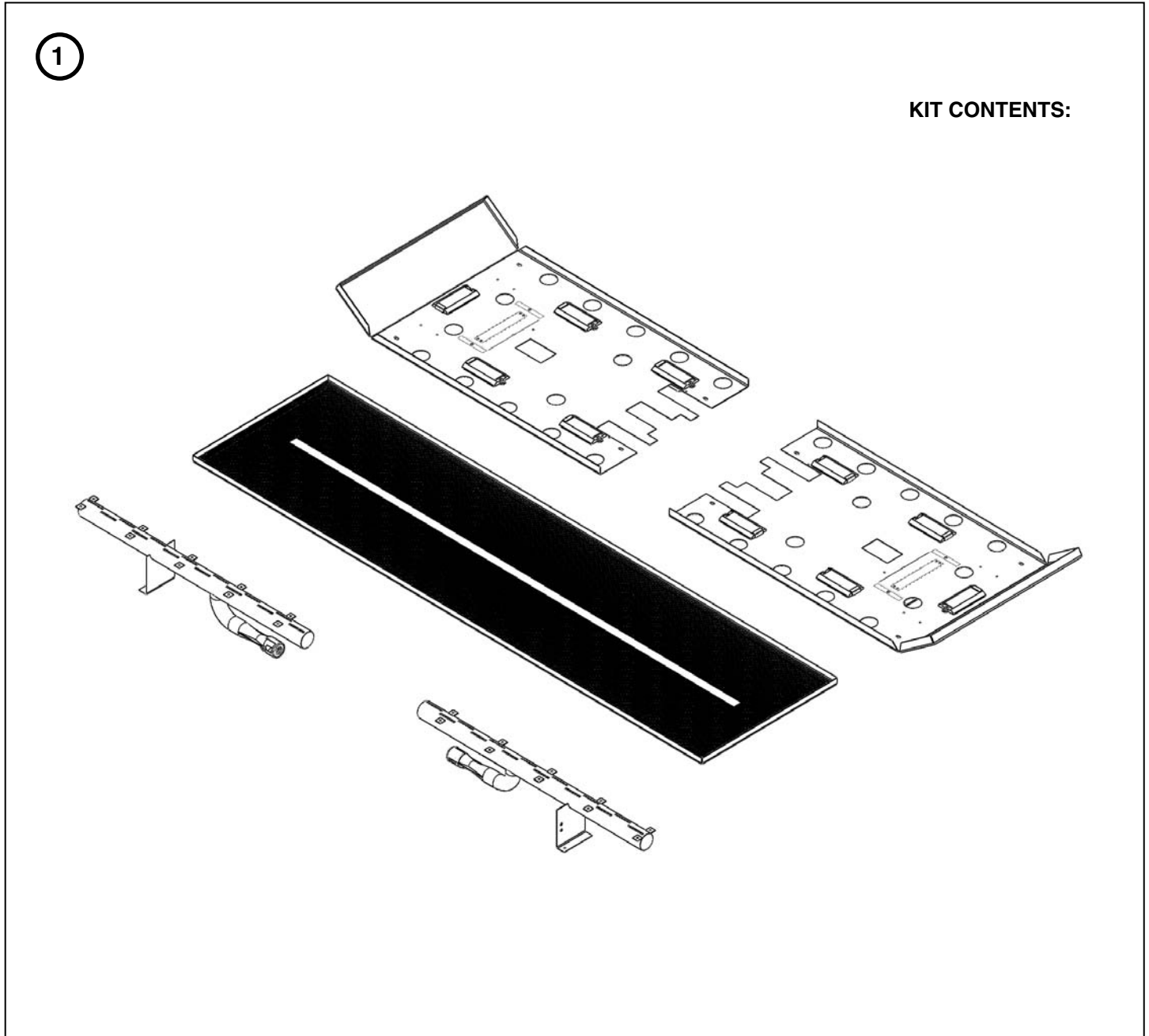


# Replacement Parts - Twilight Diamond

(WHEN ORDERING, INCLUDE PART NUMBER WITH DESCRIPTION)

ITEM .....	DESCRIPTION .....	PART NO.
#1.....	Twilight DIAMOND BURNER .....	TCWS.54NGST03C
* #2.....	GLASS MEDIA (3 required).....	TCRP.501201
* #3.....	LIGHT BULB .....	5033.713

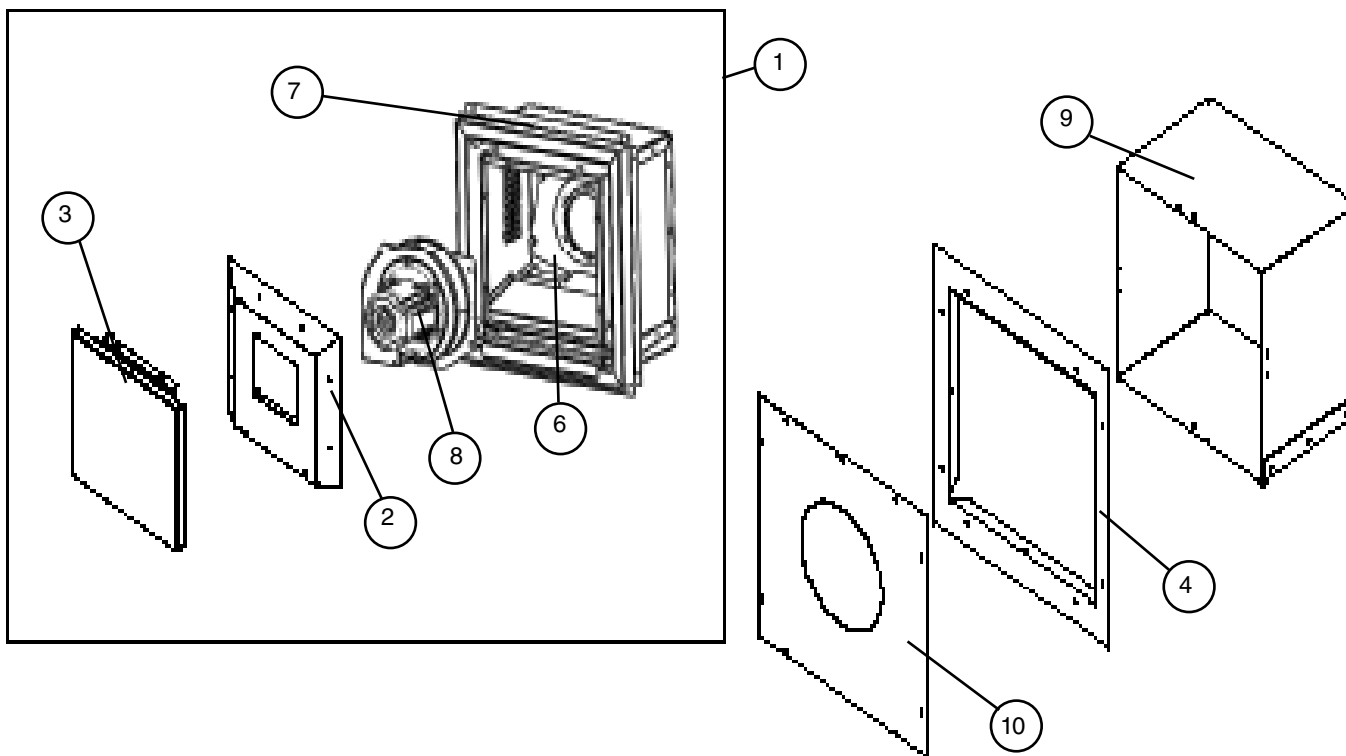
\* NOT SHOWN



## Replacement Parts - TCVT.PVC

ITEM	PART No.	DESCRIPTION	QTY
1	TCVT.7895	FLUSH MOUNT POWER VENT ASSY.	1
2	7895	BLOWER GRILL	1
3	7895.5	GRILL COVER	1
4	8020.5	INNER WALL PLATE	1
6	5068.8065	1/4" LDF PAPER GASKET	1
7	TCVT.7893	TCVT.FMPV OUTER CASING ASSEMBLY	1
8	TCVT.502464	BLOWER, POWERVENT	1
9	TCVT.80285WLD	WALL SLEEVE ASSEMBLY	1
10	8029	WALL PIPE COVER	1

\* NOT SHOWN



# Replacement Parts - TCVT.PVCV

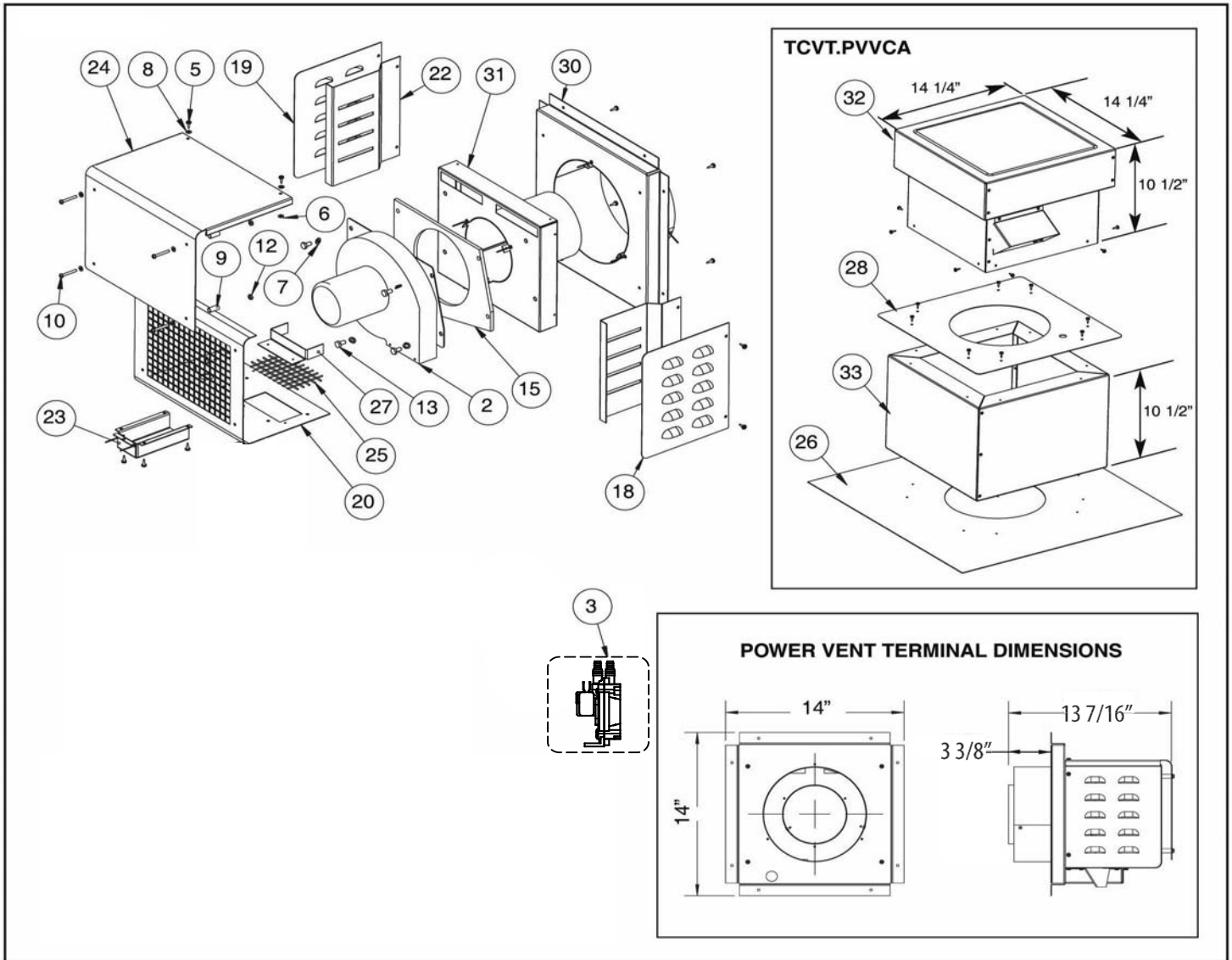
ITEM	PART No.	DESCRIPTION	QTY
2	5024.62	BLOWER POWER VENT	1
3	5027.15	PRESSURE SWITCH	1
*4		3/8" STRAIN RELIEF	2
5		#8 x 1/2" PAN HD SKT 18.8 STAINLESS STEEL	46
6		ID x .379 OD x .062 THK	2
7		1/4 MED LOCKWASHER 18.8 SS	5
8		STANDARD 18-8 SS, #8 FLAT WASHER	6
9		SP100 .25 x .75 AK	4
10		SCREW, #8-32 x1 1/4 RND HD	4
*11		#8-32 x5/16 PAN QUADREX	1
12		HEX NUT, STAINLESS 18-8 PLAIN	4
13		1/4-20 x1/2 NC GR 5 HEX C/S PLTD	5
15		1/4" LDF PAPER	1
*17		BUSHING, SHORTY B625 500	2
18		SIDE COVER, RIGHT	1
19		SIDE COVER, LEFT	1

ITEM	PART No.	DESCRIPTION	QTY
20		INSIDE COVER	1
22		SECONDARY RAIN SHIELD	2
23		JUNCTION BOX	1
24		TOP COVER	1
25		EXHAUST SCREEN	1
26		FLASHING	1
27		OUTLET AIR CHANNEL	1
28		DRIP SHIELD	1
30		VENT COLLAR	1
31		VENT EXHAUST ASSEMBLY	1
32		VERTICAL RAIN CAP, TCVT	1
33		VERTICAL STANDOFF	1
34		BLOWER WIRING	1

ITEM 35 AND 36 ARE USED WITH SERIES "C" FIREPLACES ONLY

\* NOT SHOWN

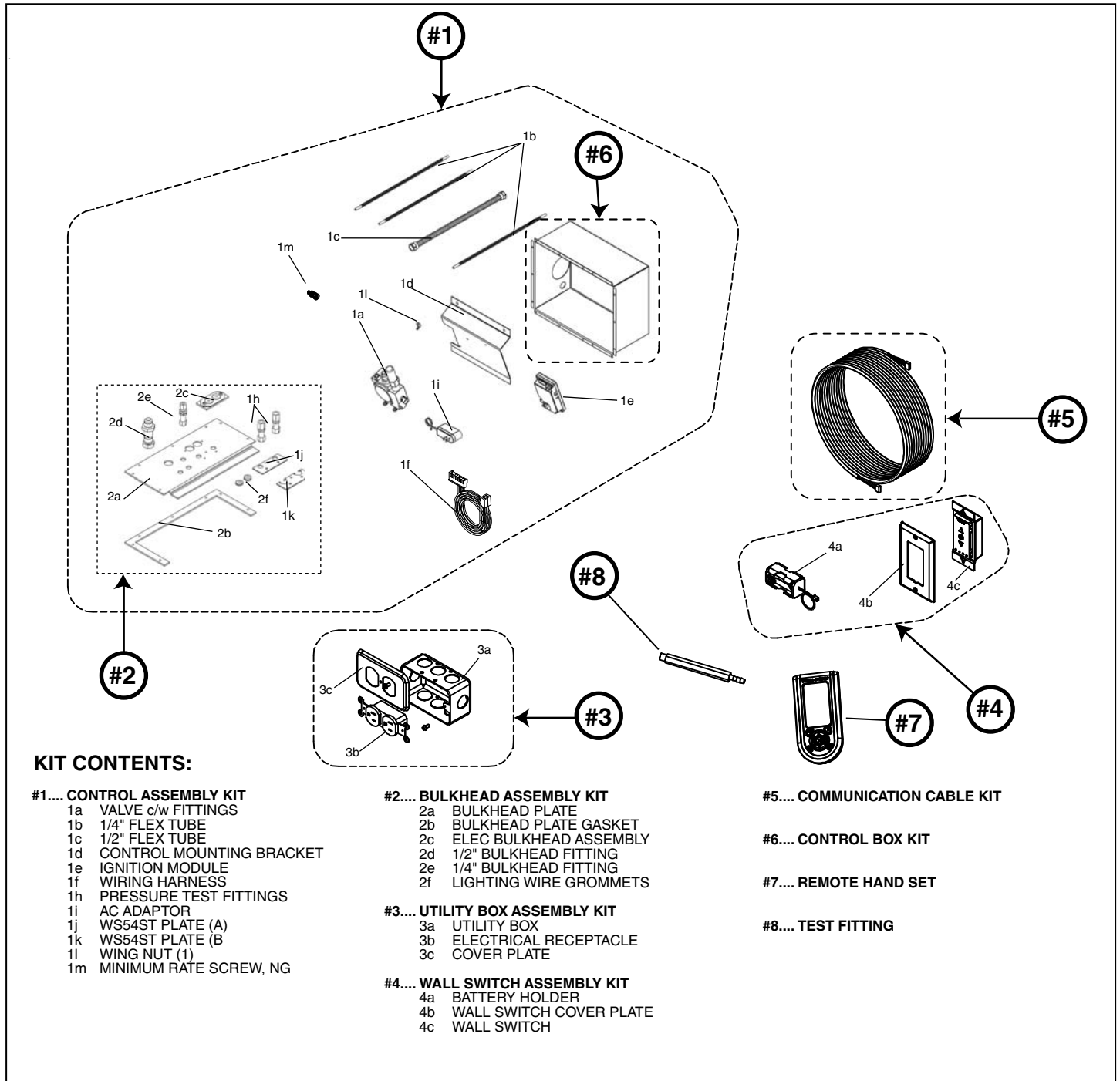
ONLY ITEMS WITH PART NUMBERS SHOWN ARE SOLD SEPARATELY



# Replacement Parts – Maestro Control System

(WHEN ORDERING, INCLUDE PART NUMBER WITH DESCRIPTION)

ITEM.....DESCRIPTION.....PART NO.	ITEM.....DESCRIPTION.....PART NO.
#1.....CONTROL ASSEMBLY KIT .....TCRP.8470	#5.....COMMUNICATION CABLE KIT .....5005.06
#2.....BULKHEAD ASSEMBLY KIT.....TCRP.8485	#6.....CONTROL BOX KIT.....TCRP.8470WLD
#3.....UTILITY BOX ASSEMBLY KIT.....TCRP.5024.405	#7.....REMOTE HAND SET.....5005.05
#4.....WALL SWITCH ASSEMBLY KIT.....TCRP.5005.043	#8.....TEST FITTING.....5019.104



## KIT CONTENTS:

### #1.... CONTROL ASSEMBLY KIT

- 1a VALVE c/w FITTINGS
- 1b 1/4" FLEX TUBE
- 1c 1/2" FLEX TUBE
- 1d CONTROL MOUNTING BRACKET
- 1e IGNITION MODULE
- 1f WIRING HARNESS
- 1h PRESSURE TEST FITTINGS
- 1i AC ADAPTOR
- 1j WS54ST PLATE (A)
- 1k WS54ST PLATE (B)
- 1l WING NUT (1)
- 1m MINIMUM RATE SCREW, NG

### #2.... BULKHEAD ASSEMBLY KIT

- 2a BULKHEAD PLATE
- 2b BULKHEAD PLATE GASKET
- 2c ELEC BULKHEAD ASSEMBLY
- 2d 1/2" BULKHEAD FITTING
- 2e 1/4" BULKHEAD FITTING
- 2f LIGHTING WIRE GROMMETS

### #3.... UTILITY BOX ASSEMBLY KIT

- 3a UTILITY BOX
- 3b ELECTRICAL RECEPTACLE
- 3c COVER PLATE

### #4.... WALL SWITCH ASSEMBLY KIT

- 4a BATTERY HOLDER
- 4b WALL SWITCH COVER PLATE
- 4c WALL SWITCH

### #5.... COMMUNICATION CABLE KIT

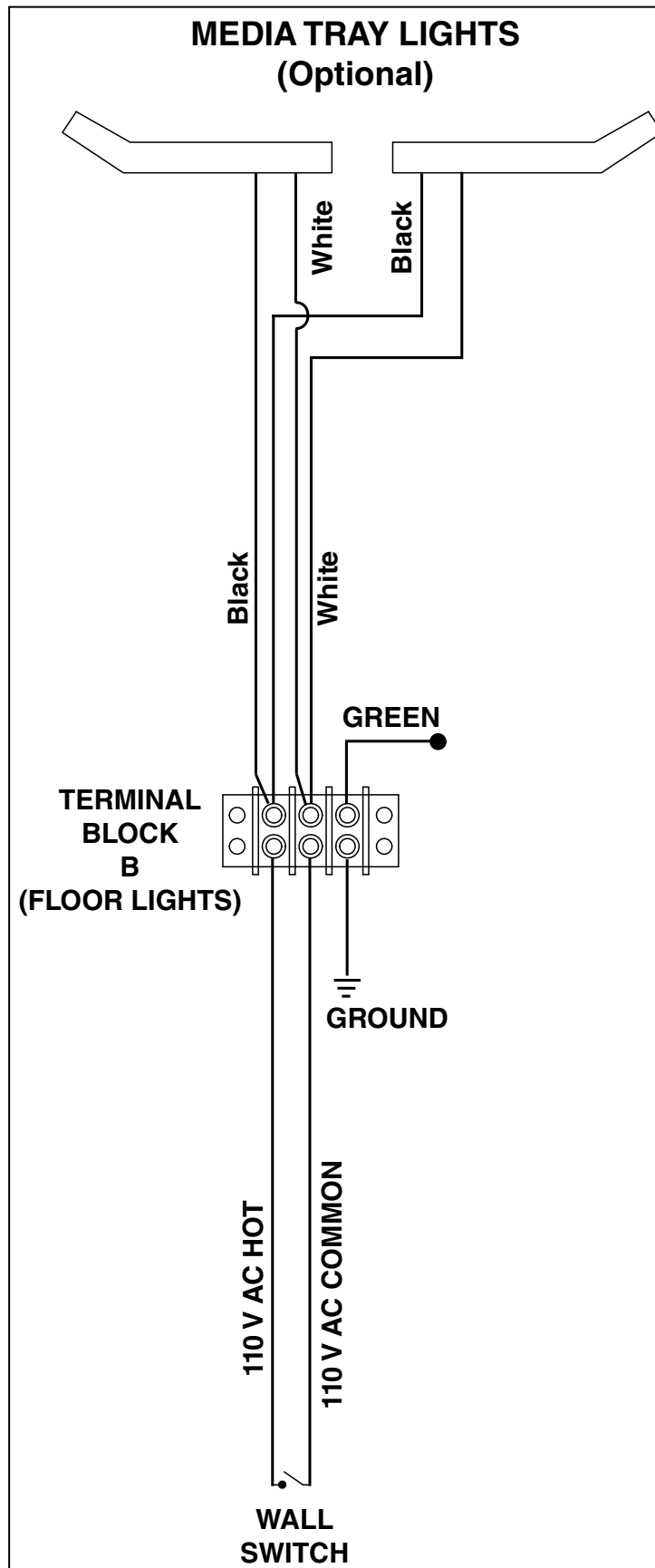
### #6.... CONTROL BOX KIT

### #7.... REMOTE HAND SET

### #8.... TEST FITTING

# Light Wiring Diagrams

Fig. #121





# Safety Label Location

**NOTE:** The Safety Label is located on a plate found in a slot between the left hand side lintel and the left hand side window frame. This plate is attached to the side casing with a cable.



**TOWN & COUNTRY  
FIREPLACES™**

**MODEL/  
MODELE: TCWS54ST**

**SERIES/  
SERIE: C**

**MADE IN CANADA  
FABRIQUE AU CANADA**

Optional components: Power Vent/ Éléments facultatifs: Par Soufflerie (TCVT.WSPVB1, TCVT.PVCV, TCVT.FMPV, TCVT.FMPV3, TCVT.PVC1, TCVT.PVC2, TCVT.PVC3); Unit electrical rating: 115v, 60hz, 8.5A / Normes électriques du unité: 115v, 60hz, 8.5  
This appliance equipped for altitudes 0 - 4500 ft. (0 - 1372 m) / Cet unité est conçu pour des altitudes variant entre 0 - 4500 pieds (0 - 1372 m). In Canada, also certified for installation in a bedroom or a bedsitting room / Aussi certifié pour installation dans une chambre à coucher ou une salle de séjour. This appliance must be installed in accordance with local codes, if any; if none, follow the current CAN/CGA-B149 (Canada), or ANSI Z223.1 (USA) Installation Codes. Installer l'appareil selon les codes ou règlements locaux, ou, en l'absence de tels règlements, selon les codes d'installation CAN/CGA-B149 (Canada), or ANSI Z223.1 (USA) en vigueur.

**VENTED GAS FIREPLACE - NOT FOR USE  
WITH SOLID FUEL//FOYER AU GAZ À ÉVACUATION -  
NE PAS UTILISER AVEC DU COMBUSTIBLE SOLIDE**

ANSI Z21.50b-2009 / CSA 2.22b-2009 Vented Gas Fireplaces  
CAN/CGA 2.17-M91 Gas-Fired Appliance For Use At High Altitudes.

Certified for / Certifié pour Canada and U.S.A.

LC-702

This Appliance is Equipped For Use With /  
Cet Appareil est Équipé Pour Utiliser Avec :

<p><b>NATURAL GAS GAZ NATUREL</b></p>	<p><b>LP-GAS LP GAZ</b></p>
---	---------------------------------

FOR USE WITH/ EN CASE D'EMPLOI AVEC:	NATURAL GAS/ DU GAZ NATUREL	LP GAS/ DU GAZ LP
Minimum supply pressure / Pression minimum d'alimentation: (For the purpose of input adjustment / dans le but de régler l'alimentation)	5.0 in/wc / 5.0 po/c.e. (1.25 kPa)	12.5 in/wc / 12.5 po/c.e. (3.11 kPa)
Maximum supply pressure / Pression maximum d'alimentation:	13.9 in/wc / 13.9 po/c.e. (3.45 kPa)	13.9 in/wc / 13.9 po/c.e. (3.45 kPa)
Manifold pressure / Pression de la tuyauterie: Maximum	3.5 in/wc / 3.5 po/c.e. (.87 kPa)	11.0 in/wc / 11.0 po/c.e. (2.74 kPa)
Orifice Size / Diametre de l'injecteur:	#32	#51
Input BTU/hr (kW) / Entree BTU/h (kW):	Max.:61,000Btu (17.8kw) Min.: 39,000Btu (11.4kw)	Max.:61,000Btu (17.8kw) Min.:39,000Btu (11.4kw)

**MANUFACTURED (MOBILE) HOME:** This appliance is only for use with the type of gas indicated on the rating plate and may be installed in an aftermarket, permanently located, manufactured (mobile) home where not prohibited by local codes. See owners manual for details.  
**FABRIQUEZ (MOBILE) MAISON:** Cet appareil doit être utilisé uniquement avec le type de gaz indiqué sur la plaque signalétique et peut être installé dans une maison préfabriquée (mobile) installée à demeure si les règlements locaux le permettent. Voir la notice du propriétaire pour plus de détails. Cet appareil ne peut être converti à d'autres gaz sauf si une trousse de conversion certifiée est utilisée.  
Install in accordance with the current standard Mobile Homes, CAN/CSA Z240 MH (in CANADA), and the Manufacturer's Home Construction and Safety Standard, Title 24 CFR, Part 3280, or the current Standard for Fire Safety Criteria for Manufactured Home Installations, Sites, and Communities ANSI/NFPA 501A, (in the U.S.A.). Cet appareil doit être installé conformément aux exigences de la norme CAN/CSA Z240 MH en vigueur de l'ACNOR, Installations de gaz dans les Constructions Mobiles.

**FOR USE WITH GLASS DOORS CERTIFIED WITH THE APPLIANCE ONLY / POUR UTILISATION UNIQUEMENT AVEC LES PORTES IN VERRE CERTIFIÉES AVEC L'APPAREIL**

MINIMUM CLEARANCES TO COMBUSTIBLES / CLAIRANCES MINIMALES AVEC LES COMBUSTIBLE		
Left and Right side are determined when facing the front of the appliance. / Les côtés droit et gauche se déterminent en se mettant devant l'appareil et en lui faisant face.		
Top, Back and Side Standoffs / Sommet, Arrière et Côté Butée	0 in./ 0 po.	(0 mm)
Sidewall to Appliance / Du mur latéral a l'appareil	4 in./ 4 po.	(102 mm)
Mantel to Appliance / Du manteau al'appareil	*9 in./ 9 po.	(229 mm)
Maximum Mantel Extension / Allongement maximum du manteau	*12 in./ 12 po.	(305 mm)
*See Installation Manual for more detail / Voyez des Directive de l'Installation pour plus détails.		
Mantel Supports / Supports du manteau	2 in./ 2 po.	(51 mm)
Vent Pipe / Déchargez le Tuyau	1.75 in./ 1.75 po.	(45 mm)

**WARNING:** Improper installation, adjustment, alteration, service or maintenance can cause injury or property damage. Refer to the owner's information manual provided with this appliance. For assistance or additional information, consult a qualified installer, service agency or the gas supplier.  
**AVERTISSEMENT:** Une installation, un réglage, une modification, une réparation ou un entretien mal effectué peut causer des dommages matériels ou des blessures. Voir la notice de l'utilisateur qui accompagne l'appareil. Pour de l'aide ou des renseignements supplémentaires, consultez un installateur, un technicien agréé ou le fournisseur de gaz.

080713
5050.72036.CE3
1-TCWS54ST

Pacific Energy  
Fireplace Products Ltd.  
Duncan, British Columbia,  
Canada

DDV  
TECHNOLOGY

Accepted for Use  
City of New York  
Department of Buildings  
MEA 116-08-E  
Pacific Energy  
Fireplace Products Ltd.







TOWN & COUNTRY  
L U X U R Y F I R E P L A C E S

**Technical support: 1-250-748-1184**  
**Web site: [www.townandcountryfireplaces.net](http://www.townandcountryfireplaces.net)**  
**2975 Allenby Rd., Duncan, BC V9L 6V8**