

**INSTALLER:** Leave this manual with the appliance.  
**CONSUMER:** Retain this manual for future reference.

**WARNING:** If the information in these instructions is not followed exactly, a fire or explosion may result causing property damage, personal injury or death.

### FOR YOUR SAFETY

Installation and service must be performed by a qualified installer, service agency or the gas supplier.

### WHAT TO DO IF YOU SMELL GAS

- Do not try to light any appliance.
- Do not touch any electrical switch.
- Do not use any phone in your building.
- Immediately call your gas supplier from a neighbour's phone. Follow the gas supplier's instructions.
- If you cannot reach your gas supplier call the fire department.

Do not store or use gasoline or other flammable vapors and liquids in the vicinity of this or any other appliance.

This appliance may be installed in an aftermarket permanently located, manufactured home (USA only) or mobile home, where not prohibited by local codes.

This appliance is only for use with the type of gas indicated on the rating plate. This appliance is not convertible for use with other gases, unless a certified kit is used.

This appliance is suitable for installation in a bedroom or bed sitting room.



TOWN & COUNTRY  
LUXURY FIREPLACES

SERIAL #

# TC54 INSTALLATION AND OPERATING INSTRUCTIONS



**MODEL:  
TC54  
SERIES D  
MODULAR DIRECT VENT  
FIREPLACE**

Visit [www.townandcountryfireplaces.net](http://www.townandcountryfireplaces.net) for the most recent version of this manual

# Table of Contents

<p>Caution ..... 3</p> <p>Safety ..... 3</p> <p>Important Note for the Commonwealth of Massachusetts: ..... 4</p> <p>Fireplace Dimensions ..... 5</p> <p>Minimum Clearances to Combustible Material ..... 5</p> <p>Installation Requirements ..... 6</p> <p>Manufactured (Mobile) Home ..... 6</p> <p>Window Frame Removal ..... 6</p> <p>Top Standoffs ..... 7</p> <p>Locating The Fireplace ..... 7</p> <p>Framing and Finishing ..... 8</p> <p>Steel Stud Framing Kit ..... 11</p> <p style="padding-left: 20px;">Frame Assembly ..... 12</p> <p>Adjustable Lintel ..... 13</p> <p>Hearth Extension ..... 14</p> <p>Electrical ..... 15</p> <p>Wall Switch and Remote Control ..... 16</p> <p>Selecting Natural Vent and Power Vent Modes ..... 16</p> <p>Home Automation ..... 17</p> <p>Gas Supply ..... 18</p> <p>Gas Pressure Check ..... 18</p> <p>Horizontal Termination Venting (Power Vented) ..... 19</p> <p>Vertical Termination Venting ..... 20</p> <p>Roof Termination Venting Chart ..... 21</p> <p style="padding-left: 20px;">Ceiling Opening: ..... 22</p> <p style="padding-left: 20px;">Ceiling Firestop: ..... 22</p> <p style="padding-left: 20px;">Roof Support Bracket: ..... 22</p> <p style="padding-left: 20px;">Vent Pipe Sealant ..... 23</p> <p style="padding-left: 20px;">Insulated Collar Shield ..... 23</p> <p style="padding-left: 20px;">Roof Vent Terminal: ..... 24</p> <p>Vent Terminal Clearance ..... 24</p> <p style="padding-left: 20px;">Roof Pitch Table ..... 25</p> <p>Vent Restrictor Adjustment ..... 26</p> <p>Roof Termination Kit ..... 27</p> <p>Vent Pipe Dimensions ..... 28</p>	<p>Vent Offset Chart ..... 28</p> <p>Firebox Panels Installation ..... 29</p> <p style="padding-left: 20px;">TC54 PANELS ..... 29</p> <p>Finishing Touch Trim Kit Instructions ..... 30</p> <p>Lighting Instructions ..... 31</p> <p>First Fire ..... 32</p> <p>Special Operator Note ..... 32</p> <p>Remote Control Operation ..... 32</p> <p style="padding-left: 20px;">Fireplace Description ..... 34</p> <p style="padding-left: 20px;">Transmitter (Remote Control with LCD Display)..... 34</p> <p style="padding-left: 20px;">IFC Module..... 34</p> <p style="padding-left: 20px;">Operating Procedure..... 34</p> <p style="padding-left: 20px;">Initializing the Fireplace for the first time..... 34</p> <p style="padding-left: 20px;">Using the Remote Control Transmitter..... 35</p> <p style="padding-left: 20px;">Temperature indication Display..... 35</p> <p style="padding-left: 20px;">Turn on the Fireplace..... 35</p> <p style="padding-left: 20px;">Turn off the Fireplace..... 35</p> <p style="padding-left: 20px;">Manual Bypass of the Remote Fireplace ..... 35</p> <p style="padding-left: 20px;">Remote Flame Control ..... 36</p> <p style="padding-left: 20px;">ROOM THERMOSTAT (Transmitter Operation) ..... 36</p> <p style="padding-left: 20px;">Smart Thermostat (Transmitter Operation)..... 36</p> <p style="padding-left: 20px;">Instructions for enabling the Thermostat function for Canadian users. .... 36</p> <p style="padding-left: 20px;">Remote dimmer control (Light)..... 37</p> <p style="padding-left: 20px;">Continuous Pilot/Intermittent Pilot (CPI/IPI) selection..... 37</p> <p style="padding-left: 20px;">Key Lock ..... 37</p> <p style="padding-left: 20px;">Low Battery Power Detection ..... 37</p> <p style="padding-left: 20px;">Transmitter ..... 37</p> <p style="padding-left: 20px;">Receiver ..... 37</p> <p>Maintenance ..... 38</p> <p style="padding-left: 20px;">Glass Panel: ..... 38</p> <p style="padding-left: 20px;">Annual Inspection:..... 38</p> <p style="padding-left: 20px;">Periodically:..... 38</p> <p>Replacement Parts ..... 39</p> <p>Replacement Parts – Control System ..... 40</p> <p>Wiring Diagram ..... 41</p> <p>Rating Label ..... 42</p>
--	--

DANGER

**HOT GLASS WILL CAUSE BURNS.**

**DO NOT TOUCH GLASS UNTIL COOLED.**

**NEVER ALLOW CHILDREN TO TOUCH GLASS.**

**A barrier designed to reduce the risk of burns from the hot viewing glass is provided with the appliance and shall be installed for the protection of children and other at-risk individuals.**

---

## Caution

---

**FOR YOUR SAFETY** - Do not install or operate your Town & Country fireplace without first reading and understanding this manual. Any installation or operational deviation from the following instructions voids the Town & Country Fireplaces™ Warranty and may prove hazardous.

This appliance and its individual shut off valve must be disconnected from gas supply piping system during any pressure testing of that system at test pressures in excess of 1/2 psig (3.5 kPa).

This appliance must be isolated from the gas supply piping system by closing its individual manual shut off valve during any pressure testing of the gas supply piping system at test pressures equal to or less than 1/2 psig (3.5 kPa).

Note: When lit for the first time, the appliance will emit a slight odour for a couple of hours. This is due to the curing of paints, sealants and lubricants used in the manufacturing process. This condition is temporary. Open doors and windows to ventilate area. Smoke and fumes caused by the curing process may cause discomfort to some individuals.

Do not use the fireplace if any part has been under water. Immediately call a qualified service technician to inspect the fireplace and to replace any part of the control system and any gas control which has been under water.



We recommend that our gas hearth products be installed and serviced by professionals who are certified in the United States by the National Fireplace Institute® (NFI) as NFI Gas Specialists

---

## Safety

---

Due to high temperatures, this gas appliance should be located out of traffic and away from furniture and draperies.

Children and adults should be alerted to the hazards of high surface temperatures and should stay away to avoid burns or clothing ignition.

Young children should be carefully supervised when they are in the same room as the appliance. Toddlers, young children, and others may be susceptible to accidental contact burns. A physical barrier is recommended if there are at-risk individuals in the house. To restrict access to a fireplace or stove, install an adjustable safety gate to keep toddlers, young children, and other at-risk individuals out of the room and away from hot surfaces.

Clothing or other flammable material should not be placed on or near the appliance.

Any grill, panel or door removed for servicing the unit must be replaced prior to operating. Failure to do so may create a hazardous condition.

Installation and repair should be done by a qualified service person. The appliance should be inspected before use and at least annually by a professional service person. More frequent cleaning may be required due to excessive lint from carpeting, bedding material, etc. It is imperative that control compartments, burners and circulating air passageways of the appliance be kept clean.

It is our policy that no responsibility is assumed by the Company or by any of its employees or representatives for any damages caused by an inoperable, inadequate, or unsafe condition which is the result, either directly or indirectly, of any improper operation or installation procedures.

This appliance must not be connected to a chimney flue serving a separate solid fuel burning appliance.

# Important Note for the Commonwealth of Massachusetts:

From Massachusetts Rules and Regulations 248 CMR 5.08:

- (a) For all side wall horizontally vented gas fuelled equipment installed in every dwelling, building or structure used in whole or in part for residential purposes, including those owned or operated by the Commonwealth and where the side wall exhaust vent termination is less than seven (7) feet above finished grade in the area of the venting, including but not limited to decks and porches, the following requirements shall be satisfied.
  - 1. **INSTALLATION OF CARBON MONOXIDE DETECTORS.** At the time of installation of the side wall horizontal vented gas fuelled equipment, the installing plumber or gas fitter shall observe that a hard wired carbon monoxide detector with an alarm and battery back-up is installed on the floor level where the gas equipment is to be installed, in addition, the installing plumber or gas fitter shall observe that a battery operated or hard-wired carbon monoxide detector with an alarm is installed on each additional level of the dwelling, building or structure served by the side wall horizontal vented gas fuelled equipment. It shall be the responsibility of the property owner to secure the services of qualified licensed professionals for the installation of hard-wired carbon monoxide detectors.
    - a. In the event that the side wall horizontally vented gas fuelled equipment is installed in a crawl space or an attic, the hard-wired carbon monoxide detector with alarm and battery back-up may be installed on the next adjacent floor level.
    - b. In the event that the requirements of this subdivision cannot be met at the time of completion of installation, the owner shall have a period of thirty (30) days to comply with the above requirements; provided, however, that during said thirty (30) day period, a battery operated carbon monoxide detector with an alarm shall be installed.
  - 2. **APPROVED CARBON MONOXIDE DETECTORS.** Each carbon monoxide detector as required in accordance with the above provisions shall comply with NFPA 720 and be ANSI/UL 2034 listed as IAS certified.
  - 3. **SIGNAGE.** A metal or plastic identification plate shall be permanently mounted to the exterior of the building at a minimum height of eight (8) feet above grade directly in line with the exhaust vent terminal for the horizontally vented gas fuelled heating appliance or equipment. The sign shall read, in print size no less than one-half (1/2) inch in size, "GAS VENT DIRECTLY BELOW. KEEP CLEAR OF ALL OBSTRUCTIONS"
  - 4. **INSPECTION.** The state or local gas inspector of the side wall horizontally vented gas fuelled equipment shall not approve the installation unless, upon inspection, the inspector observes carbon monoxide detectors and signage installed in accordance with the provisions of 248 CMR 5.089(2) (a) 1 through 4.
- (b) **EXEMPTIONS.** The following equipment is exempt from 248 CMR 5.089(2)(a) 1 through 4.
  - 1. The equipment listed in Chapter 10 entitled "Equipment Not Required To Be Vented" in the most current edition of NFPA 54 as adopted by the Board; and
  - 2. Product Approved side wall horizontal vented gas fuelled equipment installed in a room or structure separate from the dwelling, building or structure used in whole or in part for residential purposes.
- (c) **MANUFACTURER REQUIREMENTS – GAS EQUIPMENT VENTING SYSTEM PROVIDED.** When the manufacturer of Product Approved side wall horizontally vented gas equipment provides a venting system design or venting system components with the equipment, the instructions provided by the manufacturer for installation of the equipment and the venting system shall include:
  - 1. Detailed instructions for the installation of the venting system design or the venting system components; and
  - 2. A complete parts list for the venting system design or venting system.
- (d) **MANUFACTURER REQUIREMENTS – GAS EQUIPMENT VENTING SYSTEM NOT PROVIDED.** When the manufacturer of a Product Approved side wall horizontally vented gas fuelled equipment does not provide the parts for venting the fuel gases, but identifies "special venting systems", the following requirements shall be satisfied by the manufacturer.
  - 1. The referenced "special venting system" instructions shall be included with the appliance or equipment installation instructions; and
  - 2. The "special venting systems" shall be Product Approved by the Board, and the instructions for that system shall include a parts list and detailed installation instructions.
- (e) A copy of all installation instructions for all Product Approved side wall horizontally vented gas fuelled equipment, all venting instructions, all parts lists for venting instructions, and/or all venting design instructions shall remain with the appliance or equipment at the completion of the installation.

# Fireplace Dimensions

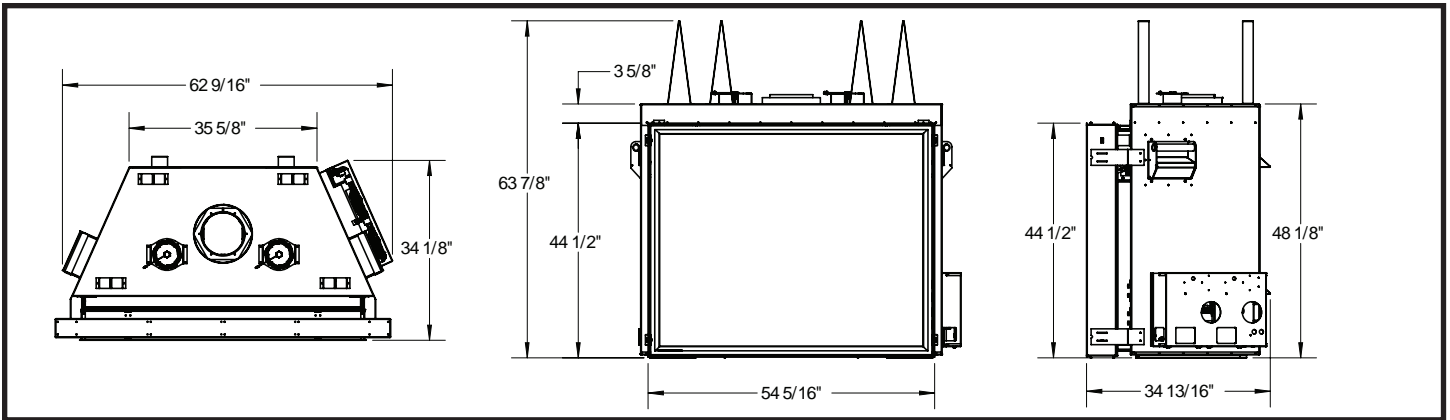


Figure 1: TC54 Dimensions.

## Minimum Clearances to Combustible Material

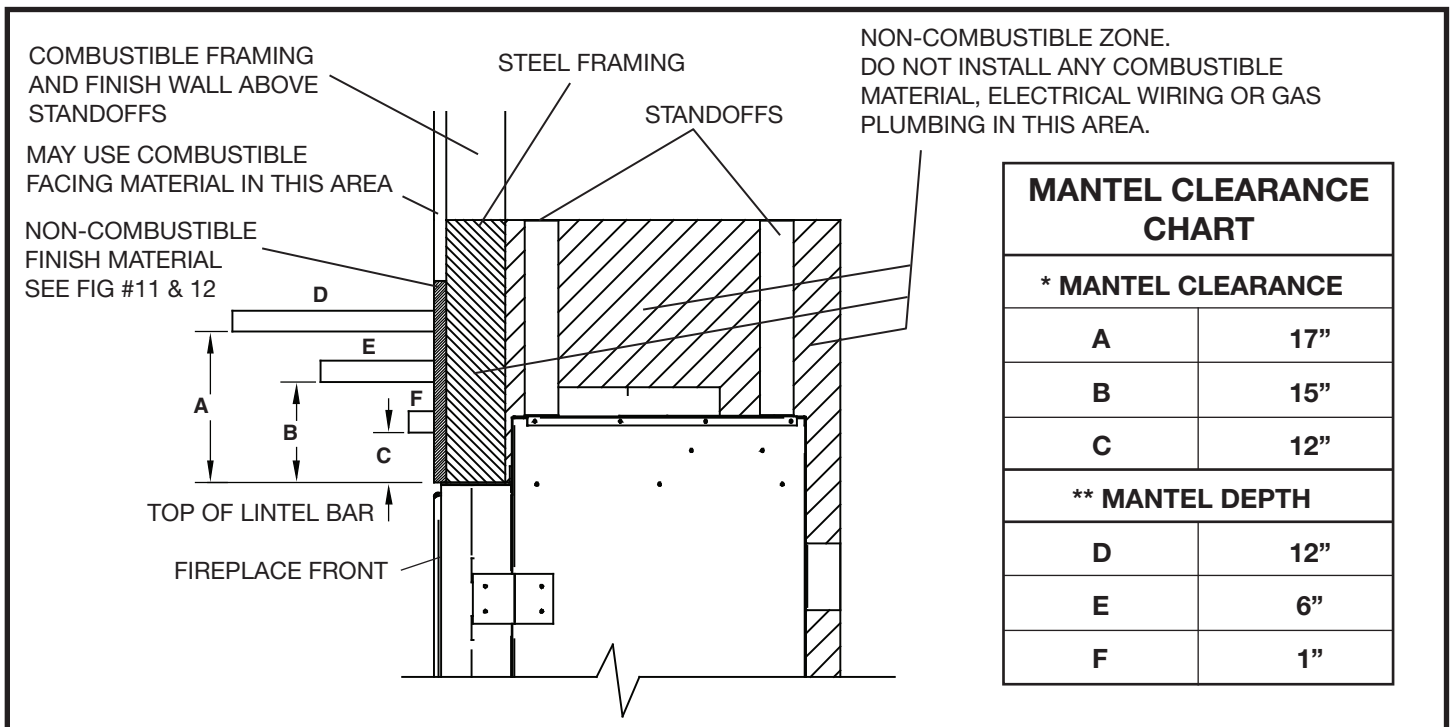


Figure 2: TC54 Mantle clearances.

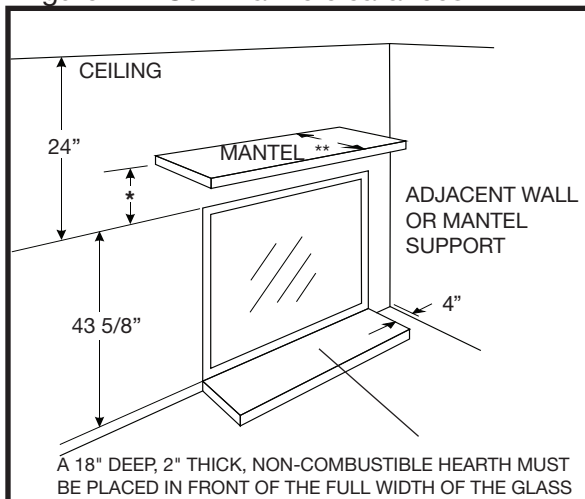


Figure 3: Mantel clearances.

**NOTE:**  
To ensure that the hearth does not interfere with the window frame, the fireplace must be raised.

Refer to 'Hearth Extension' section for details.

### Minimum Clearances:

Side standoffs	0 in.	(0 mm)
Back standoffs	0 in.	(0 mm)
Top standoffs	0 in.	(0 mm)
Bottom of appliance	0 in.	(0 mm)
Adjacent side wall	4 in.	(102 mm)
Ceiling to appliance	24 in.	(610 mm)
*Mantel to appliance	See Fig.#2	
**Maximum Mantel extension	See Fig.#2	
Mantel support	4 in.	(102 mm)
Vertical vent pipe	1 3/4 in.	(45 mm)
Horizontal Vent pipe		
(Top, sides and bottom)	1 3/4 in.	(45 mm)

## Installation Requirements

The Town & Country Fireplace installation and venting must conform to the current CAN/CGA-B149 installation code (in Canada) or the current National Fuel Gas Code, ANSI Z223.1 (in the USA), and approved per local codes. Only qualified (licensed or trained) personnel should install this product.

In the state of Massachusetts, only a licensed Plumber and Gas Fitter may install this product.

## Manufactured (Mobile) Home

In some jurisdictions, the Town & Country Fireplace may be installed in Manufactured Homes after the "first sale". Consult local codes for approval. The fireplace must be fastened in place.

Install in accordance with the current standard Mobile Homes, CAN/CSA Z240 MH (in CANADA), and the Manufacturer's Home Construction and Safety Standard, Title 24 CFR, Part 3280 or the current Standard for Fire Safety Criteria for Manufactured Home Installations, Sites and Communities ANSI/NFPA 501A (in the USA).

## Window Frame Removal

**Warning:** Turn off the fireplace, and allow ample time for the unit to cool before proceeding.

**Caution:** The ceramic glass is very fragile, and should be handled with care.

The window frame is held in place by two spring-loaded latches that are operated by a one-piece latch handle.

1. Remove safety barrier screen (Figure 4) by prying the top portion of the screen toward you, then lift the screen from its tabs (inset) located at the base of the window frame.
2. Remove the TC Finishing Touch Trim Kit from the window frame. (If installed)
3. Using a screwdriver (Figure 5) or other similar object, push against the notch in the top of the latch and grab the bottom of the latch handle as it protrudes (Figure 6). Lift handle until latch hook disengages. Repeat for other side while holding glass so it does not tip out.
4. Tilt the top of the window frame out to clear the top edge of the unit. Grasp the sides of the frame and lift up and out to disengage from its bottom track.
5. Place the window frame in a safe place to avoid damage.
6. Re-assemble in reverse order. Latch handle should snap into place and be flush with window frame when engaged correctly.
7. Reinstall Trim Kit if required.
8. Reinstall safety barrier screen

**TIP:**

To ensure glass is properly latched, grasp the top left and right sides of the glass frame, under moderate pressure it should pull forward and return to original position evenly on both sides.

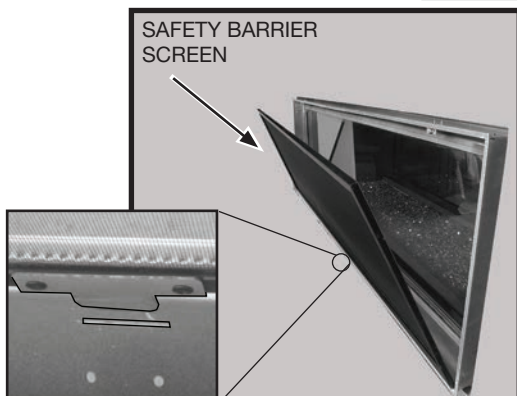


Figure 4: Safety barrier screen.



Figure 5: Accessing handle.



Figure 6: Handle.



---

## Top Standoffs

---

The top standoffs are shipped loose inside the fireplace and must be installed on top of the fireplace (Figure 7). Do this once the fireplace is on site and in position.

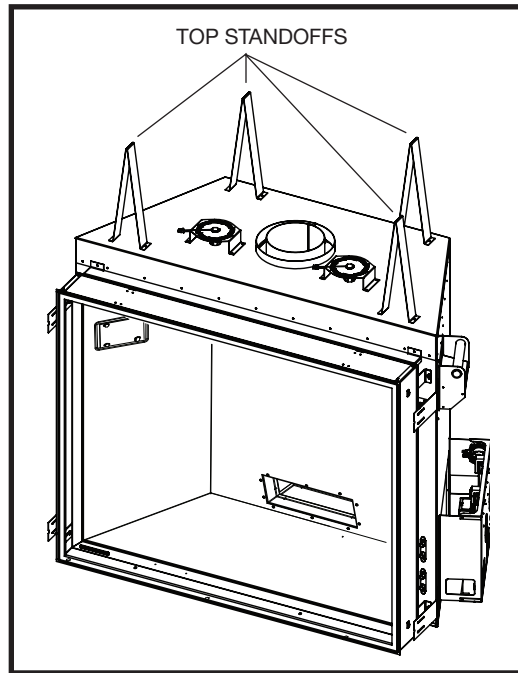


Figure 7: Stand offs.

---

## Locating The Fireplace

---

In planning the installation for the fireplace, it is necessary to determine where the unit is to be installed, location of vent system and where gas supply piping may be plumbed. Various installations are possible, such as, into an existing wall, a corner, a built-in wall or a wall projection (Figure 8). Due to high temperatures, do not locate this fireplace in areas of high traffic or near furniture or draperies.

**The minimum clearances from the fireplace to combustible surfaces must be adhered to and are shown in Figure 2 & Figure 3.**

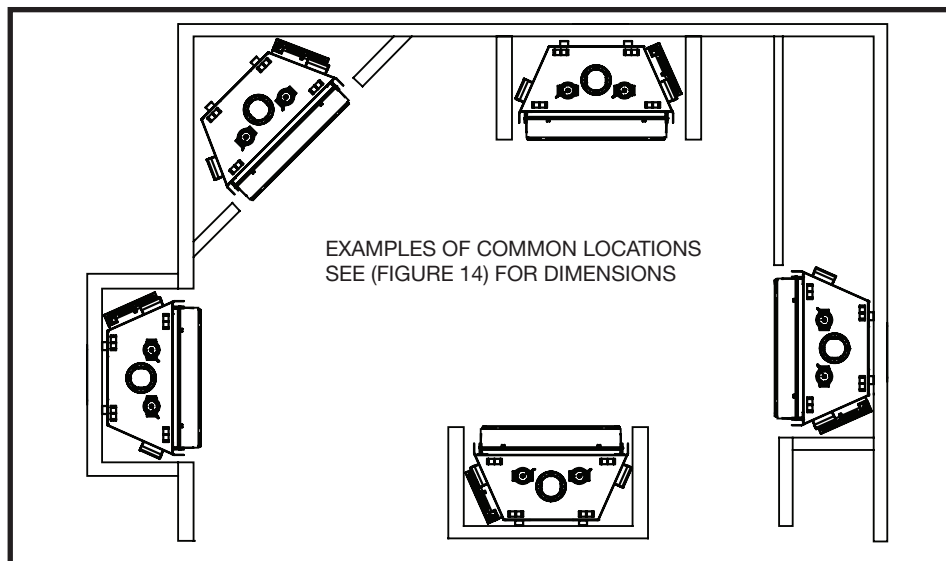


Figure 8: Common installation examples.

## Framing and Finishing

**Note: The fireplace should be in place and venting installed before framing in or building an enclosure around the unit.**

The Town & Country fireplace must be framed in as described below or totally enclosed with non-combustible material, such as facing brick.

Determine the total thickness of facing material to be used. A thickness of 3/4" will allow the finishing surface to be flush with the front of the unit. If preferred, additional masonry type non-combustible material can be installed above and to the sides up to 4 1/2 inches proud of the appliance.

**The finishing material must not interfere with glass frame access or movement.**

A Steel Stud Framing Kit is supplied with the fireplace and must be used unless the fireplace is totally enclosed with non-combustible material. Assemble the framing kit as per the instructions on pages page 11 of this manual. Attach

the steel frame to the fireplace once the fireplace is in its final position. Secure the steel frame to the framing brackets on each side of the unit. Ensure that the studs are set back far enough to allow for thickness of finishing surface.

The sides, back and top of the fireplace can be framed in up to the steel studs and the fireplace standoffs using conventional lumber. Consult local building codes for specific requirements.

Due to high temperatures, non-combustible backer board, such as cement board or its equivalent, must be used to sheet in the front of the fireplace, extending 18 3/4" above and 5" to the side of the framing edge bars (Figure 12). Standard sheet rock (dry wall) may be used beyond this.

If the backer board is not to be finished with other non-combustible material such as tiles, it is recommended that the instructions in (Figure 11) be followed closely.

**Chase Insulation:** When installing this fireplace against a non-insulated exterior wall or chase, it is recommended that the outer walls be insulated to same degree as other exterior walls. Do not place fireplace directly against the insulation. Cover the insulation and plastic vapour barrier with a solid surface, such as dry wall (sheet rock). Consult local codes. Do not insulate or use plastic vapour barrier within the framing kit.

**CAUTION: See Figure 11 on page 10 BEFORE PROCEEDING.**

### NOTE:

**The chase must be properly sealed at the ceiling level or between floors in a multilevel installation.**

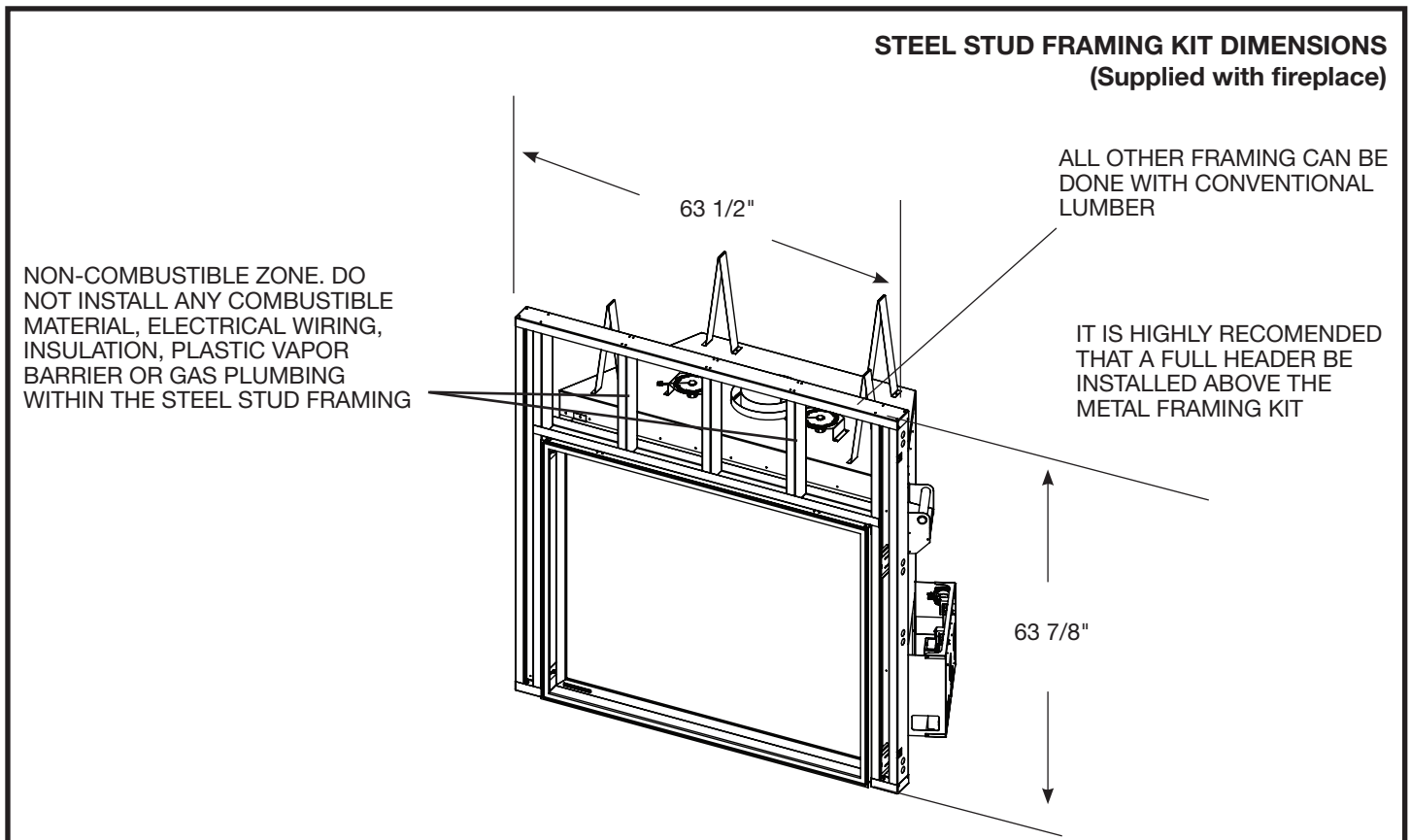
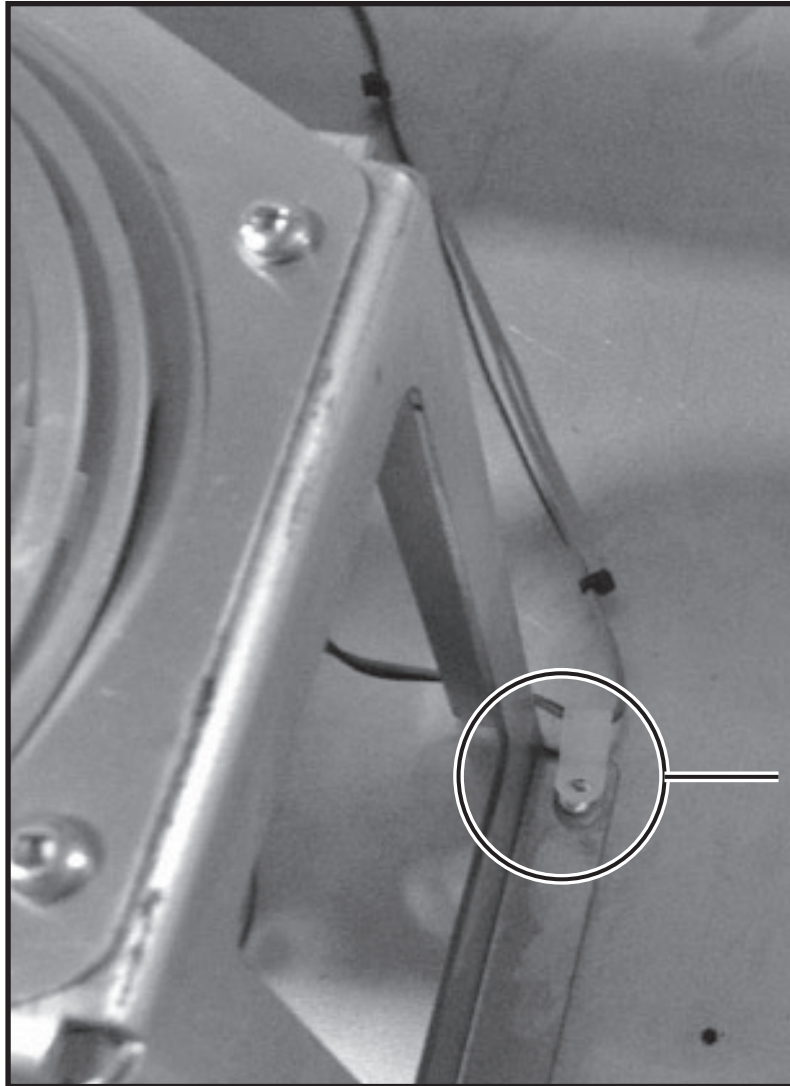


Figure 9: TC54-D with frame.



**NOTE:** This fireplace ships with the light wiring secured in retaining clips. Remove light wiring from the retaining clip before installing and walling up the fireplace.



**Wire retaining clip**

Figure 10: Light wiring retaining clip.

If finishing the wall above the unit with paint, the framing kit shipped with the unit should be discarded. Use full sheets of calcium silicate board or equivalent and full length metal studs to finish and frame around the unit.

Calcium silicate board is a high grade material with cement, quartz and natural minerals as the main raw materials. (Note: Calcium Silicate is 1/2" thick)

**CAUTION:** Calcium Silicate board can be damaged if dropped or struck. Handle with care. Inspect board prior to installation and do not use if cracked.

**NOTE:** It is recommended to pre-drill mounting holes in the board prior to securing to the framing. This will prevent the board from cracking.

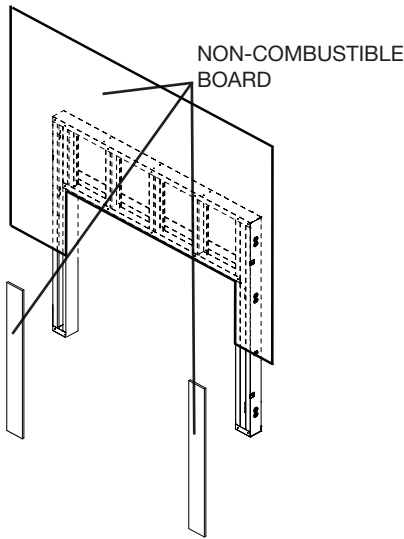
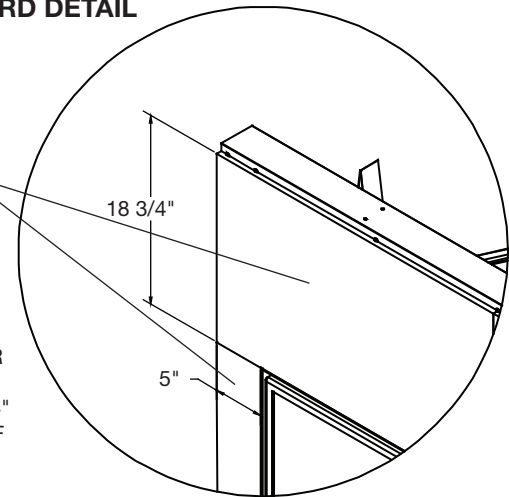


Figure 11: Non-combustible board location.

### NON-COMBUSTIBLE BOARD DETAIL

NON-COMBUSTIBLE BOARD



NON-COMBUSTIBLE BOARD (OR OTHER NON-COMBUSTIBLE MATERIAL) MUST EXTEND 18 3/4" ABOVE AND 5" TO THE SIDES OF THE FRAMING EDGES.

Figure 12: Non-combustible board within frame.

### NON-COMBUSTIBLE RECESSED INSTALLATION DETAIL

This fireplace may be recessed up to a maximum depth of 4 1/2". This recess must be constructed from non-combustible material.

Finishing material must not protrude past framing flanges under ANY circumstance. The safety screen and the window, with trim fitted, must be able to move freely.

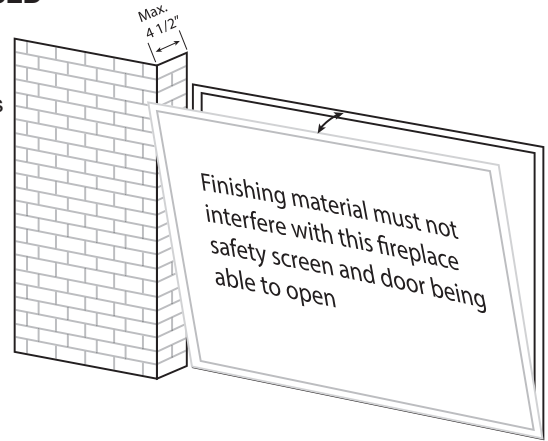


Figure 13: Recessed detail.

### MINIMUM COMBUSTIBLE FRAMING DIMENSIONS

**NOTE:** Fireplace should be in its final location before framing.

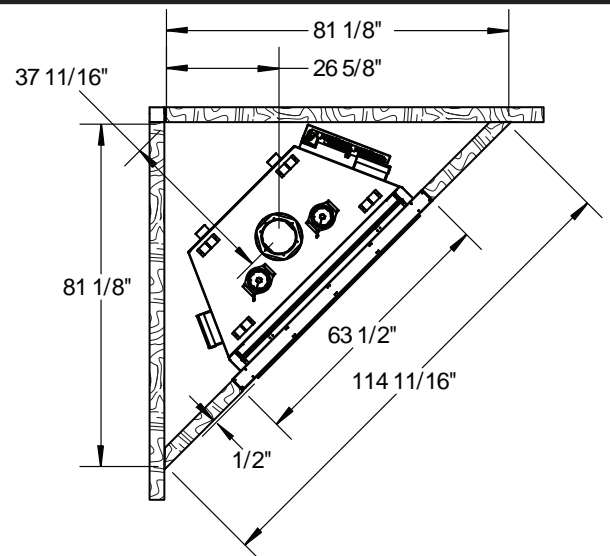
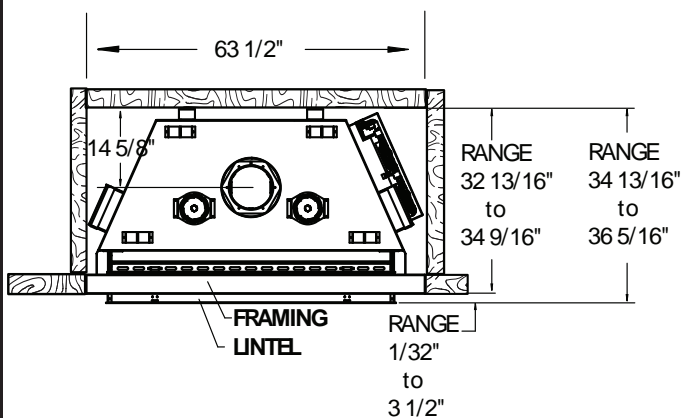


Figure 14: TC54 Minimum Combustible Framing.

# Steel Stud Framing Kit

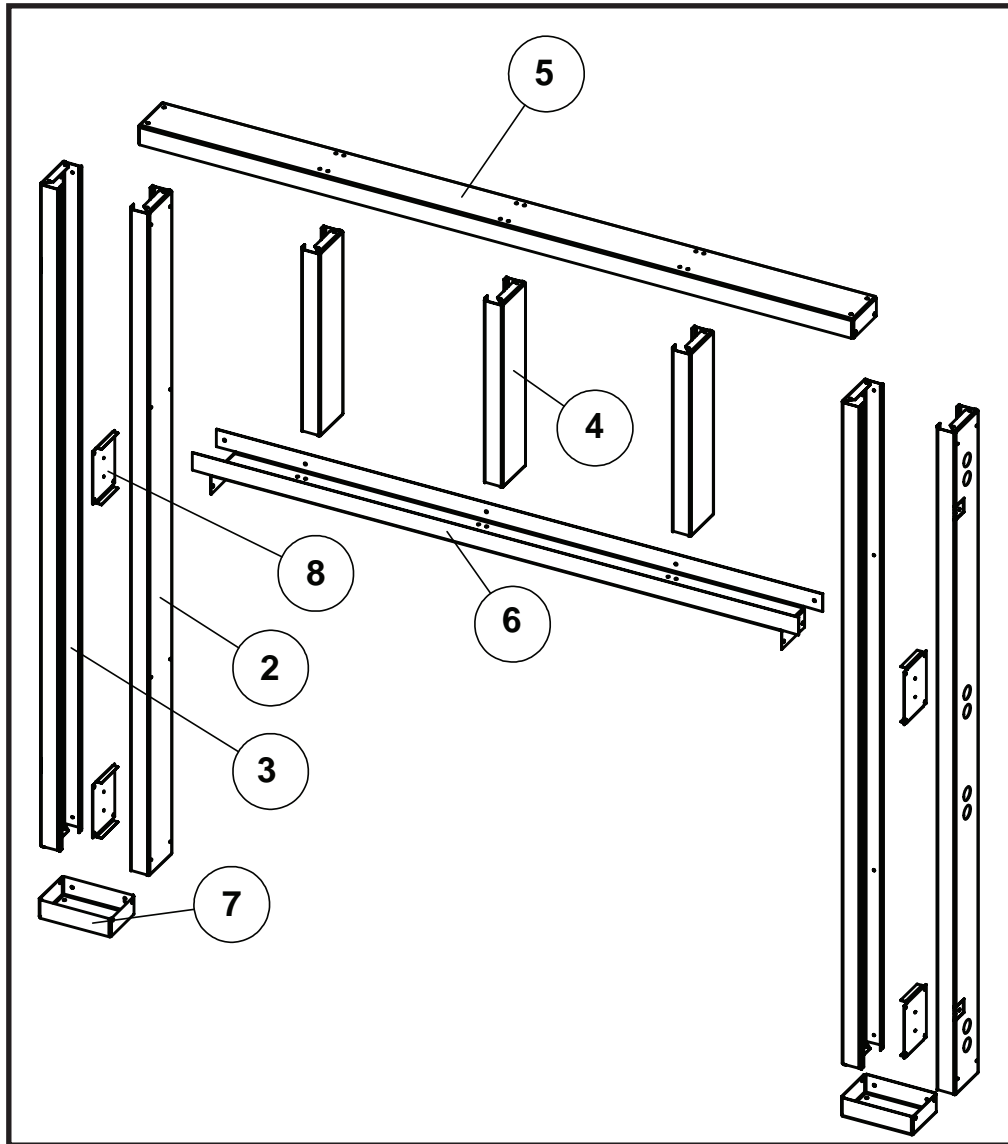


Figure 15: TC54 Steel frame assembly.

## Each Kit Contains:

Item	Description	Qty.
1	SCREW, TEKS #8 x 1/2 (Not shown)	Pkg 40
2	STUD, INNER SIDES 63 3/4"L	2
3	STUD, OUTER SIDES 63 3/4"L	2
4	CENTER STUD, VERTICAL SHORT 19 7/16"L	3

Item	Description	Qty.
5	STUD, HEADER HORIZONTAL 58 1/4" L	1
6	STUD PLATE, HORIZONTAL	1
7	BASE PLATE 5 15/16" L	2
8	FRAMING PLATE	4

# Frame Assembly

## 1. Top Frame Assembly

- Lay out the horizontal header stud (5) on a large flat surface. (Position all pieces on their narrow edges as shown in the illustration in Figure 15).
- Position the three short, vertical center studs (4) perpendicular to the horizontal header stud, and align with the corresponding sets of screw holes. Fasten with the screws (1) provided.
- Position the shorter horizontal plate stud (6) at the bottom end and perpendicular to the vertical center studs (4). Align the bottom ends of the vertical center studs to the corresponding sets of screw holes and fasten with the screws provided.

## 2. Attach Side Studs (Legs)

- Lay the inner vertical side stud (2) so that its top end aligns with the 2nd set of screw holes of the horizontal header stud (5). The side stud should attach to, and be perpendicular to the short plate stud end (6). Fasten with the screws provided.
- Fasten the vertical outer side studs (3) to the ends of the header stud (5).
- Position the base plate (7) at the bottom of the inner and outer side stud legs and fasten with the screws provided.
- Turn the assembled frame over and install screws to the remaining fastening points.

## 3. Attach the Assembled Frame to the Unit

- Align the assembled frame to the unit framing brackets (Figure 16). Align the framing plates (8) to the fastening points through the access holes in the outer side studs (3).

## 4. Secure to Existing Framing

- Secure the frame assembly to existing framing through the header stud (5) and the base plates (7).

## 5. Install Non-combustible Board

- Use drywall screws to install the concrete board (Figure 17).

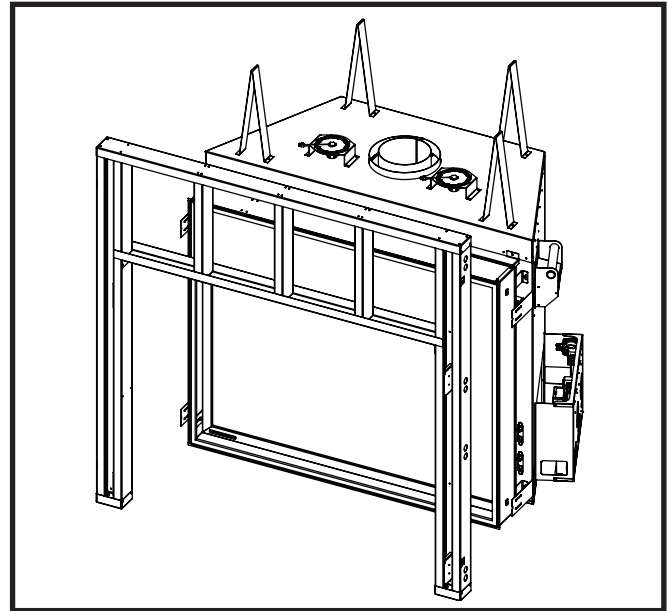


Figure 16: Align the assembled frame with the fireplace.

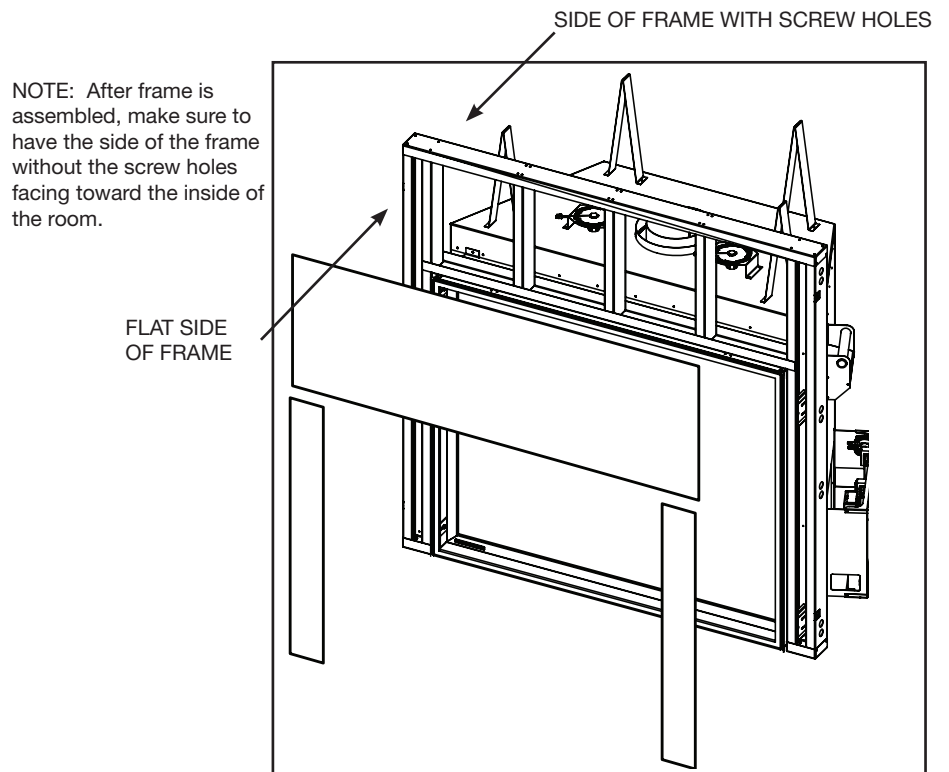


Figure 17: Aligning the frame so that the flat surface is facing outward.

## Adjustable Lintel

The adjustable lintel assembly has two orientations for desired finishing. A flanged edge and a hemmed edge. The lintel comes factory installed with the flange edge out. If the desired edge is different from the factory setting, use the following steps to change the screen.

1. Remove safety barrier screen.
2. Remove the window trim (Figure 18).
3. Loosen the securing bolts in the upper and lower corners on each side of the lintel and remove the lintel. Rotate the assembly to have the desired edge away from the fireplace (Figure 19).
4. The lintel assembly can then be adjusted to align flush with your facing material by sliding in or out approximately 1".
5. Tighten the securing bolts (Figure 19).
6. Re-attach the window trim.
7. Reinstall safety barrier screen.



Figure 18: Lintel and trim.

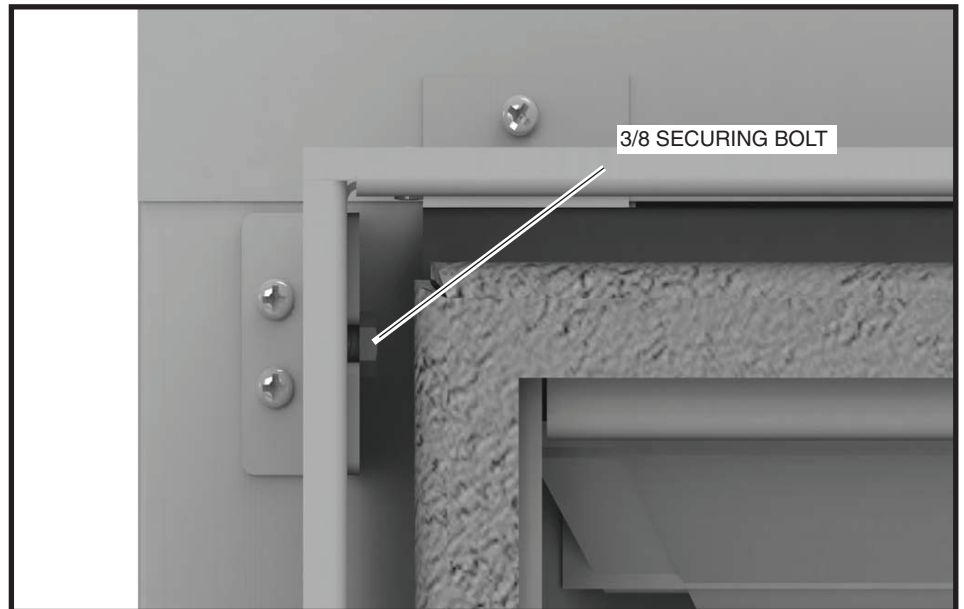


Figure 19: Securing bolt.

This fireplace may be recessed up to a maximum depth of 4½" from the screen, this recess must be constructed from non-combustible material. The space between the outside lintels and the firebox must be completely free of any debris and the window with trim fitted must be able to move freely. No building material is permitted to protrude past the lintel bars attached to the fireplace under ANY circumstance.

NON-COMBUSTIBLE  
FINISH MATERIAL

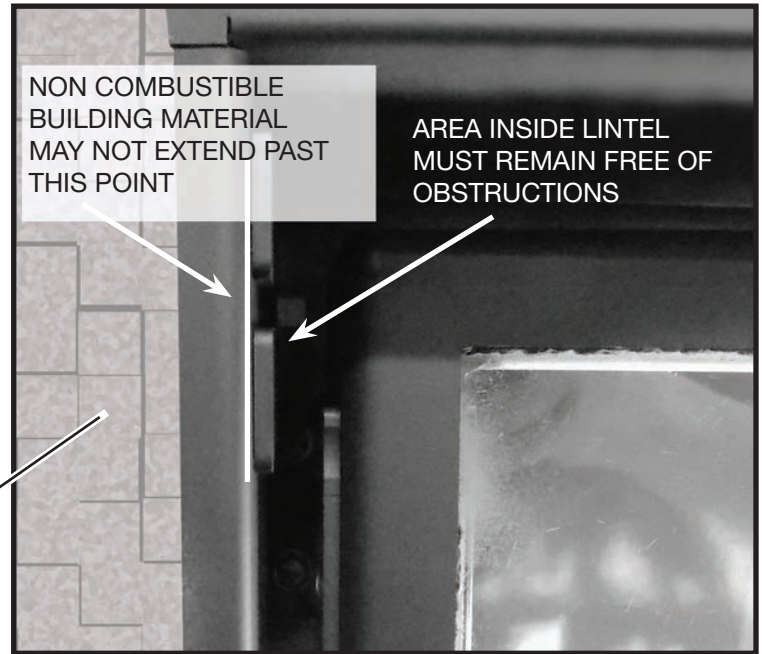


Figure 20: Framing edge location.

## Hearth Extension

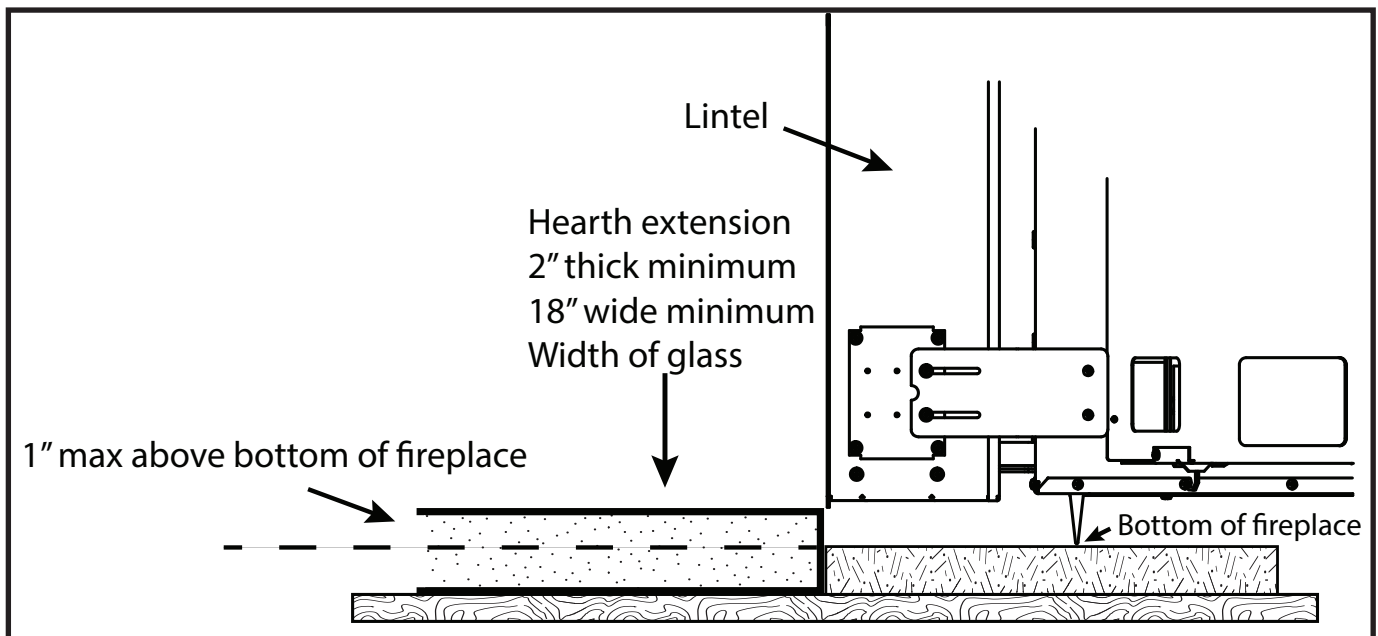


Figure 21: TC54D Hearth extension.

**Caution:**

A minimum 2" thick non-combustible hearth extension extending 18" in front of this fireplace must be fitted if a combustible sub floor extends in front of the fireplace. To ensure that the hearth does not interfere with the safety screen, the fireplace must be raised to ensure that the hearth extension is no more than 1" above the bottom of the fireplace.

The fireplace can be raised using combustible or non-combustible materials ensuring that it is fully supported along the full width and depth of the fireplace.



# Electrical

The gas control system is located on the right hand side of the firebox behind an access panel and the decorative firebox panel (if installed). The fireplace is operated via a wall control and a hand held remote control unit.

**Note: Installation must be performed by a qualified installer, service agency or gas supplier.**

The wall control is connected to the fireplace by a 40 ft. communication cable supplied with the fireplace. The communication cable can be extended with an optional 40 ft. extension kit.

## Installation

1. Place the fireplace in the desired location.
2. Remove the window from the fireplace.
3. Remove access panel from right hand side of the firebox (Figure 22).
4. Connect 110 V. AC electrical supply to the wires installed inside the junction box (Figure 23). The fireplace is rated at 110 volts, 60Hz, 0.25A. The optional power vent kit is rated at 115 volts, 60Hz, 1.8A.

The electrical wires can be accessed from both inside and outside the junction box by removing one of the two small access panels (Figure 23 & Figure 24) .

5. Attach the wall switch (Figure 25) to the framing in the desired location (40 ft is supplied with fireplace).
6. Route the wall switch control cable (supplied) as required to the wall switch (Figure 26).
7. Attach one end of the wall switch control cable to the wall control (Figure 26), and the other end to the interface board (Figure 24).
8. Insert the 4 supplied "AA" batteries into the battery pack of the wall switch (Figure 27).
9. If not already installed, install the burner using the instructions supplied with the burner kit.
10. Turn on the gas supply and check that all connections are tight and leak free.
11. Turn on gas and electrical supplies.
12. Move the center button on the wall control (Figure 25) to the "ON" position. The igniter will start to spark. After a short delay, the pilot will light followed by the main burner.

FIREBOX ACCESS PANEL



Figure 22: Access to firebox.

JUNCTION BOX OUTER ACCESS PANEL

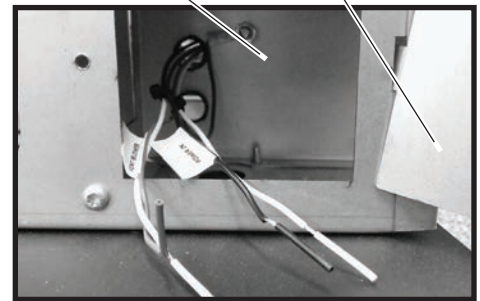


Figure 23: Junction box wiring.

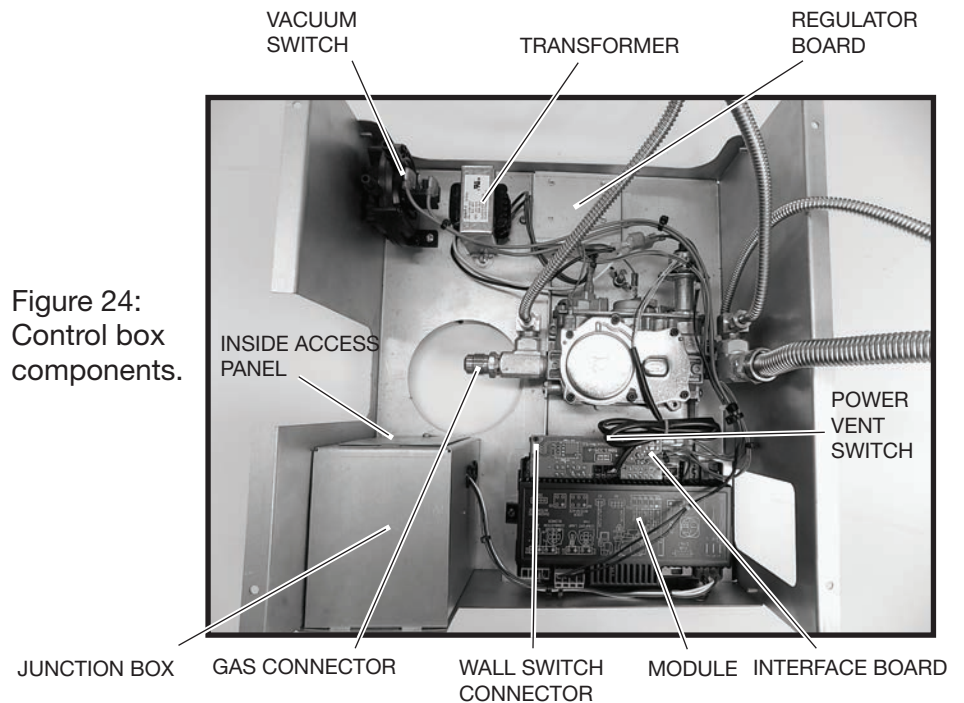


Figure 24:  
Control box  
components.

## Wall Switch and Remote Control



Figure 25: Town & Country wall switch.

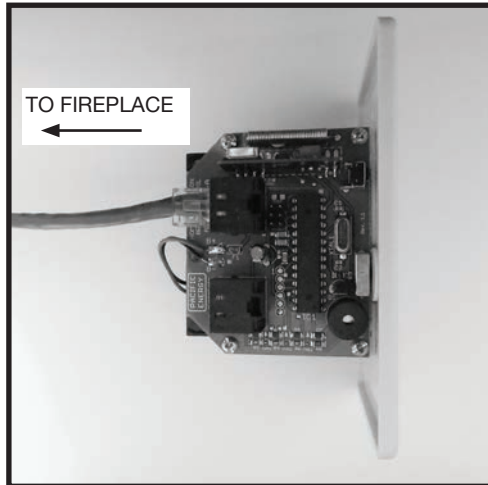


Figure 26: Wall switch - interface side.

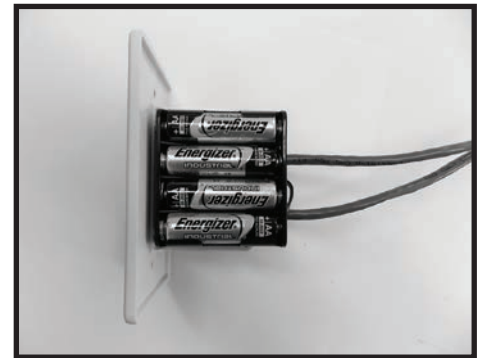


Figure 27: Wall switch - battery side.

### Linking the remote control unit to the wall switch.

1. Begin by moving the selector toggle on the wall switch to the "REMOTE" position.
2. Insert a straightened paper clip into the "PROGRAM" slot on the wall switch.
3. Press the internal "PROGRAM" button once and wait until you hear 3 beeps from the wall switch.
4. Press the ON/OFF button of the remote unit. Once the wall unit beeps 3 times, the remote is programmed.
5. The toggle on the wall switch must be kept in the "REMOTE" position in order to use the remote control unit.

## Selecting Natural Vent and Power Vent Modes

The NV / PV (Natural Vent / Power Vent) switch (Figure 28) on the interface board (Figure 24) is set according to which type of evacuating vent system is present. If the fireplace is vented without the assistance of a power vent, the switch should be set to "NV". If using a power vent, "PV" should be selected. Follow the instructions provided with the power vent kit for proper installation.

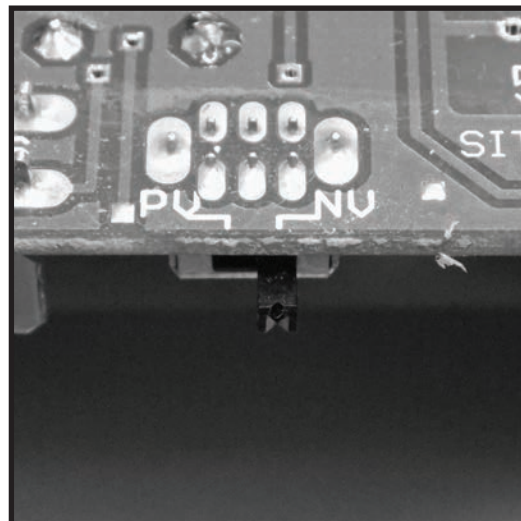


Figure 28: Vent mode selection switch.

# Home Automation

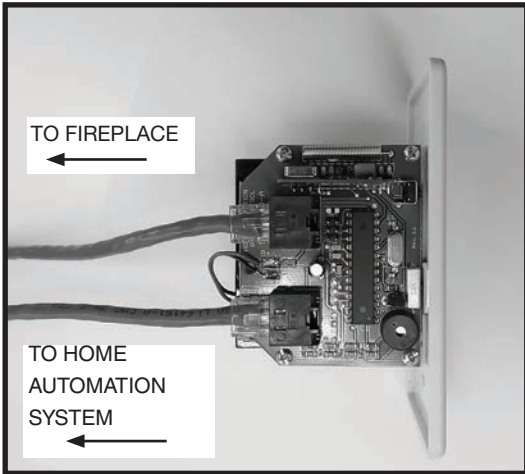


Figure 29: Complete communication wiring.

The home automation feature supplied with this fireplace is capable of controlling the flame and light on/off function with the use of a dry contact relay common to home automation systems. Furthermore, the flame and light level may be modulated from high to low using the 0 - 10 volt analog output available on most home automation systems.

(Figure 30) shows the wire designations required to connect the fireplace to a home automation system.

**Note:** Leave the wall switch on the “Remote” setting when using home automation.

**NOTE:**

When a signal has been supplied by the home automation system, the fireplace control will repeat the signal every 2 hours or until a new command has been received.

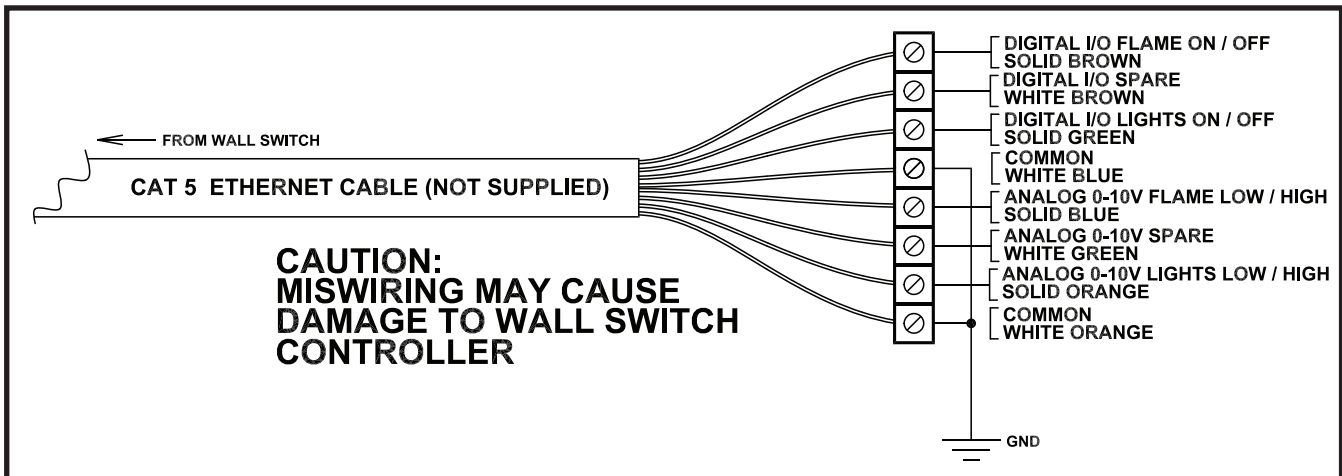


Figure 30: Home automation wiring diagram.

**NOTE:**

- Digital I/O must be connected to a dry contact relay.
- Analog flame and light input through 0 - 10 volt DC signal scaled as follows:

Low = 1 volt  
High = 10 volts

# Gas Supply

**CAUTION:** The gas line should be installed by a qualified service person in accordance with all building codes. This section is intended as a guide for qualified technicians installing this appliance. Consult local and / or national building codes before proceeding.

Gas supply line access holes are located at the top and left sides of the Control Box. Gas valve inlet accepts a 3/8" N.P.T. fitting. Correct gas line diameter must be used to assure proper operation and pressure.

**NOTE:** A sediment trap, as per national fuel gas code, must be installed in the gas supply line no more than 6 feet from the gas control valve to minimize the possibility of any loose scale or dirt within the gas supply line from entering the control valve.

**DO NOT HARD PIPE GAS LINE TO VALVE.** A method of disconnecting the valve from the gas line such as a union or flare fitting must be provided to allow for repair or replacement of the gas valve.

Check local codes for additional requirements.

1. Connect the gas supply to the valve (Figure 24).
2. Turn on the gas supply and check that all connections are tight and leak free.

**WARNING:** The access panel including gasket must be reinstalled after conversion/installation or servicing has been completed. Failure to do so will cause overheating and premature failure of the control system.

# Gas Pressure Check

**Note:** To test the gas pressure, turn off the gas supply before removing the plug from the supply pressure test port or manifold pressure test port. There are four ports on this fireplace. The top two are connected to the rear burner and the bottom two are to the front burner. Manifold pressures should be checked on both to ensure they are correct.

**Verify gas pressures with the fireplace lit and on the highest setting.**

Please refer to the Burner Installation Manual for gas pressure testing procedure.

<b>Correct gas pressure requirement:</b>		
	<b>Natural Gas</b>	<b>Propane</b>
<b>Min. Pressure</b> <small>(For purpose of input adjustment)</small>	<b>5.0" WC</b>	<b>12.5" WC</b>
<b>Max. Pressure</b>	<b>13.9" WC</b>	<b>13.9" WC</b>
<b>Manifold Pressure</b>		
<b>Maximum</b>	<b>3.5" WC</b>	<b>10" WC</b>
<b>Minimum</b>	<b>1.6" WC</b>	<b>6.4" WC</b>

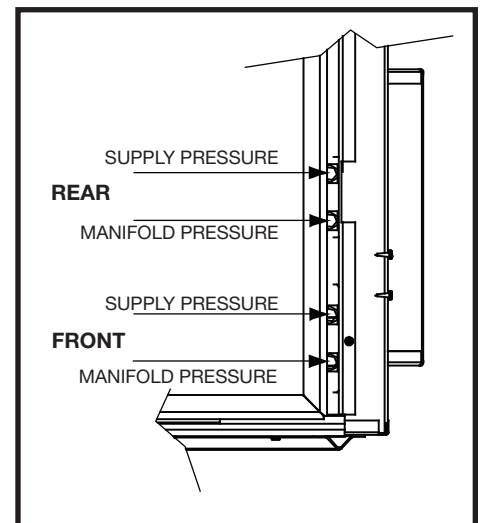


Figure 31: Gas test ports.

## Horizontal Termination Venting (Power Vented)

This unit can be vented horizontally (wall termination) ONLY with an approved High Capacity Power Vent Kit (TCVT.PVAX2) using TC 8x11 Vent Pipe.

**NOTE:**

It is recommended that the High Capacity Power Vent Terminal be painted with hi-temp paint. See manual for details.

**NOTE:**

A vertically vented TC54 cannot be power-vented.

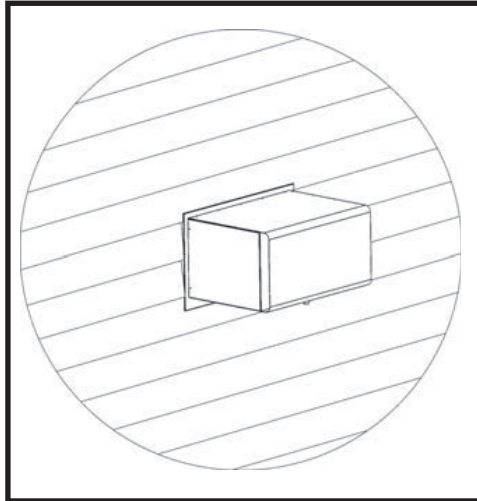


Figure 32: TCVT.PVAX21 power vent for TC54.

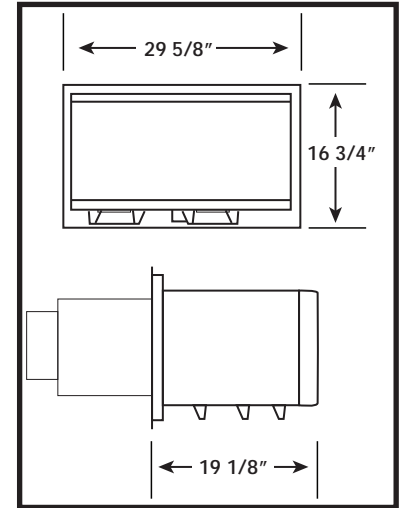


Figure 33: Power vent dimensions.

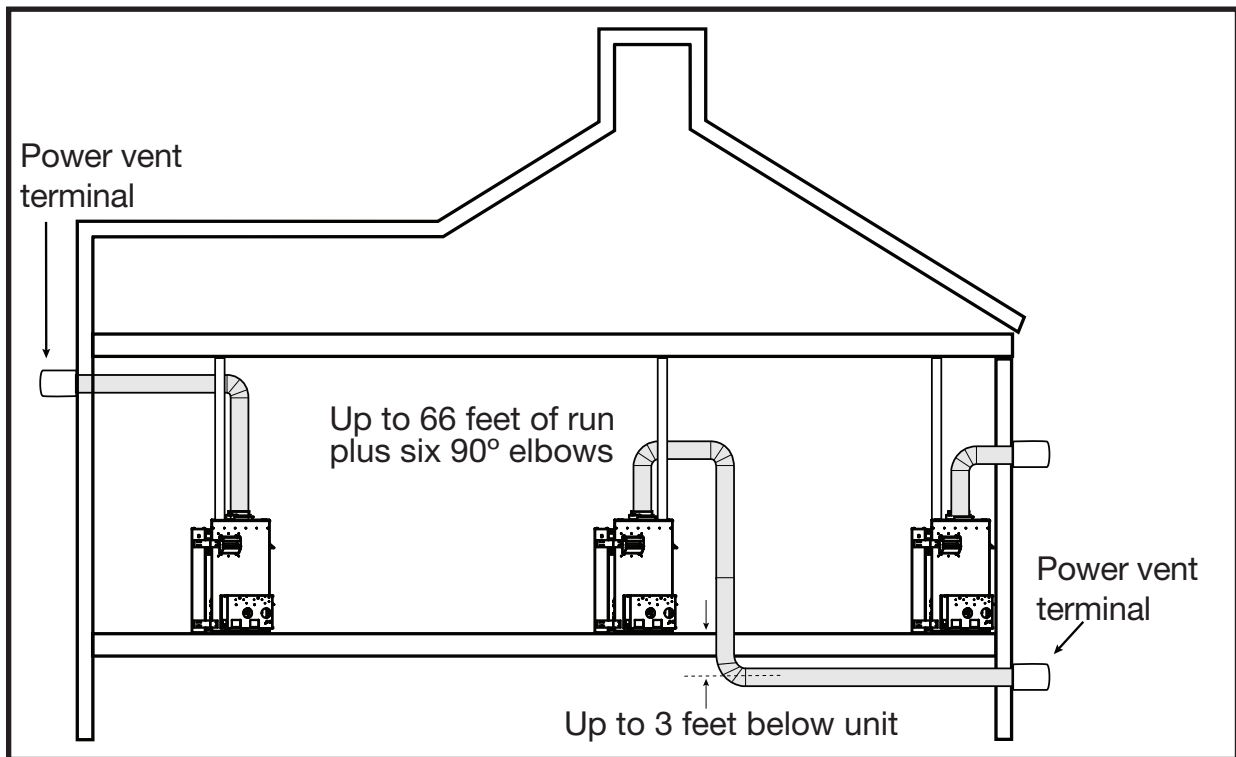


Figure 34: TC54D Optional venting.

Maximum vent length is 66 ft plus six 90 degree elbow or combination of other elbows equaling 90 degrees. Minimum vent length is 10 ft plus one 90 degree elbow. The vent can be installed with any combination of rise and run between the above figures including 3ft below the unit. Ensure vent pipe is properly supported.

The premium Power Vent fan runs quietly outside, at the exterior terminal.

# Vertical Termination Venting

Before installing vertical venting (roof termination) for this unit, the installer should read these instructions to insure that the proper vent configuration has been selected.

Use only Town and Country Termination kit:

TCVT.RTA - Roof Termination Kit

Vent system components approved for use with the Town and Country Fireplace are shown in the table below.

<b>Vent System Components</b>	<b>Town &amp; Country Code</b>
12" Pipe Length.....	TCVT.811X12
18" Pipe Length.....	TCVT.811X18
24" Pipe Length.....	TCVT.811X24
48" Pipe Length.....	TCVT.811X48
12" Adjustable Pipe Length.....	TCVT.811X12ADJ
45° Elbow .....	TCVT.811XLB45
Wall/Offset Support .....	TCVT.811XOS
*A minimum of 1 support every 4' must be used.*	
Roof Termination Kit .....	TCVT.RTA
Wall Shield / Ceiling Firestop.....	TCVT.THIMA
Roof Flashing, Adjustable .....	TCVT.811FLADJ
Roof Flashing, Flat .....	TCVT.811FLFLT
Roof Flashing, Steep .....	TCVT.811FLSTP
or any that fits 11" pipe	

**NOTE: A vertically vented TC54 cannot be power-vented**



# Roof Termination Venting Chart

Various combinations of vent runs may be used. Refer to for details. For optimum performance and flame appearance, keep the vent length to a minimum. Connections between each vent system component must be tightly joined, secured with sheet metal screws and sealed.

**CAUTION:**

**Under no condition should combustible material be closer than 1 3/4 inches from any part of the vent pipe.**

**Only 45° elbows can be used in this vent system. Maximum number of elbows is 2.**

Minimum total vent height for propane: 20 feet.

Minimum total vent height for natural gas: 10 feet.

Minimum 5' of vertical vent required before 1st elbow.

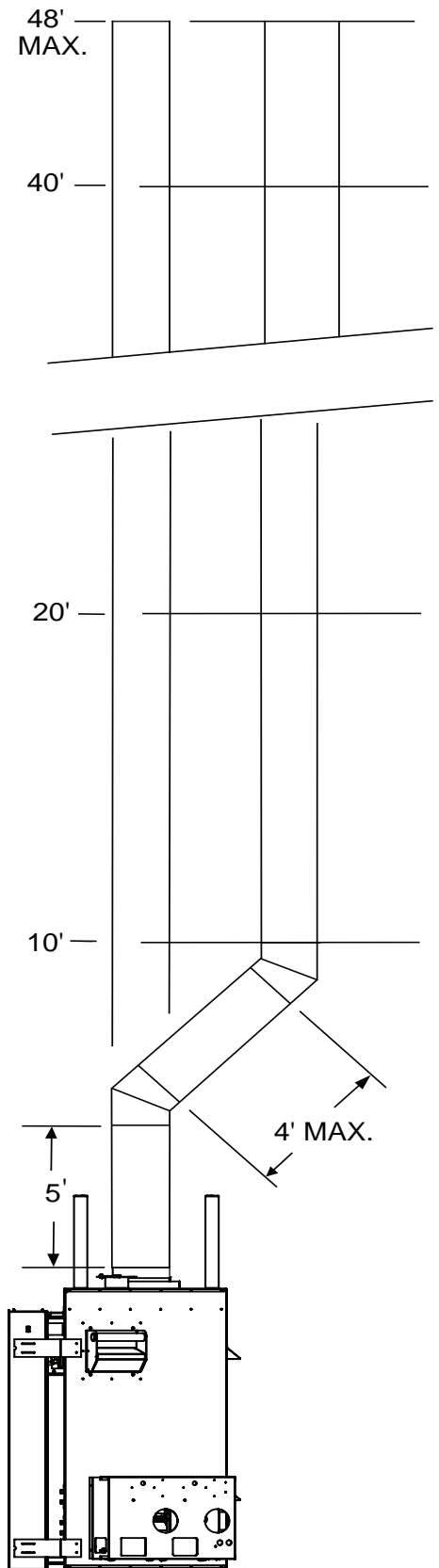


Figure 35: TC54D Vertical venting chart.

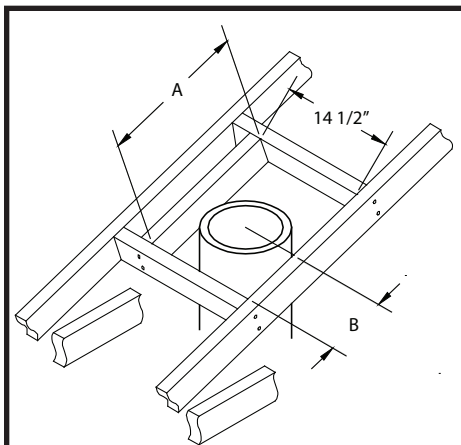


Figure 36: Roof opening frame.

**Size of the opening will have to increase with the pitch of the roof to ensure a 1 3/4" inch air space clearance between vent pipe and combustibles.**

Roof Pitch	A	B
0/12	14 1/2"	7 1/4"
4/12	16 1/2"	8 3/4"
6/12	18"	10"
8/12	19 3/4"	11"
12/12	24"	13 3/4"

### Ceiling Opening:

1. Determine the exact position of the fireplace so that the vent pipe is centred (if possible) between two building framing members. Lay out the vent system path, minimizing the number of elbows and length of vent. Consult your local building codes prior to proceeding.
2. Cut and frame a 14 1/2" opening in the floor, ceiling or roof where the vent system will pass. Size of the opening in the roof may need to be increased as the pitch of the roof increases. Avoid cutting rafters.

### Ceiling Firestop:

1. Where a vent pipe passes through a floor or ceiling, a ceiling firestop must be used to retain insulation and maintain proper clearances.
2. From below, push the ceiling firestop through the opening and secure in place. If the firestop is used to penetrate a floor, the outer shield may be trimmed in length. If the firestop penetrates into an attic, leave the shield full length to keep insulation away from the vent pipe. Additionally, after the vent pipe is in place, install a storm collar on top of the shield. This will prevent loose insulation from falling into the area between the vent pipe and the shield.

### Vent Pipe Installation:

1. Install the first section of vent pipe into the collar on top of the fireplace. Secure in place with screws and seal with approved "High Temperature" self-adhesive aluminium tape provided.
2. Continue adding vent pipe lengths up and through the firestop(s) and through the roof. The vent pipe must extend at least 12" above the roof. Vent pipe may need to extend further depending on the roof pitch. See table in (Figure 36) for precise lengths.
3. Seal the vent pipe as per "Vent Pipe Sealant" on page 23.

### Roof Support Bracket:

Slip the roof support bracket down over the vent pipe. Rotate the 90° brackets to accommodate roof pitch. Attach the brackets to the roof joists with nails or building screws. Tighten the band around the vent pipe and secure in place with screws.

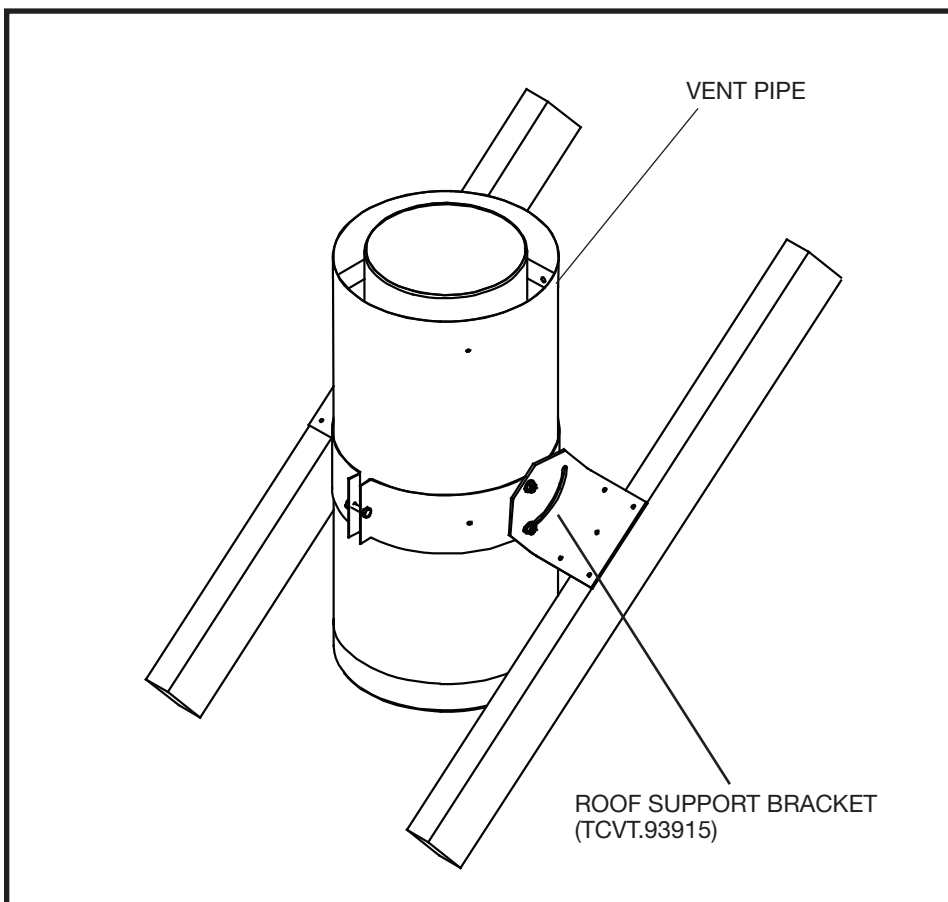


Figure 37: Roof support bracket.

## Vent Pipe Sealant

All outer joints of the vent pipe must be sealed with the approved "High Temperature" self-adhesive aluminium tape provided. Wrap the tape completely around the joint and press firmly in place.

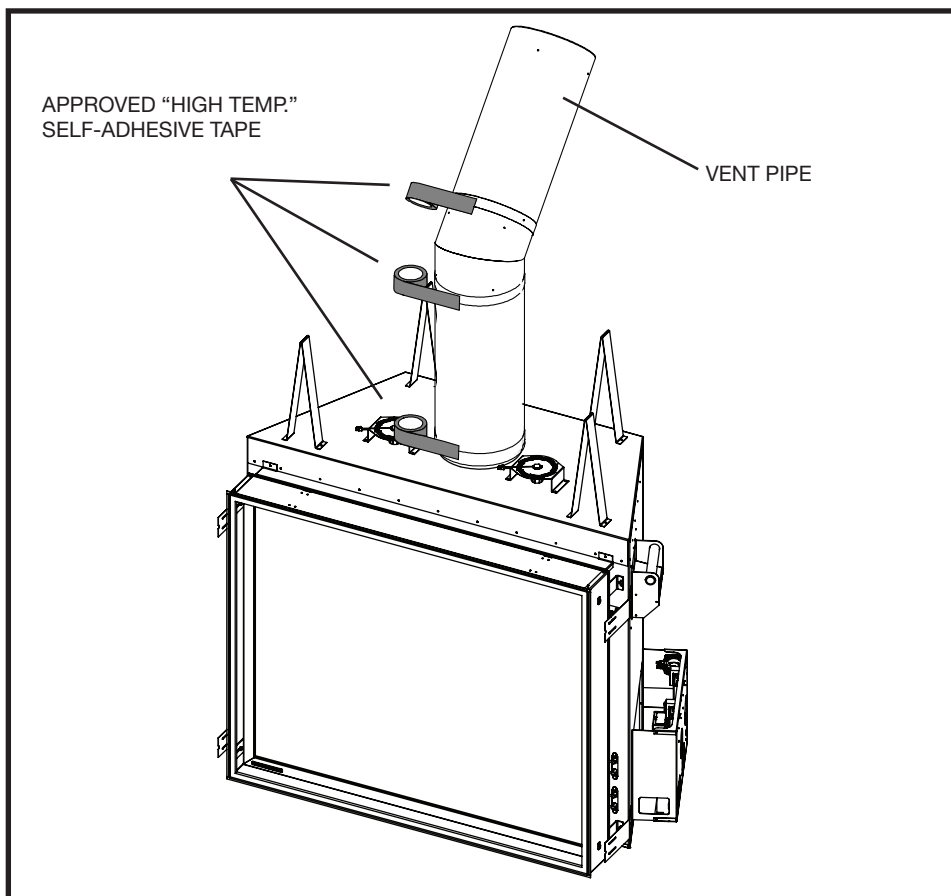


Figure 39: Sealing TC54D vent joints.

## Insulated Collar Shield

(Included Pt# TC36.9709)

After sealing the vent pipe, an insulating blanket and cover must be installed around the vent pipe. Place flush with the top of the unit and secure by fitting tabs through slots and bending over tabs 180° as shown in (Figure 38) The parts required are included.

**NOTE:** Bend tabs to 90° away from arc bend prior to installation to ease the process.

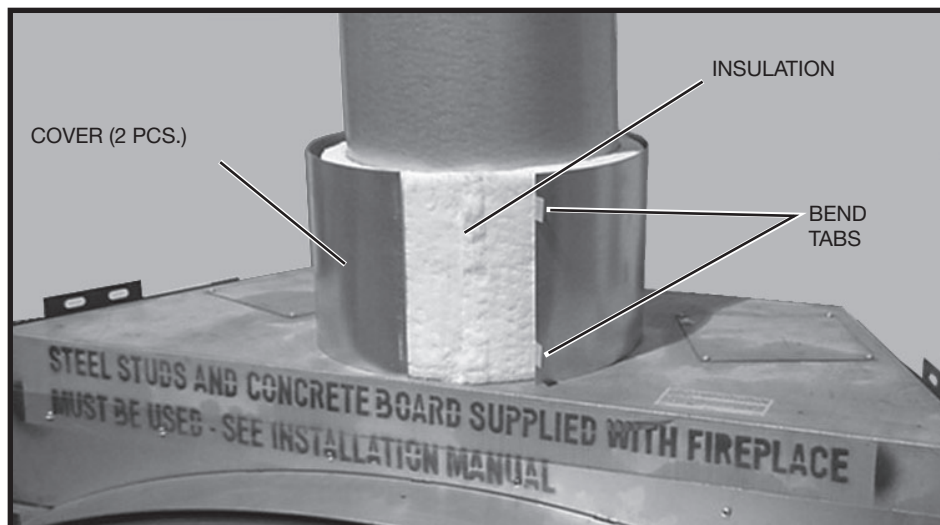


Figure 38: Collar shield.

## Roof Vent Terminal:

1. Place the roof flashing over the vent pipe, secure and seal it to the roof using the methods and materials appropriate for the type of roof on the building. Shingle roof example shown (Figure 40).
2. Place the storm collar down over the vent pipe until it is level. Tighten storm collar for a snug fit. Apply a thick horizontal ring of mastic around the pipe at top of the storm collar.
3. Lower the roof vent terminal cap over the vent pipe and secure in place with screws provided. Seal screw heads and joint with caulking to prevent any moisture entering the venting system.

**Note: Adjustable for various roof pitches, from flat roof to 12/12 pitch roof.**

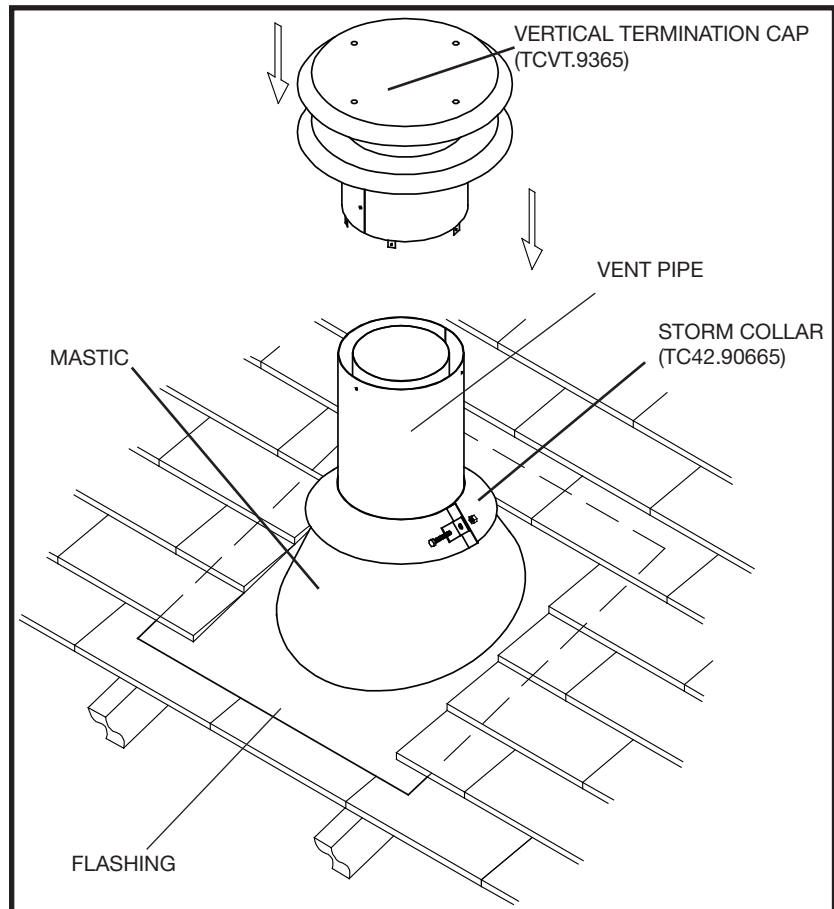


Figure 40: Roof vent terminal.

---

## Vent Terminal Clearance

---

Minimum clearances to the vent terminal must be maintained as shown in Figure 42 & Figure 42. Measure clearances to the nearest edge of termination hood.

**NOTE: Vent terminal must not be recessed**

**NOTE: LOCAL CODES OR REGULATIONS MAY REQUIRE DIFFERENT CLEARANCES.**

## Roof Pitch Table

Pitch Table	(minimum)	
	ft	m
Flat to 6/12	1.00	0.30
Over 6/12 to 7/12	1.25	0.38
Over 7/12 to 8/12	1.50	0.46
Over 8/12 to 9/12	2.00	0.61
Over 9/12 to 10/12	2.50	0.76
Over 10/12 to 11/12	3.25	0.99
Over 11/12 to 12/12	4.00	1.22

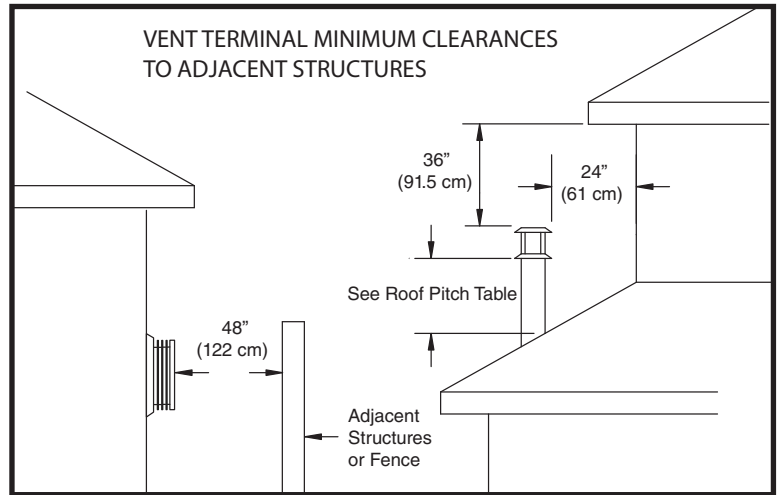


Figure 41: Vent roof clearance.

## Vent Terminal Minimum Clearances Table

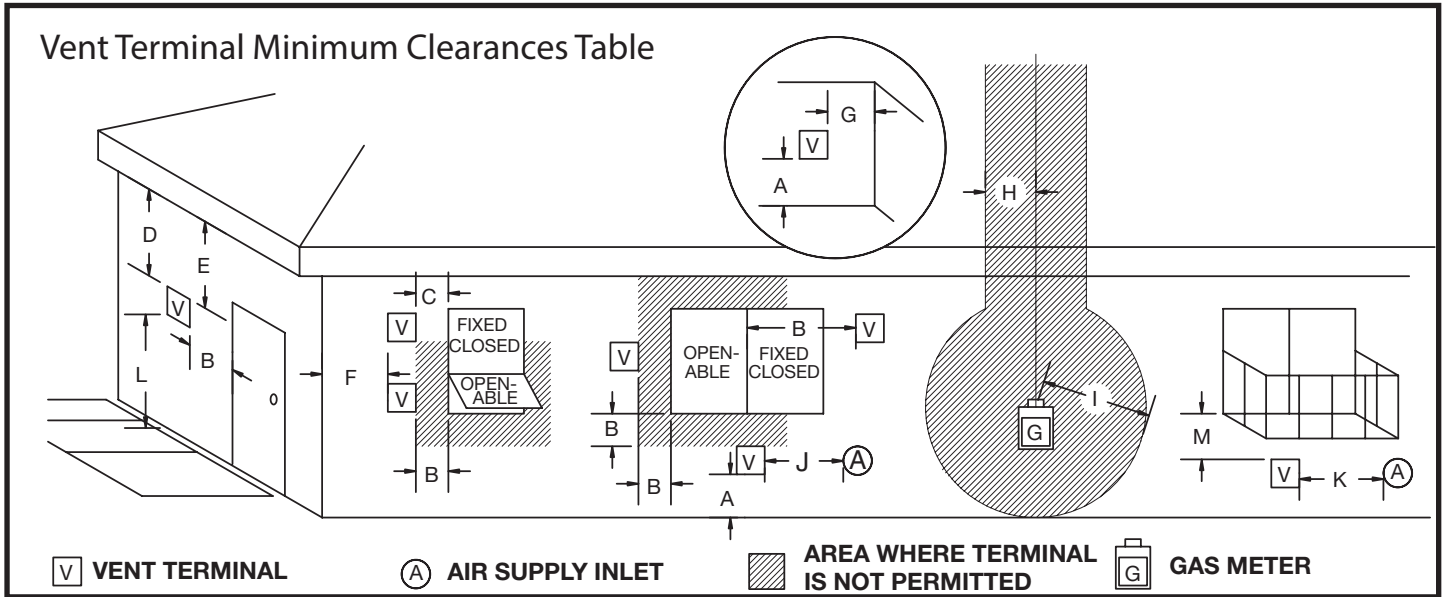


Figure 42: Vent terminal minimum clearances.

A=	*12 inches (30 cm) min.	Clearances above grade, veranda, porch, deck, or balcony
B=	*12 inches (30 cm) min.	Clearance to window or door that may be opened
C=	12 inches (30 cm) min.	Clearance to permanently closed window recommended to prevent condensation on window
D=	30 inches (76 cm) min.	Vertical clearance to ventilated soffit located above the terminal within a horizontal distance of 2 feet (60 cm) from the edge of the terminal
E=	30 inches (76 cm) min.	Clearance to unventilated soffit
F=	6 inches (15 cm) min.	Clearance to outside corner
G=	6 inches (15 cm) min.	Clearance to inside corner
H=	3 feet (90 cm) min.	*Not to be installed above a meter/regulator assembly within 3 feet (90 cm) horizontally from the center-line of the regulator
I=	*6 feet (1.8 m) min.	Clearance to service regulator vent outlet
J=	*12 inches (30 cm) min.	Clearance to non mechanical air supply inlet to building or the combustion air inlet to any other appliance
K=	*6 feet (1.8 m) min.	Clearance to a mechanical air supply inlet
L=	*7 feet (2.1 m) min.	^ Clearance above paved side-walk or a paved driveway located on public property
M=	**30 inches (76 cm) min	Clearance under veranda, porch, deck, or balcony

^ a vent shall not terminate directly above a side-walk or paved driveway which is located between two single family dwellings and serves both dwellings\*

\*\* only permitted if veranda, porch, deck, or balcony is fully open on a minimum of 2 sides beneath the floor\*

\* as specified in CGA B149 Installation Codes, Note: local Codes or Regulation may require different clearances

\* for U.S.A. Installations follow the current National Fuel Gas Code, ANSI Z223.1

# Vent Restrictor Adjustment

**CAUTION:**  
The vent restrictor must be fully open when using the power vent

The vent restrictor is located on the underside of the firebox top. The unit leaves the factory with the vent restrictor wide open. The restrictor is built into the appliance for secondary air flow adjustment. Adjustment enables tuning the airflow for optimum flame appearance and performance for a wide variety of vent configurations.

## Setting:

- Determine the vent height.
- Determine the vent horizontal length.
- From the chart determine the restrictor position.

Refer to the chart in Figure 43 for the correct position of restrictor for the vent configuration of your installation. Restrictor positions are based upon lab tests. The ideal position may vary slightly with installation.

Restrictor position is too closed if the flame has the following characteristics:

- Flame is excessively tall and lifting.
- Flame lacks movement.
- Flame soots.

Restrictor position is too open if the flame has the following characteristics:

- Flame height is low.
- Flame has excessive movement.

To adjust the restrictor:

- Loosen the screw holding the restrictor.
- Move the restrictor to its intended opening.
- Re-tighten the screw.

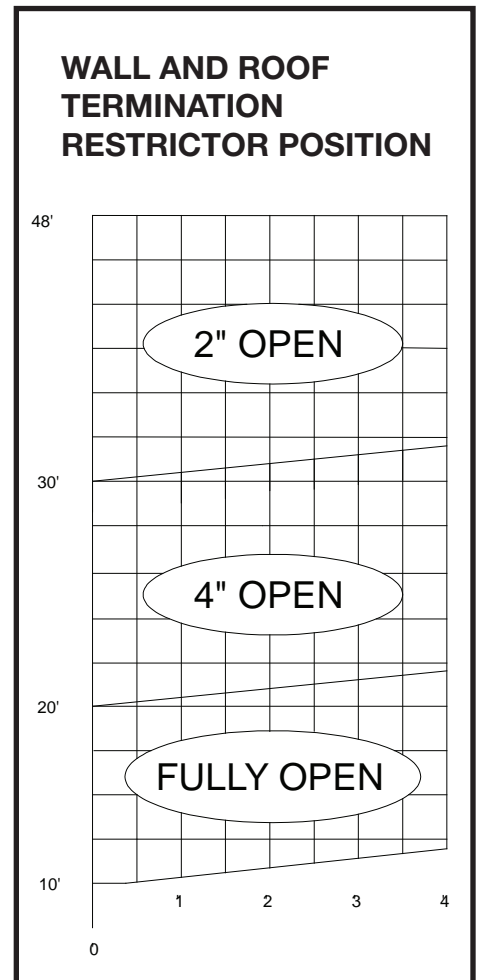


Figure 43: Restrictor rise and run chart.

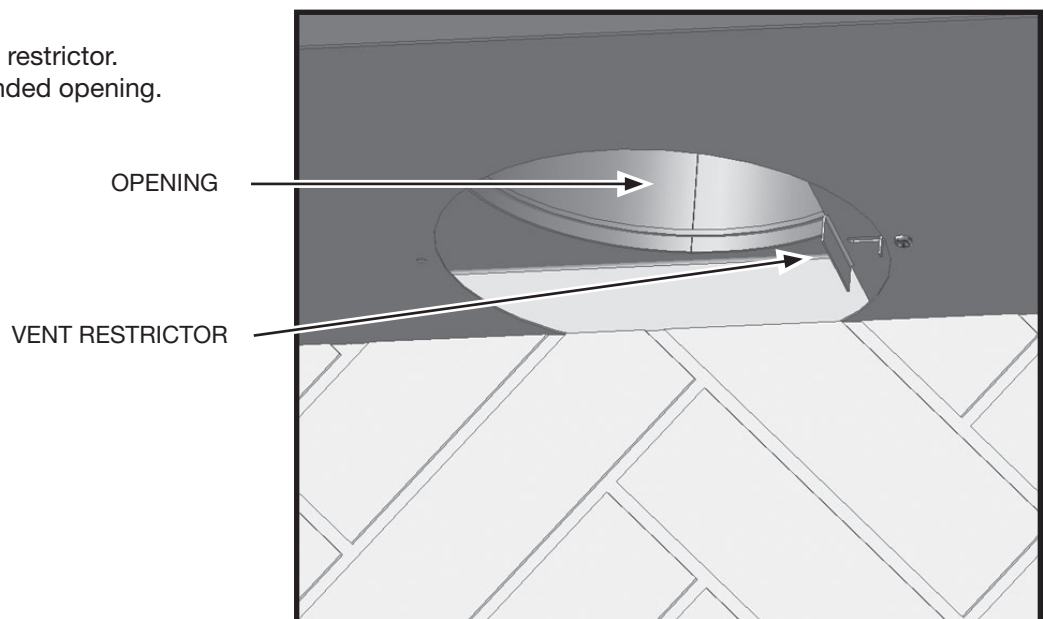


Figure 44: Vent restrictor.



# Roof Termination Kit

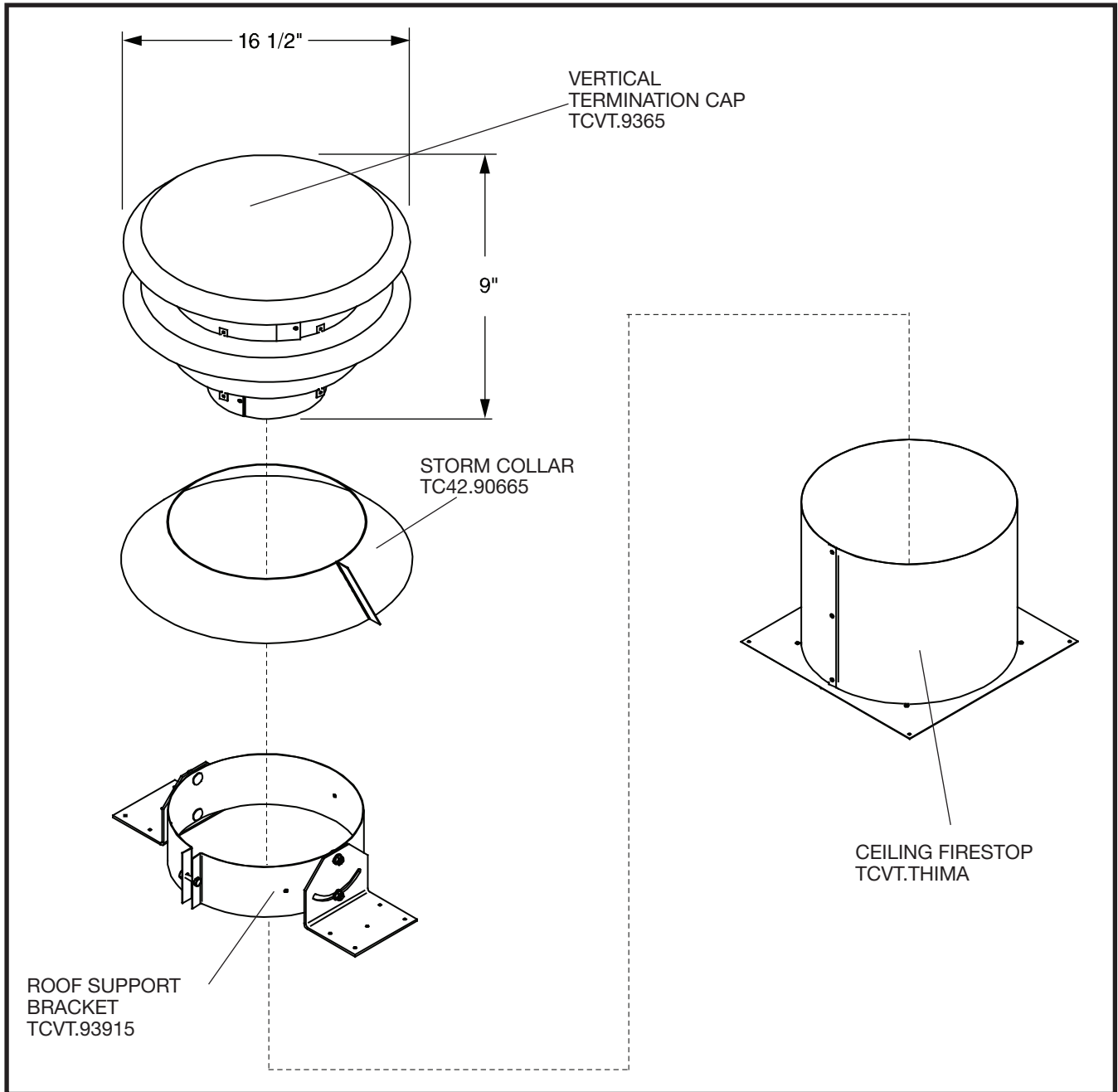


Figure 45: Roof termination kit.

# Vent Pipe Dimensions

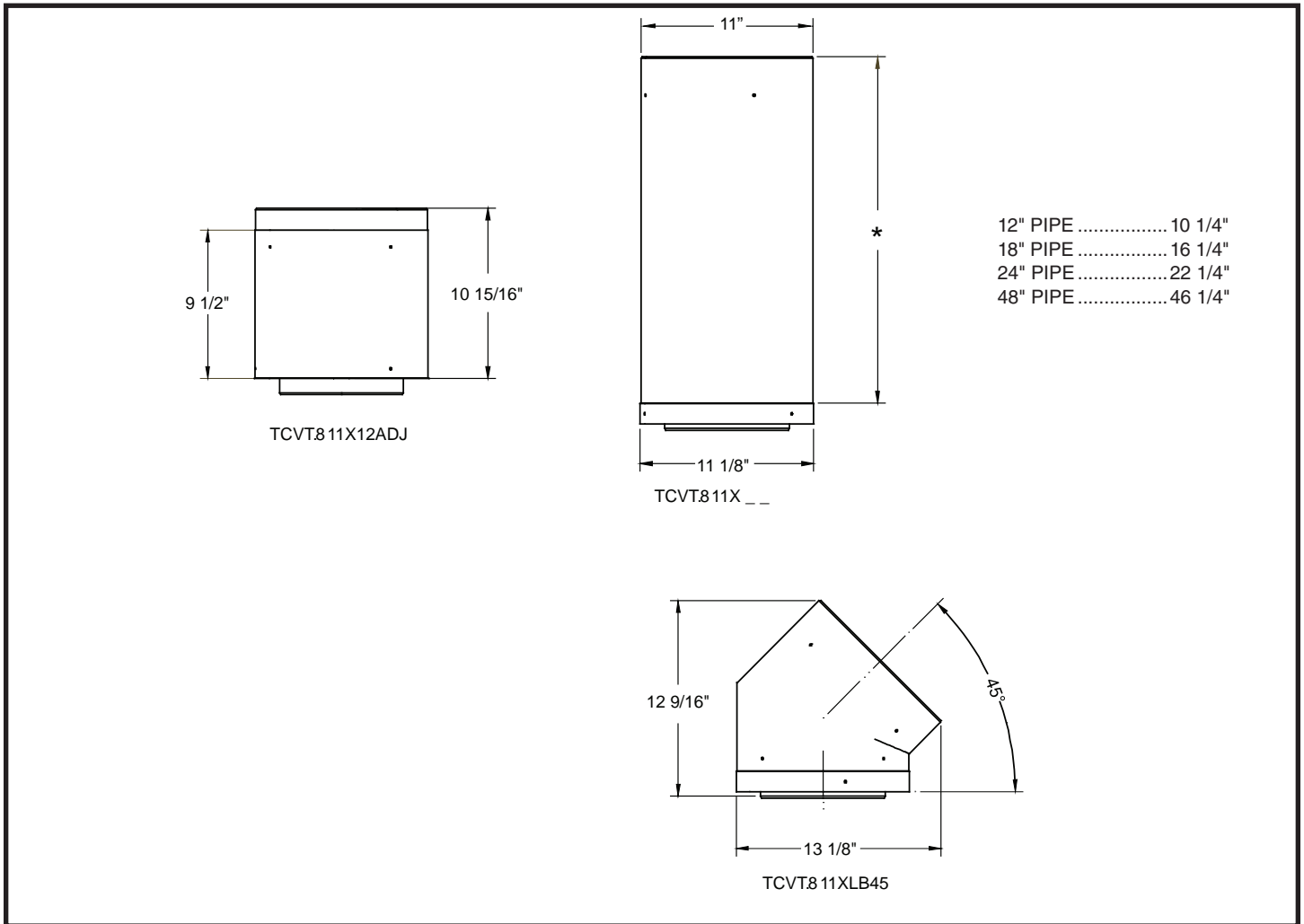


Figure 46: Vent pipe dimensions.

# Vent Offset Chart

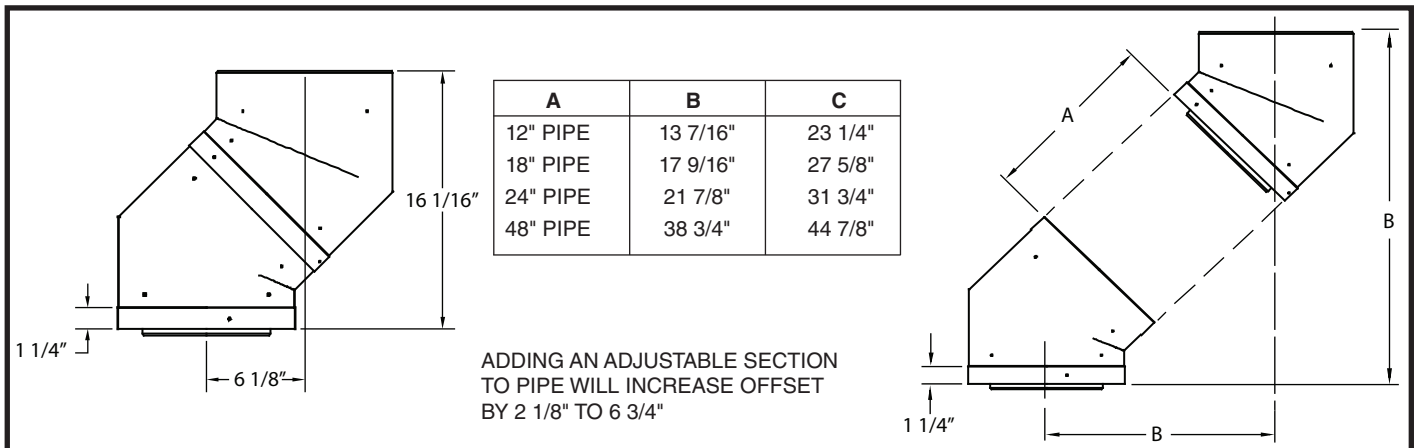


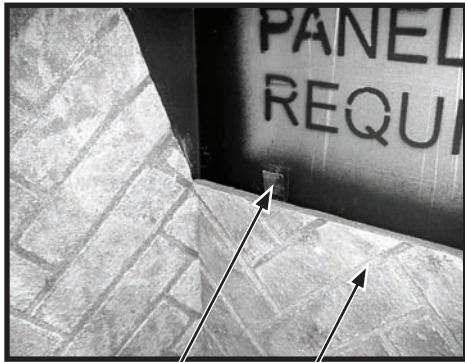
Figure 47: TC54 Vent offset chart.

# Firebox Panels Installation

## TC54 PANELS

PARK AVE. BEIGE HERRING BONE2 .....	TCPN.54PAC2
MOUNT VERNON RED BRICK2.....	TCPN.54VRC2
MANHATTAN STACKED BRICK2 .....	TCPN.54MNC2
BLACK PORCELAIN.....	TCPN.774.C
COFFEE BEAN BROWN PORCELAIN .....	TCPN.774CB.C
COPPER PORCELAIN.....	TCPN.774CU
TITANIUM PORCELAIN .....	TCPN.774TI

(See Porcelain panel instruction manual for specific instructions for these panels)



ADJUSTABLE "V" BRACKET  
REAR LOWER PANEL

Figure 48: Panel brackets.

The lower rear panel is held tight against the side panels by two "V" brackets located on the firebox rear wall. Although the brackets are adjusted at the factory for the best fit, some adjustment may be necessary. Adjust the angle of the bracket by hand to ensure a snug fit.

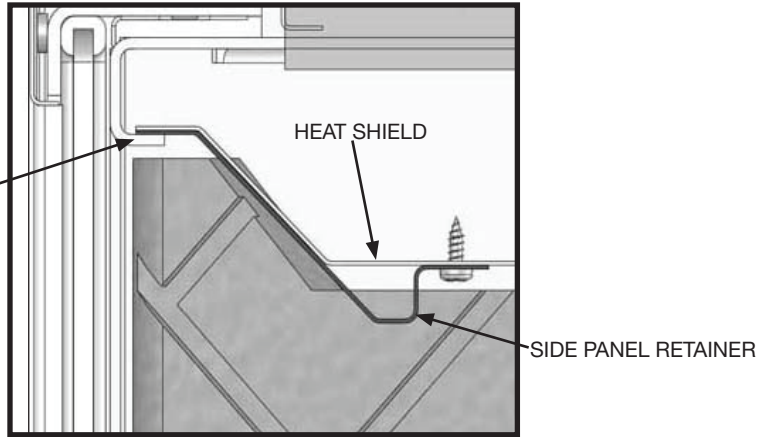


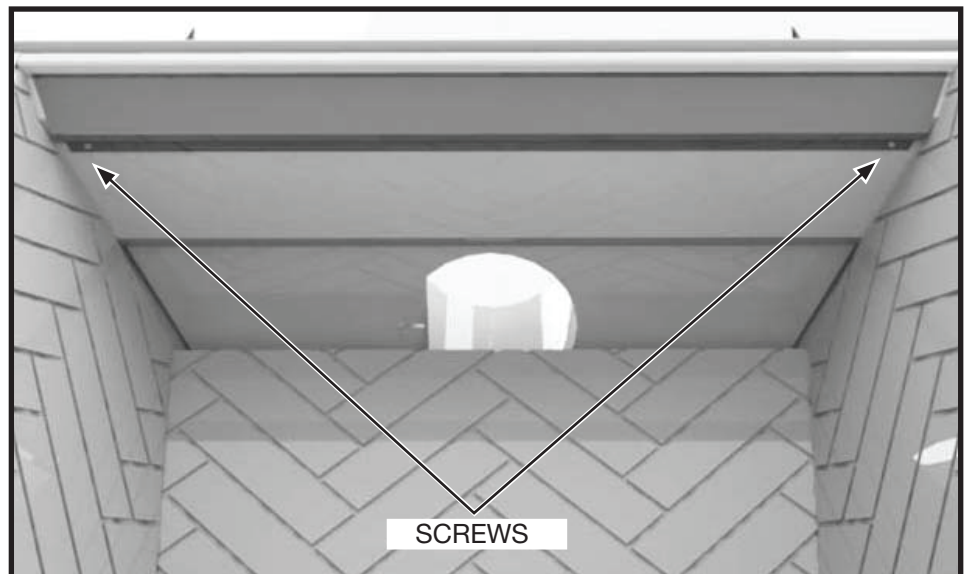
Figure 49: Side retainer.

A Firebox Panel Set must be installed for safe operation. Do not use the fireplace without panels. Unpack and inspect all panels. The panels need to be installed before the logs are in place.

**Caution:** The Firebox Panels are very fragile, and should be handled with care.

1. Remove the Side Panel Retainer (Figure 49) located on the underside of the firebox heat shield. The retainer slips between the lip of the firebox and the heat shield and is retained in place by two screws (Figure 50).
2. Install the Lower Rear Panel

Figure 50: Retainer panel screws location.



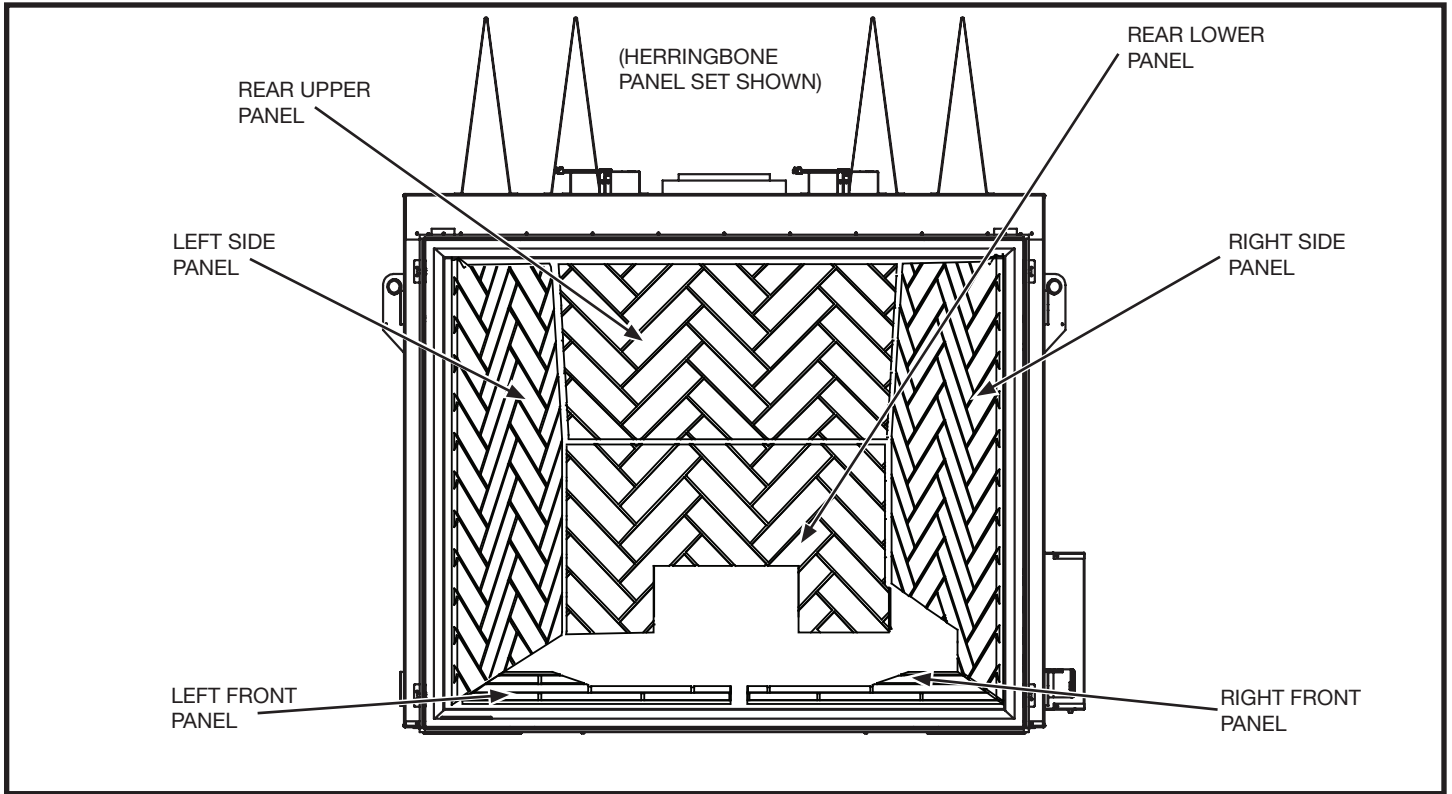
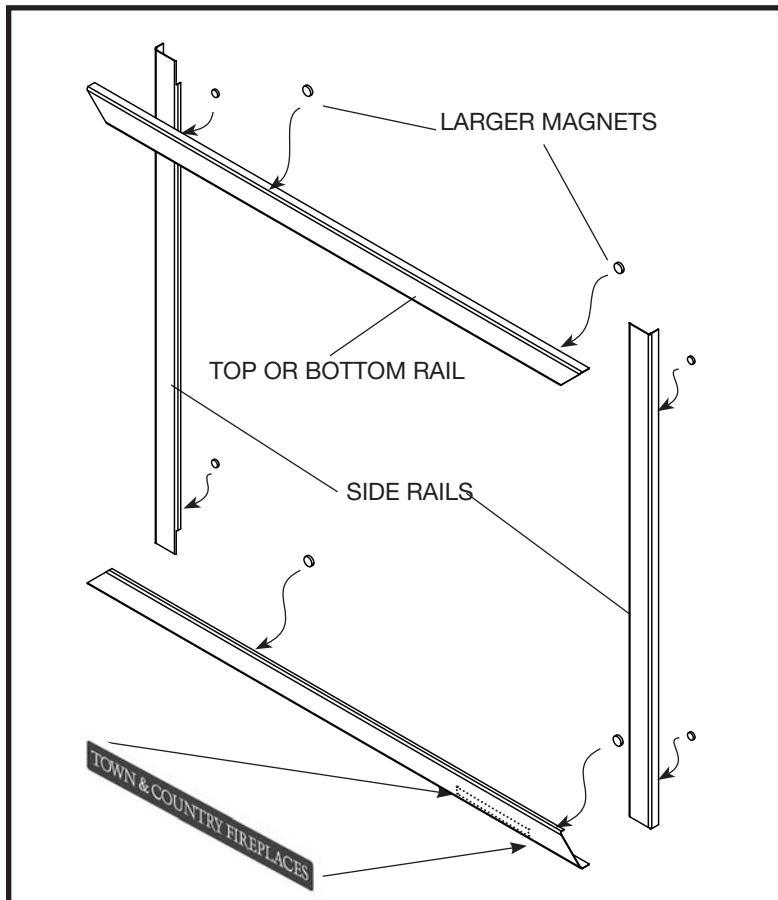


Figure 51: Panel locations.

## Finishing Touch Trim Kit Instructions



1. Place two smaller magnets on back of each side rail.
2. Place two larger magnets on back of the top and bottom rails.
3. Attach the side rails. Even the ends up with the door frame.
4. Attach the top and bottom rails and adjust so mitres are even at the corners.
5. Place the magnetic Town & Country logo in the bottom right corner.

Figure 52: Trim kit components.

# Lighting Instructions

## FOR YOUR SAFETY READ BEFORE LIGHTING

**WARNING:** If you do not follow these instructions exactly, a fire or explosion may result causing property damage, personal injury or loss of life.

- A. This appliance is equipped with an ignition device which automatically lights the pilot. Do not try to light the pilot by hand.
- B. BEFORE LIGHTING smell all around the appliance area for gas. Be sure to smell next to the floor because some gas is heavier than air and will settle on the floor.
- WHAT TO DO IF YOU SMELL GAS:**
- Do not try to light any appliance.
  - Do not touch any electric switch; do not use any phone in your building.

- Immediately call your gas supplier from a neighbour's phone. Follow the gas supplier's instructions.
  - If you cannot reach your gas supplier, call the fire department.
- C. Use only your hand to push in or turn the gas control knob. Never use tools. If the knob will not push in or turn by hand, don't try to repair it, call a qualified service technician. Force or attempted repair may result in a fire or explosion.
- D. Do not use this appliance if any part has been under water. Immediately call a qualified service technician to inspect the appliance & to replace any part of the control system & any gas control which has been under water.

## LIGHTING INSTRUCTIONS

1. STOP! Read the safety information above on this label.
2. This appliance is equipped with an ignition device which automatically lights the pilot. Do not try to light the pilot by hand.
3. Push the "On/ Off" switch to turn the fireplace ON.
  - If the burner does light go to step 6.
  - If the burner does not light, complete steps 4 through 5.
  - If the burner will not light or stay lit after several tries, push the "On/ Off" switch for the fireplace to OFF, turn off all electric power

- to the fireplace and call your service technician or gas supplier.
- Note: Sufficient time must be allowed for air to escape from lines if the unit is being lit for the first time.
4. Push the "On/ Off" switch to the fireplace Off.
  5. Allow sufficient length of time (minimum 5 minutes) for any gas in the combustion chamber to escape. If you still smell gas, STOP! Follow "B" in the safety information above on this label. If you don't smell gas, go to step 3.
  6. Set fireplace to desired setting by using hand held remote.

## TO TURN OFF GAS APPLIANCE

1. Push the "on/ off" switch to the "Off" position.

2. Turn off all electric power to the appliance and remove backup batteries if service is to be performed or for extended shutdown.

Due to high surface temperatures, keep children, clothing and furniture away. Keep burner and control compartment clean. See installation and operating instructions accompanying the appliance.

A cause de la température élevée des parois, tenir éloignés les enfants, les vêtements et les meubles. Maintenir propres le brûleur et le compartiment de commande. Voir les instructions relatives à l'installation et au fonctionnement qui accompagnent l'appareil.

**CAUTION:** Hot while in operation. Do not touch. Severe burns may result. Keep children, clothing, furniture, gasoline and other liquids having flammable vapours away. Keep burner and control compartment clean. See installation and operating instructions accompanying the appliance.

**ATTENTION:** L'appareil est chaud lorsqu'il fonctionne. Ne pas toucher l'appareil. Risque de brûlures graves. Surveiller les enfants. Garder les vêtements, les meubles, l'essence ou autres liquides produisant des vapeurs inflammables loin de l'appareil. S'assurer que le brûleur et le compartiment des commandes sont propres. Voir les instructions d'installation et d'utilisation qui accompagnent l'appareil.

090713

5051.185

GBWY

---

## First Fire

---

When lit for the first time, the fireplace will emit a slight odor for a couple of hours. This is due to the curing of paints, sealants and lubricants used in the manufacturing process. This condition is temporary. Open doors and windows to ventilate area. Odors caused by the curing process may cause discomfort to some individuals.

It is normal for fireplaces fabricated of steel to give off some expansion and/or contraction noises during the start up or cool down cycle. Similar noises are found with your furnace heat exchanger or cook stove oven.

---

## Special Operator Note

---

**NOTE:** Fireplace may take up to 30 seconds to ignite each time the “ON” button has been selected.

---

## Remote Control Operation

---



Figure 53: Proflame 2 handset.



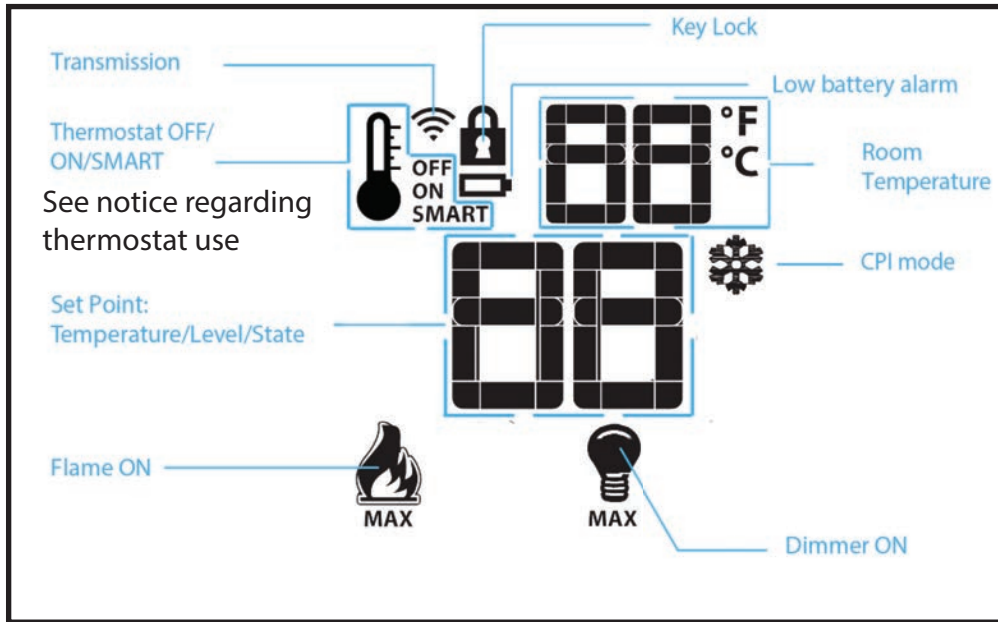


Figure 54: Proflame 2 LCD screen details.

**NOTICE:** The thermostat function is disabled by default. Thermostat function is not permissible in the USA but is permissible in Canada. Instructions for enabling the thermostat function in Canada, see "" on page 36.

### Attention!

Turn off the main gas supply for the appliance during installation or maintenance of the receiver/module device.

Turn off main gas supply for the appliance prior to removing or reinserting the batteries.

In case of remote control malfunction, turn off the fireplace using the "on/off" main switch located on the wall.

For installation/maintenance, turn off the fireplace at the on/off switch located on the wall and at the fireplace power supply circuit breaker.

## Fireplace Description

The Proflame 2 Remote Control Fireplace consists of three elements:

1. Proflame 2 Remote Control Transmitter.
2. Proflame Integrated Fireplace Control (IFC) board and a wiring harness to connect the IFC to the gas valve and stepper motor Figure 24 on page 15.
3. Wall mounted Remote Control Receiver Figure 25 on page 16.

### Transmitter (Remote Control with LCD Display)

The Proflame 2 Transmitter uses a streamline design with a simple key layout and an informative LCD display (Figure 53). The remote control transmitter is powered by 3 AAA batteries. A mode key is provided to index between the features and a thermostat key is used to turn on/off or index through thermostat functions (Figure 54).

### IFC Module

The Proflame 2 Integrated Fireplace Control (IFC) module is a device that allows automatic ignition and pilot flame supervision and commands the functions of the fireplace. It's configured to control the ON/OFF main burner operation, giving the choice of both IPI (intermittent pilot ignition), and CPI (continuous pilot ignition) modes. The Proflame 2 IFC module controls and connects directly to the pilot assembly and the automatic valve using low electric power.

The IFC module can be powered by both an AC power supply, and battery pack for back up. The Proflame 2 offers the added ability to control the comfort fan speed from OFF through six (6) speeds, and a remotely actuated auxiliary outlet and a dimmable light outlet. The external batteries can provide DC power to the IFC allowing the batteries to be used only when line power is interrupted or lost, and if the fireplace does not use a combustion fan.

## Operating Procedure

### Initializing the Fireplace for the first time

1. With the fireplace main circuit breaker in the OFF position, Install 4 AA batteries into the Town & Country wall switch battery holder (Figure 56) located behind the wall switch face plate. Make sure that the selection switch is on the "Remote" setting.
2. Install 3 AAA batteries into the Proflame 2 Remote Control Transmitter (Figure 58).
3. Turn ON the fireplace main circuit breaker and open the gas supply line (if valve is present and accessible).
4. Insert a straightened paper clip into the opening marked "Program" of the Town & Country wall switch (Figure 57) and press the program key once. The IFC module, also located on the inside of the fireplace enclosure, will beep 3 times indicating that it is ready to synchronize with a remote control transmitter.
5. On the remote control transmitter, push the power on key once. The remote control transmitter will beep 4 times to indicate that the remote control transmitter and the IFC module are now synchronized. The remote control transmitter is now ready to use.

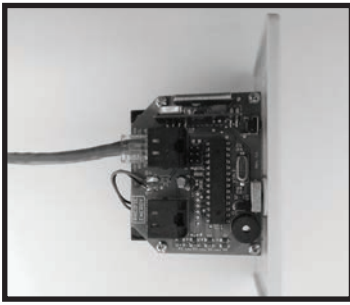


Figure 55: Wall switch - interface side.

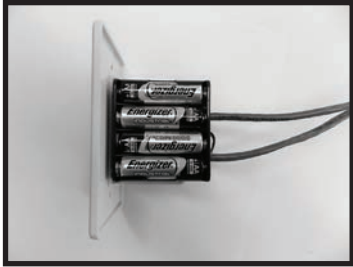


Figure 56: Wall switch - battery side.



Figure 57: Town & Country wall switch.



Figure 58: Proflame 2 remote control battery holder.

## Using the Remote Control Transmitter

### Temperature indication Display

With the remote control transmitter in the “OFF” position, press the thermostat and mode keys at the same time. Look at the LCD screen on the remote control transmitter to verify that a F (Figure 59) or C (Figure 60) is visible to the right of the room temperature display.

### Turn on the Fireplace

With the fireplace OFF, press the ON/OFF key on the remote control transmitter. The remote control transmitter display will show the active icons on the screen. At the same time the wall switch will activate the fireplace via the IFC module. A single “beep” from the IFC module will confirm reception of the command.

### Turn off the Fireplace

With the fireplace ON, press the ON/OFF key on the remote control transmitter. The remote control transmitter LCD display will only show the room temperature (Figure 59) or (Figure 60). At the same time the IFC module will turn off the fireplace. A single “beep” from the IFC module confirms reception of the command.

### Manual Bypass of the Remote Fireplace

If the batteries of the remote control transmitter are low or depleted, the fireplace can be turned off manually using ON/OFF switch located on Town & Country wall switch. This will bypass the remote control transmitter.

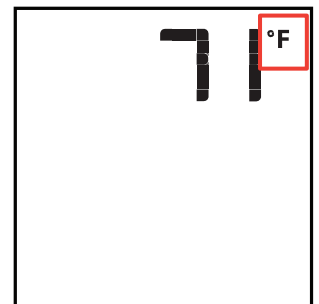


Figure 59: Proflame 2 Fahrenheit screen.

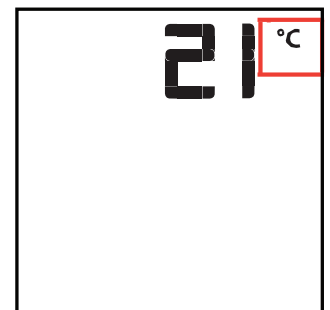


Figure 60: Proflame 2 Celcius screen.

## Remote Flame Control

The Proflame 2 has six (6) flame levels. With the fireplace turned on, and the flame level at maximum height, press the down arrow key once (Figure 61) to reduce the flame height by one step until the flame is turned off.

The up arrow key will increase the flame height each time it is pressed. If the up arrow key is pressed while the fireplace is on but the flame is off, the flame will come on in the high position. A single “beep” will confirm reception of the command.

## ROOM THERMOSTAT (Transmitter Operation)

The remote control transmitter can operate as a room thermostat. The thermostat can be set to a desired temperature to control the comfort level in a room. To activate this function, press the thermostat key (Figure 53). The LCD display on the remote control transmitter will change to show that the room thermostat is “ON” and the set temperature is now displayed (Figure 62). To adjust the set point, press the up or down arrow keys until the desired set point temperature is displayed on the LCD screen of the remote control transmitter.

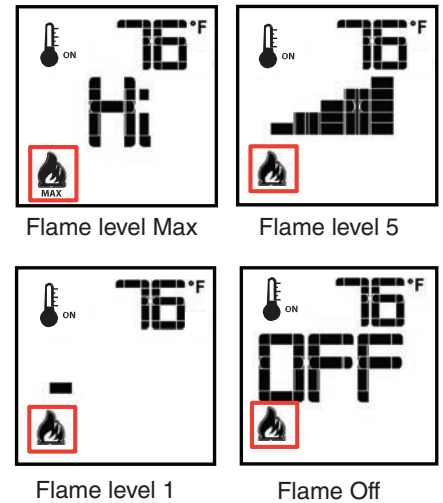


Figure 61: Flame level control.

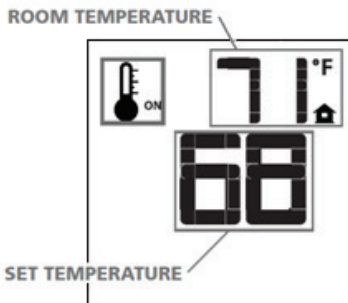


Figure 62: Room temperature control.

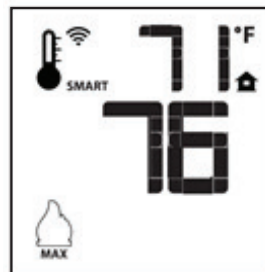


Figure 63: Smart flame function.

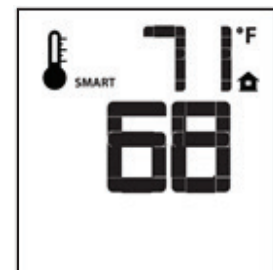


Figure 64: Smart flame function set low.

## Smart Thermostat (Transmitter Operation)

The Smart Thermostat function adjusts the flame height in accordance to the difference between the set point and the room temperatures. As the room temperature gets closer to the set point, the Smart Function will modulate the flame down. If the room temperature is cool, the Smart Function will modulate the flame up. To activate this function, press the THERMOSTAT button (Figure 53) until the word “SMART” appears to the right of the temperature icon (Figure 63). To adjust the set point, press the up or down arrow buttons until the desired set point temperature is displayed on the LCD screen of the remote control transmitter.

## Instructions for enabling the Thermostat function for Canadian users.

The thermostat key (Figure 53) on the remote handset needs to be held down. Keep it pressed down and remove one of the three batteries from the remote handset. Simply re-install the battery that was removed and the feature is activated. Use the same procedure to disable the thermostat function.

### Remote dimmer control (Light)

The auxiliary function controls the AUX power outlet by the dimmable light control. To activate this function use the Mode Key (Figure 53) to index to the light bulb icon (Figure 65). The intensity of the output can be adjusted through six (6) levels. Use the Up/Down Arrow Keys on the remote control handset to adjust the output level. A single “beep” will confirm reception of the command.

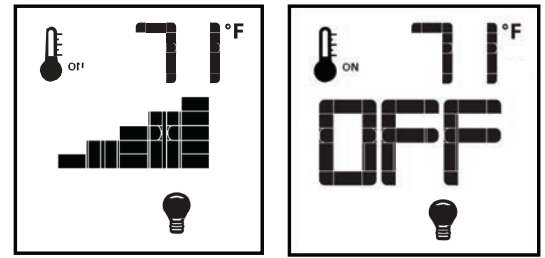


Figure 65: Dimmer light control.

### Continuous Pilot/Intermittent Pilot (CPI/IPI) selection

With the system in the “OFF” position, press the Mode Key (Figure 53) to index to the IPI or CPI mode icon (Figure 66). Pressing the Up Arrow Key will activate the Continuous Pilot Ignition mode (CPI). Pressing the Down Arrow Key will return to IPI. A single “beep” will confirm the reception of the command.

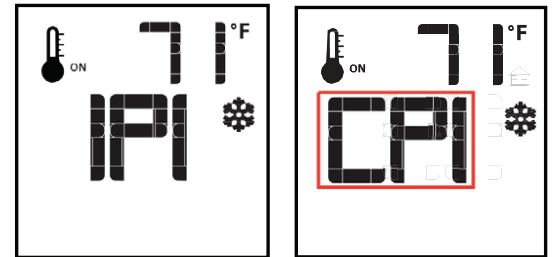


Figure 66: IPI - CPI control.

### Key Lock

This function will lock the keys to avoid unsupervised operation. To activate this function, press the MODE and UP keys at the same time (Figure 54) The lock icon will appear (Figure 67). To de-activate this function, press the MODE and UP key at the same time.

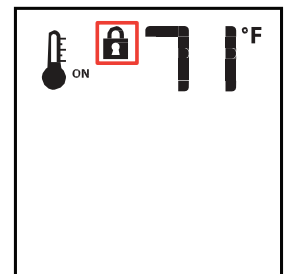


Figure 67: Key lock.

### Low Battery Power Detection Transmitter

The life span of the remote control batteries depends on various factors: quality of the batteries used, the number of ignitions of the Heater, the number of changes to the room thermostat set point, etc.

When the remote batteries are low, an icon will appear on the LCD display of the remote (Figure 68) before all battery power is lost. When the batteries are replaced this icon will disappear.

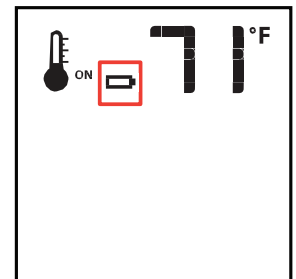


Figure 68: Low battery icon.

### Receiver

The life span of the IFC module batteries depends on various factors: quality of the batteries used, the number of ignitions of the Heater, the number of changes to the room thermostat set point, etc.

When the IFC batteries are low, a “double-beep” will be emitted from the IFC module when it receives a command from the remote. This is an alert for a low battery condition for the IFC board. When the batteries are replaced, a single “beep” will be emitted from the IFC module when a key is pressed, see "Initializing the Fireplace for the first time" on page 34.

# Maintenance

## CAUTION:

Turn off gas and electrical power supply (if applicable) and allow ample time for unit to cool before servicing appliance. It is recommended that the fireplace and its venting should be inspected at least once a year by a qualified service person.

## Glass Panel:

**Warning:** Do not operate fireplace with glass panel removed, cracked or broken. Replacement of the glass panel should be done by a licensed or qualified service person.

Do not strike or otherwise impact the glass in anyway that may cause it to break. If the glass becomes cracked or broken it must be replaced before using the fireplace. Replacement glass can be obtained from your nearest Town & Country Fireplaces™ dealer. The size required is 52" x 42" x 5mm. Use ceramic glass only. Do not substitute with any other type.

To remove broken glass, remove window frame as noted in "Window Frame Removal" section.

Unclip the Glass Retainer Clips located at the top and sides of the Window Frame. Pull the top edge of the glass out of the frame first, then lift it up and out of the bottom edge.

Install the new piece of glass with the gasket into the frame so that the thicker bead of gasket faces the fireplace.

Re-install glass retaining clips.

## Annual Inspection:

- a) Remove glass panel and inspect the decorative burner media (such as logs, pebbles, glass etc) for soot build up. If excessive build up of soot is present, have a qualified service person inspect and adjust the unit for proper combustion. Clean the decorative media and use a brush or vacuum cleaner to clean the burner, paying close attention to the burner ports.
- b) Check the pilot system for proper flame size and operation. Clean pilot free of soot, dust or any other deposits (Figure 69).
- c) Check that the vent pipe and vent terminal are open and free from blockage or debris. If the venting is disassembled for cleaning, it must be properly assembled and re-sealed. Refer to VENTING section for proper procedure.
- d) Check glass panel gasket, replace if necessary. It is important that the glass seal be maintained in good condition.
- e) Check and replace batteries as needed.

**Note:** The appliance area must be kept clear and free from combustible materials, gasoline and other flammable vapours and liquids.

## Periodically:

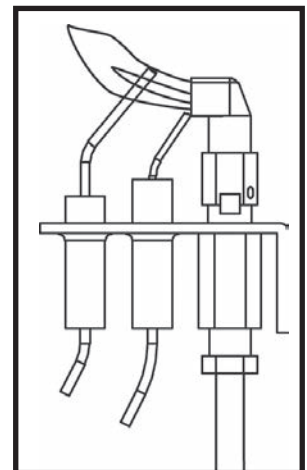
- a) Viewing glass may be cleaned as necessary with fireplace glass cleaner.
- b) Exterior finish may be cleaned with mild soap and water.

## CAUTION:

Do not use abrasive cleaners on glass or any other part of the fireplace.

Do not clean glass when hot.

Figure 69: Pilot assembly.

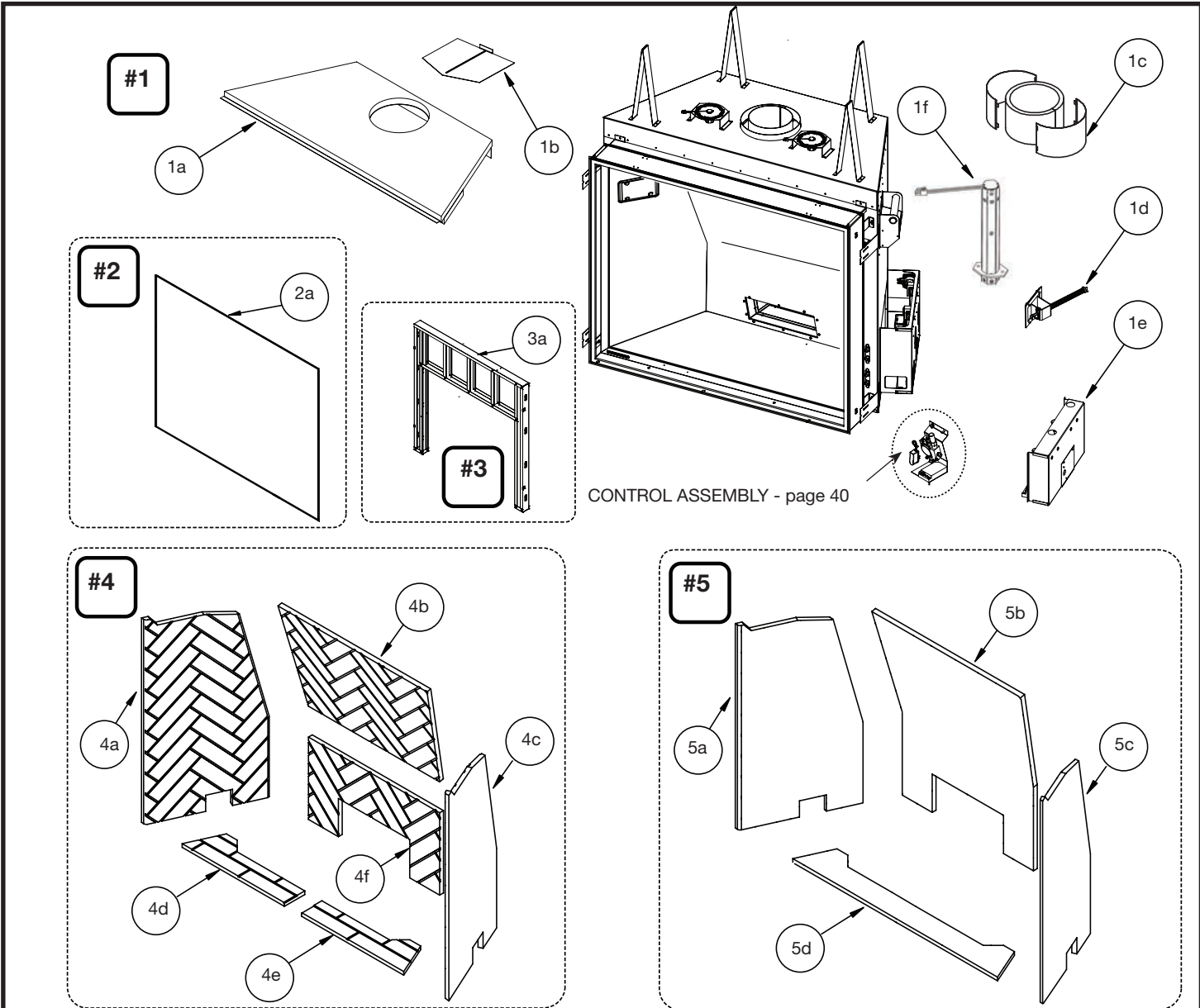




# Replacement Parts

(WHEN ORDERING, INCLUDE PART NUMBER WITH DESCRIPTION)

ITEM	DESCRIPTION	PART NO.	ITEM	DESCRIPTION	PART NO.
#1	TC54 BODY ASSY .....	TC54.D	#3	FRAMING KIT.....	TC54. 8167-A
#2	GLASS ASSY .....	GLAS.2054ASSY		PARK AVE. BEIGE HERRING BONE 2 .....	TCPN.54PAC2
				MOUNT VERNON RED BRICK2 .....	TCPN.54VRC2
				MANHATTAN STACKED BRICK2 .....	TCPN.54MNC2
				BLACK PORCELAIN .....	TCPN.774.C
				COFFEE BEAN BROWN PORCELAIN .....	TCPN.774CB.C
				COPPER PORCELAIN.....	TCPN.774CU
				TITANIUM PORCELAIN.....	TCPN.774TI



CONTROL ASSEMBLY - page 40

**KIT CONTENTS:**

- |                                     |                                    |                           |                                 |
|-------------------------------------|------------------------------------|---------------------------|---------------------------------|
| #1 TC54 BODY ASSEMBLY               | #2 GLASS ASSEMBLY                  | #4 PANEL SETS             | #5 PORCELAIN PANEL SETS         |
| 1a. FIREBOX SHIELD (c/w insulation) | 2a. REPLACEMENT GLASS (c/w gasket) | 4a..... PANEL, LEFT SIDE  | 5a..... PANEL, LEFT SIDE        |
| 1b..... FLUE DAMPER                 | #3 FRAMING KIT                     | 4b..... PANEL, UPPER      | 5b..... PANEL, UPPER/LOWER REAR |
| 1c..... COLLAR SHIELD               | 3a..... STEEL STUDS                | 4c..... PANEL, RIGHT SIDE | 5c..... PANEL, RIGHT SIDE       |
| 1d..... SPRING LATCH ASSEMBLY(2)    |                                    | 4d..... PANEL, LEFT BASE  | 5d..... PANEL, LEFT /RIGHT BASE |
| 1e.. CONTROL ASSEMBLY HOLDER        |                                    | 4e..... PANEL, RIGHT BASE |                                 |
| 1f..... LED LIGHT ASSEMBLY          |                                    | 4f..... PANEL, LOWER BACK |                                 |

BRICK PANEL RETAINER (not shown)

# Replacement Parts – Control System

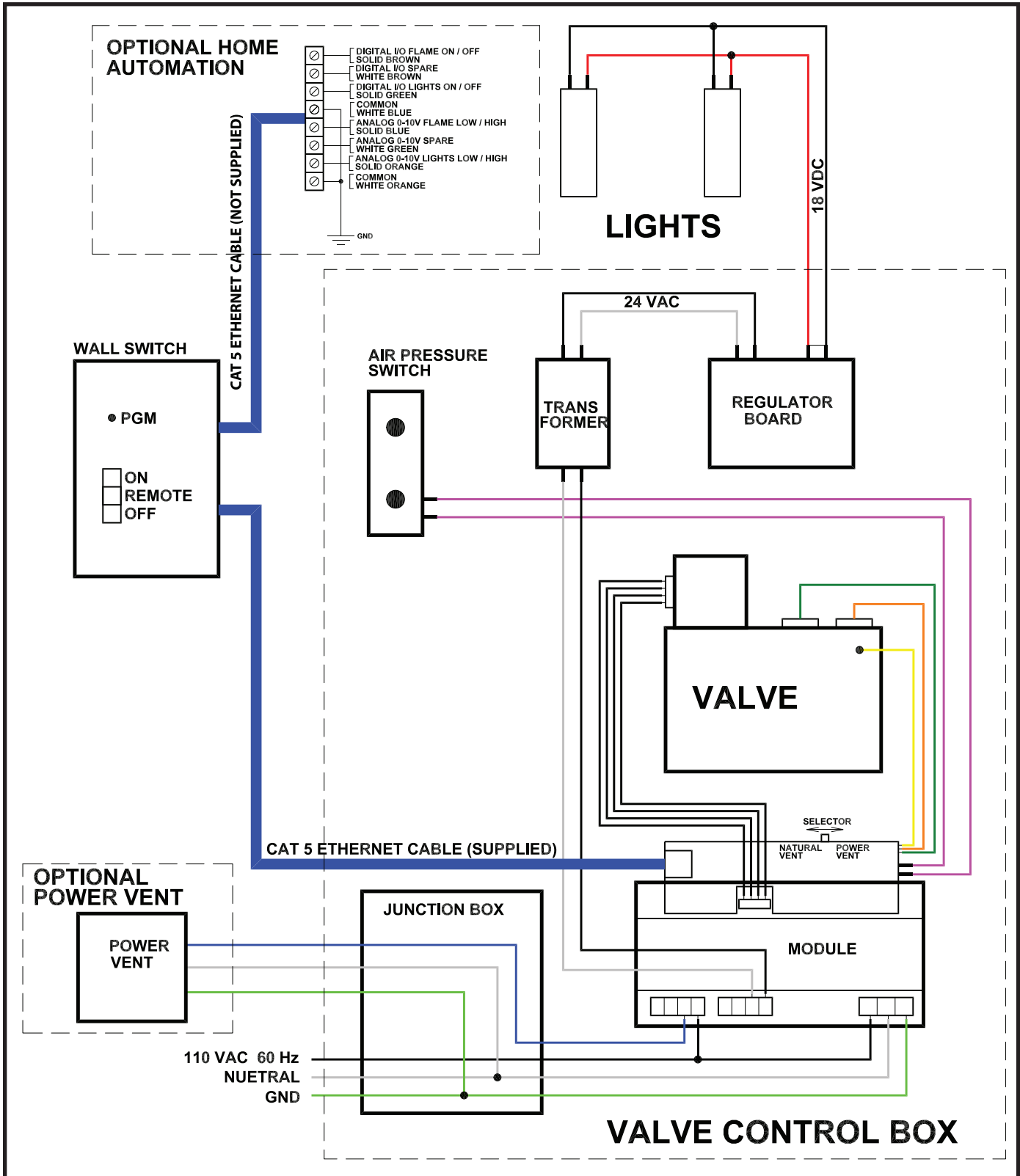
(WHEN ORDERING, INCLUDE PART NUMBER WITH DESCRIPTION)

ITEM	DESCRIPTION	PART NO.	ITEM	DESCRIPTION	PART NO.
#1	CONTROL ASSEMBLY KIT .....	TCCV.95755-B	#4	TEST FITTING .....	5019.104
#2	BULKHEAD ASSEMBLY KIT .....	TCRP.8133	#5	WALL SWITCH ASSEMBLY KIT .....	TCRP.WSA
#3	COMMUNICATION CABLE KIT .....	5062.98-A	#6	REMOTE TRANSMITTER .....	TCRP.500307

**KIT CONTENTS:**

#1	CONTROL ASSEMBLY KIT	#2	BULKHEAD ASSEMBLY KIT	#3	CABLE COMMUNICATION KIT
1a	..... VALVE c/w FITTINGS	2a	..... INLET PLATE	#4	TEST FITTING
1b	..... 1/4" FLEX TUBE	2b	..... INLET PLATE GASKET	#5	WALL SWITCH ASSEMBLY KIT (not shown)
1c	..... 1/2" FLEX TUBE	2c	..... ELEC BULKHEAD GASKET	#6	REMOTE TRANSMITTER (not shown)
1d	..... CONTROL MOUNTING BRACKET	2d	..... 1/2" BULKHEAD FITTING		
1e	..... IGNITION MODULE	2e	..... 1/4" BULKHEAD FITTING		
1f	..... WIRING HARNESS	2f	..... ELEC BULKHEAD FITTING		
1g	..... TRANSFORMER				
1h	..... PRESSURE TEST ASSEMBLY				
1i	..... REGULATOR BOARD				
1j	..... PRESSURE SWITCH				

# Wiring Diagram



# Rating Label

**NOTE:** The Rating Label is located on a plate found in a slot between the left hand side lintel and the left hand side window frame. This plate is attached to the lintel with a cable.



**VENTED GAS FIREPLACE - NOT FOR USE WITH SOLID FUEL  
FOYER AU GAZ À ÉVACUATION - NE PAS UTILISER AVEC DU  
COMBUSTIBLE SOLIDE**

**708**

ANSI Z21.50-2014 / CSA 2.22-2014 Vented Gas Fireplaces  
CAN/CGA 2.17-M91 Gas-Fired Appliance For Use At High Altitudes.  
Certified for / Certifié pour Canada and U.S.A.

This Appliance is Equipped For Use With /  
Cet Appareil est Équipé Pour Utiliser Avec :

NATURAL GAS  LP-GAS   
GAZ NATUREL  LP GAZ

TOWN & COUNTRY  
FIREPLACES™

MODEL/  
MODELE: **TC54**

SERIES/  
SERIE: **D**

MADE IN CANADA  
FABRIQUE AU CANADA

FOR USE WITH/ EN CASE D'EMPLOI AVEC:	NATURAL GAS/ DU GAZ NATUREL	LP GAS/ DU GAZ LP
Minimum supply pressure / Pression minimum d'alimentation: (For the purpose of input adjustment / dans le but de régler l'alimentation)	5.0 in/wc / 5.0 po/c.e. (1.25 kPa)	12.5 in/wc / 12.5 po/c.e. (3.11 kPa)
Maximum supply pressure / Pression maximum d'alimentation:	13.9 in/wc / 13.9 po/c.e. (3.45 kPa)	13.9 in/wc / 13.9 po/c.e. (3.45 kPa)
Manifold pressure / Pression de la tuyauterie: Maximum	3.5 in/wc / 3.5 po/c.e. (0.95 kPa)	10.0 in/wc / 10.0 po/c.e. (2.74 kPa)
Orifice Size / Diametre de l'injecteur:	(3.57 mm)	(2.26 mm)
Input BTU/hr (kW) / Entree BTU/h (kW):	Max.: 84,000 (24.6) Min.: 59,000 (17.2)	Max.: 84,000 (24.6) Min.: 66,000 (19.3)

Optional components/ Éléments facultatifs: Powervent Kit/ kit de ventilation mécanique TCVT.PVI.25, TCVT.PV7.110, TCVT.PVCV  
Blower electrical rating: 115v, 60hz, 1.1 A / Normes électriques du ventilateur: 115v, 60hz, 1.1 A  
This appliance equipped for altitudes 0 - 4500 ft. (0 - 1372 m) / Cet unité est conçu pour des altitudes variant entre 0 - 4500 pieds (0 - 1372 m). In Canada, also certified for installation in a bedroom or a bedsitting room / Aussi certifié pour installation dans une chambre à coucher ou une salle de séjour. This appliance must be installed in accordance with local codes, if any; if none, follow the current CAN/CGA-B149 (Canada), or ANSI Z223.1 (USA) Installation Codes. Installer l'appareil selon les codes ou règlements locaux, ou, en l'absence de tels règlements, selon les codes d'installation CAN/CGA-B149 (Canada), or ANSI Z223.1 (USA) en vigueur.

MANUFACTURED (MOBILE) HOME: This appliance is only for use with the type of gas indicated on the rating plate and may be installed in an aftermarket, permanently located, manufactured (mobile) home where not prohibited by local codes. See owners manual for details.  
FABRIQUEZ (MOBILE) MAISON: Cet appareil doit être utilisé uniquement avec le type de gaz indiqué sur la plaque signalétique et peut être installé dans une maison préfabriquée (mobile) installée à demeure si les règlements locaux le permettent. Voir la notice du propriétaire pour plus de détails. Cet appareil ne peut être converti à d'autres gaz sauf si une trousse de conversion certifiée est utilisée.  
Install in accordance with the current standard Mobile Homes, CAN/CSA Z240 MH (in CANADA), and the Manufacturer's Home Construction and Safety Standard, Title 24 CFR, Part 3280, or the current Standard for Fire Safety Criteria for Manufactured Home Installations, Sites, and Communities ANSI/NFPA 501A, (in the U.S.A.). Cet appareil doit être installé conformément aux exigences de la norme CAN/CSA Z240 MH en vigueur de l'ACNOR, Installations de gaz dans les Constructions Mobiles.  
FOR USE WITH THE GLASS AND SCREEN BARRIER CERTIFIED WITH THE APPLIANCE ONLY / POUR UTILISATION UNIQUEMENT AVEC LES PORTES EN VERRE CERTIFIÉES AVEC L'APPAREIL

Pacific Energy  
Fireplace Products Ltd.  
Duncan, British Columbia,  
Canada

MINIMUM CLEARANCES TO COMBUSTIBLES / CLAIRANCES MINIMALES AVEC LES COMBUSTIBLE  
Left and Right side are determined when facing the front of the appliance. / Les côtés droit et gauche se déterminent en se mettant devant l'appareil et en lui faisant face.

Top, Back and Side Standoffs / Sommet, Arrière et Côté Butée	0 in./ 0 po.	(0 mm)
Sidewall to Appliance / Du mur latéral a l'appareil	4 in./ 4 po.	(102 mm)
Ceiling to Appliance / Plafond a l'appareil	24 in./ 24 po.	(610 mm)
Mantel to Appliance / Du manteau a l'appareil	*9 in./ 9 po.	(229 mm)
Maximum Mantel Extension / Allongement maximum du manteau	*12 in./ 12 po.	(305 mm)
*See Installation Manual for more detail / Voyez des Directive de l'Installation pour plus détails.		
Mantel Supports / Supports du manteau	4 in./ 4 po.	(102 mm)
Vent Pipe / Déchargez le Tuyau	1.75 in./ 1.75 po.	(45 mm)

DATE OF MANUFACTURE				
JAN	FEB	MAR	APR	2015
MAY	JUN	JUL	AUG	2016
SEP	OCT	NOV	DEC	2017

WARNING: Improper installation, adjustment, alteration, service or maintenance can cause injury or property damage. Refer to the owner's information manual provided with this appliance. For assistance or additional information, consult a qualified installer, service agency or the gas supplier.

AVERTISSEMENT: Une installation, un réglage, une modification, une réparation ou un entretien mal effectué peut causer des dommages matériels ou des blessures. Voir la notice de l'utilisateur qui accompagne l'appareil. Pour de l'aide ou des renseignements supplémentaires, consultez un installateur, un technicien agréé ou le fournisseur de gaz.

250814

5050.720352D

1-TC54D



© 2015 Copyright Pacific Energy Fireplace Products LTD

Reproduction, adaptation, or translation  
without prior written permission is prohibited,  
except as allowed under the copyright laws.



TOWN & COUNTRY  
L U X U R Y F I R E P L A C E S

**For technical support, please contact your retailer**

**Web site: [www.townandcountryfireplaces.net](http://www.townandcountryfireplaces.net)  
2975 Allenby Rd., Duncan, BC V9L 6V8**

Printed in Canada