



PO Box 1060, Duncan, B.C. V9L 3Y2
Phone: 1-888-223-0088
Web site: www.townandcountryfireplaces.net

Printed in Canada

TOWN & COUNTRY FIREPLACES™

**IMPORTANT:
THESE INSTRUCTIONS ARE TO
REMAIN WITH THE
HOMEOWNER**

FOR YOUR SAFETY

WARNING: If the information in this manual is not followed exactly, a fire or explosion may result causing property damage, personal injury or loss of life.

-- Do not store or use gasoline or other flammable vapors and liquids in the vicinity of this or any other appliance.

-- WHAT TO DO IF YOU SMELL GAS

- Do not try to light any appliance.
- Do not touch any electrical switch; do not use any phone in your building.
- Immediately call your gas supplier from a neighbour's phone. Follow the gas supplier's instructions.
- If you cannot reach your gas supplier, call the fire department.

--Installation and service must be performed by a qualified installer, service agency or the gas supplier.

This appliance may be installed in an aftermarket permanently located, manufactured home (USA only) or mobile home, where not prohibited by local codes.

This appliance is only for use with the type of gas indicated on the rating plate. This appliance is not convertible for use with other gases, unless a certified kit is used.

Warnock Hersey



241103-40

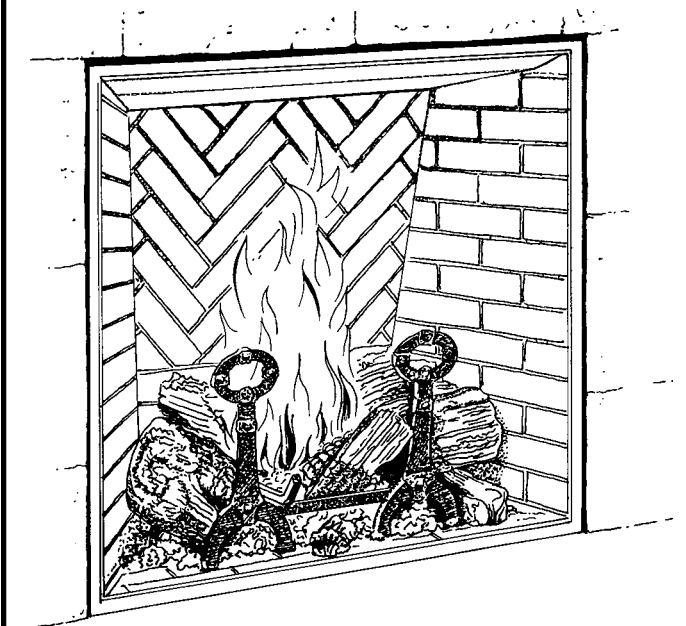
TC36_A1

5056.4271.B

TOWN & COUNTRY FIREPLACES™



TOWN & COUNTRY
FIREPLACES™



MODEL
TC36
SERIES A
DIRECT VENT FIREPLACE

**INSTALLATION
AND OPERATING
INSTRUCTIONS**

Contents

CAUTION	3
SAFETY	3
INSTALLATION REQUIREMENTS	5
TOP STANDOFFS	5
LOCATING THE FIREPLACE	5
FRAMING AND FINISHING	6
CONTROL BOX	8
HEARTH EXTENSION	8
VENTING	10
WALL TERMINATION VENTING	10
ROOF TERMINATION VENTING	16
VENT TERMINAL CLEARANCE	18
VENT PIPE SEALANT	19
VENT RESTRICTOR ADJUSTMENT	20
MANUFACTURED (MOBILE) HOME	20
GAS SUPPLY	21
OPTIONAL WALL SWITCH	21
WINDOW FRAME REMOVAL	22
BRICK PANELS INSTALLATION	23
EMBER MATERIAL	24
LOG SET ASSEMBLY	24
LIGHTING INSTRUCTIONS - Millivolt Valve	26
FIRST FIRE	26
OPERATING	26
LIGHTING INSTRUCTIONS - Electronic Valve	27
FLAME ADJUSTMENT	28
APPENDIX A	29
MAINTENANCE	29
REPLACEMENT PARTS	30
REPLACEMENT PARTS-MILLIVOLT CONTROL ASSEMBLY	31
REPLACEMENT PARTS - ELECTRONIC CONTROL ASSEMBLY	32
ELECTRONIC VALVE WIRING DIAGRAM	33
HORIZONTAL TERMINATION KIT	34
VENT ADAPTER KIT	34
VERTICAL TERMINATION KIT	35
VARIOUS GAS SUPPLY CONNECTIONS	36
SAFETY LABEL LOCATION	39



REPORT NO.
3038552

TOWN & COUNTRY
FIREPLACES™

MODEL/
MODELE: **TC36**

SERIES/
SERIE: **A**

MADE IN CANADA
FABRIQUE AU CANADA

VENTED GAS FIREPLACE - NOT FOR USE WITH SOLID FUEL
FOYER AU GAZ À ÉVACUATION - NE PAS UTILISER AVEC
DU COMBUSTIBLE SOLIDE

WH-

ANSI Z21.50a-2001 / CSA 2.22a-2001 Vented Gas Fireplaces
CAN/CGA 2.17-M91 Gas-Fired Appliance For Use At High Altitudes.
Certified for / Certifié pour Canada and U.S.A.

**FOR USE WITH/
EN CASE D'EMPLOI AVEC:**

Minimum supply pressure / Pression minimum d'alimentation:
(For the purpose of input adjustment / dans le but de régler l'alimentation)
Maximum supply pressure / Pression maximum d'alimentation:
Manifold pressure / Pression de la tuyauterie: Maximum

**NATURAL GAS/
DU GAZ NATUREL**

5.0 in/wc / 5.0 po/c.e.
(1.25 kPa)
13.9 in/wc / 13.9 po/c.e.
(3.45 kPa)
3.8 in/wc / 3.8 po/c.e.
(.95 kPa)

Orifice Size / Diametre de l'injecteur:

30 (3.26 mm)

Input BTU/hr (kW) / Entree BTU/h (kW):

Max.: 47,000 (13.8)
Min.: 35,000 (10.3)

Optional components: Remote Heat Kit, Propane Conversion Kit (TC36.LPKTA) / Éléments facultatifs: Kit à Distance de la Chaleur Trousse de conversion (TC36.LPKTA); Blower electrical rating: 115v, 60hz, 0.5 A / Normes électriques du ventilateur: 115v, 60hz, 0.5 A
This appliance equipped for altitudes 0 - 4500 ft. (0 - 1372 m) / Cet unité est conçu pour des altitudes variant entre 0 - 4500 pieds (0 - 1372 m). In Canada, also certified for installation in a bedroom or a bedsitting room when installed with an approved thermostat. / Aussi certifié pour installation dans une chambre à coucher ou une salle de séjour. This appliance must be installed in accordance with local codes, if any; if none, follow the current CAN/CGA-B149 (Canada), or ANSI Z223.1 (USA) Installation Codes. Installer l'appareil selon les codes ou règlements locaux, ou, en l'absence de tels règlements, selon les codes d'installation CAN/CGA-B149 (Canada), or ANSI Z223.1 (USA) en vigueur.

MANUFACTURED (MOBILE) HOME: This appliance is only for use with the type of gas indicated on the rating plate and may be installed in an aftermarket, permanently located, manufactured (mobile) home where not prohibited by local codes. See owners manual for details.
FABRIQUEZ (MOBILE) MAISON: Cet appareil doit être utilisé uniquement avec le type de gaz indiqué sur la plaque signalétique et peut être installé dans une maison préfabriquée (mobile) installée à demeure si les règlements locaux le permettent. Voir la notice du propriétaire pour plus de détails. Cet appareil ne peut être converti à d'autres gaz sauf si une trousse de conversion certifiée est utilisée.
Install in accordance with the current standard Mobile Homes, CAN/CSA Z240 MH (in CANADA), and the Manufacturer's Home Construction and Safety Standard, Title 24 CFR, Part 3280, or the current Standard for Fire Safety Criteria for Manufactured Home Installations, Sites, and Communities ANSI/NFPA 501A, (in the U.S.A.). Cet appareil doit être installé conformément aux exigences de la norme CAN/CSA Z240 MH en vigueur de l'ACNOR, Installations de gaz dans les Constructions Mobiles.
FOR USE WITH GLASS DOORS CERTIFIED WITH THE APPLIANCE ONLY / POUR UTILISATION UNIQUEMENT AVEC LES PORTES IN VERRE CERTIFIÉES AVEC L'APPAREIL

MINIMUM CLEARANCES TO COMBUSTIBLES / CLAIRANCES MINIMALES AVEC LES COMBUSTIBLE		
Left and Right side are determined when facing the front of the appliance. / Les côtés droit et gauche se déterminent en se mettant devant l'appareil et en lui faisant face.		
Top, Back and Side Standoffs / Sommet, Arrière et Côté Butée	0 in./ 0 po.	(0 mm)
Sidewall to Appliance / Du mur latéral à l'appareil	4 in./ 4 po.	(102 mm)
Ceiling to Appliance / Plafond à l'appareil	36 in./ 36 po.	(914 mm)
Mantel to Appliance / Du manteau à l'appareil	12 in./ 12 po.	(305 mm)
Maximum Mantel Extension / Allongement maximum du manteau	12 in./ 12 po.	(305 mm)
Mantel Supports / Supports du manteau	4 in./ 4 po.	(102 mm)
Vent Pipe / Déchargez le Tuyau	*8 in./ 8 po.	(203 mm)
*See Installation Manual for more detail / Voyez des Directive de l'Installation pour plus détails.		

Pacific Energy
Fireplace Products Ltd.
Duncan, British Columbia,
Canada



WARNING: Improper installation, adjustment, alteration, service or maintenance can cause injury or property damage. Refer to the owner's information manual provided with this appliance. For assistance or additional information, consult a qualified installer, service agency or the gas supplier.
AVERTISSEMENT: Une installation, un réglage, une modification, une réparation ou un entretien mal effectué peut causer des dommages matériels ou des blessures. Voir la notice de l'utilisateur qui accompagne l'appareil. Pour de l'aide ou des renseignements supplémentaires, consultez un installateur, un technicien agréé ou le fournisseur de gaz.

130503

5050.7205

1-TC36-1a

SAFETY LABEL LOCATION

NOTE: On appliances equipped with Electronic Ignition, the Safety Label is located behind the lower control panel.



- notes -

CAUTION

FOR YOUR SAFETY - Do not install or operate your Town and Country fireplace without first reading and understanding this manual. Any installation or operational deviation from the following instructions voids the Town and Country Fireplaces™ Warranty and may prove hazardous.

This appliance and its individual shutoff valve must be disconnected from gas supply piping system during any pressure testing of that system at test pressures in excess of 1/2 psig (3.5 kPa).

This appliance must be isolated from the gas supply piping system by closing its individual manual shutoff valve during any pressure testing of the gas supply piping system at test pressures equal to or less than 1/2 psig (3.5 kPa).

Note: When lit for the first time, the appliance will emit a slight odour for a couple of hours. This is due to the curing of paints, sealants and lubricants used in the manufacturing process. This condition is temporary. Open doors and windows to ventilate area. Smoke and fumes caused by the curing process may cause discomfort to some individuals.

Do not use the fireplace if any part has been under water. Immediately call a qualified service technician to inspect the fireplace and to replace any part of the control system and any gas control which has been under water.

SAFETY

Due to high temperatures, this gas appliance should be located out of traffic and away from furniture and draperies.

Children and adults should be alerted to the hazards of high surface temperatures and should stay away to avoid burns or clothing ignition.

Young children should be carefully supervised when they are in the same room as the appliance.

Clothing or other flammable material should not be placed on or near the appliance.

Any grill, panel or door removed for servicing the unit must be replaced prior to operating. Failure to do so may create a hazardous condition.

Installation and repair should be done by a qualified service person. The appliance should be inspected before use and at least annually by a professional service person. More frequent cleaning may be required due to excessive lint from carpeting, bedding material, etc. It is imperative that control compartments, burners and circulating air passageways of the appliance be kept clean.

It is our policy that no responsibility is assumed by the Company or by any of its employees or representatives for any damages caused by an inoperable, inadequate, or unsafe condition which is the result, either directly or indirectly, of any improper operation or installation procedures.

Fig # 1

FIREPLACE DIMENSIONS

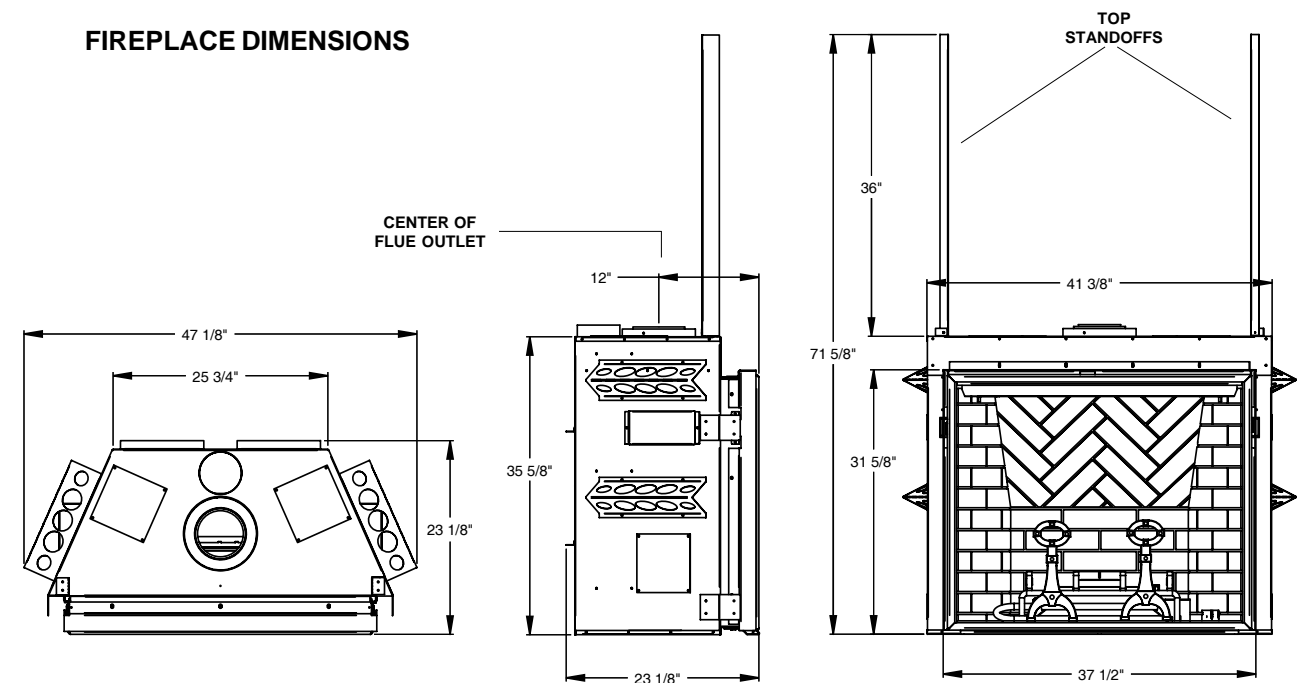


Fig. # 2

VERTICAL PIPE CLEARANCES

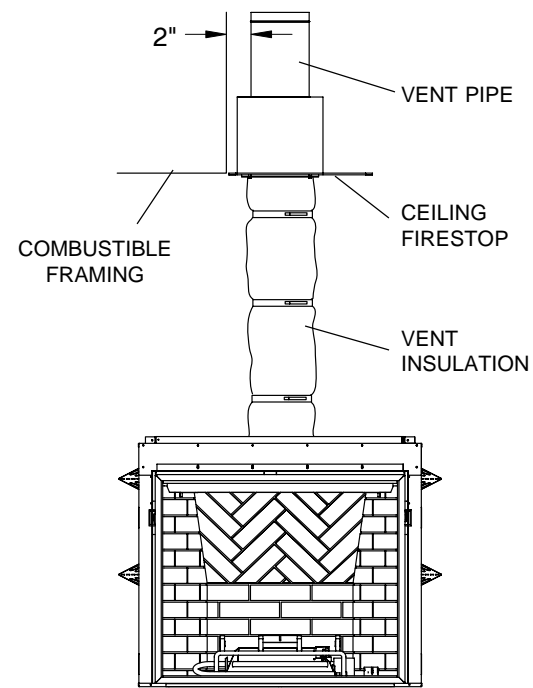
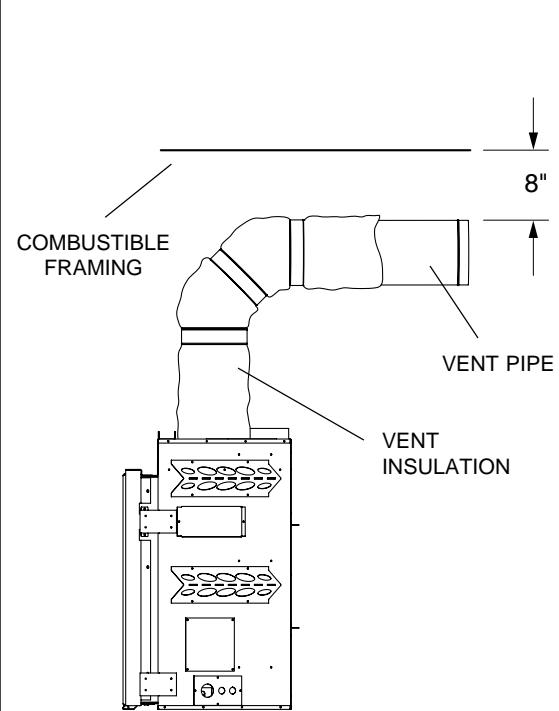


Fig. # 3

HORIZONTAL PIPE CLEARANCES

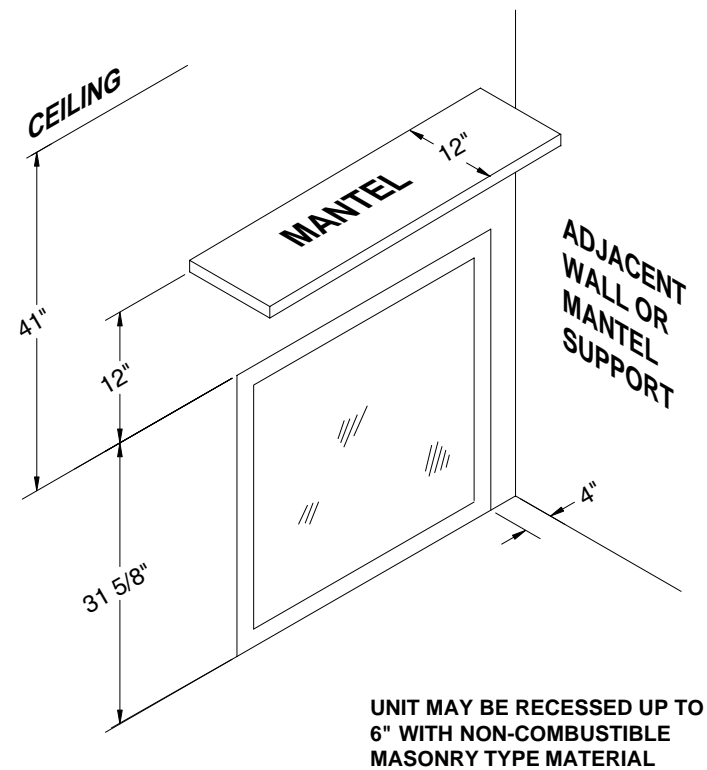


- notes -

Minimum Clearances to Combustibles:

Side standoffs	0 in.	(0 mm)
Back standoffs	0 in.	(0 mm)
Top standoffs	0 in.	(0 mm)
Bottom of appliance	0 in.	(0 mm)
Adjacent sidewall	4 in.	(102 mm)
Ceiling to window frame opening	41 in.	(1041 mm)
Mantel to appliance	12 in.	(305 mm)
Maximum mantel extension	12 in.	(305 mm)
Mantel support	4 in.	(102 mm)
Vertical vent pipe	2 in.	(50 mm)
Horizontal vent pipe		
Top	8 in.	(203 mm)
Sides	2 in.	(50 mm)
Bottom	2 in.	(50 mm)

Fig. # 4



VARIOUS GAS SUPPLY CONNECTIONS

Note: Consult local codes before proceeding.

Fig. # 48

FLEXIBLE CONNECTOR WITH SHUTOFF VALVE

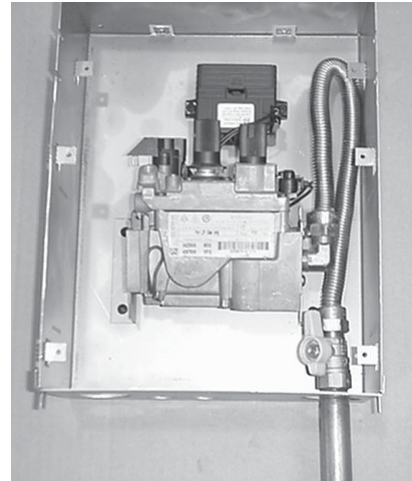


Fig. # 50

GASTITE™ FLEX LINE WITH REDUCING COUPLING

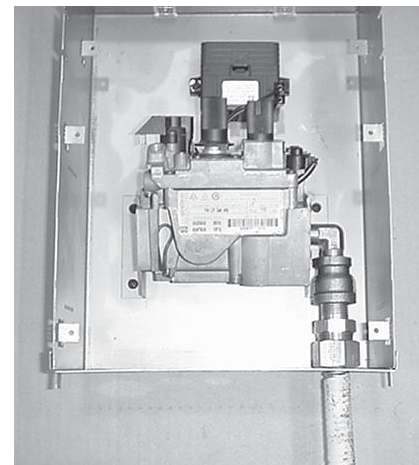


Fig. # 49

BLACK IRON PIPE WITH UNION

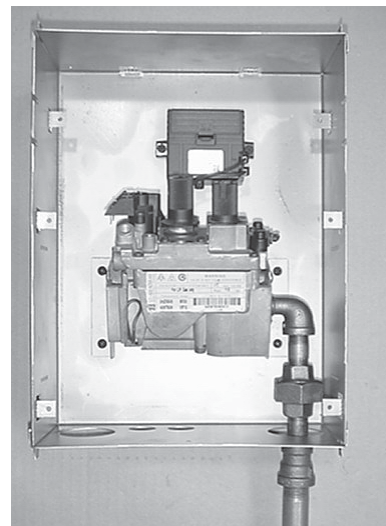
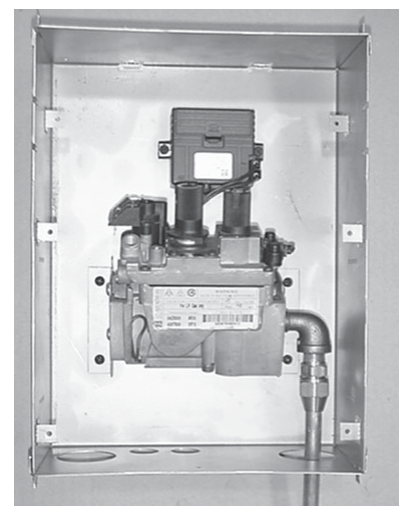


Fig. # 51

COPPER LINE WITH FLARE FITTING



INSTALLATION REQUIREMENTS

The Town & Country Fireplace installation and venting must conform to the current CAN/CGA-B149 installation code (in Canada) or the current National Fuel Gas Code, ANSI Z223.1 (in the USA), and approved per local codes. Only qualified (licensed or trained) personnel should install this product.

In the state of Massachusetts, only a licensed Plumber and Gas Fitter may install this product.

TOP STANDOFFS

The top standoff is shipped flat to the top of the unit and must be bent upright into position. Do this once the fireplace is on site and in position.

Assembly:

- 1) Remove the shipping screw holding both standoffs flat against the top of the unit.
- 2) Raise the standoff to a vertical position.
- 3) Install a screw at the base of the standoff to hold it upright.

LOCATING THE FIREPLACE

In planning the installation for the fireplace, it is necessary to determine where the unit is to be installed, location of vent system and where gas supply piping may be plumbed. Various installations are possible, such as, into an existing wall, a corner, a built-in wall or a wall projection (see Fig. #6). Due to high temperatures, do not locate this fireplace in areas of high traffic or near furniture or draperies.

The minimum clearances from the fireplace to combustible surfaces are shown on Fig. # 2, 3 and 4.

Fig. # 5

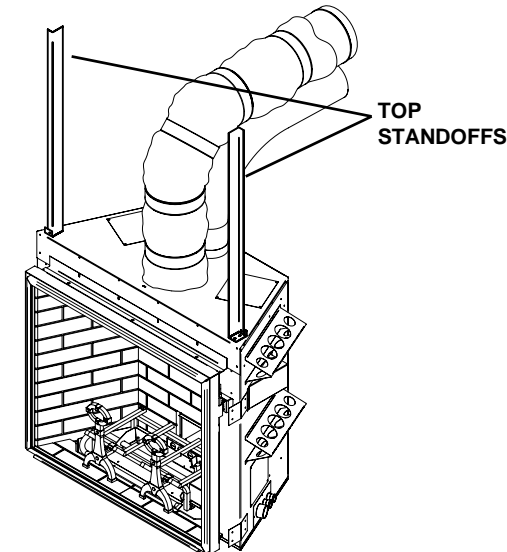
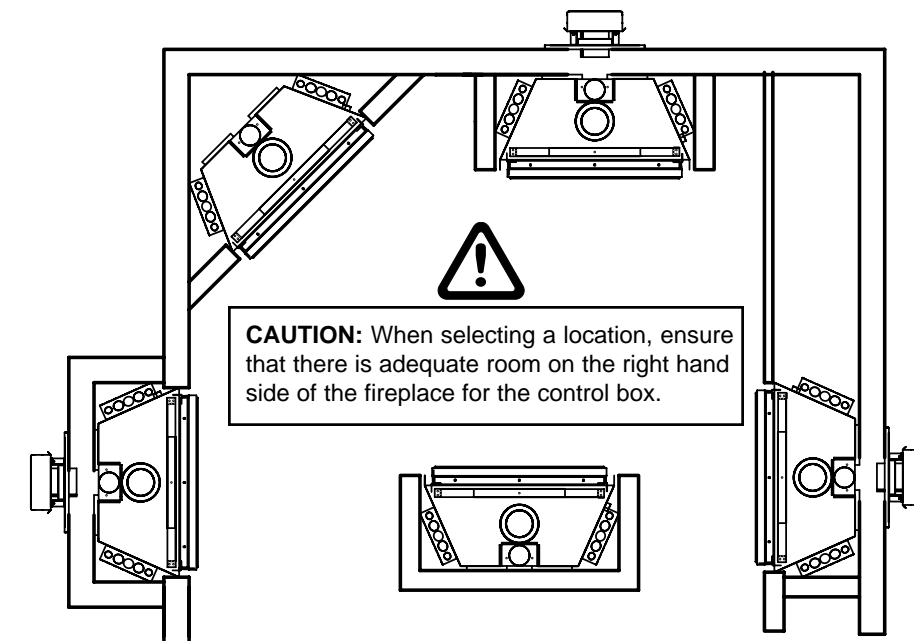


Fig. # 6

Examples of Common Locations



CAUTION: When selecting a location, ensure that there is adequate room on the right hand side of the fireplace for the control box.

FRAMING AND FINISHING

Note: The fireplace must be in place and venting installed before framing in or building an enclosure around the unit.

The Town & Country Fireplace may be framed in with building materials (wood and steel studs) or totally enclosed with non-combustible material, such as facing brick.

Determine the total thickness of facing material to be used. A total thickness of 3/4" will allow the finishing surface to be flush with the front of the unit. If preferred, additional masonry type non-combustible material can be installed above and to the sides up to 6 inches proud of the appliance.

Once the fireplace is in its final position, frame metal studs to the insides of the framing brackets on each side of the unit. Ensure that the studs are set back far enough to allow for thickness of finishing surface. Secure fireplace to steel studs

with screws. Frame in a steel header directly above the lintel bar. Additional steel support studs can be added above the header up to the ceiling.

The sides, back and top of the fireplace can be framed in up to the standoffs using conventional 2 x 4 lumber. Heavier construction may be required for some installations, consult local building codes for specific requirements.

Due to high temperatures, concrete board (or other non-combustible material) must be used to sheet in the front of the fireplace, extending 11" above and 1 1/2" to the side of the framing edge bars. See figure #8. Standard sheetrock (dry-wall) may be used beyond this.

Chase Insulation: When installing this fireplace against a non-insulated exterior wall or chase, it is recommended that the outer walls be insulated to same degree as other exterior walls. Do not place fireplace directly against the insulation. Cover the insulation and plastic vapour barrier with a solid surface, such as drywall (sheetrock). Consult local codes.

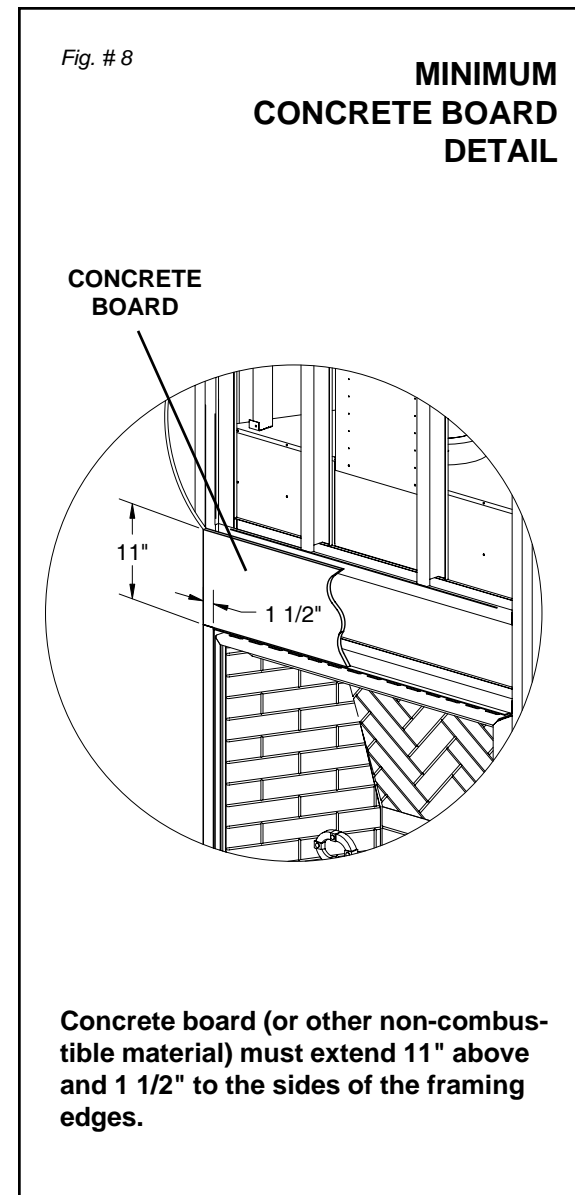
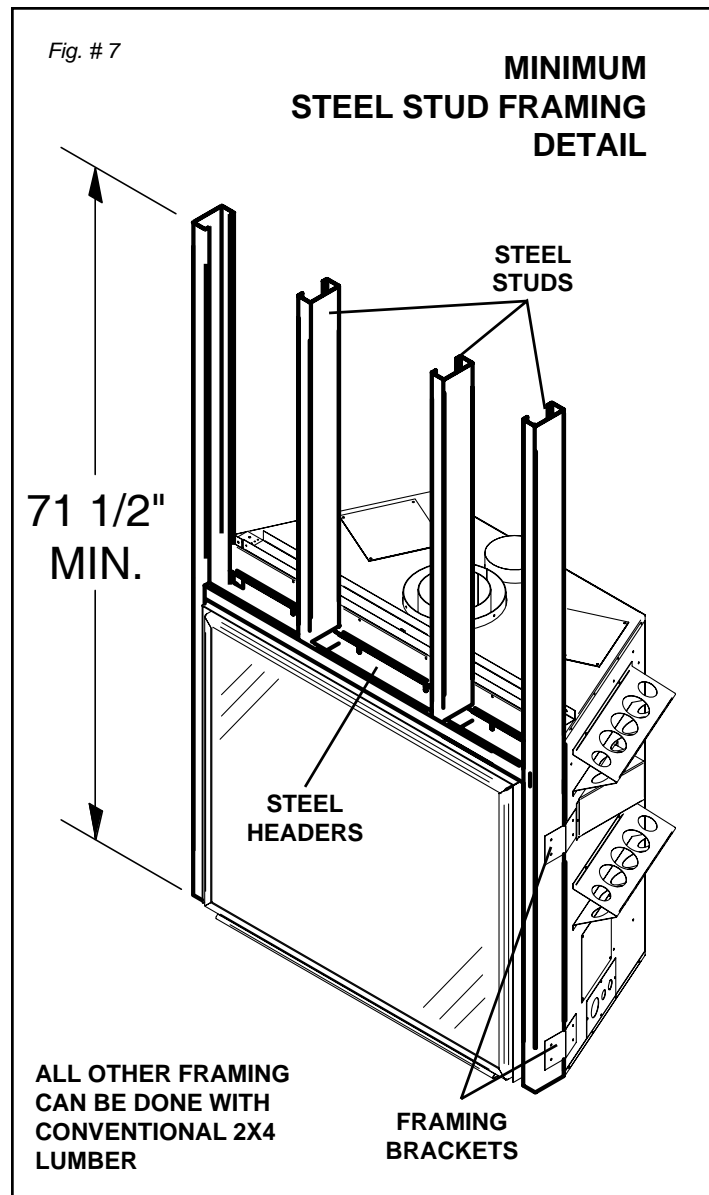


Fig. # 47

VERTICAL TERMINATION KIT TC36.VTKVERA

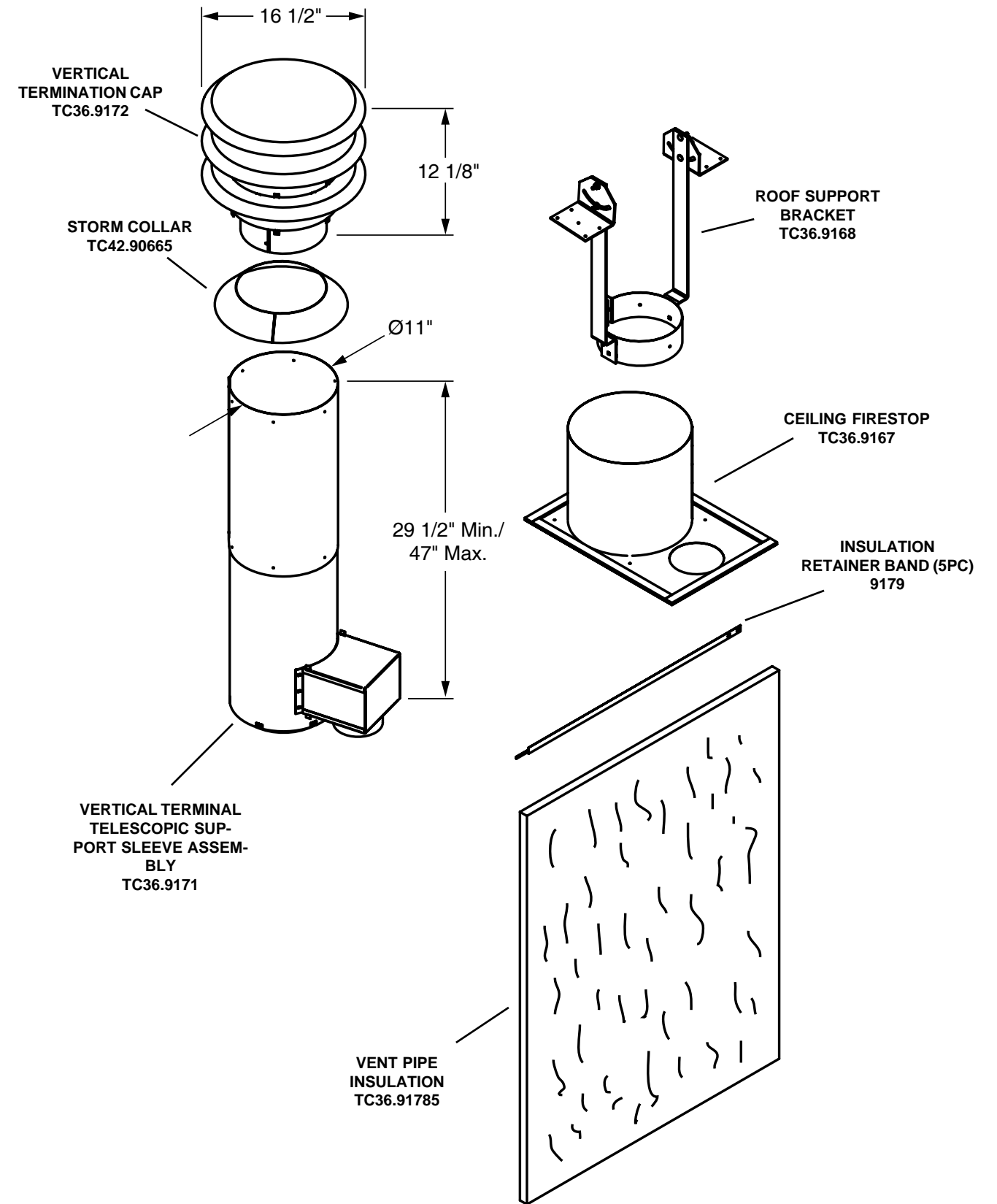


Fig. # 45

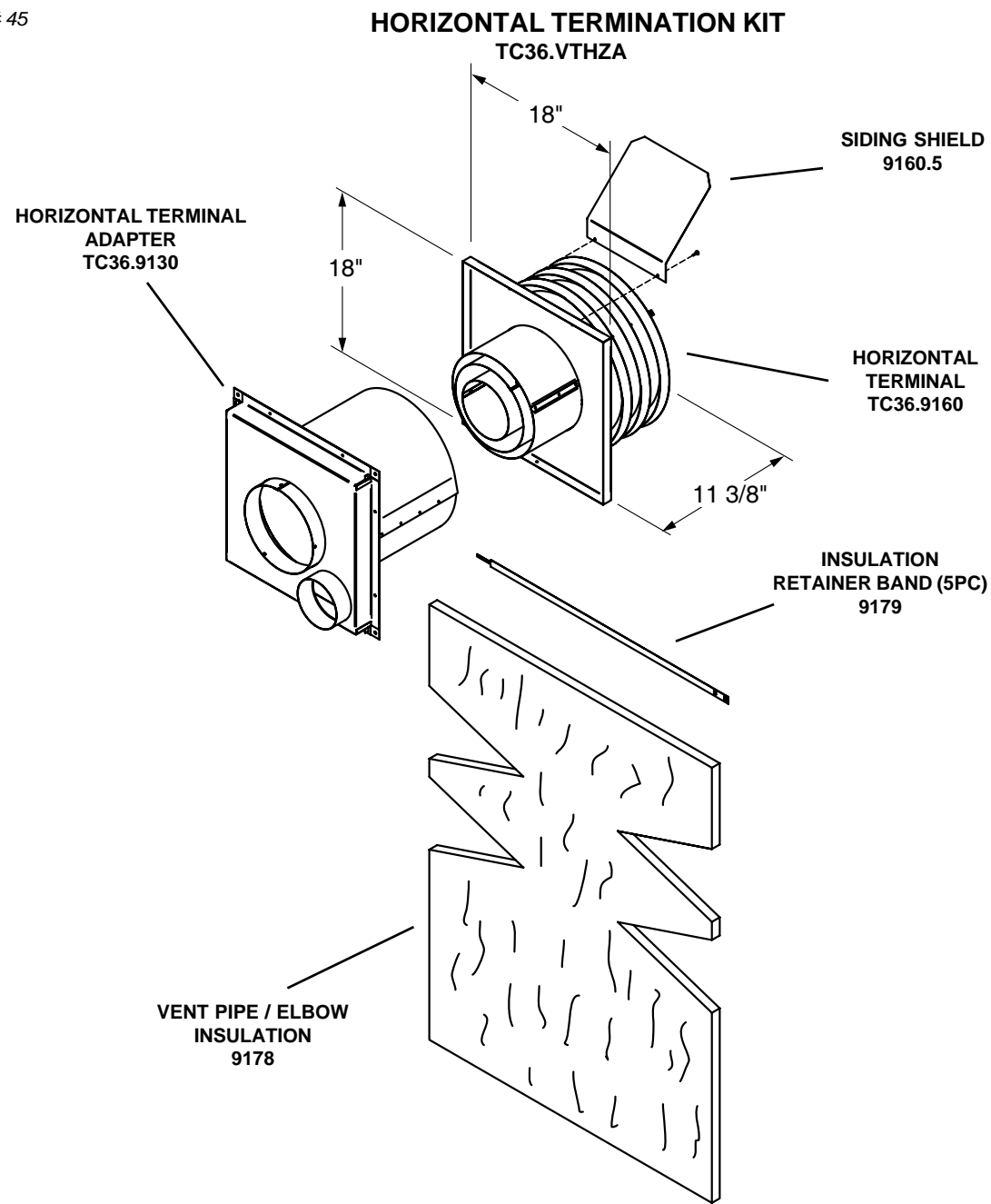


Fig. # 46

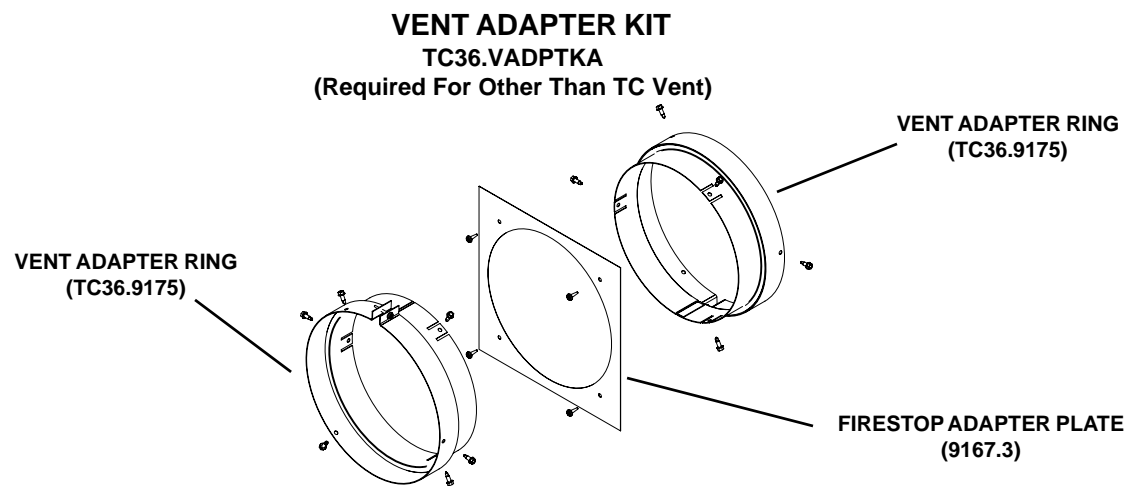


Fig. # 8a

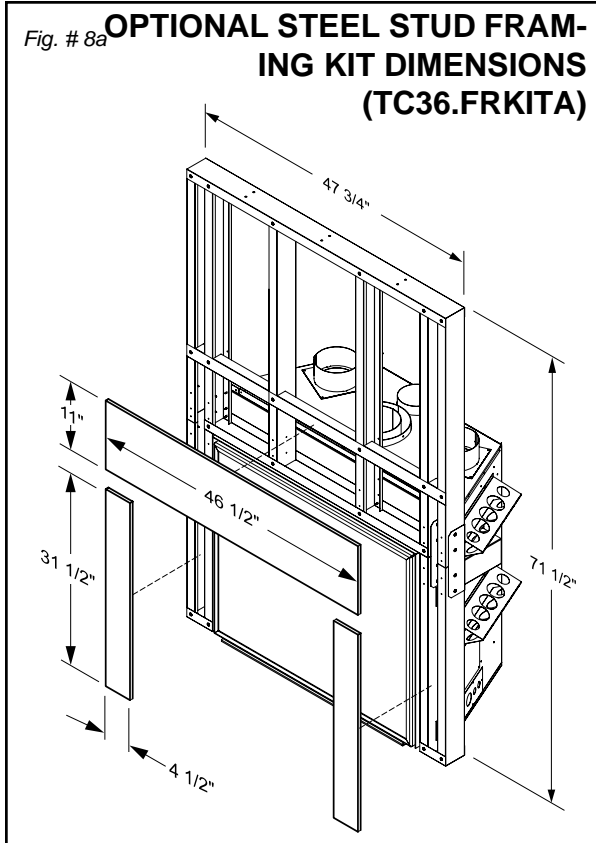


Fig. # 8b

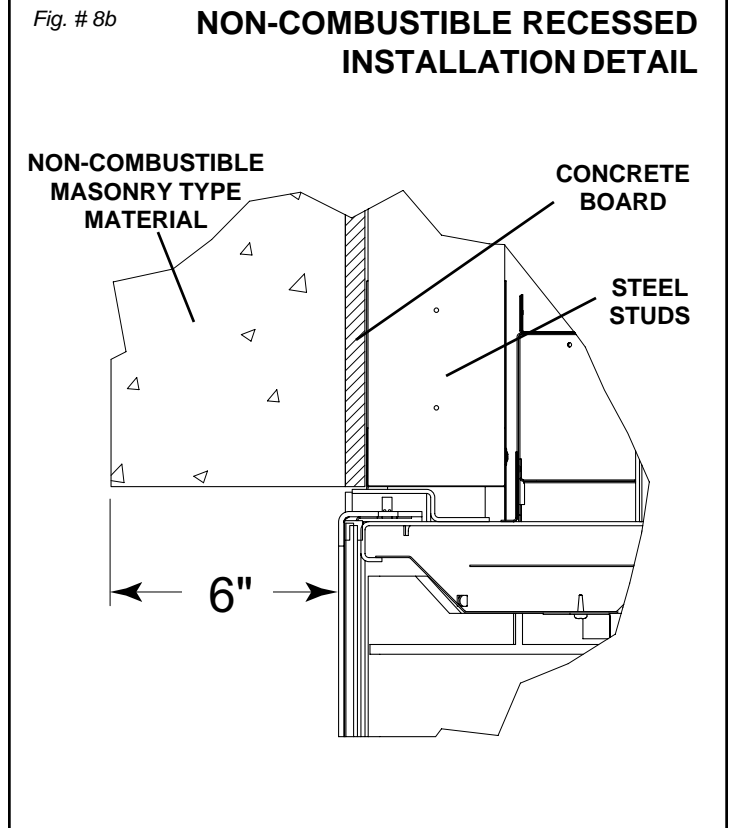
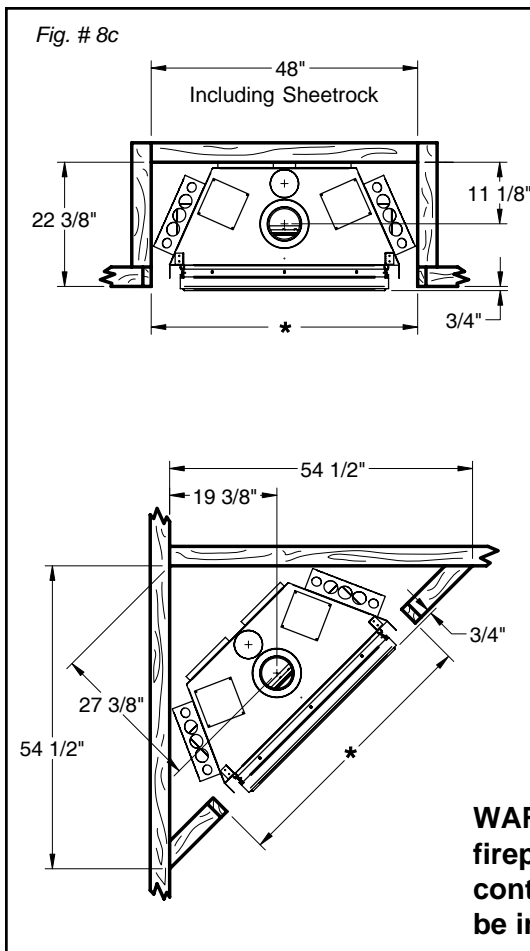


Fig. # 8c

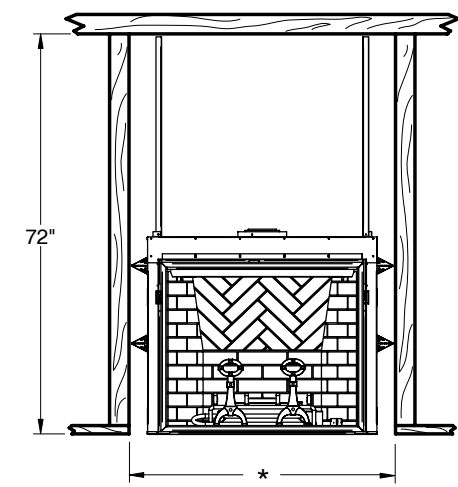


MINIMUM COMBUSTIBLE FRAMING DIMENSIONS



CAUTION:

When framing for the fireplace, ensure adequate space is provided for the control box. Do not install the control box above the fireplace.



* 48" if framed using the Optional Steel Stud Framing Kit (fig. #8a)
41 1/2" if the fireplace is framed in place to the minimum steel stud requirements (fig. #7)

WARNING: Framing dimensions will vary with location of fireplace, which may need to be adjusted to accommodate control box placement and vent installation. Fireplace should be in it's final location before framing.

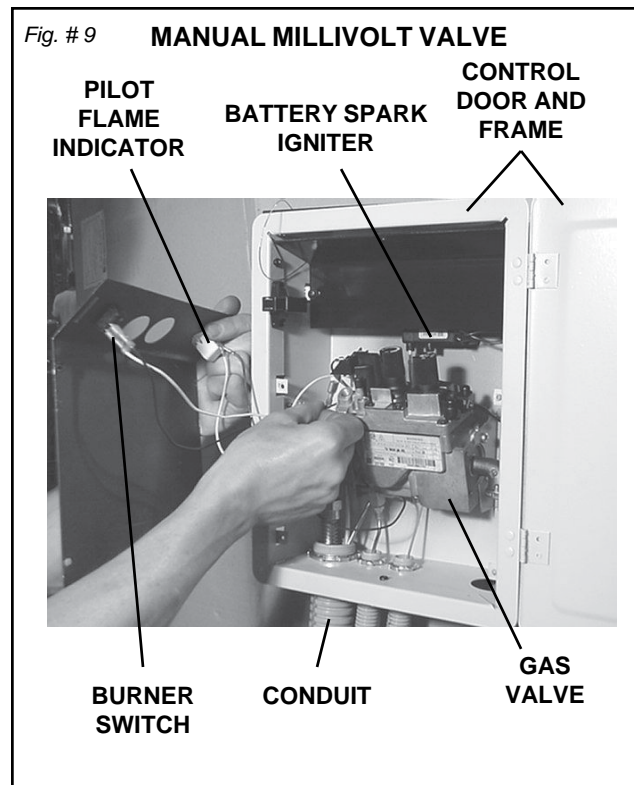
CONTROL BOX

The gas control valve and battery spark igniter box are housed in a control box remote of the fireplace. Flexible conduits attach the control box to the fireplace and house all the plumbing and wiring to the burner. This unique design allows the control box to be mounted in a variety of positions on the right side of the fireplace. The box can be framed into the front right face or the right sidewall of the fireplace enclosure.

Caution: When positioning the control box, do not over bend the conduit or use excessive force, as damage may occur.

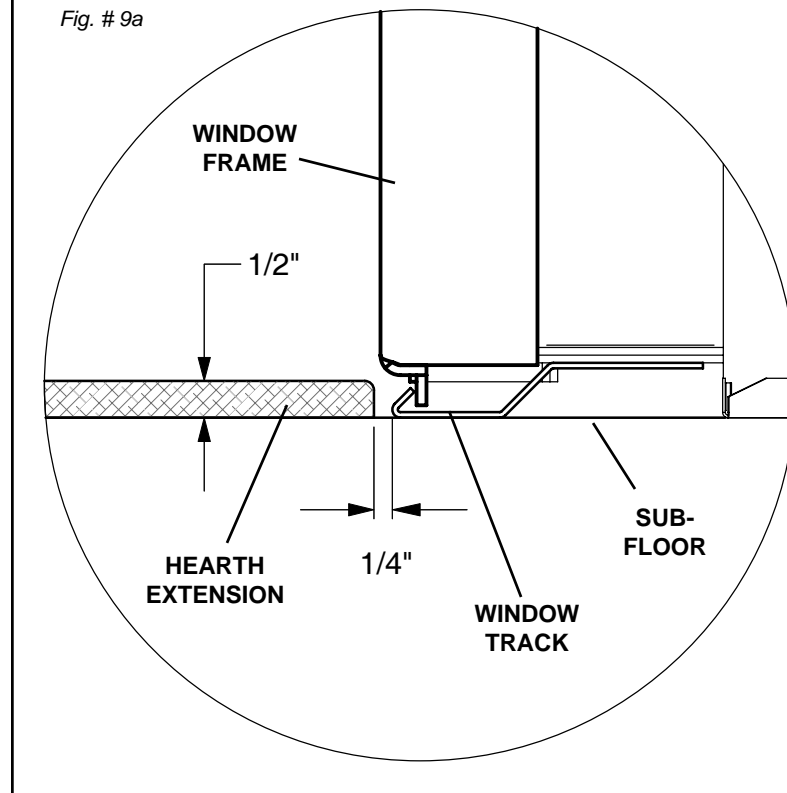
- 1) Remove the Control Box from the fireplace shipping pallet.
- 2) The lower right side fireplace Framing Bracket can now be re-oriented to its correct position.
- 3) Remove screws attaching the control box door and its inner frame, and place aside.
- 4) Remove 4 screws holding control panel in place and carefully lift off over the control knobs, being sure not to damage wires and connections to the "Pilot Flame" indicator. Carefully disconnect wires from indicator, and set aside.
- 5) Attach control box to framing at predetermined depth, allowing room for wall finishing material. Side brackets can be adjusted for a trim fit.
- 6) Replace door/inner frame assembly and fasten in place.

Note: Gas supply plumbing must be completed and the spark igniter battery or backup batteries installed before reinstalling the front control panel.



- 7) Reconnect "Pilot Flame" indicator wiring and reinstall control panel.

Fig. #9a



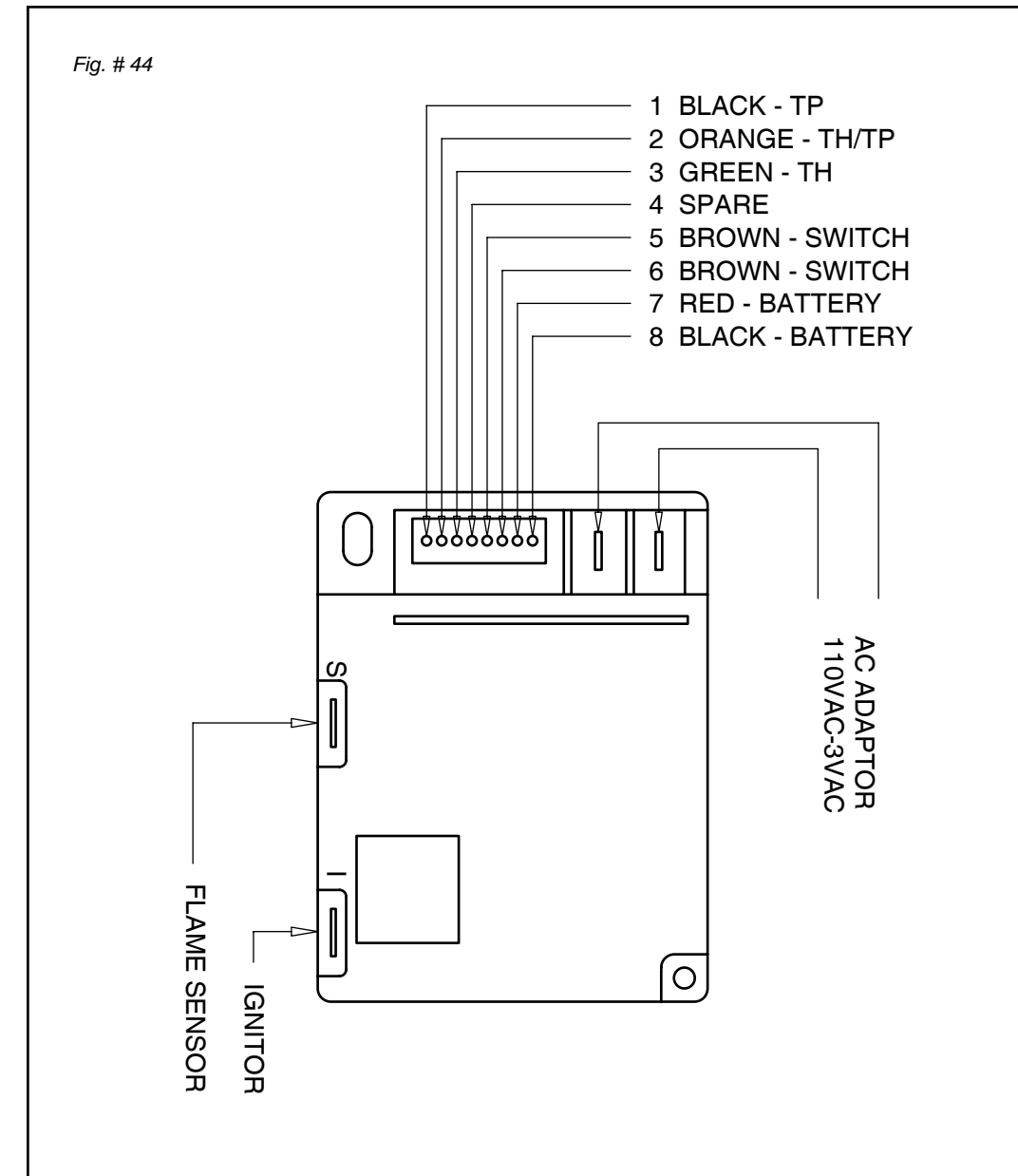
HEARTH EXTENSION

While a hearth extension is not required for this fireplace, one is recommended for aesthetic reasons. The hearth extension should be noncombustible and must not be any more than 1/2" above the bottom of the fireplace. If thicker, fireplace must be raised up accordingly.

Caution: Hearth extensions thicker than 1/2" will interfere with the window frame.

ELECTRONIC VALVE WIRING DIAGRAM

Fig. #44



REPLACEMENT PARTS - ELECTRONIC CONTROL ASSEMBLY

ITEM	DESCRIPTION	PART NO.	ITEM	DESCRIPTION	PART NO.
1	ELECTRONIC, VALVE, NG	5030.01	10	LOWER CNTRL PNL ASSY ELEC ...	TC42.90712
2	ELECTRONIC, IGNITION MODULE	5030.02	11	RECEPTACLE BOX ASSEMBLY	TC42.9079
3	ELECTRONIC, BATTERY HOLDER	5030.03			
4	ELECTRONIC, AC ADAPTOR	5030.04			
5	ELECTRONIC, WIRE HARNESS, 12"	5030.05			
6	ELECTRONIC, KNOB EXTENSION	5030.06			
7	VALVE BRACKET BOTTOM	9078			
8	VALVE BRACKET TOP	9078.5			
9	TRANSFORMER BRACKET	9079.5			

ELECTRONIC, PILOT ASSEMBLY, NG 5030.07

All other replacement parts are the same as the parts on the Millivolt Control Assembly. See figure #42.

Fig. # 43

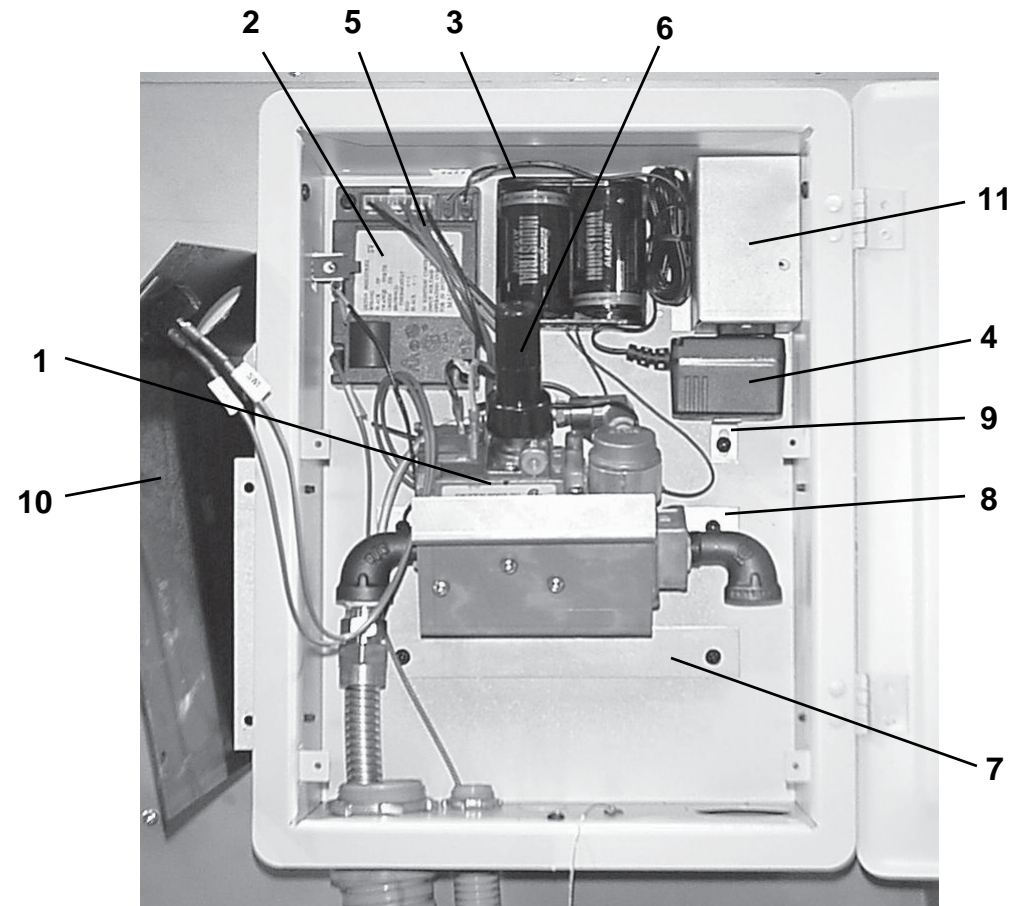
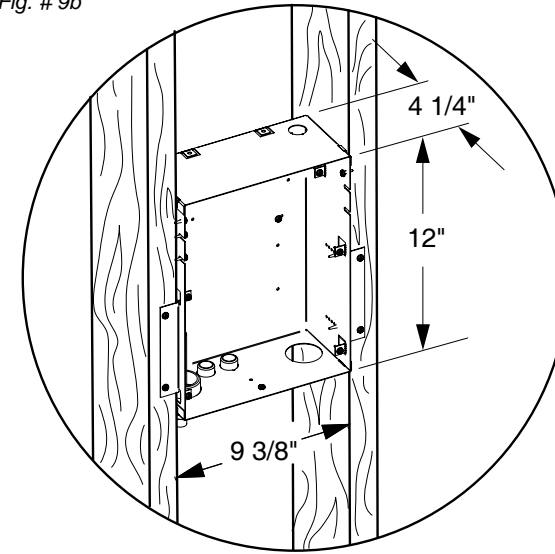


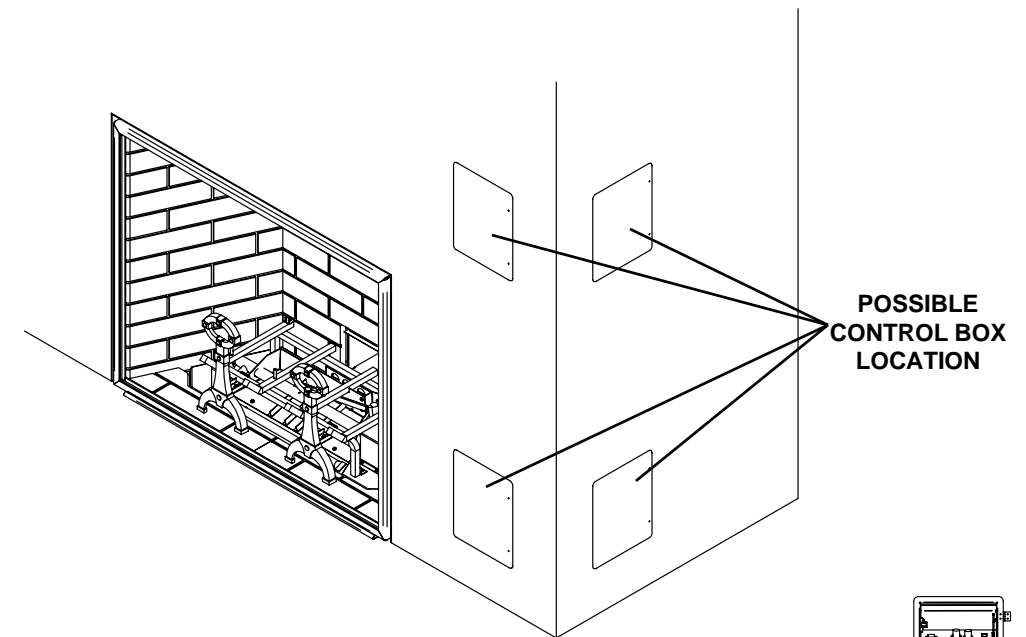
Fig. # 9b



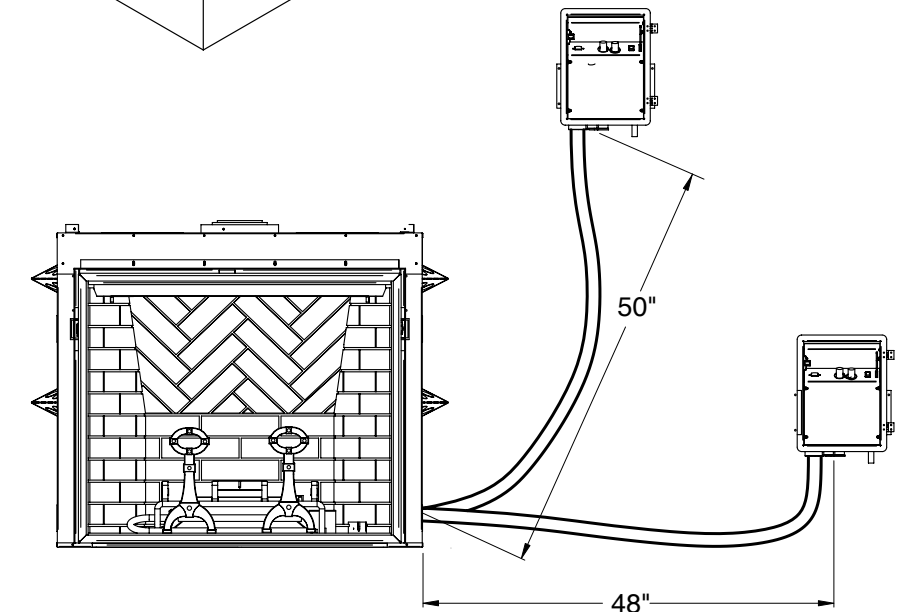
CONTROL BOX LOCATION AND FRAMING DETAIL

CAUTION:

- A 2 foot service access clearance is recommended in front of the control box.
- If recessed into a masonry wall, allow for control door and frame removal.
- If flush mounted on a masonry wall, allow for conduit to exit out the bottom of control box.



Caution: When positioning the control box, do not over bend the conduit or use excessive force, as damage may occur.



REPLACEMENT PARTS

(WHEN ORDERING, INCLUDE PART NUMBER WITH DESCRIPTION)

ITEM	DESCRIPTION	PART NO.	ITEM	DESCRIPTION	PART NO.
1	GLASS FRAME	TC36.9120	13	GRATE ASSEMBLY	TC36.9181
2	REPLACEMENT GLASS (c/w gasket)GLAS.2087		14	ANDIRON SUPPORT BRACKET	TCDO.9087
3	GLASS RETAINER, TOP	9050.001	15	REPLACEMENT ANDIRON	TC36.503590881
	GLASS GASKET KIT	2087.1	16	FIREBOX HEAT SHIELD	9104.01
	FRAME & GLASS ASSEM.	TC36.9120ASSY	17	BRICK PANEL RETAINER	1908.603
4	CONTROL DOOR ASSEMBLY	TC42.9074	18	FLUE DAMPER TAB	9104.7
5	SPRING LATCH ASSEMBLY	TC42.9024	19	FLUE DAMPER	9104.5
6	REMOVABLE LATCH HANDLE	TC42.9028		SHIELD INSULATION (not shown)	5068.7611.A
7	PANEL, RIGHT SIDE, BRICK	5098.754		SHIELD INSULATION (not shown)	5068.7611.B
	PANEL, RIGHT SIDE, TUSCAN	5098.7465		FIREBOX SHIELD ASSEMBLY	TC36.910401
8	PANEL, UP. BACK, HERRINGBONE	5098.752	20	PILOT AIR DEFLECTOR	8185.5
	PANEL, UP. BACK, TUSCAN	5098.7463	21	ORIFICE, NG #30	5022.13
9	PANEL, LEFT SIDE, BRICK	5098.753	22	FITTING LOCKNUT	5021.01
	PANEL, LEFT SIDE, TUSCAN	5098.7464	23	ORIFICE FITTING	5019.21
10	PANEL, LOWER BACK, BRICK	5098.757	24	FITTING BRACKET	9187
	PANEL, LOWER BACK, TUSCAN	5098.7462	25	FITTING PLATE	9187.5
11	PANEL, LEFT BASE, BRICK	5098.755	26	BURNER PAN WELD	TC36.918501WLD
	PANEL, LEFT BASE, TUSCAN	5098.7466	27	PRIMARY AIR COVER	9183.001
12	PANEL, RIGHT BASE, BRICK	5098.756	28	BURNER PLATE	9108
	PANEL, RIGHT BASE, TUSCAN	5098.7467	29	TRANSFER TUBE	9087.2
	PANEL SET, HERRINGBONE	TC36.PNLBRKA	30	BURNER TRAY SHIELD	9189.001
	PANEL SET, TUSCAN	TC36.PNLTSCA	31	AIR DEFLECTOR	9118
				BURNER ASSEMBLY	TC36.918501

	LOG SET, COMPLETE	5098.7461
	REAR, #1 (not shown)	5098.741
	LEFT, #2 (not shown)	5098.742
	RIGHT, #3 (not shown)	5098.743
	MIDDLE, #4 (not shown)	5098.744
	BOTTOM LEFT, #5 (not shown)	5098.745
	BOTTOM CENTRE, #6 (not shown)	5098.746

All parts may be ordered from your nearest Town and Country Fireplaces™ dealer. Contact Town and Country Fireplaces™ for the location of the dealer nearest you.

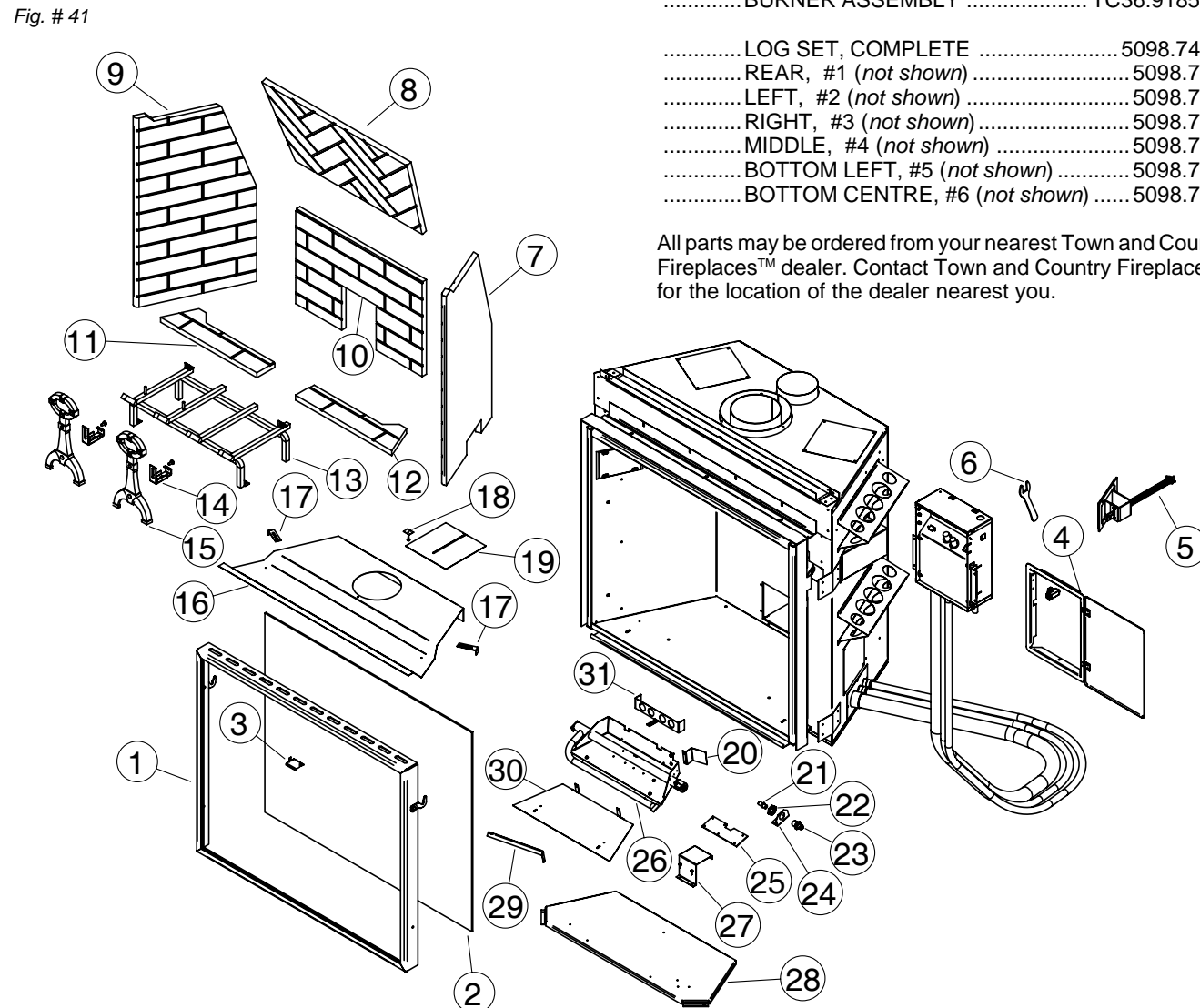
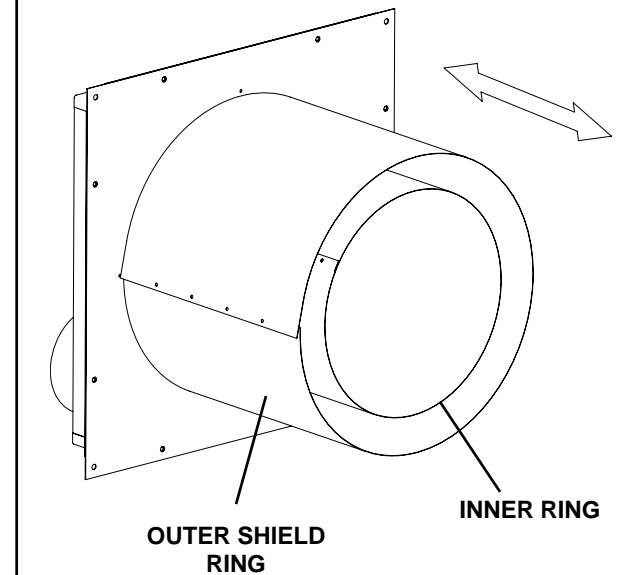


Fig. # 12

TRIM LENGTH TO WALL THICKNESS PLUS 1/2"

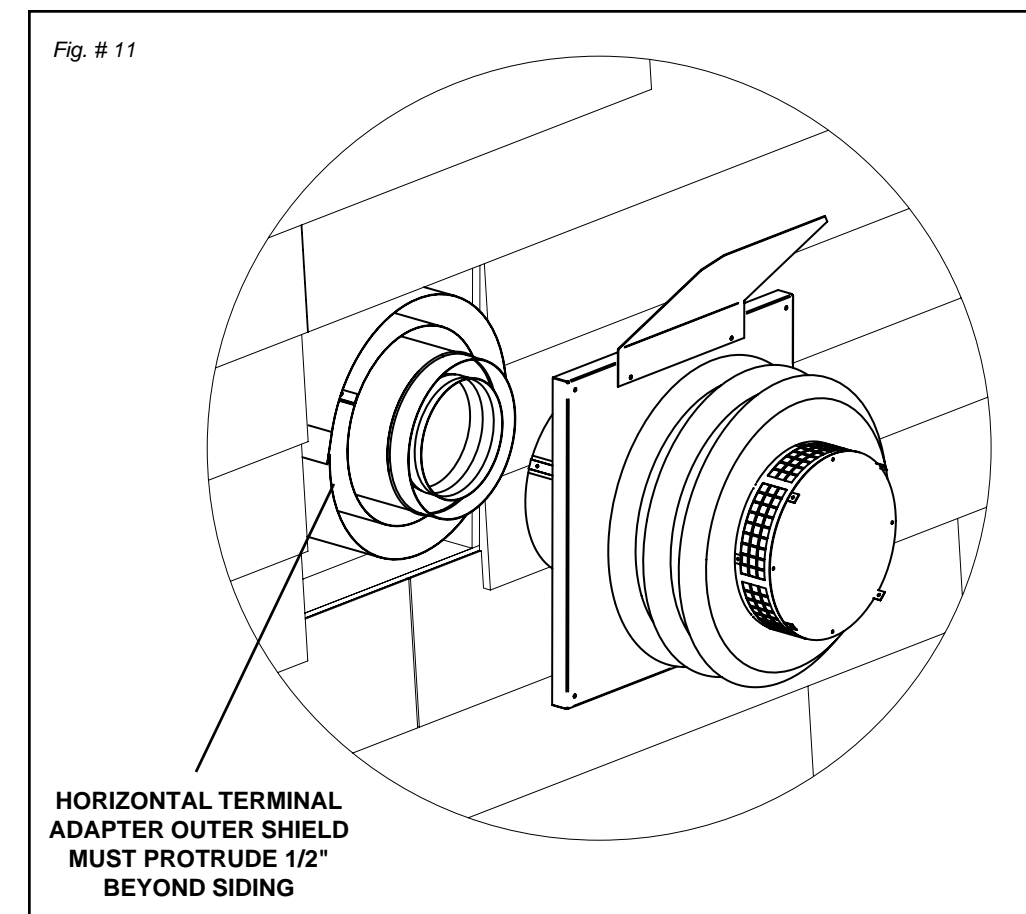


HORIZONTAL TERMINAL ADAPTER

Where a vent is to be terminated horizontally on an exterior wall, a Horizontal Terminal Adapter must be used. The Adapter converts the vent system from co-linear to co-axial, as well, retains insulation away from the pipe and maintains proper clearances. The Adapter may be trimmed to length for various wall thicknesses less than 12" thick.

Measure the wall thickness including the siding. Trim both the outer shield ring and the inner ring to the wall thickness plus 1/2". The outer shield ring may be removed to ease trimming. The ring must be replaced after trimming. Position the Adapter from inside through the 14-1/2" opening. Properly adjusted, the thimble should protrude 1/2" past the outer wall surface.

Fig. # 11



Air intake pipe:

Attach a 5" flexible and/or rigid aluminum air intake pipe, pre-cut to 6" shorter than the vent pipe, to the air inlet collar at the back of the unit. Secure in place with screws and seal. Slide the fireplace into position. Attach the flex pipe to the 5" collar on the Adapter. Secure in place with screws and seal. The air intake pipe may need to be insulated in some jurisdictions. If insulating, ensure that the insulation wrap is kept away from the vent pipe.

Vent pipe:

Install vent pipe through the Horizontal Terminal Adapter and attach to flue outlet collar on top of the fireplace. Secure all joints with screws and seal.

The fireplace position may need to be adjusted to ensure that the vent pipe does not protrude or be recessed any more than 3" past the outer wall.

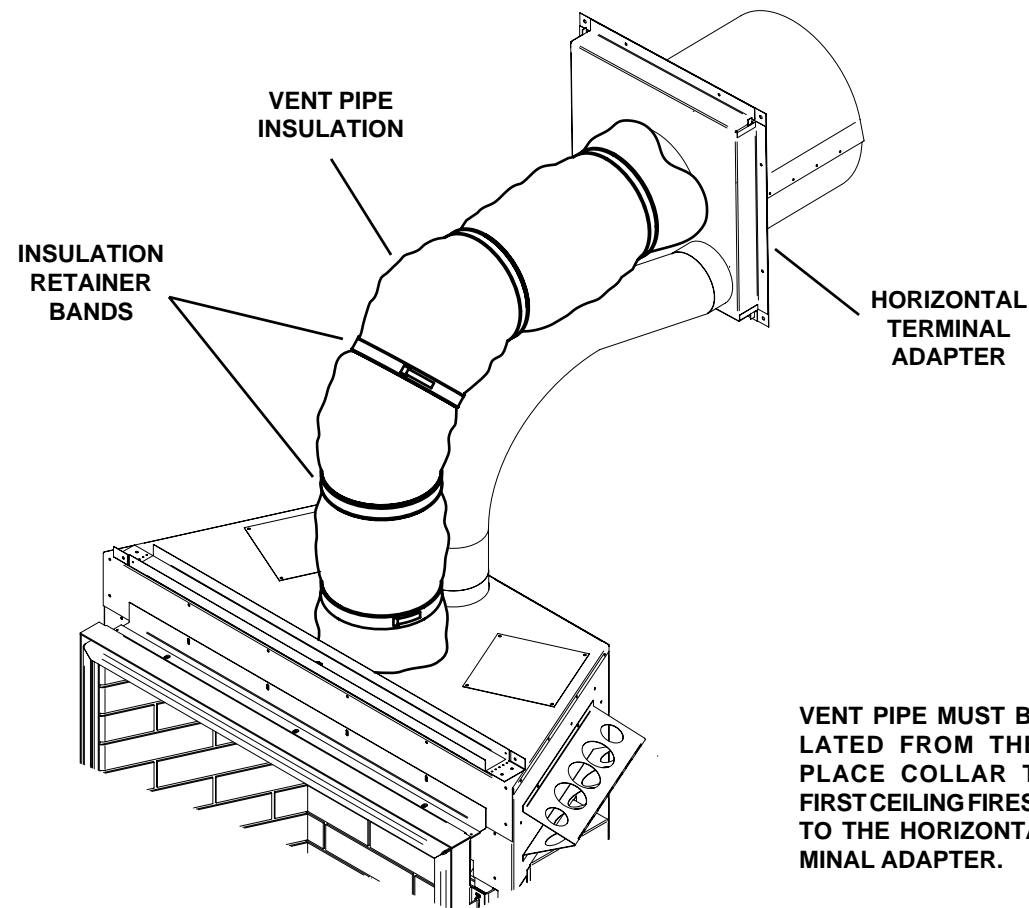
Seal the vent pipe as per "Vent Pipe Sealant" section before wrapping with insulation. Wrap the pipe with foil-back insulation provided. Insulation must cover vent pipe from the fireplace collar to the first Ceiling Firestop or to the Horizontal Terminal Adapter. Tape all insulation joints with High Temperature aluminum tape provided.

Wall vent terminal:

- 1) Apply a bead of sealant to the inside of the vent pipe and to the terminal sleeves.
- 2) Engage the 6" vent collar with the vent pipe and slide terminal into place. Attach the terminal to the outside wall at each corner with screws provided. Do not overtighten screws. **The vent terminal must not be recessed into the exterior wall or siding.**
- 3) Caulk in place to prevent any moisture entering the building.

NOTE: MINIMUM CLEARANCES TO THE VENT TERMINAL MUST BE MAINTAINED (see Fig. #21 AND 22).

Fig. # 13



APPENDIX A

MAINTENANCE

Caution: Turn off gas and electrical power supply (if applicable) and allow ample time for unit to cool before servicing appliance. It is recommended that the fireplace and its venting should be inspected at least once a year by a qualified service person.

Glass Panel:

Warning: Do not operate fireplace with glass panel removed, cracked or broken. Replacement of the glass panel should be done by a licensed or qualified service person.

Do not strike or otherwise impact the glass in anyway that may cause it to break. If the glass becomes cracked or broken, it must be replaced before using the fireplace. Replacement glass can be obtained from your nearest Town and Country Fireplaces™ dealer. The size required is 36" x 30" x 5mm. Use ceramic glass only. **Do not substitute with any other type.** To remove broken glass, remove window frame as noted in "Window Frame Removal" section.

Unclip the Glass Retainer Clip located at the top of the Window Frame. Pull the top edge of the glass out of the frame first, then lift it up and out of the bottom edge.

Install the new piece of glass with the gasket into the frame so that the thicker bead of gasket faces the fireplace.

Annual Inspection:

a) Remove glass panel and log set. Inspect logs and burner assembly for soot buildup. If excessive buildup of soot is present, have a qualified service person inspect and adjust unit for proper combustion. Clean logs and burner with a brush or vacuum cleaner, paying close attention to burner ports.

b) Check the pilot system for proper flame size and operation. Clean pilot free of soot, dust or any other deposits. (See Fig. #40)

c) Check that the vent pipe and vent terminal are open and free from blockage or debris. If the venting is disassembled for cleaning, it must be properly assembled and re-sealed. Refer to VENTING section for proper procedure.

d) Check glass panel gasket, replace if necessary. It is important that the glass seal be maintained in good condition.

e) Check and replace batteries as needed.

Note: The appliance area must be kept clear and free from combustible materials, gasoline and other flammable vapours and liquids.

Periodically:

a) Viewing glass may be cleaned as necessary with fireplace glass cleaner.

b) Exterior finish may be cleaned with mild soap and water.

CAUTION:

Do not use abrasive cleaners on glass or any other part of the fireplace.

Do not clean glass when hot.

Fig. # 40a

ELECTRONIC PILOT

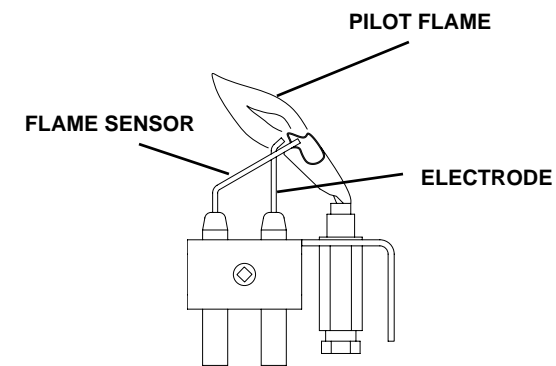
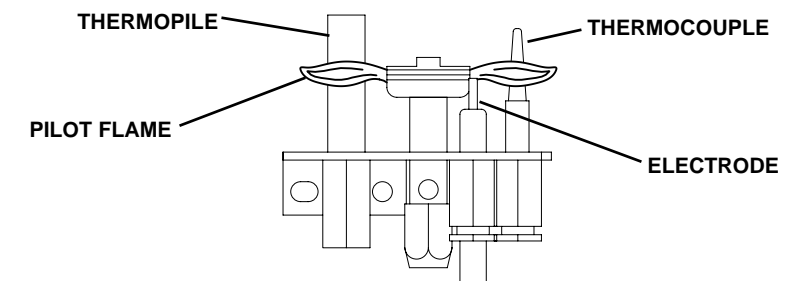


Fig. # 40b

MILLIVOLT PILOT



FLAME ADJUSTMENT

Natural Gas model only. There is no primary air adjustment on Propane models.

The air shutter on the burner tube controls the primary combustion air to the gas burner. Some adjustment may be necessary to obtain desired flame and to eliminate carbon deposits. Evaluate flame appearance after the fireplace has reached operating temperature. See Fig. #39 for proper flame pattern.

Adjust primary air if the logs, glass, and firebox have carbon accumulation and/or the flames are long, dark and stringy. The shutter may also be opened to enhance the Ember Material glow and lessen the flame height.

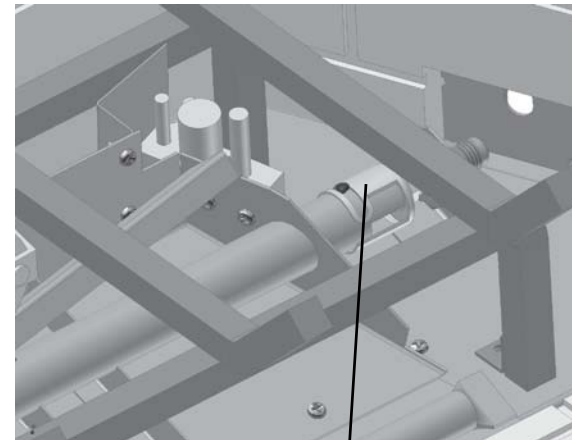
Caution: Burner area may be hot!

Turn off the fireplace and allow the unit to cool before proceeding.

To Adjust: (See Fig. # 38)

- 1) Open and remove window frame and set aside. See "Window Frame Removal" section.
- 2) Remove the Primary Air Cover.
- 3) Loosen the screw in the Primary Air Shutter.
- 4) Rotate the shutter to increase primary air.

Fig. # 38



PRIMARY AIR SHUTTER
(Natural Gas Model Only)

Caution: Proper air shutter setting is a must.

The flame should be just orange and "lazy". It should NEVER be set to create sooting on internal parts and glass.

Fig. # 39



Fig. # 14

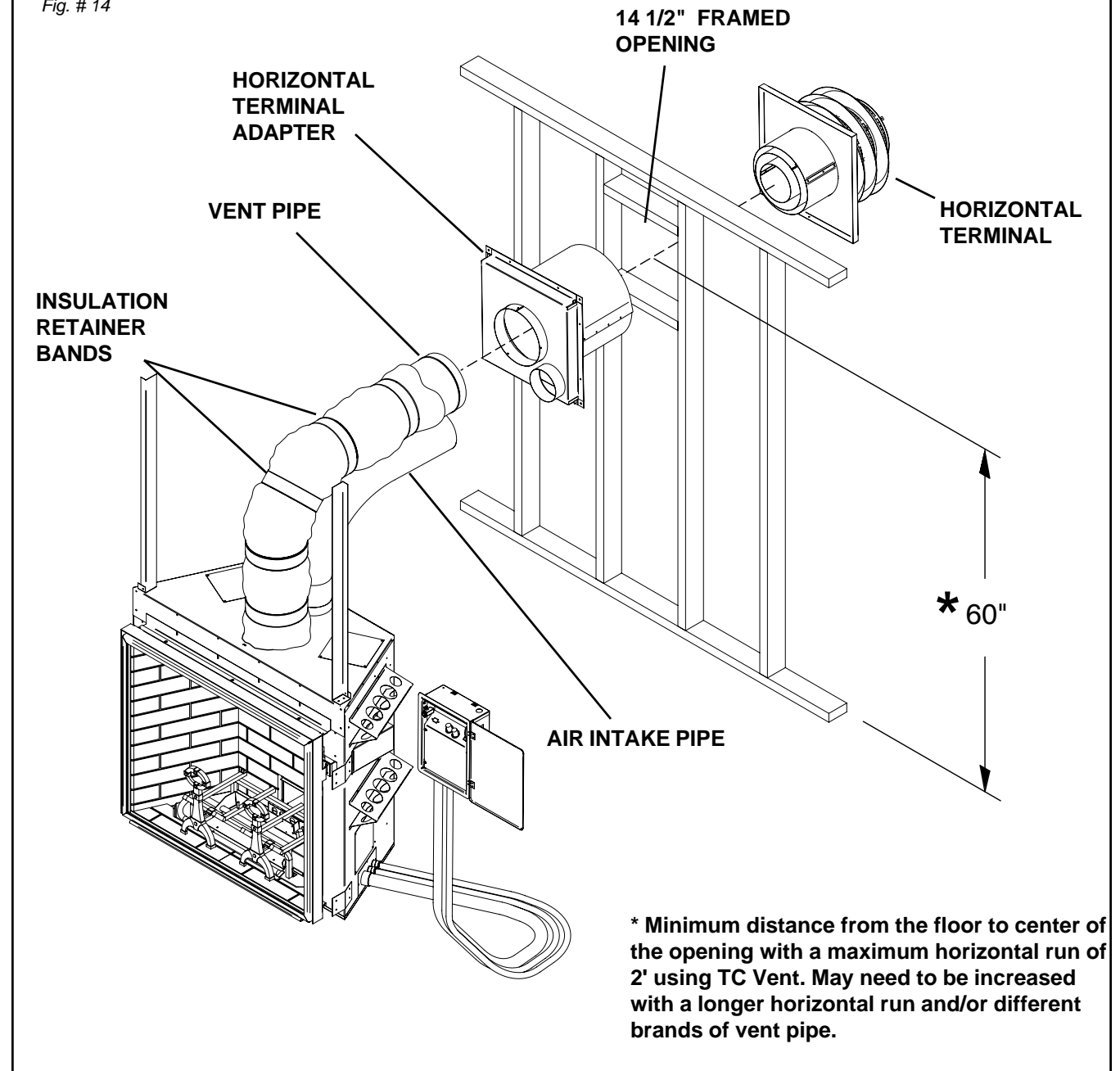
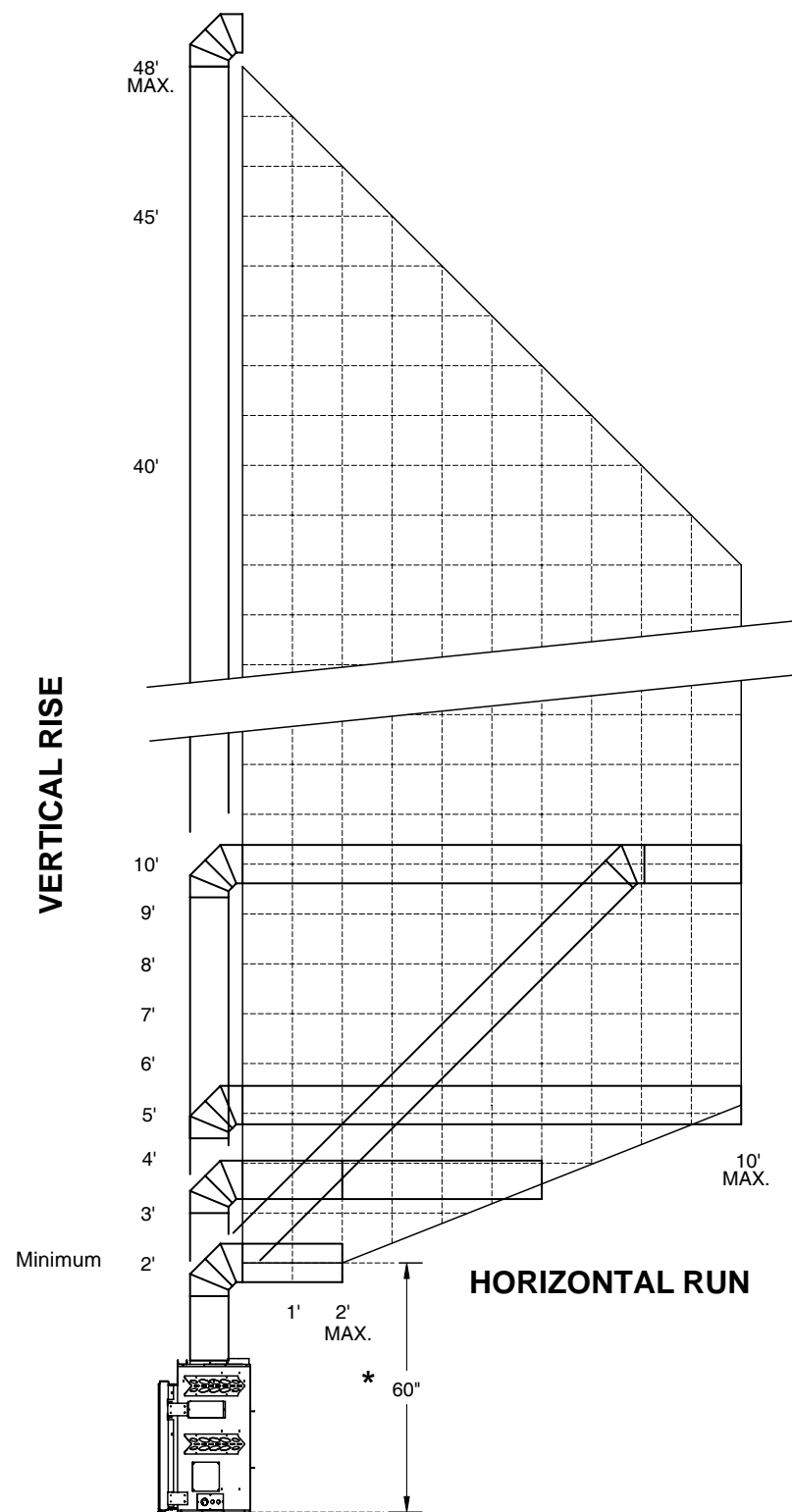


Fig. # 15

WALL TERMINATION VENTING CHART

NOTE: The vent must not exceed a total length of 48 feet. Any combination of rise and run may be used but must be constrained to the boundaries of this chart. A total of 3 90° elbows or combination of other elbows equalling 90° can be used without reducing horizontal run. For each additional 90° elbow, or an equal combination of elbows, reduce horizontal vent run by 2 feet. Ensure vent pipe is properly supported.



* Minimum Vent Pipe Centerline Height Using TC Vent

1) HI-LO Flame Adjustment:

The HI-LO burner control knob can be rotated in both directions, providing infinite control of gas flow rate to the burner and therefore greater comfort control. The HI setting provides a maximum gas input, and rotating the knob clockwise toward the LO setting will reduce the gas input to a minimum setting.

2) Wall Thermostat - Canada Only - (optional part # GASC.THERMO):

Set the wall thermostat to a comfortable temperature. Turn the HI-LO burner control knob to a desired setting. As heat is required, the fireplace will turn on or off automatically.

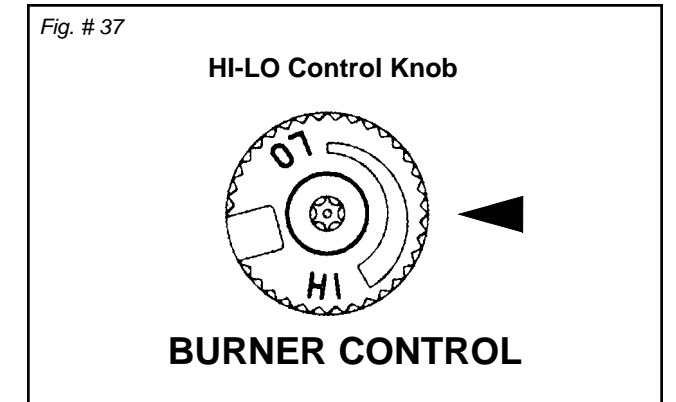
Extend Shutdown:

Manual Valve: To shutdown the appliance including the pilot, partially depress and turn gas control knob clockwise past "PILOT" to "OFF" position. DO NOT FORCE.

NOTE: The SIT control has an interlock device which does not allow the pilot to be lit when the appliance is at operating temperature. Let the appliance cool down (approx. 60 sec.) before attempting to relight the pilot. DO NOT use force to rotate the control knob.

Electronic Valve: Push the "Burner" switch to the "Off" position. Turn off all electric power to the appliance and remove backup batteries if service is to be performed or for extended shutdown.

Fig. # 37



LIGHTING INSTRUCTIONS - Electronic Valve

FOR YOUR SAFETY READ BEFORE LIGHTING

WARNING: If you do not follow these instructions exactly, a fire or explosion may result causing property damage, personal injury or loss of life.

- A. This appliance is equipped with an ignition device which automatically lights the pilot. Do not try to light the pilot by hand.
 - B. BEFORE LIGHTING smell all around the appliance area for gas. Be sure to smell next to the floor because some gas is heavier than air and will settle on the floor.
- WHAT TO DO IF YOU SMELL GAS:
- Do not try to light any appliance.

- Do not touch any electric switch; do not use any phone in your building.
- Immediately call your gas supplier from a neighbour's phone. Follow the gas supplier's instructions.
- If you cannot reach your gas supplier, call the fire department.
- C. Use only your hand to push in or turn the gas control knob. Never use tools. If the knob will not push in or turn by hand, don't try to repair it, call a qualified service technician. Force or attempted repair may result in a fire or explosion.
- D. Do not use this appliance if any part has been under water. Immediately call a qualified service technician to inspect the appliance & to replace any part of the control system & any gas control which has been under water.

LIGHTING INSTRUCTIONS

1. STOP! Read the safety information above on this label.
2. Set wall thermostat to lowest setting, if applicable.
3. This appliance is equipped with an ignition device which automatically lights the pilot. Do not try to light the pilot by hand.
4. Push the "Burner" switch to the "Off" position.
5. Allow sufficient length of time (minimum 5 minutes) for any gas in the combustion chamber to escape. If you still smell gas, STOP! Follow "B" in the safety information above on this label. If you don't smell gas, go to the next step.
6. Push the "Burner" switch back to the "On" position.
 - If the burner does not light, repeat steps 4 through 6.
 - If the burner will not light or stay lit after several tries, turn the "Burner" switch to the "Off" position and call your service technician or gas supplier.
7. Turn HI-LO burner control knob to desired setting and close control door.
8. Set thermostat to desired setting, if applicable.

TO TURN OFF GAS TO APPLIANCE

1. Set wall thermostat to lowest setting, if applicable.
2. Push the "burner" switch to the "Off" position.
3. Turn off all electric power to the appliance and remove backup batteries if service is to be performed or for extended shutdown.

Due to high surface temperatures, keep children, clothing and furniture away. Keep burner and control compartment clean. See installation and operating instructions accompanying the appliance.
A cause de la temperature elevee des parois, tenir eloignes les enfants, les vetements et les meubles. Maintenir propres le bruleur et le compartiment de commande. Voir les instructions relatives a l'installation et au fonctionnement qui accompagnent l'appareil.

LIGHTING INSTRUCTIONS - Millivolt Valve


FOR YOUR SAFETY READ BEFORE LIGHTING

WARNING: If you do not follow these instructions exactly, a fire or explosion may result causing property damage, personal injury or loss of life.

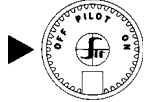
- A. This appliance is equipped with an ignition device which automatically lights the pilot. Do not try to light the pilot by hand.
 B. BEFORE LIGHTING smell all around the appliance area for gas. Be sure to smell next to the floor because some gas is heavier than air and will settle on the floor.
WHAT TO DO IF YOU SMELL GAS:
 - Do not try to light any appliance.

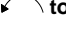
- Do not touch any electric switch; do not use any phone in your building.
 - Immediately call your gas supplier from a neighbour's phone. Follow the gas supplier's instructions.
 - If you cannot reach your gas supplier, call the fire department.
- C. Use only your hand to push in or turn the gas control knob. Never use tools. If the knob will not push in or turn by hand, don't try to repair it, call a qualified service technician. Force or attempted repair may result in a fire or explosion.
- D. Do not use this appliance if any part has been under water. Immediately call a qualified service technician to inspect the appliance & to replace any part of the control system & any gas control which has been under water.

LIGHTING INSTRUCTIONS


1. STOP! Read the safety information above on this label.
 2. Set wall thermostat to lowest setting, if applicable.
 3. Turn off all electric power to the appliance, if applicable.
 4. This appliance is equipped with an ignition device which automatically lights the pilot. Do not try to light the pilot by hand.
 5. Partially depress and turn gas control knob clockwise  past "Pilot" to "Off" position.
- Note: Knob cannot be turned from "Pilot" to "Off" unless knob is pushed in slightly. Do not force.
6. Allow sufficient length of time (minimum 5 minutes) for any gas in the combustion chamber to escape. If you still smell gas, STOP! Follow "B" in the safety information above on this label. If you don't smell gas, go to the next step.
 7. Turn gas control knob back to "Pilot" position.

GAS KNOB



8. Depress gas control knob fully and hold to ignite pilot. Once the pilot ignites, continue depressing knob for approximately 5 seconds, or until pilot flame indicator is in the RED zone. If pilot does not stay lit, repeat steps 5 through 8, allowing a longer period before releasing gas control dial.
 - If gas control knob does not pop up when released, stop and immediately call your service technician or gas supplier.
 - If the pilot will not stay lit after several tries, turn the gas control knob to "Off" and call your service technician or gas supplier.
 9. Turn gas control knob counter-clockwise  to "On" position.
 10. Turn HI-LO burner control knob to desired setting.
 11. Turn on the burner switch and close control door.
 12. Turn on all electric power to the appliance, if applicable.
 13. Set thermostat to desired setting, if applicable.
- Note: Sufficient time must be allowed for air to escape from lines if the unit is being lit for the first time.

TO TURN OFF GAS TO APPLIANCE

1. Set wall thermostat to lowest setting, if applicable.
2. Turn off all electric power to the appliance if service is to be performed.
3. Push in gas control knob slightly and turn clockwise  to "Off". Do not force.

FIRST FIRE

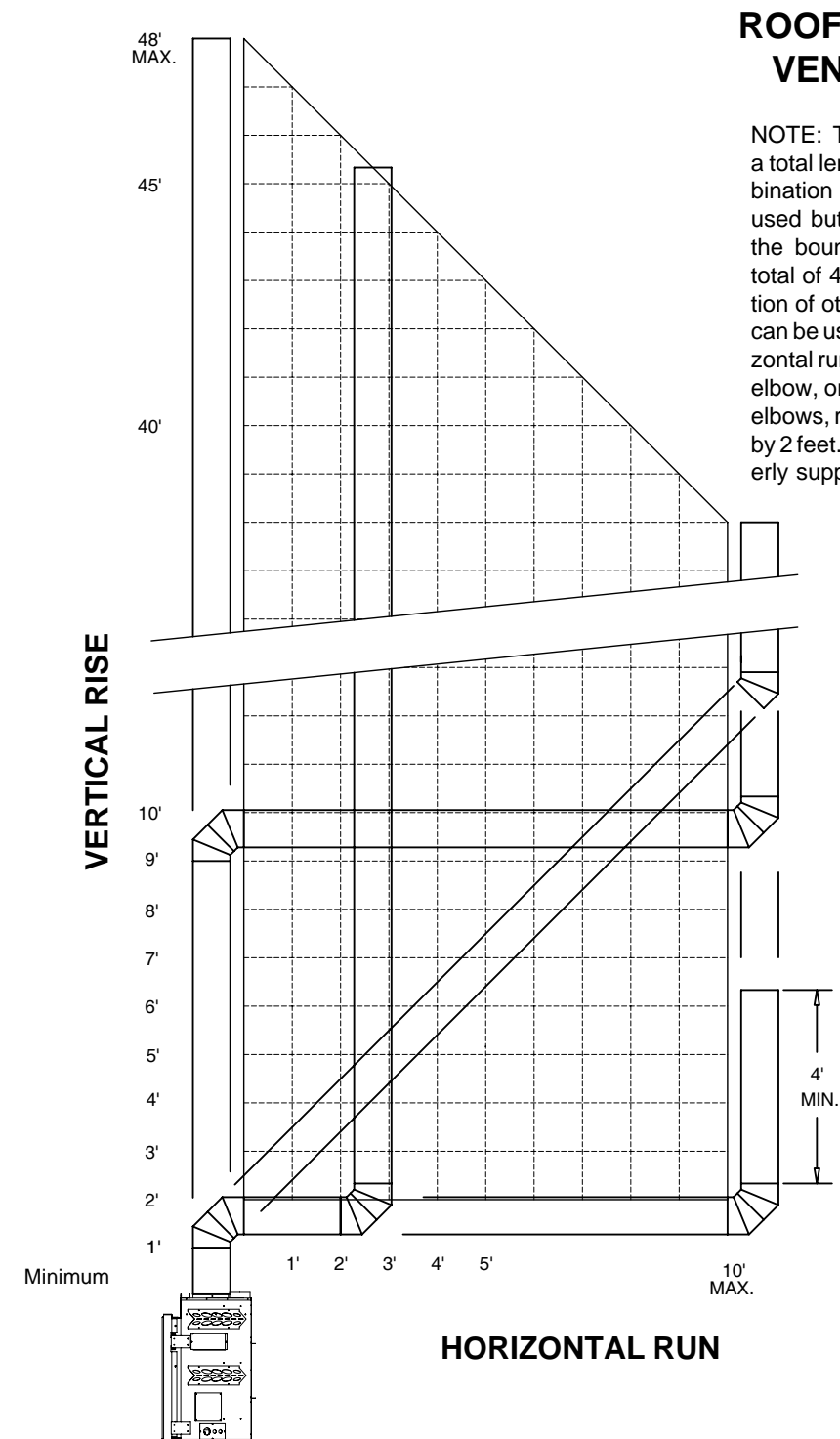
When lit for the first time, the fireplace will emit a slight odour for a couple of hours. This is due to the curing of paints, sealants and lubricants used in the manufacturing process. This condition is temporary. Open doors and windows to ventilate area. Smoke and fumes caused by the curing process may cause discomfort to some individuals. It is normal for fireplaces fabricated of steel to give off some expansion and/or contraction noises during the start up or cool down cycle. Similar noises are found with your furnace heat exchanger or cook stove oven.

OPERATING

The Town and Country Fireplace comes equipped with either a manual (millivolt) combination gas valve or an electronic gas valve. An optional wall switch or thermostat (Canada only) may be installed to operate the burner automatically on both types of valve.

Manual Valve: Once a pilot light has been established, and the gas valve knob turned to the "ON" position (Manual Valve) or simply switched on with the "Burner" switch, the unit may be operated in one of two ways; manually adjusting the flame and/or turning the unit on and off automatically with a wall thermostat.

Fig. # 16



ROOF TERMINATION VENTING CHART

NOTE: The vent must not exceed a total length of 48 feet. Any combination of rise and run may be used but must be constrained to the boundaries of this chart. A total of 4 90° elbows or combination of other elbows equalling 90° can be used without reducing horizontal run. For each additional 90° elbow, reduce horizontal vent run by 2 feet. Ensure vent pipe is properly supported.

ROOF TERMINATION VENTING

Ceiling opening:

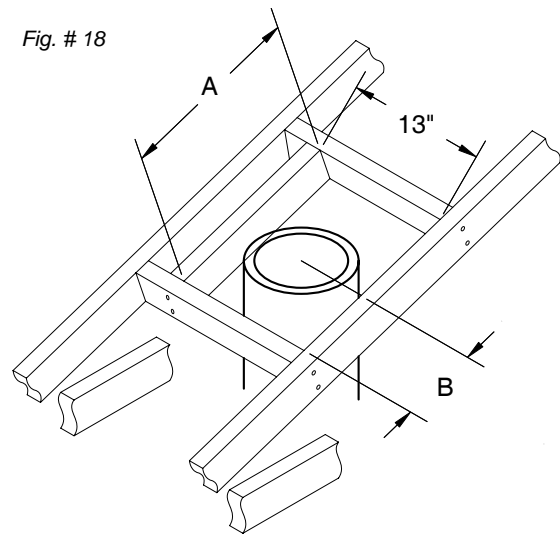
- 1) Determine the exact position of the fireplace so that the vent pipe is centered (if possible) between two building framing members. Lay out the vent system path, minimizing the number of elbows and length of vent. Consult your local building codes prior to proceeding.
- 2) Cut and frame the holes in the floor, ceiling and roof where the vent system will pass. The required minimum rough openings through the floor and ceiling are 13" wide and 19" deep. The front edge of the hole should be 6 1/2" from the centerline of the vent pipe. Size of the opening through the roof will vary and may need to be increased as the pitch of the roof increases. See figure 18 for minimum roof opening. Avoid cutting rafters.

Ceiling firestop:

Where a vent pipe passes through a floor or ceiling, a ceiling firestop must be used to retain insulation and maintain proper clearances.

From below, push the ceiling firestop through the opening and secure in place. If the firestop is used to penetrate a floor, the outer shield may be trimmed in length. If the firestop penetrates into an attic, leave the shield full length to keep insulation away from the vent pipe. Additionally, after the vent pipe is in place, install a storm collar on top of the shield. This will prevent loose insulation from falling into the area between the vent pipe and the shield.

Fig. # 18



Size of the opening will have to increase with the pitch of the roof to ensure a 1 inch air space clearance between support sleeve and combustibles. Additional space may need to be provided if the side air intake box is attached prior to installation.

Roof Pitch	A	B
0/12	13"	6 1/2"
4/12	15"	8 1/4"
6/12	16 1/2"	9 1/2"
8/12	18"	10 1/2"
12/12	22"	13"

Air intake pipe:

Attach a 5" flexible and/or rigid aluminum air intake pipe, pre-cut to the same length as the vent pipe, to the air inlet collar at the back of the unit. Secure in place with screws and seal. Slide the fireplace into its final position, while feeding the air intake through the ceiling firestop.

Vent pipe:

- 1) Install the first section of vent pipe into the collar on top of the fireplace. Secure in place with screws and seal.
- 2) Continue adding vent pipe lengths up and through the firestop(s) and through the roof. The vent pipe must extend at least 22" above the roof.

Seal the vent pipe as per "Vent Pipe Sealant" section before wrapping with insulation. Wrap the pipe with foil-back insulation provided. Insulation must cover vent pipe from the fireplace collar to the first Ceiling Firestop. Tape all insulation joints with High Temperature aluminum tape provided.

Roof support bracket:

Slip the roof support bracket down over the vent pipe. Rotate the 90° brackets to accommodate roof pitch. Attach the brackets to the roof joists with nails or building screws. Tighten the band around the vent pipe and secure in place with screws.

Fig. # 17

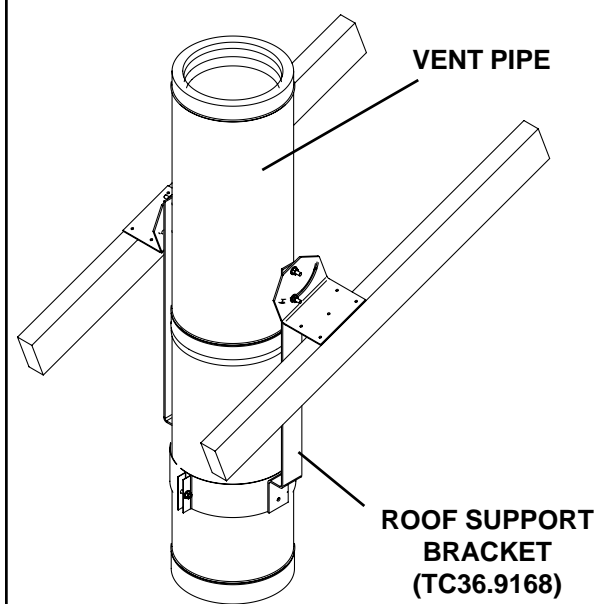


Fig. #34

Step 3 Right Log Placement

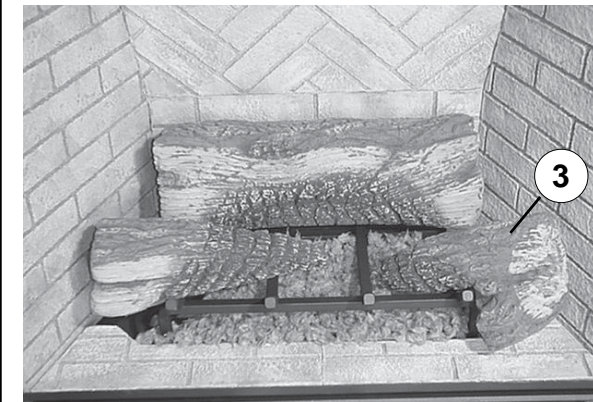
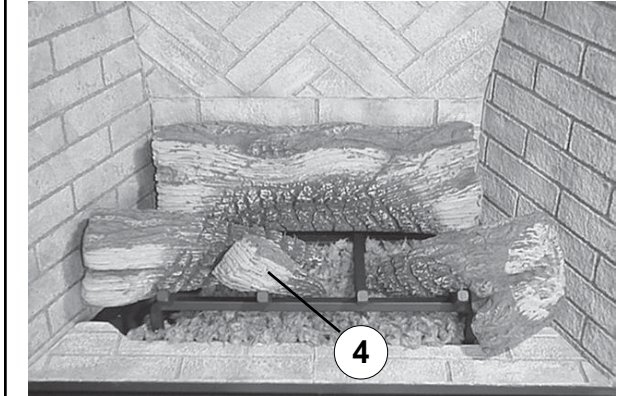
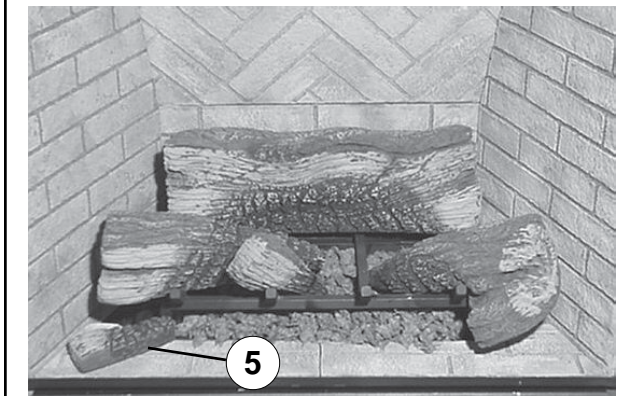


Fig. #36

Step 4 Middle Log Placement



Step 5 Bottom Left Log Placement



Note: Improper placement of logs may cause sooting on internal parts and glass. The logs may need to be repositioned slightly to avoid excessive flame impingement.

Fig. #35

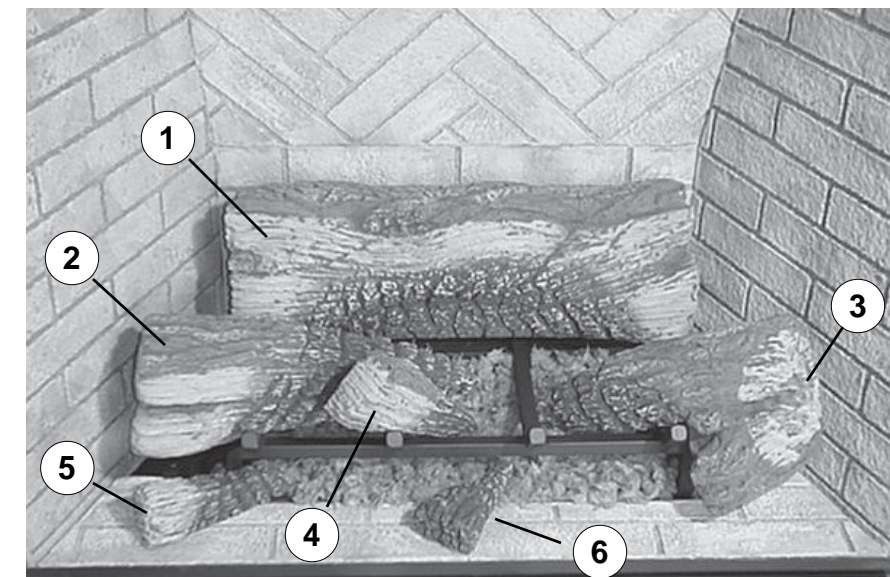
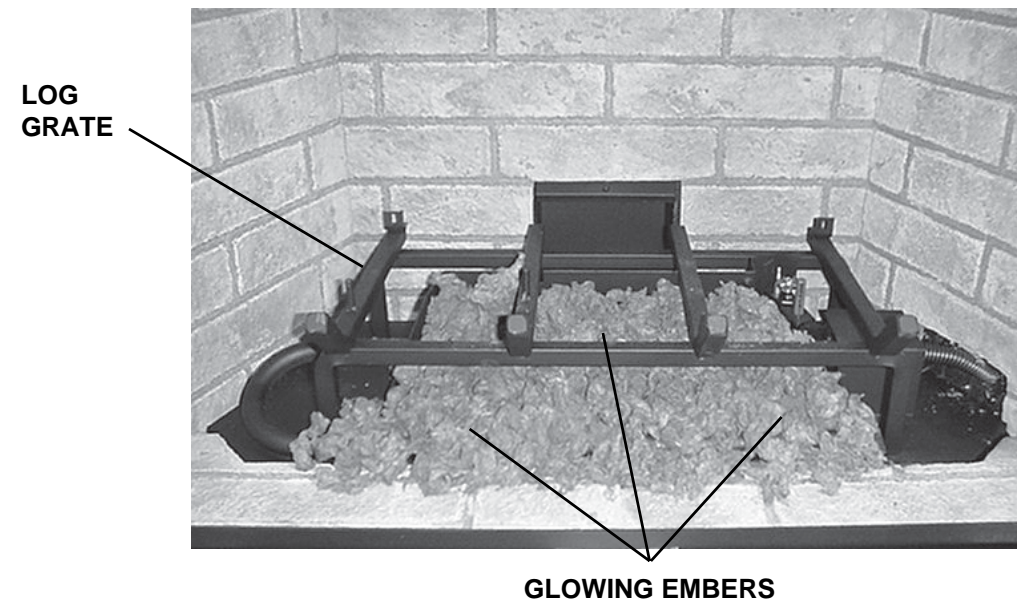


Fig. # 32

Ember Material Placement



EMBER MATERIAL

A large bag of ember material is shipped with the fireplace and needs to be installed to ensure optimum performance and flame appearance.

Pull apart the material into ember size pieces (approximately 1" squares) and gently place them into the burner pan. Do not compress, leave it loose for best performance. Fill the burner pan level with the top of the pan at rear, and gradually sloping forward down to the firebox floor at the front, covering both burner tubes. Place remaining ember material outside of the burner pan as desired to cover-up gas lines and brackets.

Note: Ember material placement and amount will affect flame appearance. More ember material results in lower flame height. Add or remove as needed until desired flame affect. Reduce the amount used on Propane models, as too much will create soot.

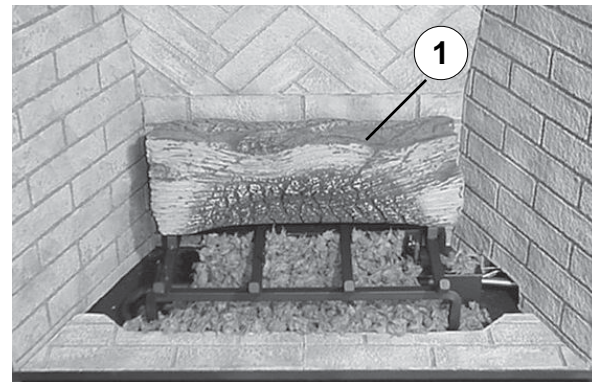
LOG SET ASSEMBLY

The logs are packaged in a foam pack inside the firebox and are fragile, and should be handled with care. Unpack and inspect log set. There should be a total of 6 logs. Gas plumbing and vent connections should be completed before proceeding.

Position the logs as indicated by the following pictures. Place the rear log back against the tabs located at the back of the grate. Place left log as pictured, engaging the pins with corresponding holes on the underside of the log. Install the right log into the grate and pull it forward into position as shown. Install the left intermediate log into the space between the left log and the front of the grate as shown. Place the two remaining small logs on the floor of the firebox as shown.

Fig. # 33

Step 1 Rear Log Placement



Step 2 Left Log Placement

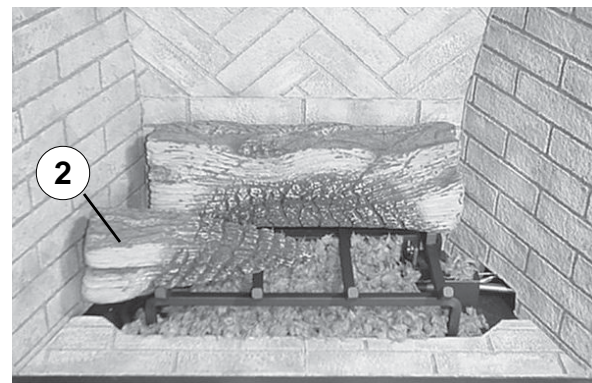
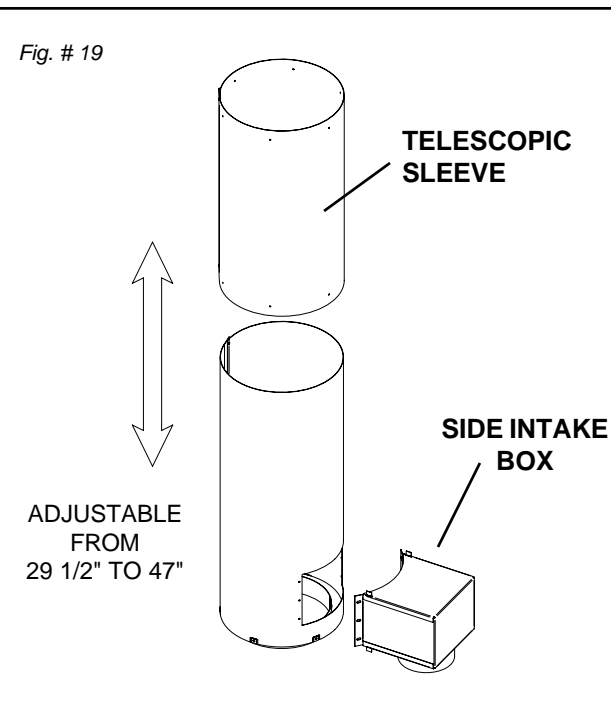


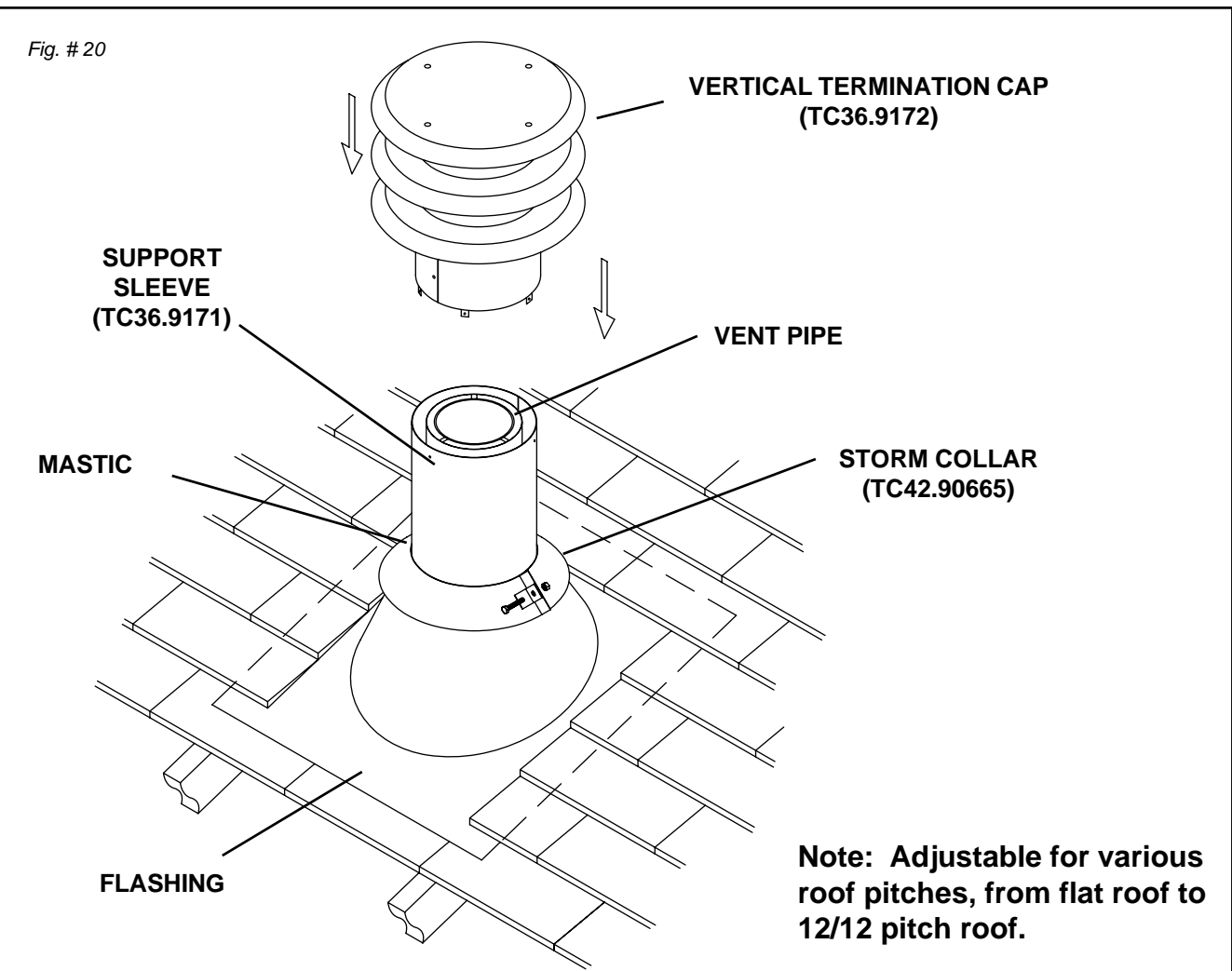
Fig. # 19



Roof vent terminal:

- 1) Slide the support sleeve over the vent pipe down through the roof opening so the top edge is even with the top edge of the vent pipe. Fasten the bottom edge of the sleeve to the vent pipe with screws and seal. Install the side intake box as shown in figure #19. Secure in place with screws and seal. Attach the flex air inlet pipe to the support sleeve. Secure in place with screws and seal.
- 2) Place the roof flashing over top of the support sleeve and nail securely to the roof using roofing nails, top and sides UNDER shingles, lower end OVER shingles to provide a watershed. Make weather tight by sealing with roofing compound (see Fig. #20).
- 3) Place the storm collar down over the support sleeve until it is level. Tighten storm collar for a snug fit. Apply a thick horizontal ring of mastic around the support sleeve at top of storm collar (see Fig. #20).
- 4) Lower the roof vent terminal cap over the sleeve and vent pipe and secure in place with screws provided (see Fig. #20). Seal screw heads and joint with caulking to prevent any moisture entering the venting system.

Fig. # 20



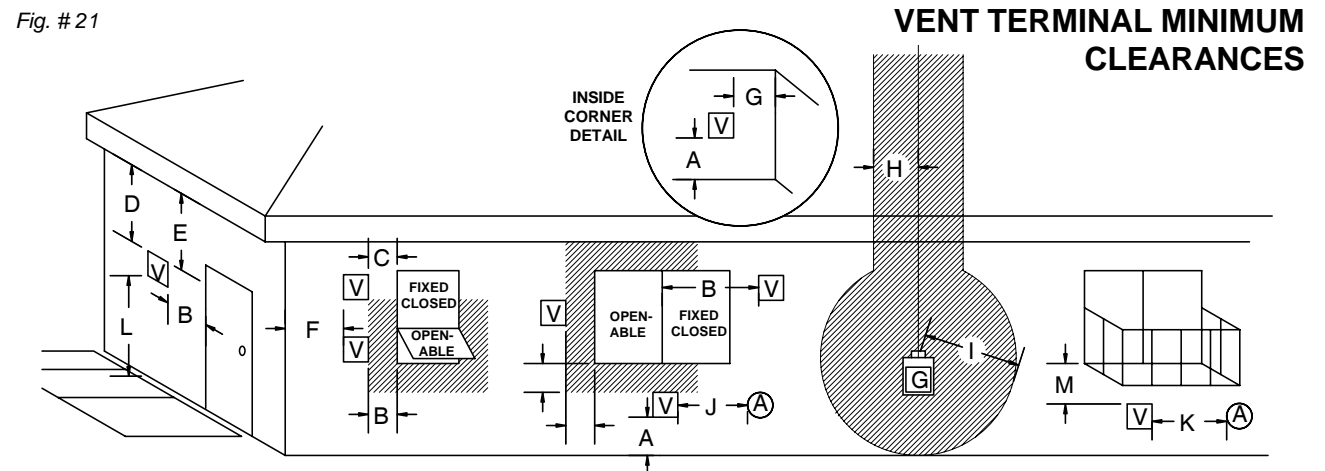
Note: Adjustable for various roof pitches, from flat roof to 12/12 pitch roof.

VENT TERMINAL CLEARANCE

Minimum clearances to the vent terminal must be maintained as shown in figures #21. Measure clearances to the nearest edge of termination hood.

NOTE: Vent terminal must not be recessed into a wall or siding.

NOTE: LOCAL CODES OR REGULATIONS MAY REQUIRE DIFFERENT CLEARANCES.



V VENT TERMINAL
 A AIR SUPPLY INLET
 AREA WHERE TERMINAL IS NOT PERMITTED
 G GAS METER

A= clearances above grade, veranda, porch, deck, or balcony [* 12 inches (30 cm) minimum]
 B= clearance to window or door that may be opened [* 12 inches (30 cm) minimum]
 C= clearance to permanently closed window [minimum 12 inches (30 cm) recommended to prevent condensation on window]
 D= vertical clearance to ventilated soffit located above the terminal within a horizontal distance of 2 feet (60 cm) from the edge of the terminal [18 inches (46 cm) minimum]
 E= clearance to unventilated soffit [18 inches (46 cm) minimum]
 F= clearance to outside corner [12 inches (30 cm) minimum]
 G= clearance to inside corner [12 inches (30 cm) minimum]

H= * not to be installed above a meter/regulator assembly within 3 feet (90 cm) horizontally from the center-line of the regulator
 I= clearance to service regulator vent outlet [* 6 feet (1.8 m) minimum]
 J= clearance to nonmechanical air supply inlet to building or the combustion air inlet to any other appliance [* 12 inches (30 cm) minimum]
 K= clearance to a mechanical air supply inlet [* 6 feet (1.8 m) minimum]
 L= ^ clearance above paved side-walk or a paved driveway located on public property [* 7 feet (2.1 m) minimum]
 M= clearance under veranda, porch, deck, or balcony [18 inches (46 cm) minimum**]

^ a vent shall not terminate directly above a side-walk or paved driveway which is located between two single family dwellings and serves both dwellings*

** only permitted if veranda, porch, deck, or balcony is fully open on a minimum of 2 sides beneath the floor*

* as specified in CGA B149 Installation Codes, Note: local Codes or Regulation may require different clearances

* for U.S.A. Installations follow the current National Fuel Gas Code, ANSI Z223.1

BRICK PANELS INSTALLATION

The Brick Panels have to be installed for safe operation. Do not use the fireplace without panels. Unpack and inspect all panels. The panels need to be installed before the logs are in place.

Caution: The Brick Panels are very fragile, and should be handled with care.

- 1) Remove the log grate by removing the two screws retaining it. Screws are located behind the front legs of the grate.
- 2) Remove the Side Panel Retainers located on the underside of the upper firebox heatshield. The retainers are each held in place by one screw.
- 3) Install the Lower Rear Panel.
- 4) Install the Right Side Panel by inserting the bottom of the panel in first and then angling it up into position.
- 5) Install the Left Side Panel by inserting the bottom of the panel in first and then angling it up into position.

The rear panel is held tight against the side panels by two "V" brackets located on the firebox rear wall. Although the brackets are adjusted at the factory for the best fit, some adjustment may be necessary. Adjust the angle of the bracket by hand to ensure a snug fit.

- 6) Install the Rear Upper Panel.
- 7) Re-install the Side Panel Retainers.
- 8) Install the Left and Right Front Panels.
- 9) Replace the Grate.

Fig. #31

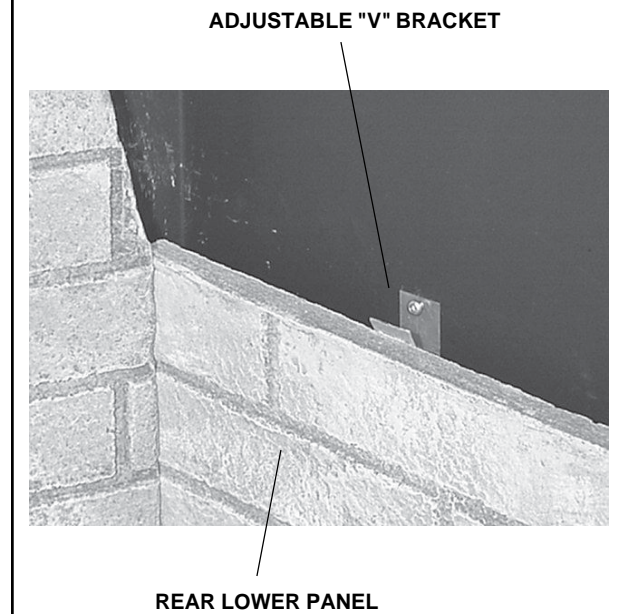
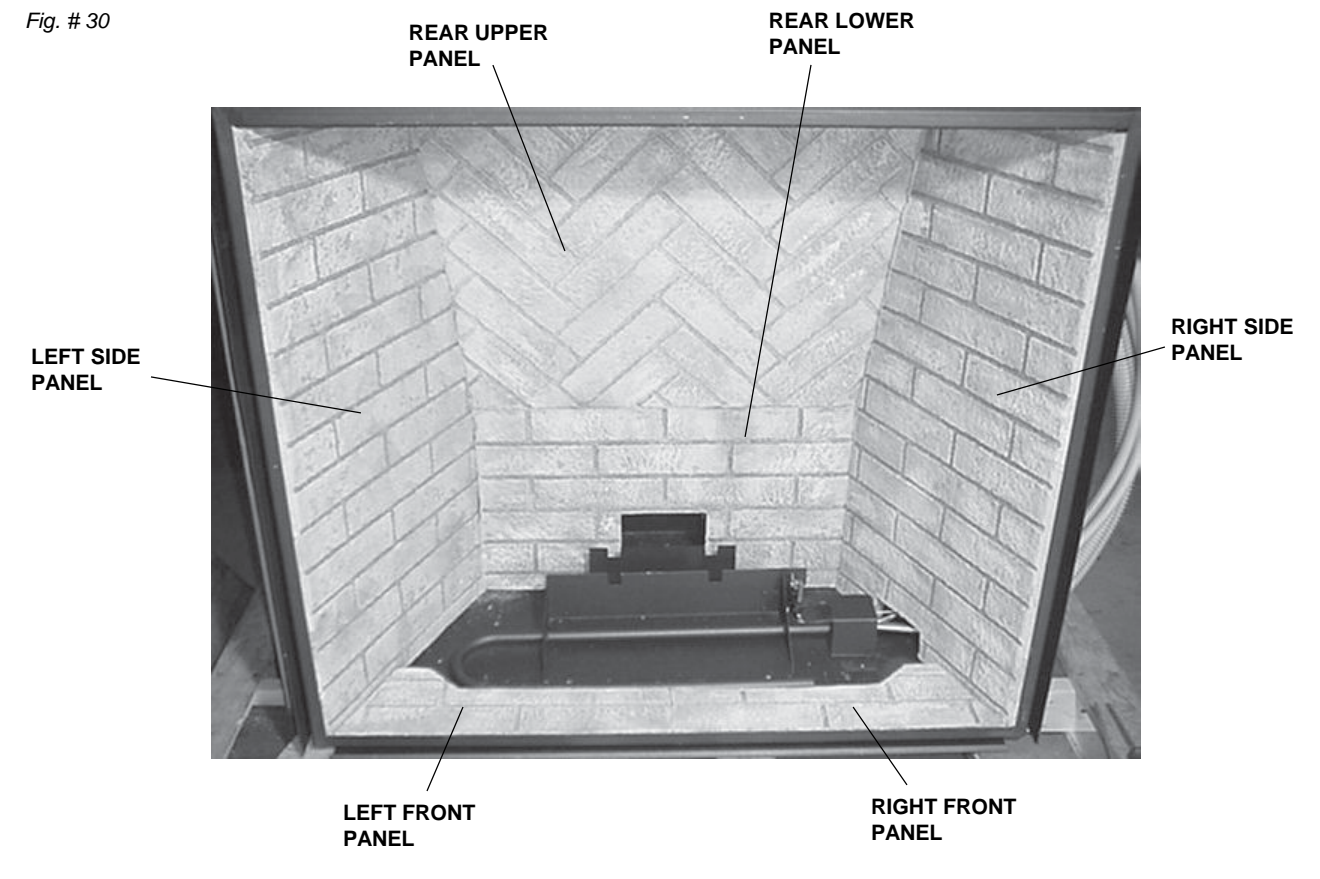


Fig. #30



WINDOW FRAME REMOVAL

Warning: Turn off the fireplace, and allow ample time for the unit to cool before proceeding.

Caution: The ceramic glass is very fragile, and should be handled with care.

The window frame is held in place by two spring-loaded latches and are operated by a removable handle. The handle is located in the Control Box.

- 1) Insert the latch handle onto the catch located 6" down from the top corners. Rotate up to disengage each of the two catches.
- 2) Tilt the top of the window frame out to clear the top edge of the unit. Grasp the sides of the frame and lift up and out to disengage from its bottom track.
- 3) Place the window frame in a safe place to avoid damage.

Reassemble in reverse order.

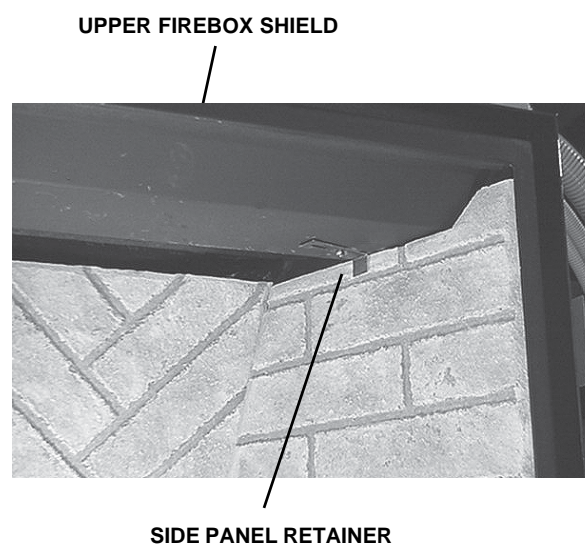
Fig # 28



Fig # 27



Fig # 29



VENT PIPE SEALANT

(supplied with the appliance)

All joints in the vent and air intake pipe must be sealed.

Use Mil Pack Black sealant provided to seal the joint between the first section of vent pipe and the top of the fireplace and any other joint below the first Ceiling Firestop or the Horizontal Terminal Adapter. Run a 1/8" wide bead of sealant around exterior of these joints.

All subsequent joints, including the combustion air intake pipe can be sealed with the High Temperature Aluminum tape provided. Wrap the tape completely around the joint and press firmly in place.

Fig. #23

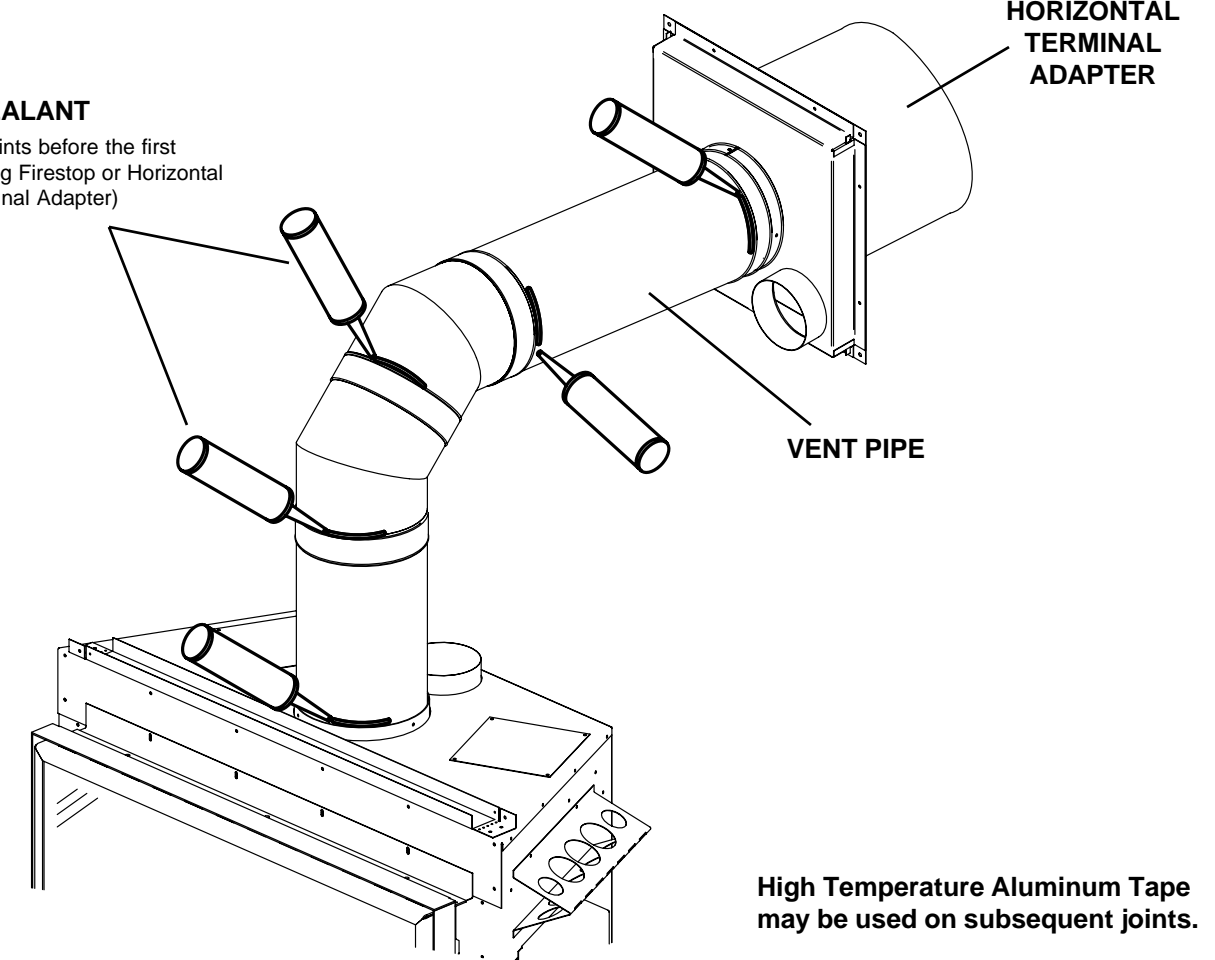
VENT PIPE SEALANT

SEALANT

(all joints before the first Ceiling Firestop or Horizontal Terminal Adapter)

HORIZONTAL TERMINAL ADAPTER

VENT PIPE



High Temperature Aluminum Tape may be used on subsequent joints.

VENT RESTRICTOR ADJUSTMENT

The vent restrictor is located on the underside of the firebox top. The unit leaves the factory with the vent restrictor wide open. The restrictor is built into the appliance for secondary air flow adjustment. Adjustment enables tuning the airflow for optimum flame appearance and performance for a wide variety of vent configurations.

Setting:

- determine the vent height
- determine the vent horizontal length
- from the chart determine the restrictor position

Refer to the chart and Fig. 25 for the correct position of restrictor for the vent configuration of your installation. Restrictor positions are based upon lab tests. The ideal position may vary slightly with installation.

Restriction is too much if the flame has the following characteristics:

- Flame is excessively tall and lifting.
- Flame lacks movement.
- Flame soots.

Restriction is too little if the flame has the following characteristics:

- Flame height is low.
- Flame has excessive movement.

To adjust the restrictor:

- Loosen the screw holding the restrictor.
- Push the restrictor back to its intended opening.
- Tighten the screw

Fig. #24

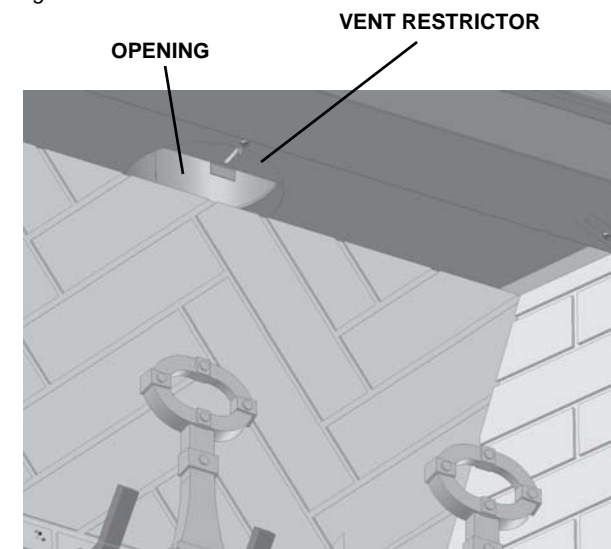
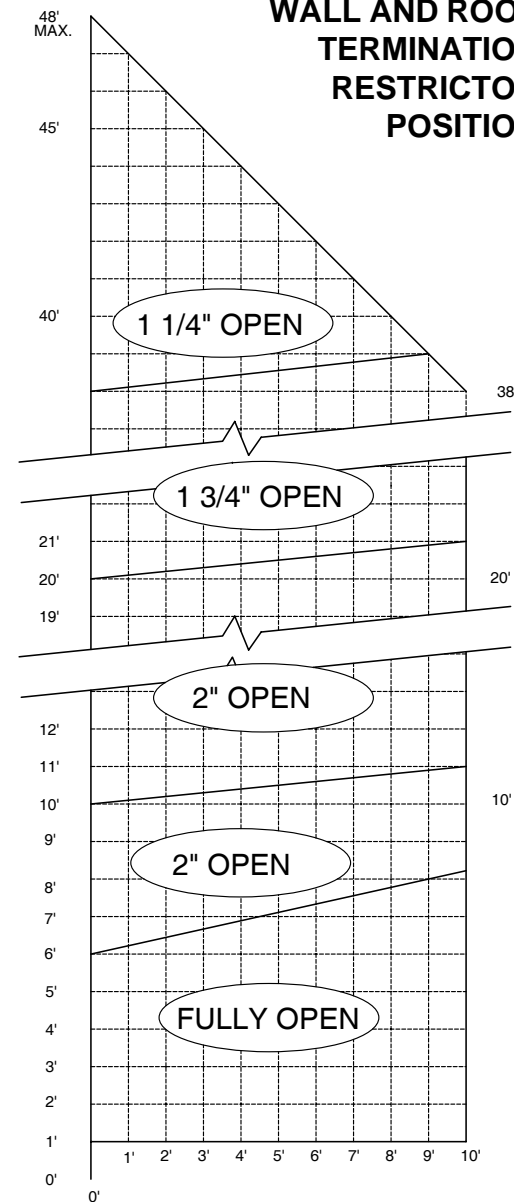


Fig. #25

WALL AND ROOF TERMINATION RESTRICTOR POSITION



MANUFACTURED (MOBILE) HOME

In some jurisdictions, the Town & Country Fireplace may be installed in Manufactured Homes after the "first sale". **Consult local codes for approval.** The fireplace must be fastened in place.

Install in accordance with the current standard Mobile Homes, CAN/CSA Z240 MH (in CANADA), and the Manufacturer's Home Construction and Safety Standard, Title 24 CFR, Part 3280 or the current Standard for Fire Safety Criteria for Manufactured Home Installations, Sites and Communities ANSI/NFPA 501A (in the U.S.A.).

GAS SUPPLY

Caution: The gas line should be installed by a qualified service person in accordance with all building codes. This section is intended as a guide for qualified technicians installing this appliance. Consult local and/or national building codes before proceeding.

Gas supply line may enter the Control Box at the bottom right side. Gas valve inlet accepts a 3/8" N.P.T. fitting. Correct gas line diameter must be used to assure proper operation.

The gas control is equipped with a capture screw type pressure test port, therefore it is not necessary to provide an 1/8 inch N.P.T. plugged tapping pressure port for checking gas pressure immediately upstream of the gas supply connection to the appliance.

Correct gas pressure requirement:

	Natural Gas	Propane
Min. Pressure <small>(For purpose of input adjustment)</small>	5.0" wc	12.5" wc
Max. Pressure	13.9" wc	13.9" wc
Manifold Pressure		
Maximum	3.8" wc	11" wc
Minimum	2.1" wc	5.5" wc

Recommended Thermostat Wire Size

Wire Size	Max. Length
14 ga.	100 ft.
16 ga.	60 ft.
18 ga.	40 ft.
20 ga.	25 ft.
22 ga.	18 ft.

OPTIONAL WALL SWITCH OR THERMOSTAT (Canada Only)

Note: Use of a wall thermostat is only permitted in Canada.

WARNING: Do not connect 110 - 120 VAC to the gas control valve or control wiring system of this unit.

Manual Millivolt Valve Only: No electrical connection is required for the gas system operation. The self-generating pilot provides current for the remote wall switch or wall thermostat (not provided).

The installation of a wall switch allows for manual remote operation of fireplace, and automatic operation with a wall thermostat. Use a switch or thermostat that is millivolt rated.

Position the wall switch or thermostat so that a minimum length of wire is used from the switch to the fireplace. Use appropriate wire gauge for length of wire. Connect the wall switch to the valve as shown in figure #26.

Fig #26

MANUAL MILLIVOLT VALVE

