

**IMPORTANT:
THESE INSTRUCTIONS ARE TO REMAIN
WITH THE HOMEOWNER**

These instructions are supplementary to the Installation and Operating Instructions supplied with the fireplace and should be kept together. Refer to the Installation and Operating Instructions for proper gas supply, safety requirements and operating instructions.



TOWN & COUNTRY
LUXURY FIREPLACES

HELIFIRE 360 FLUSH MOUNT POWER VENT KIT INSTALLATION AND OPERATING INSTRUCTIONS



MODEL: TCVT.PVFMA



Visit www.townandcountryfireplaces.net for the most recent version of this manual

Dimensions

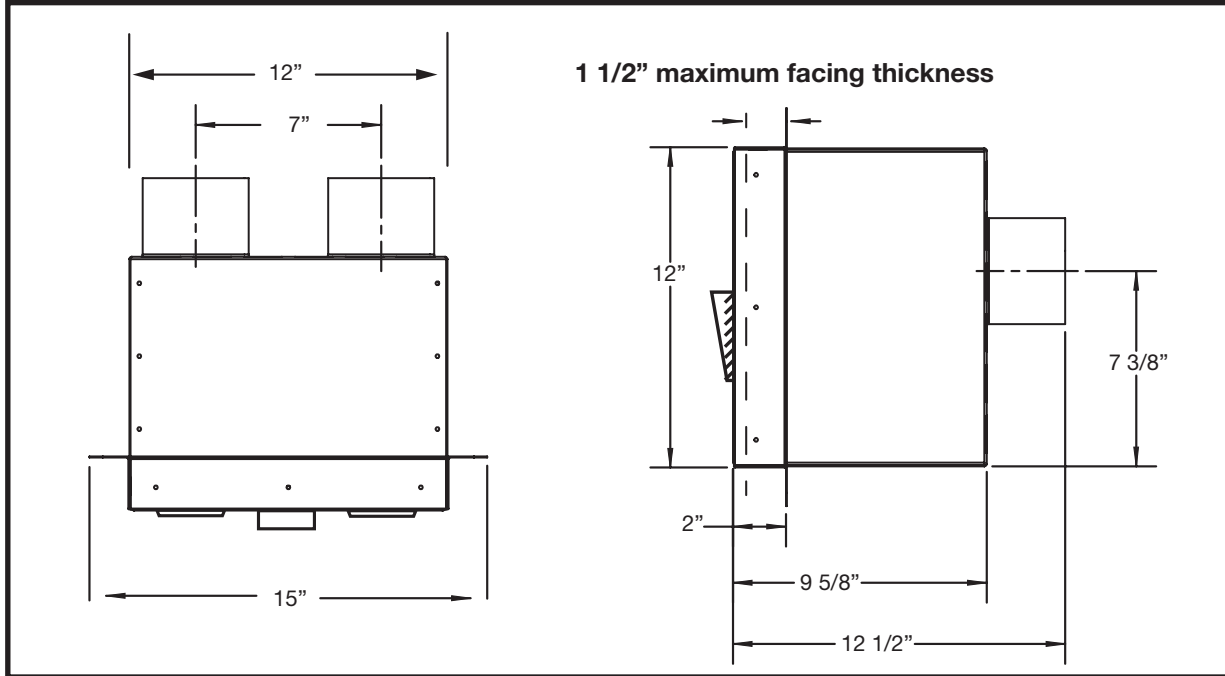


Figure 1: Flush mount power vent dimensions.

Venting Configurations

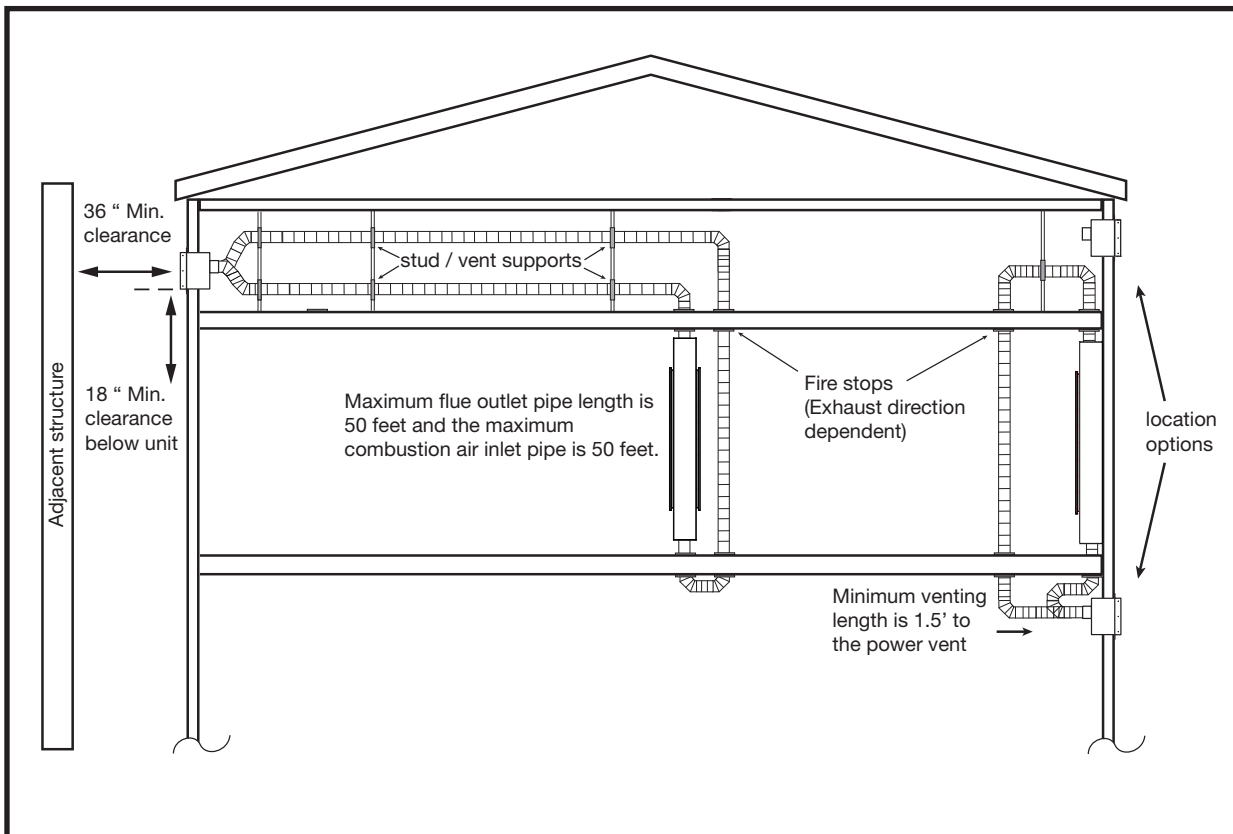


Figure 2: Helifire 360 Surface mount venting configurations.

Minimum Clearances

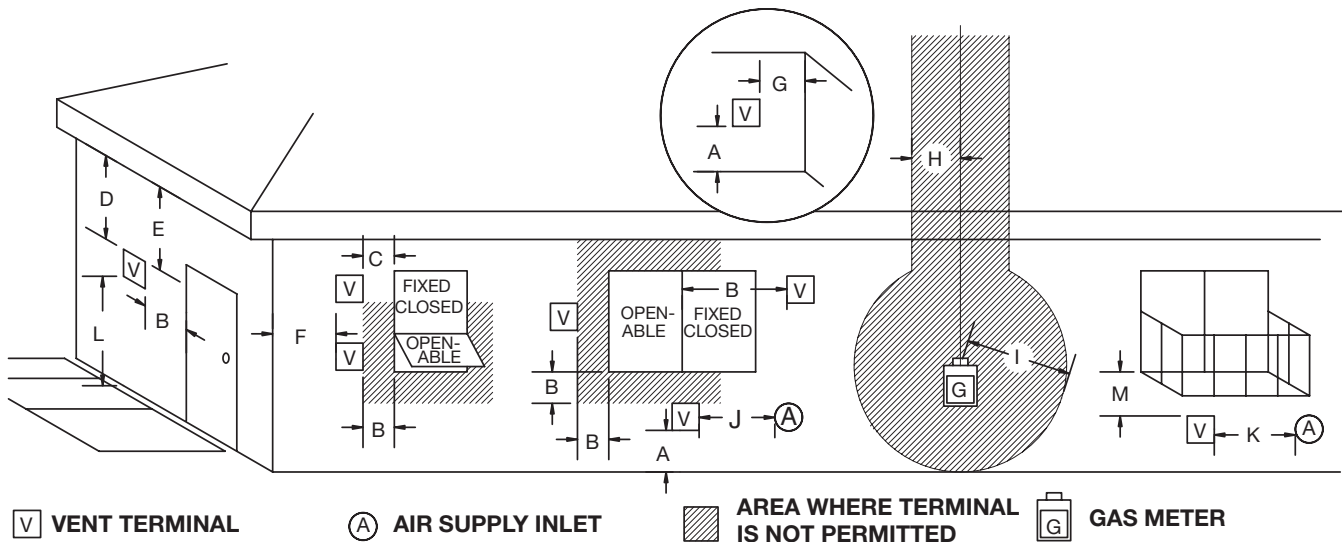


Figure 3: Vent terminal minimum clearances.

| | | |
|----|------------------------|--|
| A= | See bottom of page | Clearances above grade, veranda, porch, deck, or balcony. (See "Power Venting Clearances" for flush mount rule. |
| B= | *18 in. (45 cm) min. | Flush mount clearance to window or door that may be opened. (See Figure 4). |
| C= | 12 inches (30 cm) min. | Clearance to permanently closed window recommended to preventing condensation on window. |
| D= | 0 inches (0 cm) min. | Vertical clearance to ventilated soffit located above the terminal within a horizontal distance of 2 feet (60 cm) from the edge of the terminal. |
| E= | 0 inches (0 cm) min. | Clearance to unventilated soffit. |
| F= | 6 inches (15 cm) min. | Clearance to outside corner. |
| G= | 6 inches (15 cm) min. | Clearance to inside corner. |
| H= | 3 feet (90 cm) min. | *Not to be installed above a meter/regulator assembly within 3 feet (90 cm) horizontally from the center-line of the regulator. |
| I= | *6 feet (1.8 m) min. | Clearance to service regulator venting outlet. |
| J= | *18 in. (45 cm) min. | Clearance to non mechanical air supply inlet to building or the combustion air inlet to any other appliance. (See Figure 4). |
| K= | *6 feet (1.8 m) min. | Clearance to a mechanical air supply inlet. |
| L= | *7 feet (2.1 m) min. | ^ Clearance above paved side-walk or a paved driveway located on public property. |
| M= | **0 inches (0 cm) min | Clearance under veranda, porch, deck, or balcony. |

^ a venting shall not terminate directly above a side-walk or paved driveway which is located between two single family dwellings and serves both dwellings*

** only permitted if veranda, porch, deck, or balcony is fully open on a minimum of 2 sides beneath the floor*

* as specified in CAN/CSA B149.1 Installation Codes, Note: local Codes or Regulation may require different clearances

* for U.S.A. Installations follow the current National Fuel Gas Code, NFPA54/ANSI Z223.1

Power Venting Clearances

Flush mount power venting must have a minimum of 18 inches clear below the bottom of the power vent, and 36 inches clearance in front of power vent.

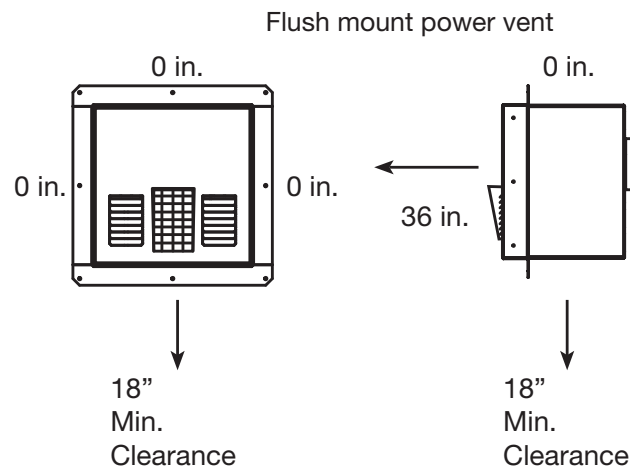


Figure 4: Flush mount clearances.

Electrical Connection

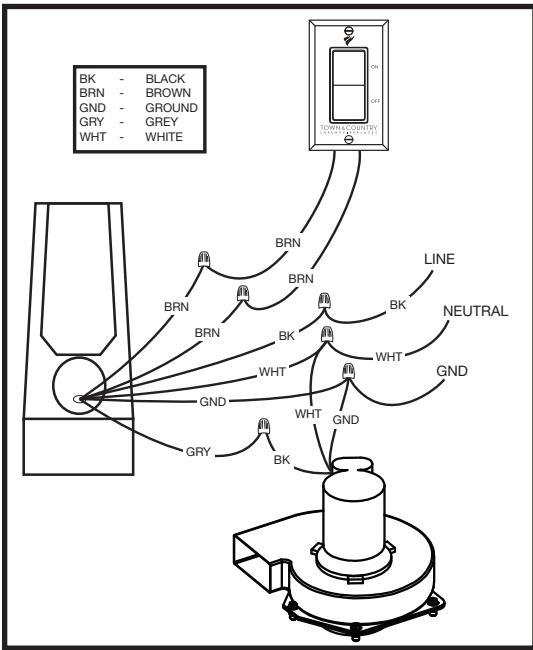


Figure 5: Wiring instructions.

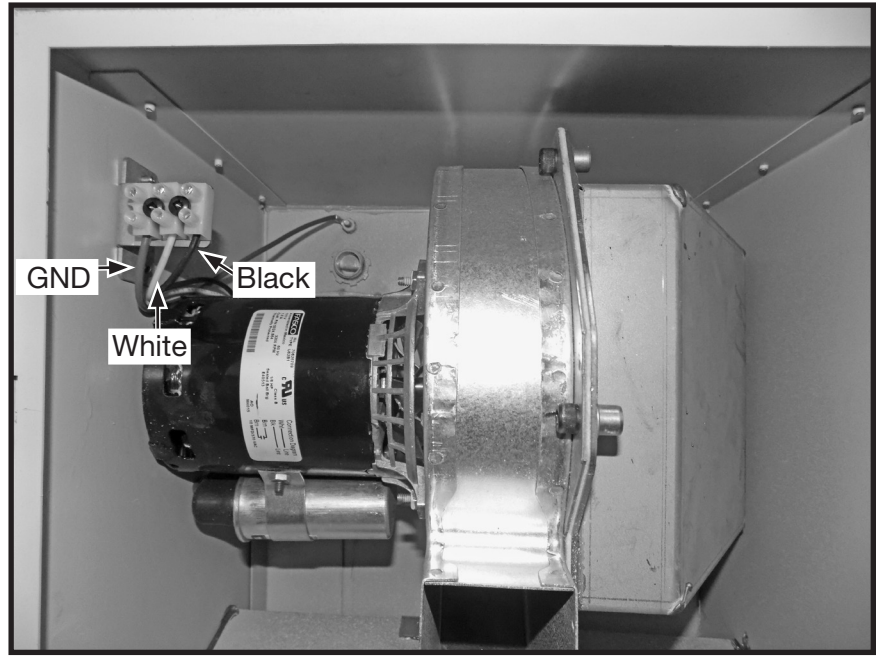


Figure 6: Flush mount wiring.

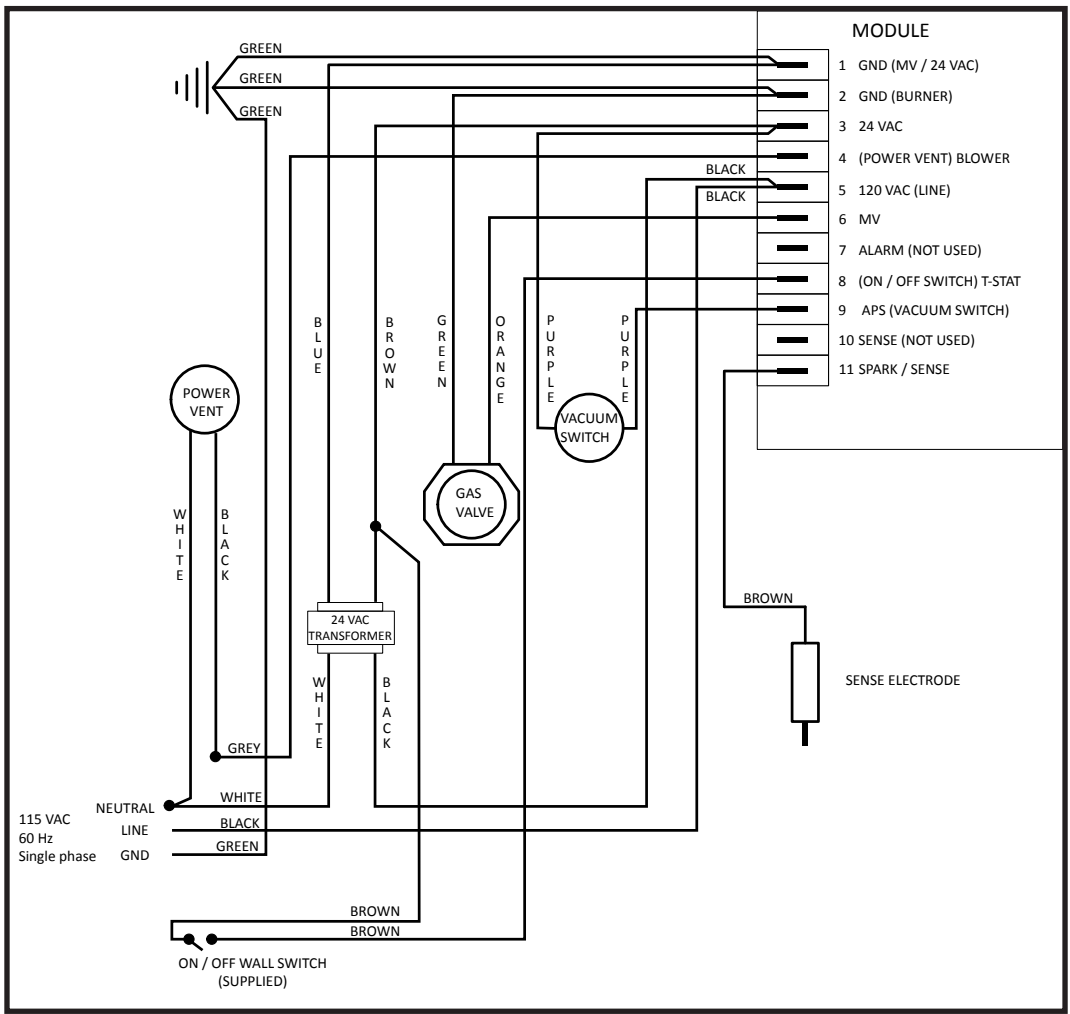


Figure 7: Helifire 360 wiring diagram.

Framing

The power vent can be framed in using standard lumber. The rear of the power vent can be protected from outside moisture by placing a non-combustible, moisture resistant cover over it. If using a non-combustible cover for the rear of the power vent, the 1/4 inch clearance does not apply.

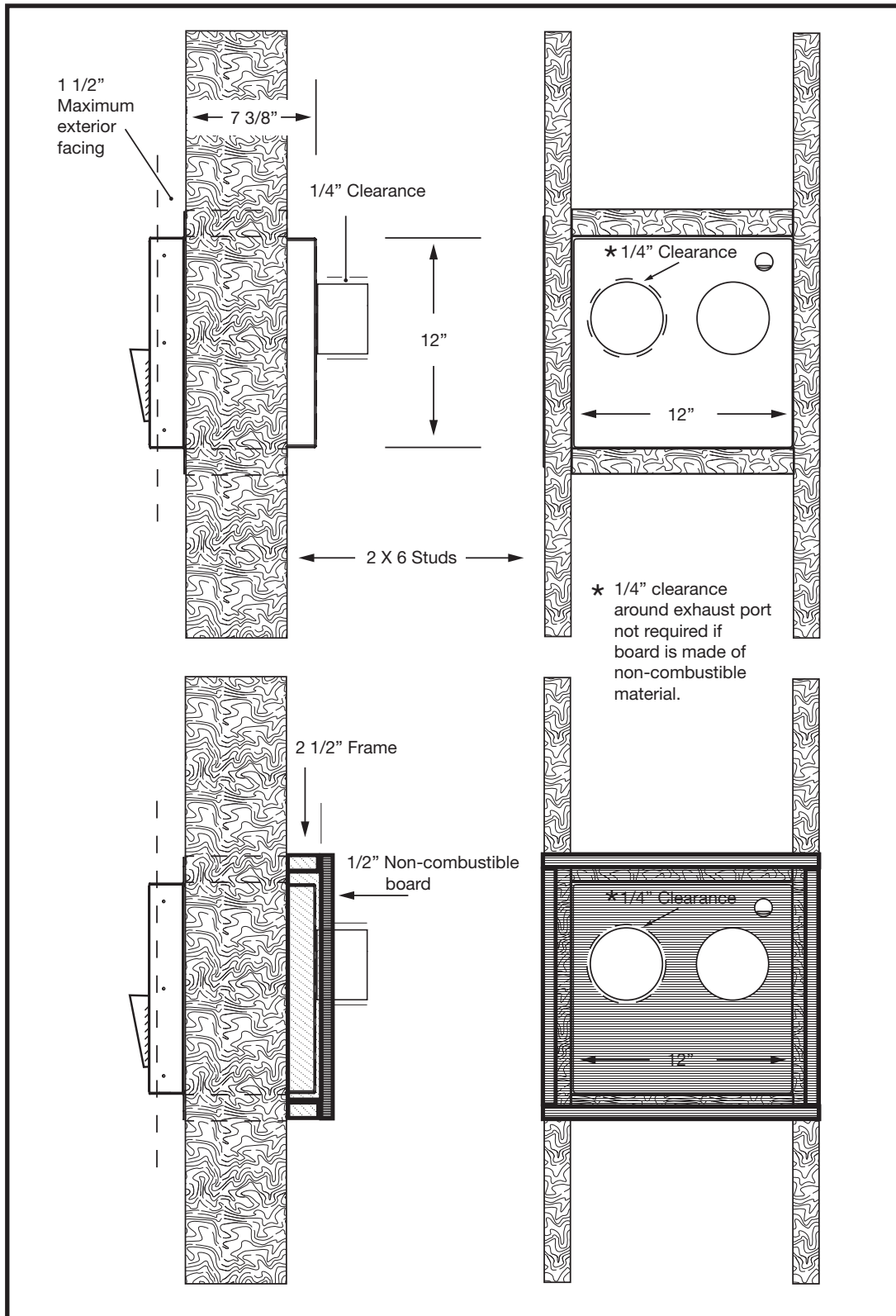


Figure 8: Framing in the power vent.

Venting

Exhaust venting options

The Helifire 360 has three exhaust venting options. The default exhaust position is at the exhaust end of the Helifire 360. The other two are at the left and the right sides of the Helifire 360 (Figure 9).

To change exhaust vent position:

1. Remove the flue collar from the exhaust end of the Helifire 360.
2. Remove the cover plate from the desired side of the Helifire 360 and secure the flue collar to that opening.
3. Secure the left over cover plate to the exposed opening.

Note: The intake vent has only one position which is at the opposite end of the Helifire 360 body.

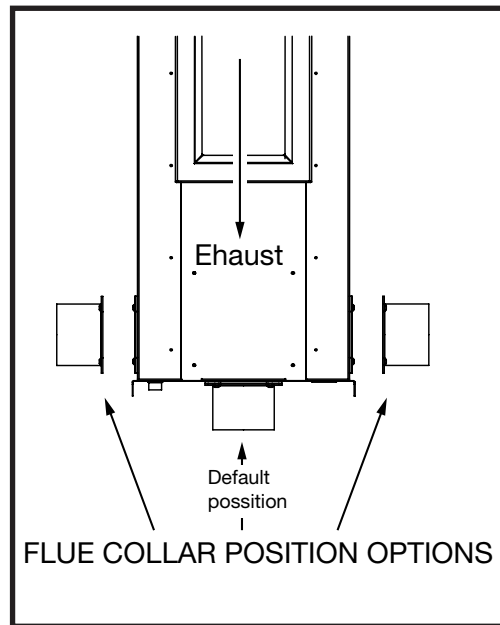


Figure 9: Exhaust position options.

Power venting - flexible venting connection

Use supplied hose clamps to secure the flexible venting to the power venting collar. For additional security, apply at least one self tapping screw through vacant screw slots on the band. This will ensure that the venting never works its way off of the collar.

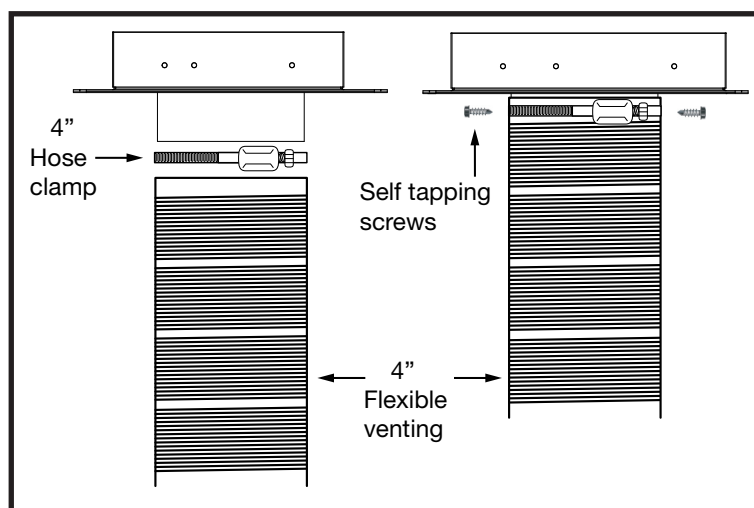


Figure 10: Intake and exhaust vent connections.

Venting through combustible ceiling or floor

Fire stops are used to protect combustible floor, ceiling and wall material from open flame present outside of the unit. They surround the flexible venting material as it passes through combustible material

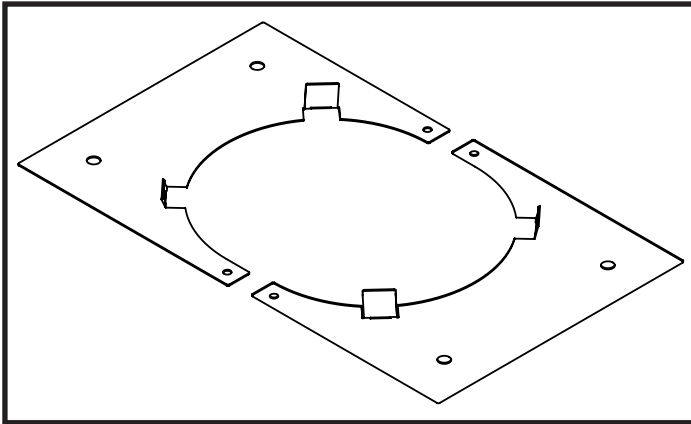


Figure 11: Helifire 360 Firestops.

NOTE

1 pair of Firestop come with the Flush mount vent kit. Use as many firestops as is necessary to maintain a 1/4 inch clearance between the flexible vent and any combustible material throughout the length of the exhaust portion of the flexible vent. If additional firestops are required, packages of 2 pair can be ordered through a Town & Country Retailer.

Stud Supports

Stud supports for 2x6 studs are used to guide the flexible venting from the fire feature venting collar to the power venting exhaust. Use stud supports to maintain the structural integrity of the supports and to keep the venting from unnecessary movement. These supports can also be used to guide the venting through a floor or ceiling. To install, cut out a 4 5/8" section of a stud and fasten two supports to each stud. The Helifire 360 comes with 4 pairs of supports. Additional supports can be ordered from a Town & Country Retailer.

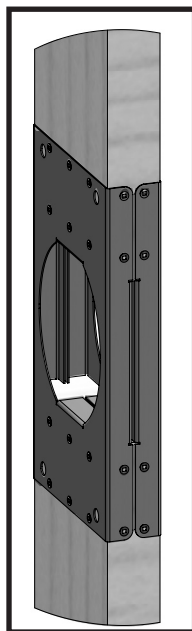


Figure 12: Stud support brackets on 2 X 6.

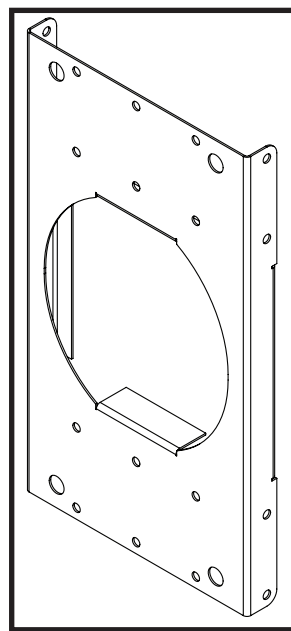


Figure 13: Stud support brackets.

NOTE

4 pair of Stud Bracket Supports come with the and the Flush mount vent kit. Use as many supports as is necessary to maintain a 1/4 inch clearance between the flexible vent and any combustible studs the venting runs through. If additional stud support brackets are required, packages of 4 pair can be ordered through a Town & Country Retailer.

Vent Stand-Offs

Vent stand-offs (Figure 14) are used to maintain a 1/4 inch gap between combustible surfaces and the flexible venting material (Figure 15). The flexible venting material may come into direct contact with non-combustible material.

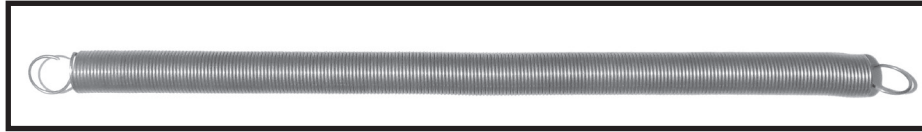


Figure 14: Vent stand-off.

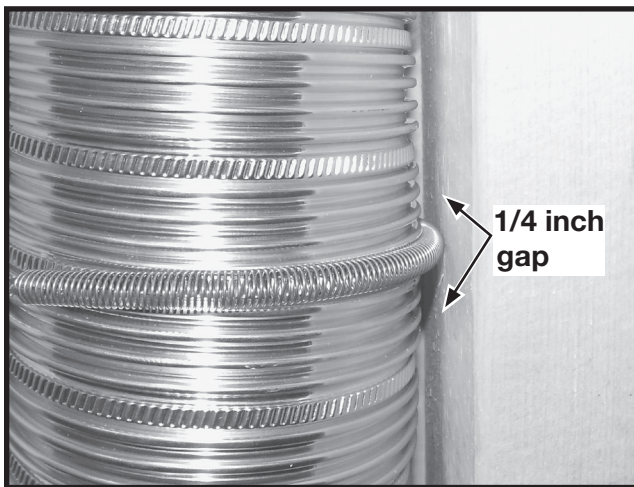


Figure 15: Gap created by stand-off.

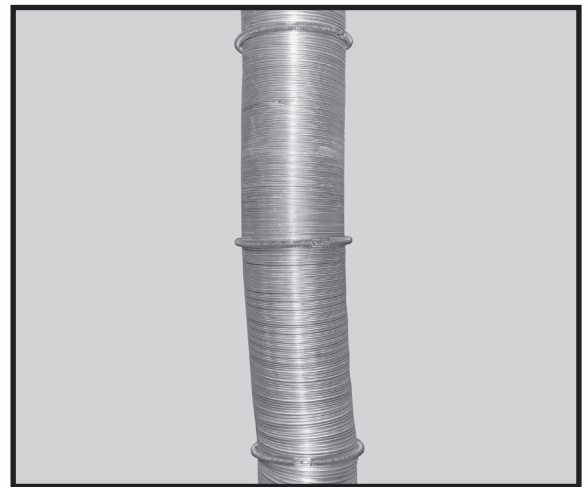


Figure 16: Vent stand-offs example.

NOTE

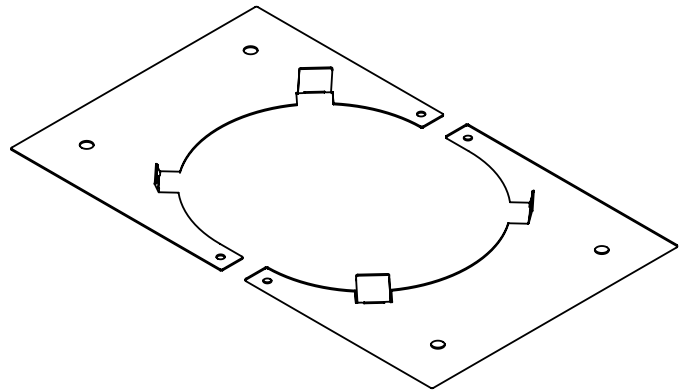
20 vent stand-offs come with the Flush mount power vent. Use as many stand-offs as necessary to maintain a 1/4 inch clearance between the flexible vent and any combustible material throughout the length of the exhaust portion of the flexible vent. If additional stand-offs are required, packages of 20 can be ordered through a Town & Country Retailer.

Replacement Parts

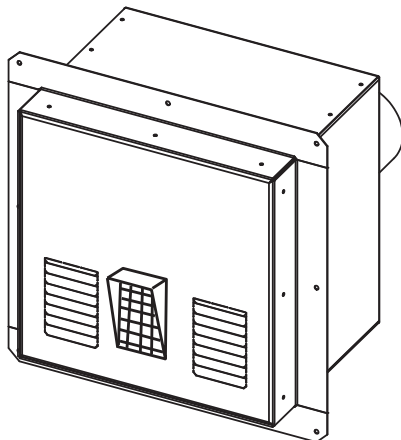
| Part | Part number |
|--------------------------------------|---|
| Flush mount power vent kit..... | 22270001 |
| | Includes 2 x 25' - 4" aluminum flex pipe Includes 4 pairs of stud brackets |
| Vent extension kit | 22270008 |
| | 4" aluminum flex pipe 2-25' sections |
| Stud bulkhead kit (4 pair) | 22490004 |
| Helifire 360 Firestops (2 pair)..... | 80000575 |
| Vent stand-offs (20 pcs) | TCRP.5094079A |



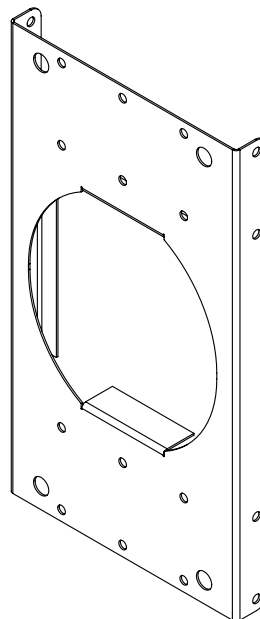
Vent stand-offs
20 pieces



Helifire 360
Fire stops



Flush mount power vent kit.



Stud bulkhead kit.
8 pieces

© 2017 Copyright Pacific Energy Fireplace Products LTD

Reproduction, adaptation, or translation
without prior written permission is prohibited,
except as allowed under the copyright laws.



For technical support, please contact your retailer.

**Web site: www.townandcountryfireplaces.net
2975 Allenby Rd., Duncan, BC V9L 6V8**