

INSTALLATION MANUAL

INSTALLER: Leave this manual with the appliance.
CONSUMER: Retain this manual for future reference.

WARNING: If the information in these instructions is not followed exactly, a fire or explosion may result causing property damage, personal injury or death.

FOR YOUR SAFETY

Installation and service must be performed by a qualified installer, service agency or the gas supplier.

WHAT TO DO IF YOU SMELL GAS

- Do not try to light any appliance.
- Do not touch any electrical switch.
- Do not use any phone in your building.
- Immediately call your gas supplier from a neighbour's phone. Follow the gas supplier's instructions.
- If you cannot reach your gas supplier call the fire department.

Do not store or use gasoline or other flammable vapors and liquids in the vicinity of this or any other appliance.

This appliance may be installed in an aftermarket permanently located, manufactured home (USA only) or mobile home, where not prohibited by local codes.

This appliance is only for use with the type of gas indicated on the rating plate. This appliance is not convertible for use with other gases, unless a certified kit is used.

This appliance is suitable for installation in a bedroom or bed sitting room.



TOWN & COUNTRY
L U X U R Y F I R E P L A C E S

TC36D2 & TC36D2 ARCH INSTALLATION MANUAL



**MODEL: TC36 & TC36ARCH
SERIES D2
DIRECT VENTED DECORATIVE
GAS APPLIANCE**

This is a decorative product and is not intended to be used as a heating appliance.

Visit www.townandcountry.com for the most recent version of this manual

Table of Contents

Table of Contents

Table of Contents	2
Caution	3
Safety	3
Important Note for the Commonwealth of Massachusetts	4
Fireplace Dimensions	5
Minimum Clearances to Combustible Material	6
Installation Requirements	7
Manufactured (Mobile) Home	7
Door Frame Removal	7
Top Standoffs	8
Locating The Fireplace	8
Framing and Finishing	9
TC36D2 Minimum	10
Combustible Framing Dimensions	10
TC36D2 Arch Minimum	
Combustible Framing Dimensions	10
TC36D2 Steel Stud Framing Kits	
(regular and arched)	12
Fixed Lintel	14
Framing Kit Adjustment.....	14
Hearth Extension	15
Fireplace Facing Allowance	15
Electrical	16
Installation	16
Wall Switch and Remote Control	17
Wall Switch to IFC Communication Cable Continuity Check ..	17
Selecting Natural Vent and Power Vent Modes	18
Bluetooth Wall Switch Home Automation	19
Basic Wall Switch Home Automation	19
Gas Supply	20
Gas Pressure Check	20
Venting	21
Wall Termination Venting	21
Wall thimble:.....	22
Town & Country approved vent system components.....	22
Vent pipe:.....	23
Wall vent terminal:	

.....	23
Wall Termination Venting Chart	24
Roof Termination Venting Chart	25
Ceiling Opening:.....	26
Ceiling Firestop:	26
Vent Pipe:.....	26
Roof Support Bracket:	26
Roof Vent Terminal:	27
Vent Terminal Clearance	28
Vent Terminal Minimum Clearances	28
Roof Pitch Table	28
Vent Pipe Sealant	29
Insulated Collar Shield (Included)	29
Vent Restrictor Adjustment	30
Wall Shield/	
Ceiling Firestop Thimble.....	31
Roof Termination Kit	31
Wall Termination Kit	31
Attic Insulation Shield.....	32
(Optional).....	32
Vent Pipe Dimensions	32
Vent Offset Chart	33
Firebox Panels Installation	34
TC36 & TC36 Arch Panel Sets	34
Transition Trim Kit Installation	36
TransitionTrim Kit Instructions for TC36 Arch	38
Linking Remote Handset to the Fireplace	39
Linking Remote Handset to the Module.....	40
(Basic Wall Switch only)	40
Maintenance	41
Glass Panel:	41
Annual Inspection:.....	41
Periodically:.....	41
TC36 Parts Diagram	42
TC36.DAR2 Parts Diagram	43
Parts Diagram – Valve Control System	44
Wiring Diagram	45
Rating Label	46

DANGER

HOT GLASS WILL CAUSE BURNS.

DO NOT TOUCH GLASS UNTIL COOLED.

NEVER ALLOW CHILDREN TO TOUCH GLASS.

A barrier designed to reduce the risk of burns from the hot viewing glass is provided with the appliance and shall be installed for the protection of children and other at-risk individuals.

Caution


FOR YOUR SAFETY - Do not install or operate your Town & Country fireplace without first reading and understanding this manual. Any installation or operational deviation from the following instructions voids the Town & Country Fireplaces™ Warranty and may prove hazardous.

This appliance and its individual shut off valve must be disconnected from gas supply piping system during any pressure testing of that system at test pressures in excess of 1/2 psig (3.5 kPa).

This appliance must be isolated from the gas supply piping system by closing its individual manual shut off valve during any pressure testing of the gas supply piping system at test pressures equal to or less than 1/2 psig (3.5 kPa).

Note: When lit for the first time, the appliance will emit a slight odour for a couple of hours. This is due to the curing of paints, sealants and lubricants used in the manufacturing process. This condition is temporary. Open doors and windows to ventilate area. Smoke and fumes caused by the curing process may cause discomfort to some individuals.

Do not use the fireplace if any part has been under water. Immediately call a qualified service technician to inspect the fireplace and to replace any part of the control system and any gas control which has been under water.



WARNING: This product can expose you to chemicals including ceramic fibers, which are known to the State of California to cause cancer, and carbon monoxide, which is known to the State of California to cause birth defects or other reproductive harm.

For more information go to www.P65Warnings.ca.gov.

This warning is applicable to all **Pacific Energy Fireplace Products**



We recommend that our gas hearth products be installed and serviced by professionals who are certified in the United States by the National Fireplace Institute® (NFI) as NFI Gas Specialists

Safety

Due to high temperatures, this gas appliance should be located out of traffic and away from furniture and draperies.

Children and adults should be alerted to the hazards of high surface temperatures and should stay away to avoid burns or clothing ignition.

Young children should be carefully supervised when they are in the same room as the appliance. Toddlers, young children, and others may be susceptible to accidental contact burns. A physical barrier is recommended if there are at-risk individuals in the house. To restrict access to a fireplace or stove, install an adjustable safety gate to keep toddlers, young children, and other at-risk individuals out of the room and away from hot surfaces.

Clothing or other flammable material should not be placed on or near the appliance.

Any grill, panel or door removed for servicing the unit must be replaced prior to operating. Failure to do so may create a hazardous condition.

Installation and repair should be done by a qualified service person. The appliance should be inspected before use and at least annually by a professional service person. More frequent cleaning may be required due to excessive lint from carpeting, bedding material, etc. It is imperative that control compartments, burners and circulating air passageways of the appliance be kept clean.

It is our policy that no responsibility is assumed by the Company or by any of its employees or representatives for any damages caused by an inoperable, inadequate, or unsafe condition which is the result, either directly or indirectly, of any improper operation or installation procedures.

This appliance must not be connected to a chimney flue serving a separate solid fuel burning appliance.

— Important Note for the Commonwealth of Massachusetts —

From Massachusetts Rules and Regulations 248 CMR 5.08:

- (a) For all side wall horizontally vented gas fuelled equipment installed in every dwelling, building or structure used in whole or in part for residential purposes, including those owned or operated by the Commonwealth and where the side wall exhaust vent termination is less than seven (7) feet above finished grade in the area of the venting, including but not limited to decks and porches, the following requirements shall be satisfied.
1. **INSTALLATION OF CARBON MONOXIDE DETECTORS.** At the time of installation of the side wall horizontal vented gas fuelled equipment, the installing plumber or gas fitter shall observe that a hard wired carbon monoxide detector with an alarm and battery back-up is installed on the floor level where the gas equipment is to be installed, in addition, the installing plumber or gas fitter shall observe that a battery operated or hard-wired carbon monoxide detector with an alarm is installed on each additional level of the dwelling, building or structure served by the side wall horizontal vented gas fuelled equipment. It shall be the responsibility of the property owner to secure the services of qualified licensed professionals for the installation of hard-wired carbon monoxide detectors.
 - a. In the event that the side wall horizontally vented gas fuelled equipment is installed in a crawl space or an attic, the hard-wired carbon monoxide detector with alarm and battery back-up may be installed on the next adjacent floor level.
 - b. In the event that the requirements of this subdivision cannot be met at the time of completion of installation, the owner shall have a period of thirty (30) days to comply with the above requirements; provided, however, that during said thirty (30) day period, a battery operated carbon monoxide detector with an alarm shall be installed.
 2. **APPROVED CARBON MONOXIDE DETECTORS.** Each carbon monoxide detector as required in accordance with the above provisions shall comply with NFPA 720 and be ANSI/UL 2034 listed as IAS certified.
 3. **SIGNAGE.** A metal or plastic identification plate shall be permanently mounted to the exterior of the building at a minimum height of eight (8) feet above grade directly in line with the exhaust vent terminal for the horizontally vented gas fuelled heating appliance or equipment. The sign shall read, in print size no less than one-half (1/2) inch in size, "GAS VENT DIRECTLY BELOW. KEEP CLEAR OF ALL OBSTRUCTIONS".
 4. **INSPECTION.** The state or local gas inspector of the side wall horizontally vented gas fuelled equipment shall not approve the installation unless, upon inspection, the inspector observes carbon monoxide detectors and signage installed in accordance with the provisions of 248 CMR 5.089(2)
 - (a) 1 through 4.
- (b) **EXEMPTIONS.** The following equipment is exempt from 248 CMR 5.089(2)(a) 1 through 4.
1. The equipment listed in Chapter 10 entitled "Equipment Not Required To Be Vented" in the most current edition of NFPA 54 as adopted by the Board; and
 2. Product Approved side wall horizontal vented gas fuelled equipment installed in a room or structure separate from the dwelling, building or structure used in whole or in part for residential purposes.
- (c) **MANUFACTURER REQUIREMENTS – GAS EQUIPMENT VENTING SYSTEM PROVIDED.** When the manufacturer of Product Approved side wall horizontally vented gas equipment provides a venting system design or venting system components with the equipment, the instructions provided by the manufacturer for installation of the equipment and the venting system shall include:
1. Detailed instructions for the installation of the venting system design or the venting system components; and
 2. A complete parts list for the venting system design or venting system.
- (d) **MANUFACTURER REQUIREMENTS – GAS EQUIPMENT VENTING SYSTEM NOT PROVIDED.** When the manufacturer of a Product Approved side wall horizontally vented gas fuelled equipment does not provide the parts for venting the fuel gases, but identifies "special venting systems", the following requirements shall be satisfied by the manufacturer.
1. The referenced "special venting system" instructions shall be included with the appliance or equipment installation instructions; and
 2. The "special venting systems" shall be Product Approved by the Board, and the instructions for that system shall include a parts list and detailed installation instructions.
- (e) A copy of all installation instructions for all Product Approved side wall horizontally vented gas fuelled equipment, all venting instructions, all parts lists for venting instructions, and/or all venting design instructions shall remain with the appliance or equipment at the completion of the installation.

Fireplace Dimensions

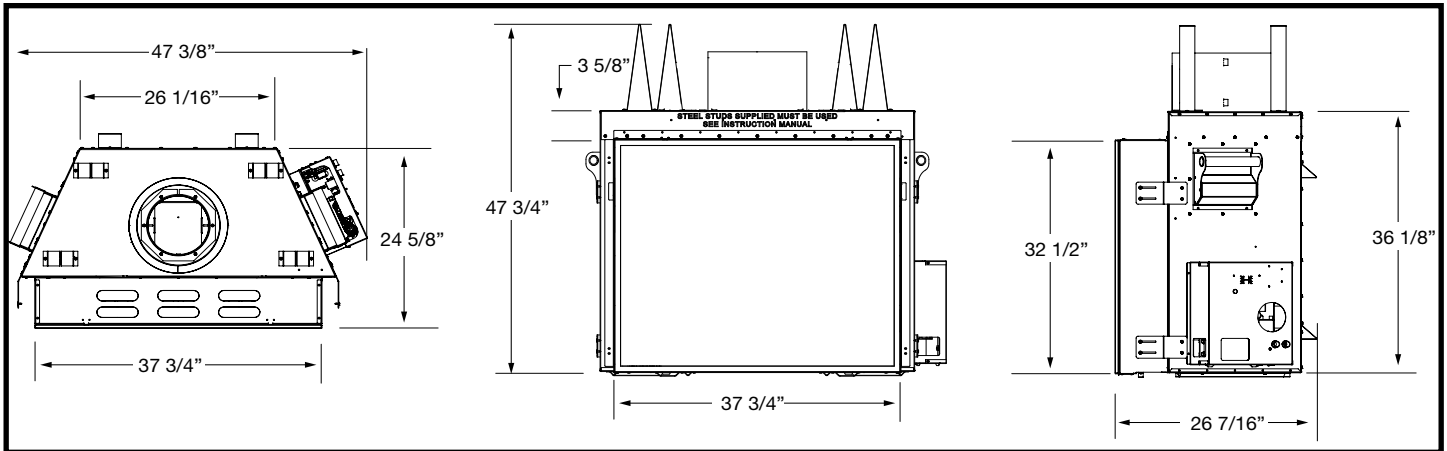


Figure 1: TC36D2 Dimensions.

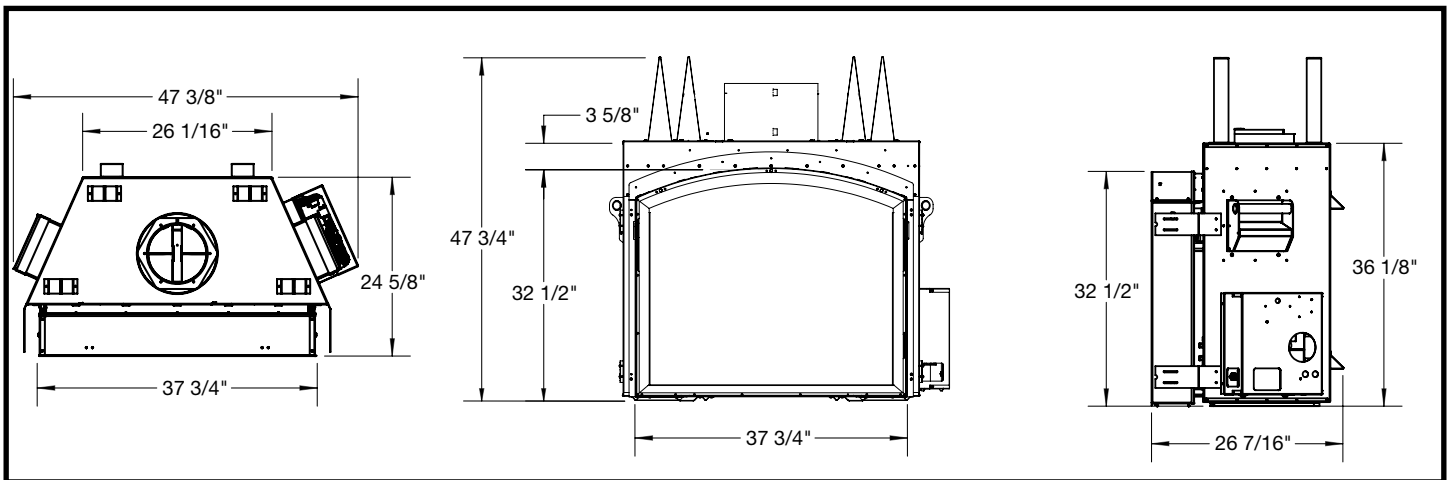


Figure 2: TC 36D2 Arch Fireplace dimensions.

Minimum Clearances to Combustible Material

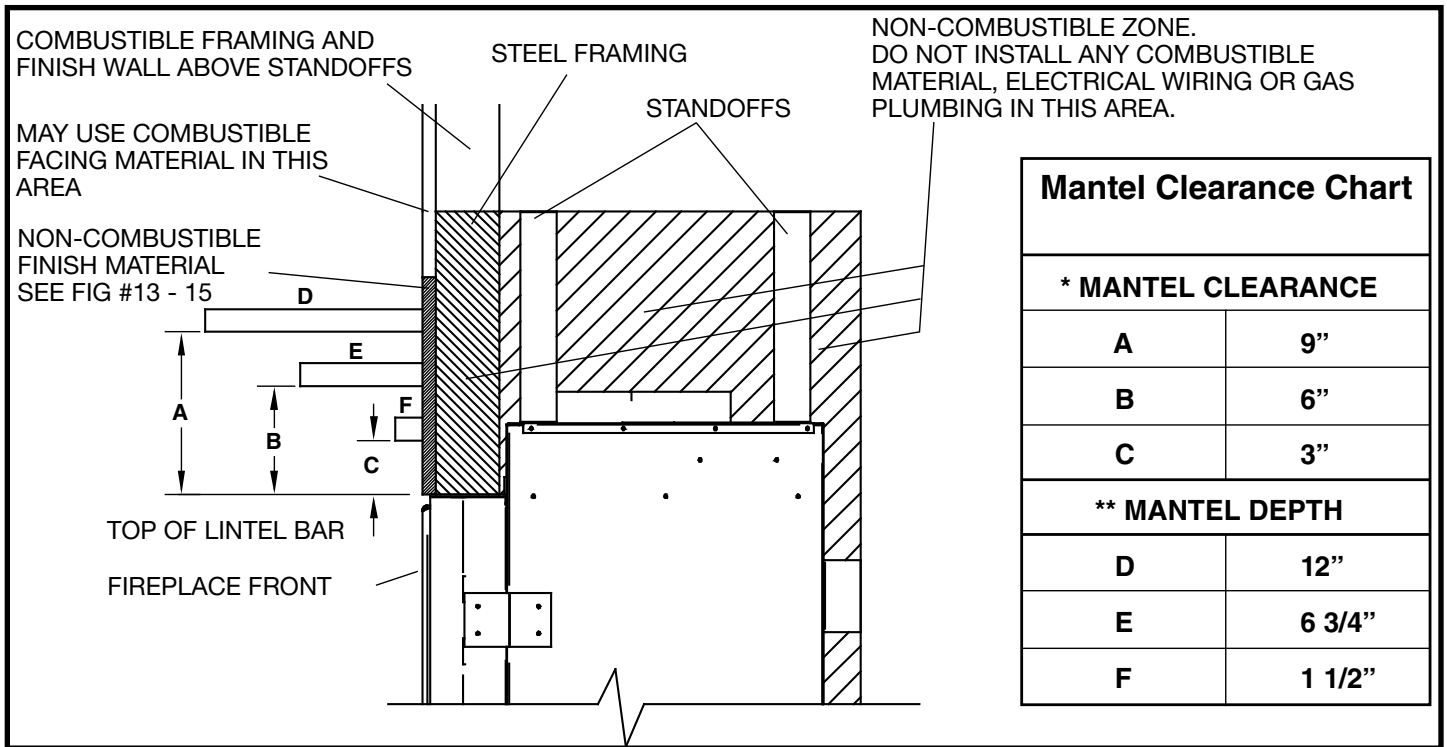


Figure 3: TC36D2 Mantel clearances.

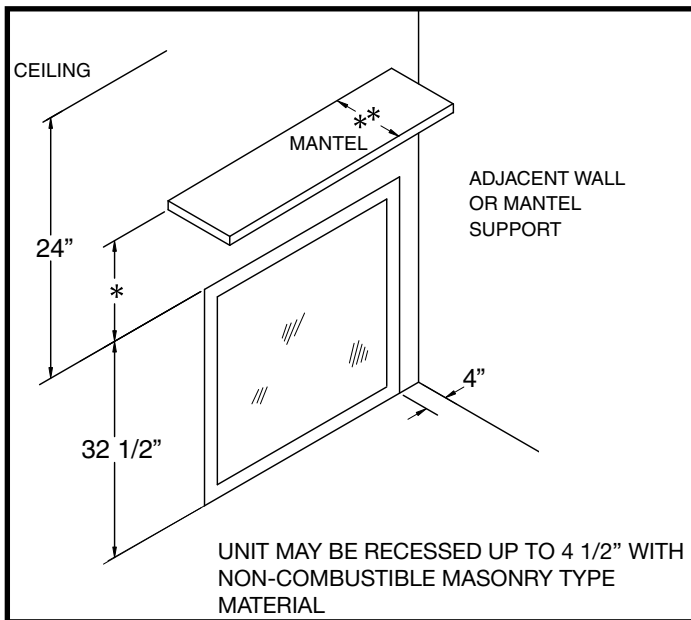


Figure 4: TC36D2 Mantel.

Minimum Clearances:

Side standoffs	0 in.	(0 mm)
Back standoffs	0 in.	(0 mm)
Top standoffs	0 in.	(0 mm)
Bottom of appliance	0 in.	(0 mm)
Adjacent side wall	4 in.	(102 mm)
Ceiling to appliance	24 in.	(610 mm)
*Mantel to appliance	(Figure 3)	
**Maximum Mantel extension	(Figure 4)	
Mantel support	4 in.	(102 mm)
Vertical vent pipe	1 3/4 in.	(45 mm)
Horizontal Vent pipe (Top, sides and bottom)	1 3/4 in.	(45 mm)

Installation Requirements

The Town & Country Fireplace installation and venting must conform to the current CAN/CGA-B149 installation code (in Canada) or the current National Fuel Gas Code, ANSI Z223.1 (in the USA), and approved per local codes. Only qualified (licensed or trained) personnel should install this product.

In the state of Massachusetts, only a licensed Plumber and Gas Fitter may install this product.

Manufactured (Mobile) Home

In some jurisdictions, the Town & Country Fireplace may be installed in Manufactured Homes after the "first sale". Consult local codes for approval. The fireplace must be fastened in place.

Install in accordance with the current standard Mobile Homes, CAN/CSA Z240 MH (in CANADA), and the Manufacturer's Home Construction and Safety Standard, Title 24 CFR, Part 3280 or the current Standard for Fire Safety Criteria for Manufactured Home Installations, Sites and Communities ANSI/NFPA 501A (in the USA).

Door Frame Removal

Warning: Turn off the fireplace, and allow ample time for the unit to cool before proceeding.

Caution: The ceramic glass is very fragile, and should be handled with care.

The glass door frame is held in place by two spring-loaded latches that are operated by a one-piece latch handle.

1. Remove safety barrier screen (Figure 5) by prying the top portion of the screen toward you, then lift the screen from its tabs (inset) located at the base of the door frame.
2. Remove the TC Finishing Touch Trim Kit from the glass door frame. (If installed)
3. Using a screwdriver (Figure 6) or other similar object, push against the notch in the top of the latch and grab the bottom of the latch handle as it protrudes (Figure 7). Lift handle until latch hook disengages. Repeat for other side while supporting glass door so that it does not tip out.
4. Tilt the top of the glass door frame out to clear the top edge of the unit. Grasp the sides of the frame and lift up and out to disengage from its bottom track.
5. Place the glass door frame in a safe place to avoid damage.
6. Reassemble in reverse order. Latch handle should snap into place and be flush with glass door frame when engaged correctly.
7. Reinstall trim kit if required.
8. Reinstall safety barrier screen.

TIP:

To ensure glass door is properly latched, grasp the top left and right sides of the glass frame. Under moderate pressure it should pull forward and return to original position evenly on both sides.

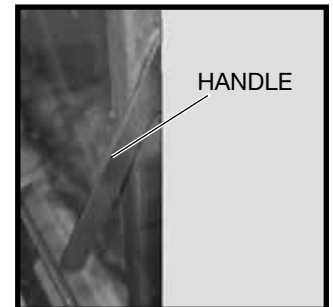
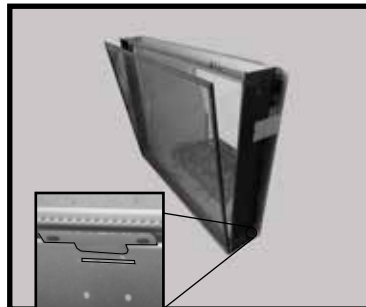


Figure 5: Safety barrier screen. Figure 6: Accessing handle. Figure 7: Handle.

Top Standoffs

The top standoffs are shipped loose inside the fireplace and must be installed on top of the fireplace (Figure 8). Do this once the fireplace is in position.

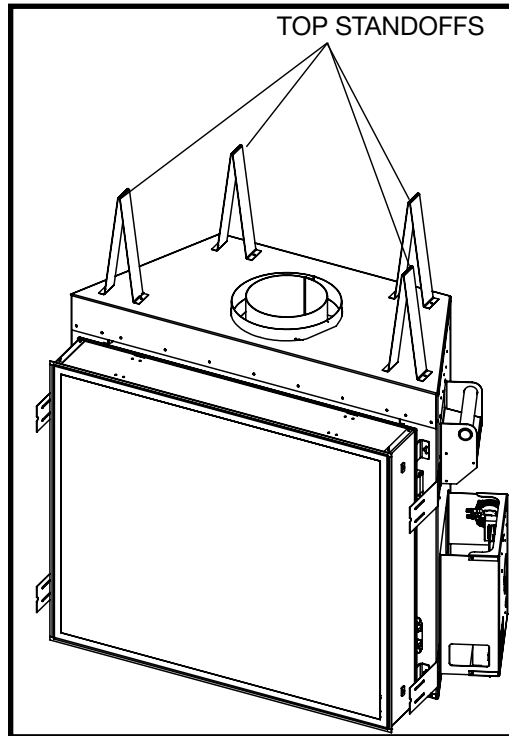


Figure 8: TC 36D Standoffs.

Locating The Fireplace

In planning the installation for the fireplace, it is necessary to determine where the unit is to be installed, location of vent system and where gas supply piping may be plumbed. Various installations are possible, such as, into an existing wall, a corner, a built-in wall or a wall projection (Figure 9). Due to high temperatures, do not locate this fireplace in areas of high traffic or near furniture or draperies.

The minimum clearances from the fireplace to combustible surfaces must be adhered to and are shown in Figure 3 & Figure 4.

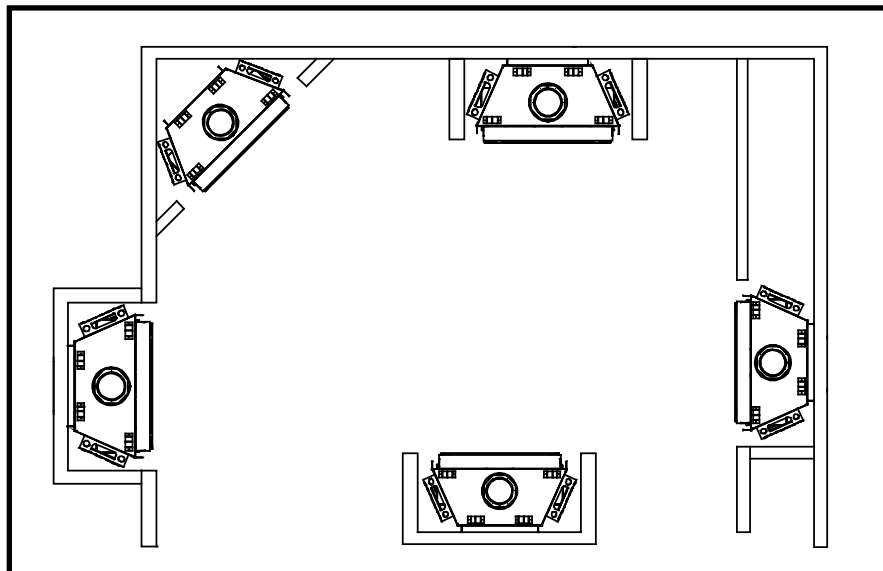


Figure 9: TC36 Possible locations.

Framing and Finishing

Note: The fireplace should be in place and venting installed before framing in or building an enclosure around the unit.

The Town & Country fireplace must be framed in as described below or totally enclosed with non-combustible material, such as facing brick.

Determine the total thickness of facing material to be used. A thickness of 3/4" will allow the finishing surface to be flush with the front of the unit. If preferred, additional masonry type non-combustible material can be installed above and to the sides outward up to 4 1/2 inches of the appliance. The finishing material must not interfere with glass door frame access.

A Steel Stud Framing Kit is supplied with the fireplace and must be used unless the fireplace is totally enclosed with non-combustible material. Assemble the framing kit as per the instructions on pages 12 & 13 of this manual. Attach

the steel frame to the fireplace once the fireplace is in its final position. Secure the steel frame to the framing brackets on each side of the unit. Ensure that the studs are set back far enough to allow for thickness of finishing surface.

The sides, back and top of the fireplace can be framed in up to the steel studs and the fireplace standoffs using conventional lumber. Consult local building codes for specific requirements.

Due to high temperatures, non-combustible backing board, such as cement board or its equivalent, must be used to sheet in the front of the fireplace, extending 12" above and 5 9/16" to the side of the framing edge bars (Figure 13). Standard sheet rock (dry wall) may be used beyond this point.

If the backing board is not to be finished with other non-combustible material such as tiles, it is recommended that top sections of the board be a single sheet of

calcium silicate board or its equivalent. Taped and mudded joints may crack due to the elevated temperatures.

Chase Insulation: When installing this fireplace against a non-insulated exterior wall or chase, it is recommended that the outer walls be insulated to same degree as other exterior walls. Do not place fireplace directly against the insulation. Cover the insulation and plastic vapour barrier with a solid surface, such as dry wall (sheet rock). Consult local codes. Do not insulate or use plastic vapour barrier within the framing kit.

CAUTION: See Figure 16 BEFORE PROCEEDING.

NOTE:

The chase must be properly sealed at the ceiling level or between floors in a multilevel installation.

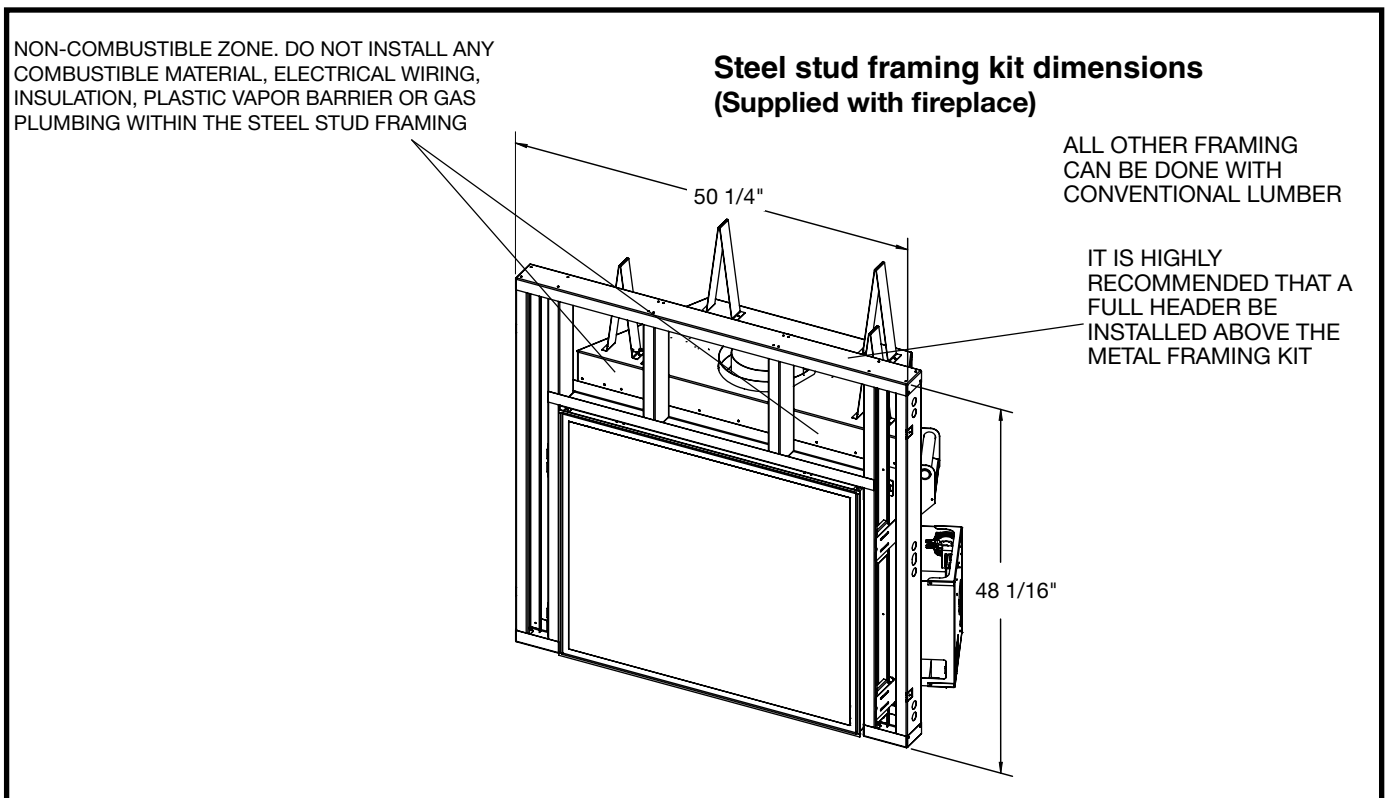


Figure 10: TC 36D with regular frame.

TC36D2 Minimum Combustible Framing Dimensions

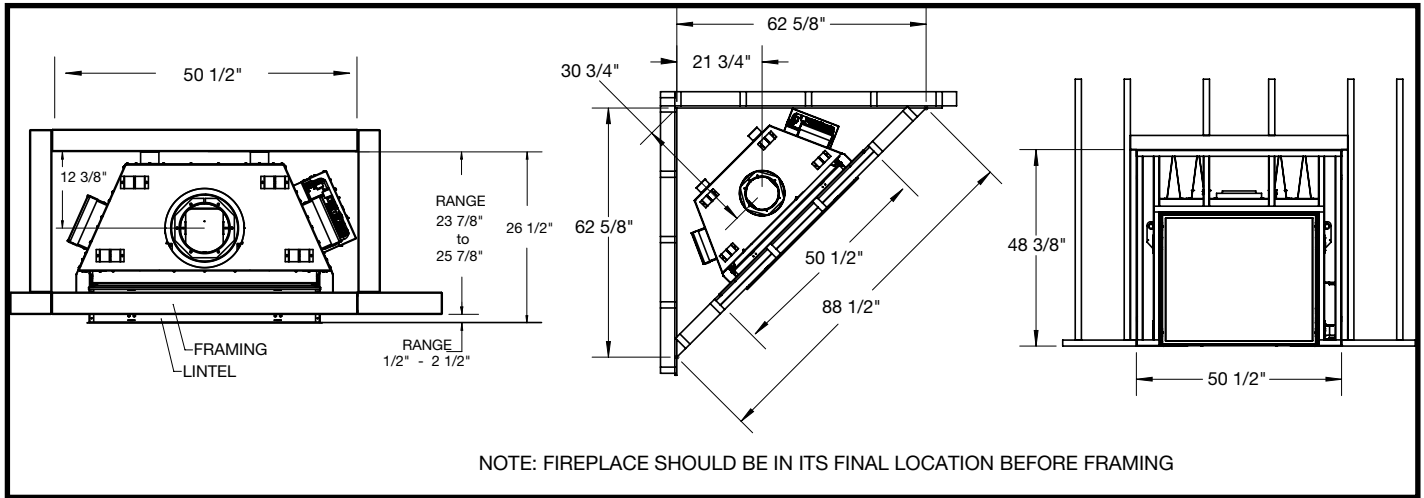


Figure 11: TC 36D Minimum combustible framing dimensions.

TC36D2 Arch Minimum Combustible Framing Dimensions

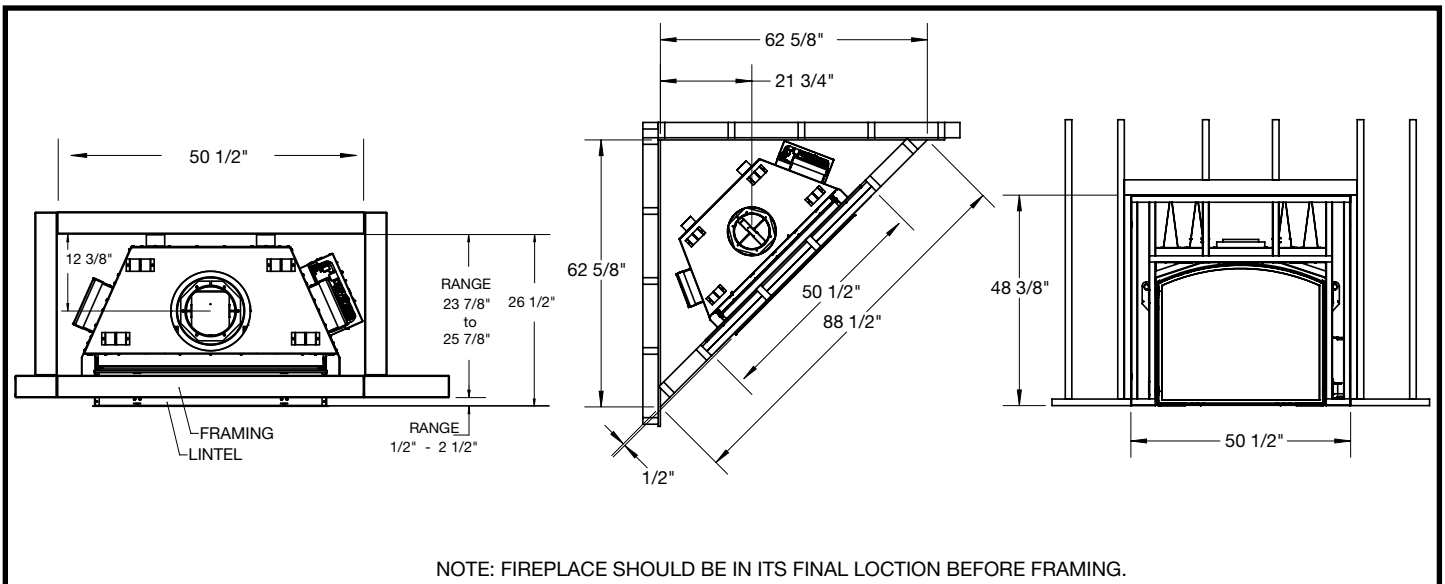


Figure 12: TC 36D Arch Minimum combustible framing dimensions.

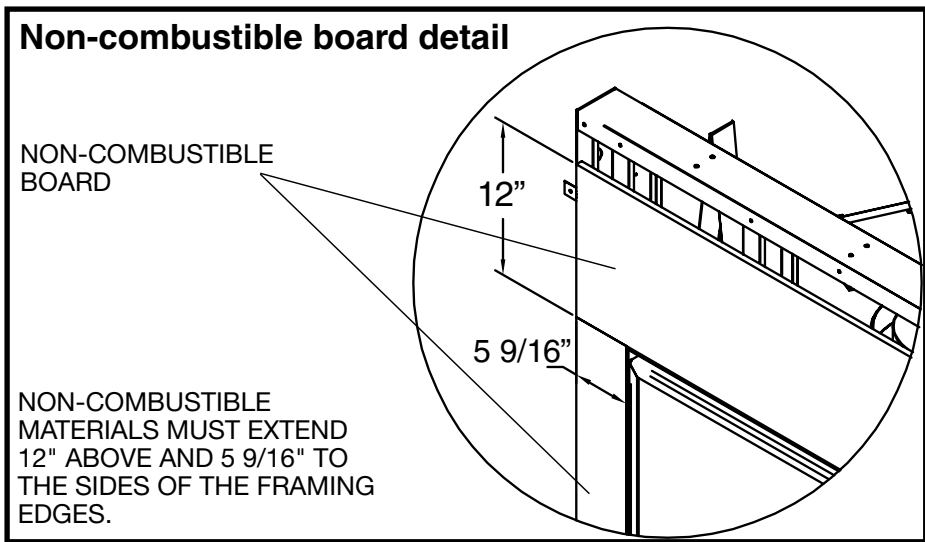


Figure 13: TC 36D Non combustible board dimensions.

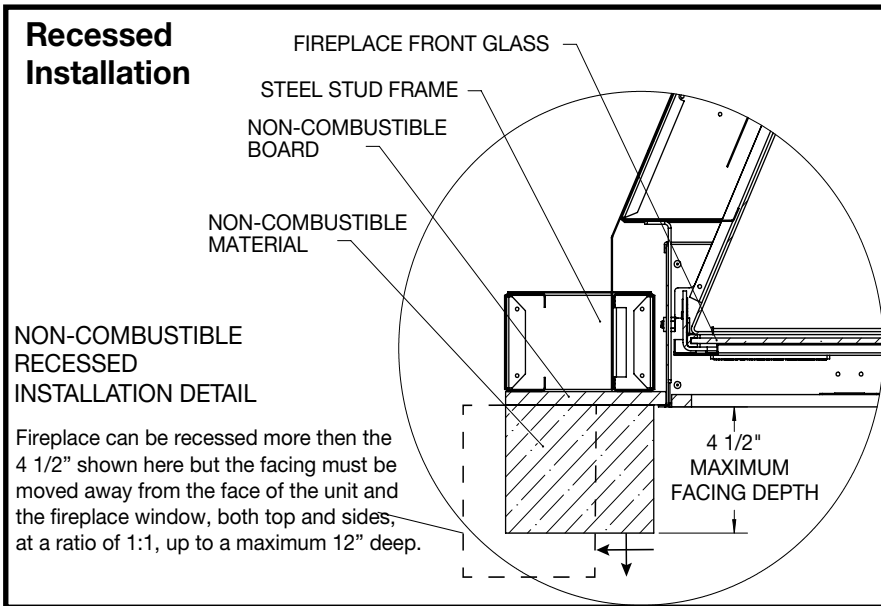


Figure 14: Recessed installation detail.

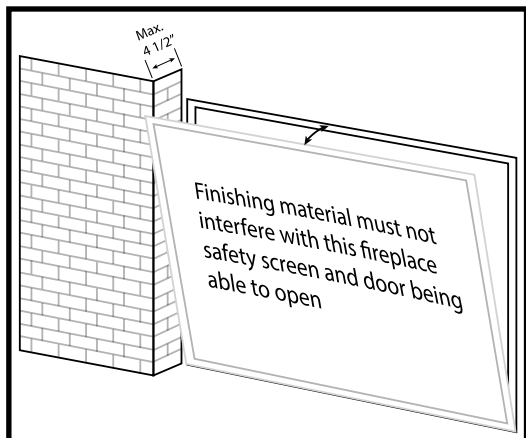


Figure 15: Recessed detail.

It is important to note that any finishing material used must not interfere with the glass door being able to open in the event of ignition of excess gas buildup.

If finishing the wall above the unit with paint, the framing kit shipped with the unit should be discarded. Use full sheets of calcium silicate board or equivalent and full length metal studs to finish and frame around the unit.

Calcium silicate board is a high grade material with cement, quartz and natural minerals as the main raw materials. (Note: Calcium Silicate is 1/2" thick)

CAUTION: Calcium Silicate board can be damaged if dropped or struck. Handle with care. Inspect board prior to installation and do not use if cracked.

NOTE: It is recommended to pre-drill mounting holes in the board prior to securing to the framing. This will prevent the board from cracking.

CALCIUM SILICATE BOARD

FULL SHEET OF A NON-COMBUSTIBLE MATERIAL (NOT INCLUDED IN KIT)

Figure 16: Non combustible calcium silicate board.



TC36D2 Steel Stud Framing Kits (regular and arched)

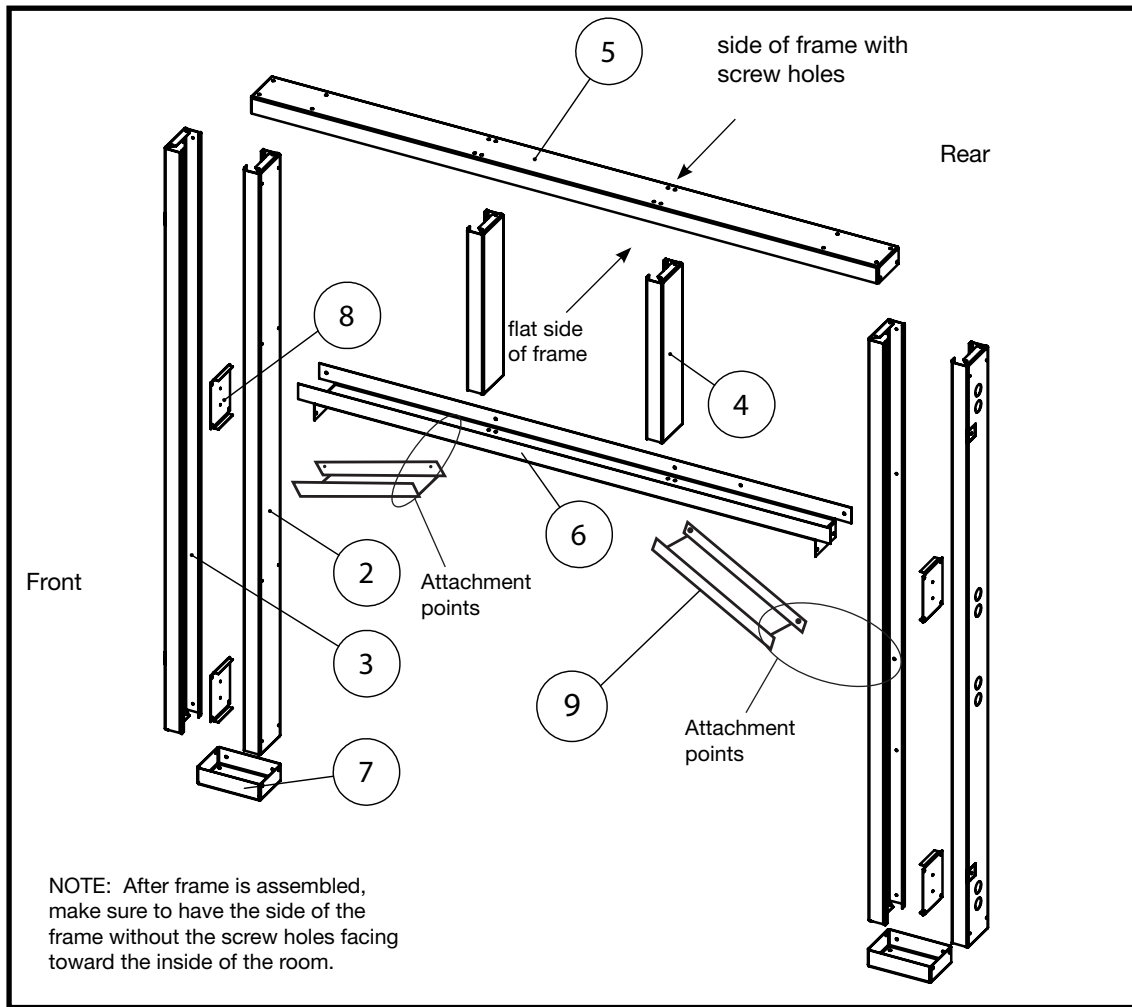


Figure 17: TC 36D Framing with arch components.

REGULAR STUD FRAMING KIT PARTS TC36.B2FRKITA

ITEM NO.	DESCRIPTION	QTY.
1 (not shown)	SCREWS.TEK	66
2	STUD SIDE. INNER 48" L	2
3	STUD VERT. OUTER 48" L	2
4	STUD VERT. CENTER 15 7/16" L	2
5	STUD HEADER, HORIZ. 49 7/8"	1
6	STUD PLATE, HORIZ. 41 1/4 "L	1
7	BASE PLATE 5 15/16" L	2
8	FRAMING PLATE	4

ARCHED STUD FRAMING KIT PARTS TC36.BRFRKITA

ITEM NO.	DESCRIPTION	QTY.
1 (not shown)	SCREWS. TEK	66
2	STUD SIDE. INNER 48" L	2
3	STUD VERT. OUTER 48" L	2
4	STUD VERT. CENTER	2
5	STUD HEADER, HORIZ. 49 7/8"	1
6	STUD PLATE, HORIZ. 41 1/4 "L	1
7	BASE PLATE 5 15/16" L	2
8	FRAMING PLATE	4
9	ARCH SUPPORT	2

1. Top Frame Assembly

Lay out the inner (2) and outer (3) vertical side studs, and vertical center studs (4) on a large flat surface.

Using the screws provided, attach the upper header stud (5) and the stud plate (6) to the vertical center studs (4) (Figure 18 or Figure 19).

2. Attach Side Studs (Legs)

Attach the inner (2) and outer side studs (3) to the top of the upper header stud (5). (Figure 18 or Figure 19).

Fasten the inner and outer vertical side studs (2 & 3) at the bottom using the base plates (7) (Figure 18 or Figure 19).

3. Archway Studs. (if using)

If including the archway, attach the diagonal studs (9) (Figure 19) to the lower horizontal studs and the inner vertical studs.

Turn the assembled frame over to access the remaining fastening points.

4. Attach the Assembled Frame to the unit.

Align the assembled frame to the unit framing brackets. (Figure 20 or Figure 21). Attach at the fastening points through the access holes in the outer side studs. NOTE: Be sure that the side of the frame with the screw holes is facing the fireplace.

5. Secure to Existing Framing Secure the frame assembly to existing framing through the upper horizontal stud and the stud plates.

6. Install Non-combustible Board Use drywall screws to install the non-combustible board (Figure 22) or (Figure 23).

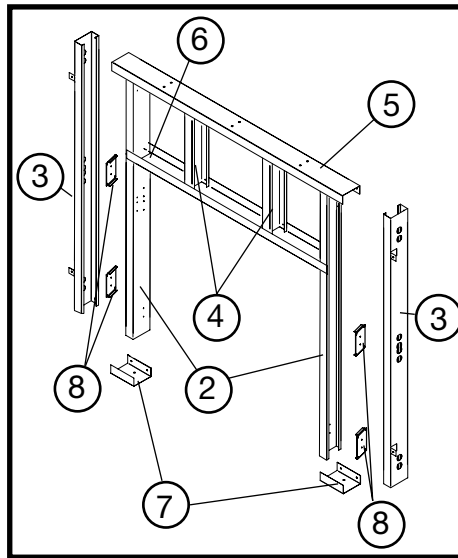


Figure 18: TC 36D regular frame.

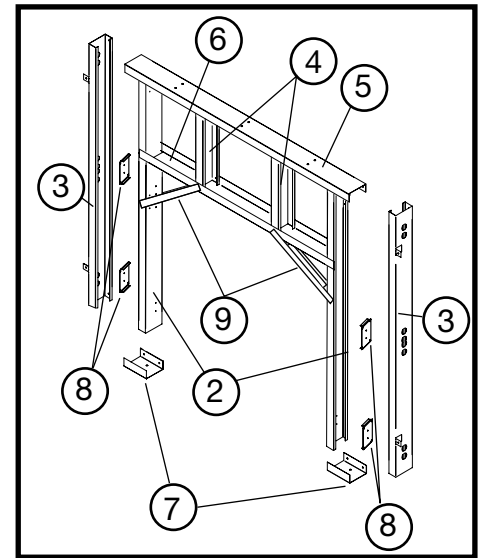


Figure 19: TC 36D arched frame.

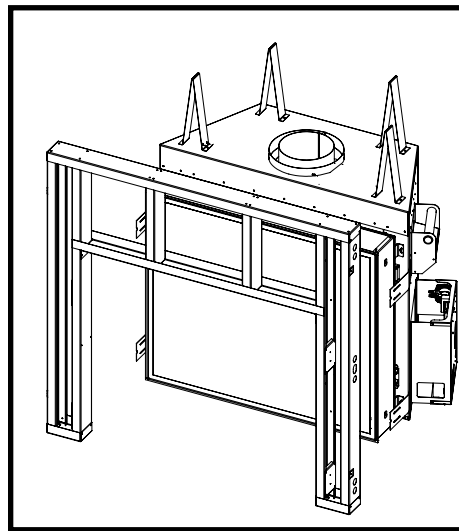


Figure 20: TC 36D regular frame assembled.

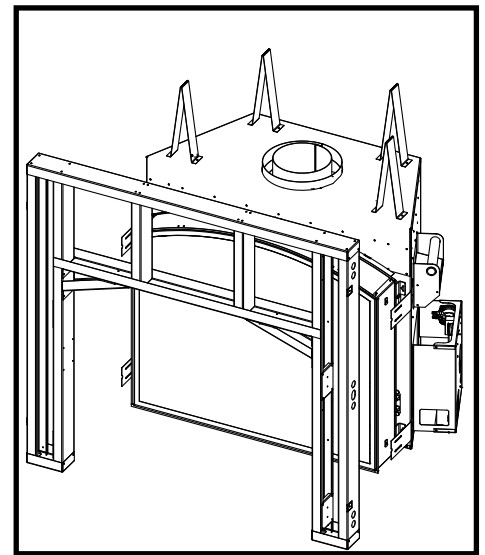


Figure 21: TC 36D arched frame assembled.

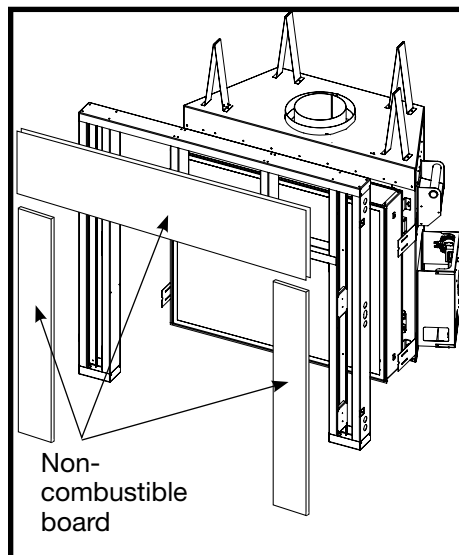


Figure 22: TC 36D regular frame with non-combustible board.

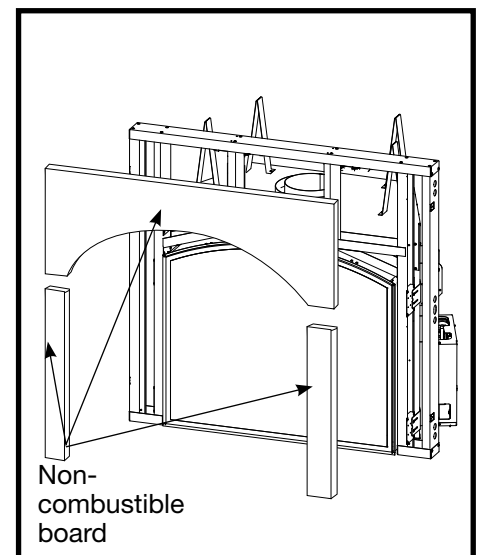


Figure 23: TC 36D arched frame with non-combustible board.

Fixed Lintel

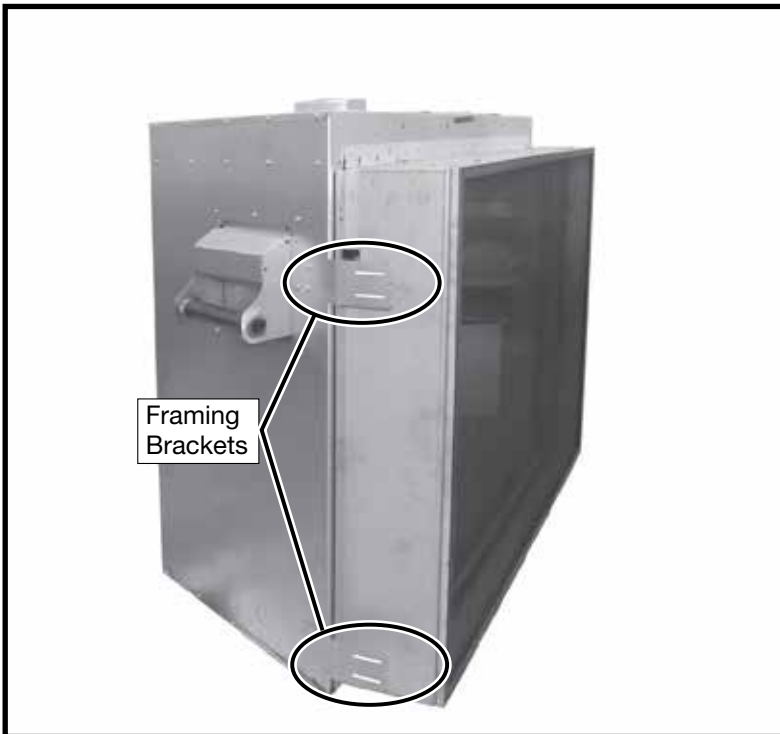


Figure 24: TC36D2 Fixed lintel.

Framing Kit Adjustment

The lintel on the TC36D2 is in a fixed position on the fireplace and there is no adjustment to move the lintel toward you or away from you once the fireplace has been located in its final position. Instead, the fireplace itself must be manoeuvred so that the front face of the lintel determines the final position of the fireplace.

The Framing Kit allows for a 1 7/8 inch adjustment along the Framing Brackets. Use this range to help determine the front of the facing material.

The thickness of the facing material, whether 1/2 inch calcium silicate board or a rock facing must be taken into consideration before settling on a final position of the fireplace. See "Fireplace Facing Allowance" on page 15.

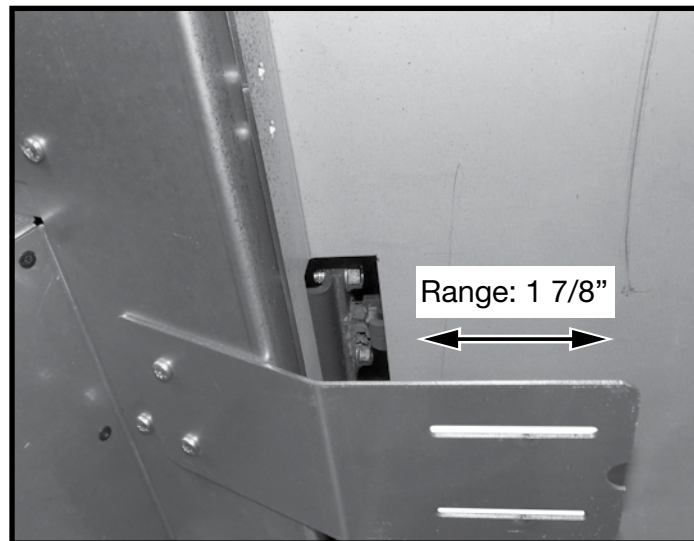


Figure 25: Framing bracket.

Fireplace Facing Allowance

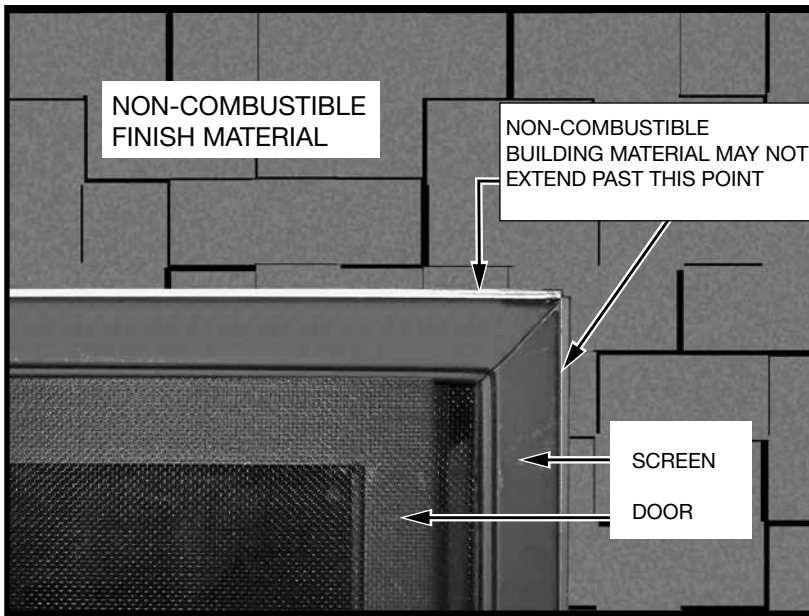


Figure 26: Facing edge location.

This fireplace is designed to finish either flush with the facing material or can be installed with a 4 1/2 inch recess. See “Figure 14: Recessed installation detail.” on page 11.

The fireplace can accommodate facing material up to a thickness of 1 7/8 of an inch if installing flush.

Care should be taken to correctly determine the facing material thickness so that the fireplace is positioned so that the front of the fireplace is flush with the facing material.

Facing material must not interfere with the ability for the door or the screen to open.

Hearth Extension

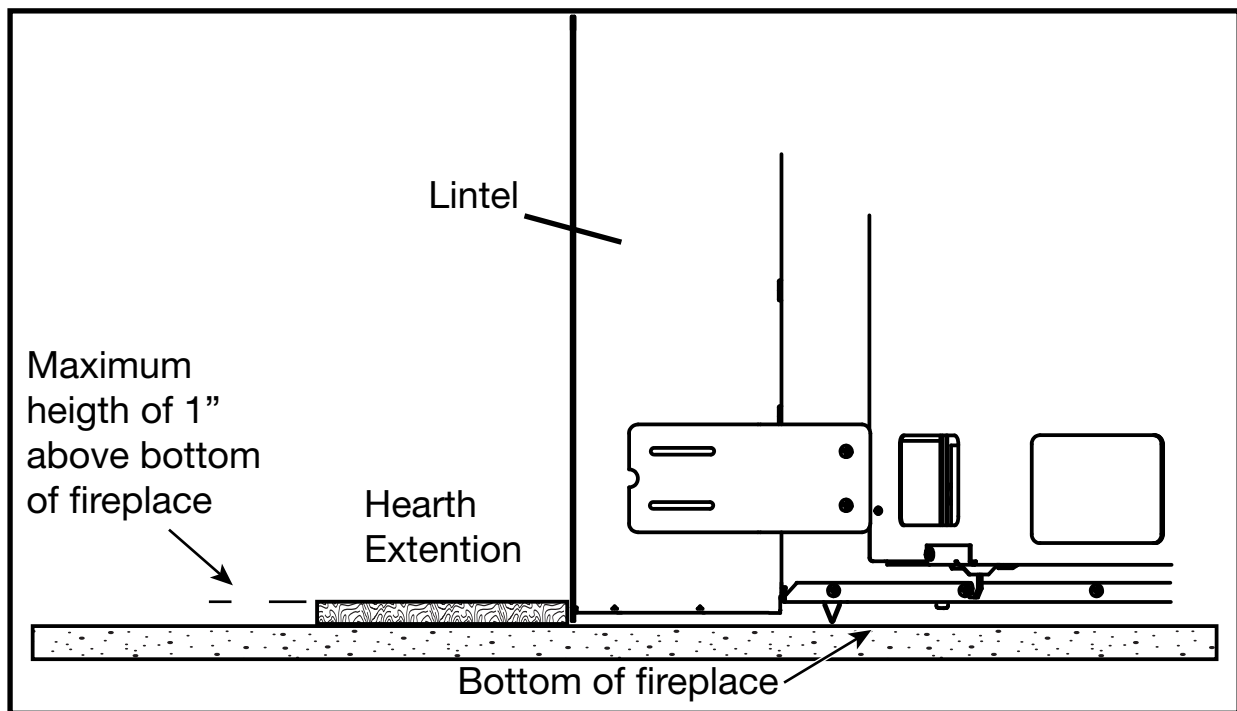


Figure 27: TC36D2 Hearth extension.

Caution: While a hearth extension is not required and combustible flooring materials may be brought directly up to the fireplace, many materials (such as wood flooring) may not tolerate the radiant heat from this fireplace, resulting in discoloration, shrinking and cracking. For this reason, we suggest a non-combustible hearth that is no more than 1” above the bottom of the fireplace. If thicker, fireplace must be raised accordingly.

Caution: Hearth extensions thicker than 1” will interfere with the safety screen and door frame when opening.

Electrical

The gas control system is located on the right hand side of the firebox behind an access panel and the decorative firebox panel (if installed). The fireplace is operated via a wall switch and a hand held remote control unit.

The wall switch is connected to the fireplace by a 40 ft. communication cable supplied with the fireplace.

Installation

1. Place the fireplace in the desired location.
2. Remove the glass door frame from the fireplace.
3. Remove access panel from right hand side of the firebox (Figure 28).
4. Connect 110 V. AC electrical supply to the wires installed inside the junction box (Figure 29). The fireplace is rated at 110 volts, 60Hz, 0.25A. The optional power vent kit is rated at 115 volts, 60Hz, 1.8A.

The electrical wires can be accessed from both inside and outside the junction box by removing one of the two small access panels (Figure 29) or (Figure 30).

5. Attach the wall switch to the framing in the desired location (40 ft is supplied with fireplace).
6. Route the wall switch control cable (supplied) as required to the wall switch (Figure 33).
7. Attach one end of the wall switch control cable to the wall control. (Figure 33), and the other end to the interface board (Figure 30).
8. Insert the 4 supplied "AA" batteries into the battery pack of the wall switch (Figure 32).
9. If not already installed, install the burner using the instructions supplied with the burner kit.
10. Turn on the gas supply and check that all connections are tight and leak free.
11. Turn on gas and electrical supplies.

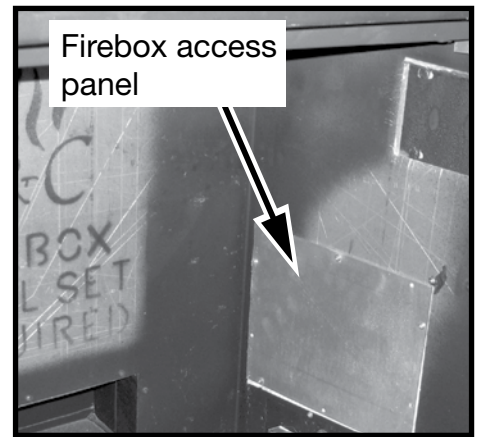


Figure 28: Access to firebox.

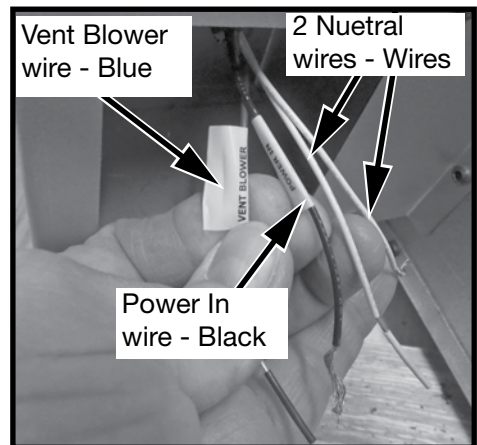


Figure 29: Junction box wiring.

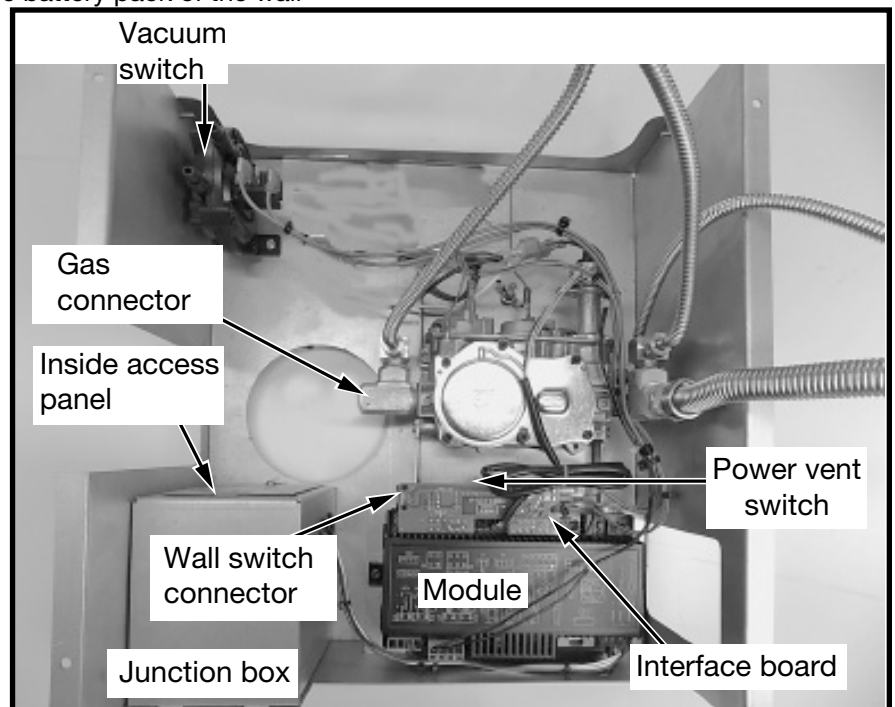


Figure 30: Valve assembly components.

Wall Switch and Remote Control



Figure 31: Town & Country wall switch.

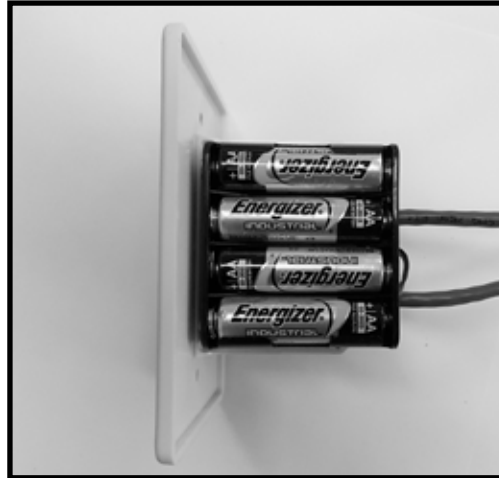


Figure 32: Wall switch battery side.

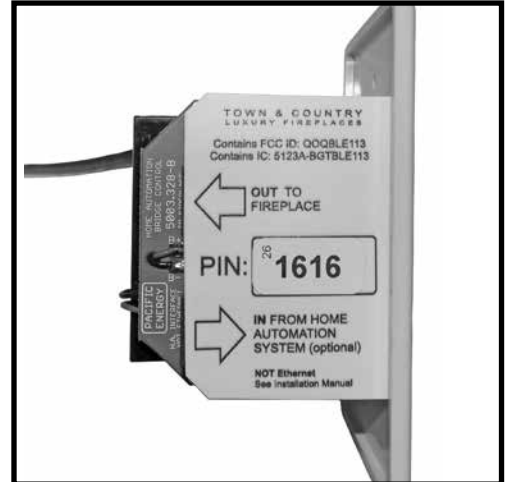


Figure 33: Bluetooth Wall switch - interface side.



Figure 34: Basic wall switch - interface side.

Instructions for linking the wall switch to the remote control handset can be found on page 38(Bluetooth Wall switch) and page 39(Basic Wall Switch).

If the wall switch is being connected to a Home Automation system, two cables will be used; the top cable will go from the wall switch to the fireplace and the bottom cable will go from, the wall switch to the Home Automation system (Figure 32) .

If not using a Home Automation system, only the upper cable will be used to go from the wall switch to the fireplace (Figure 33).

Wall Switch to IFC Communication Cable Continuity Check

It is important that the continuity of the individual wires encased within the communication cable be checked before the cable is plugged into both the wall switch and the IFC Module. This will ensure that the cable is in good condition before the cable is walled in or otherwise covered up. Provided that no staples, screws or nails accidentally impale the cable during the walling up process, or any cables have otherwise been cut, the cable itself will be able to be ruled out as a possible cause should trouble shooting the wall switch be required.

Selecting Natural Vent and Power Vent Modes

The PV / NV (Power Vent / Natural Vent) switch (Figure 35) on the interface board (Figure 30) is set according to which type of evacuating vent system is present. If the fireplace is vented without the assistance of a power vent, the switch should be set to “NV”. If using a power vent, “PV” should be selected. Follow the instructions provided with the power vent kit for proper installation.

Important Note:

When switching between PV and NV, both the electrical power supply to the fireplace must be turned off and the backup batteries removed to properly re-set the module.

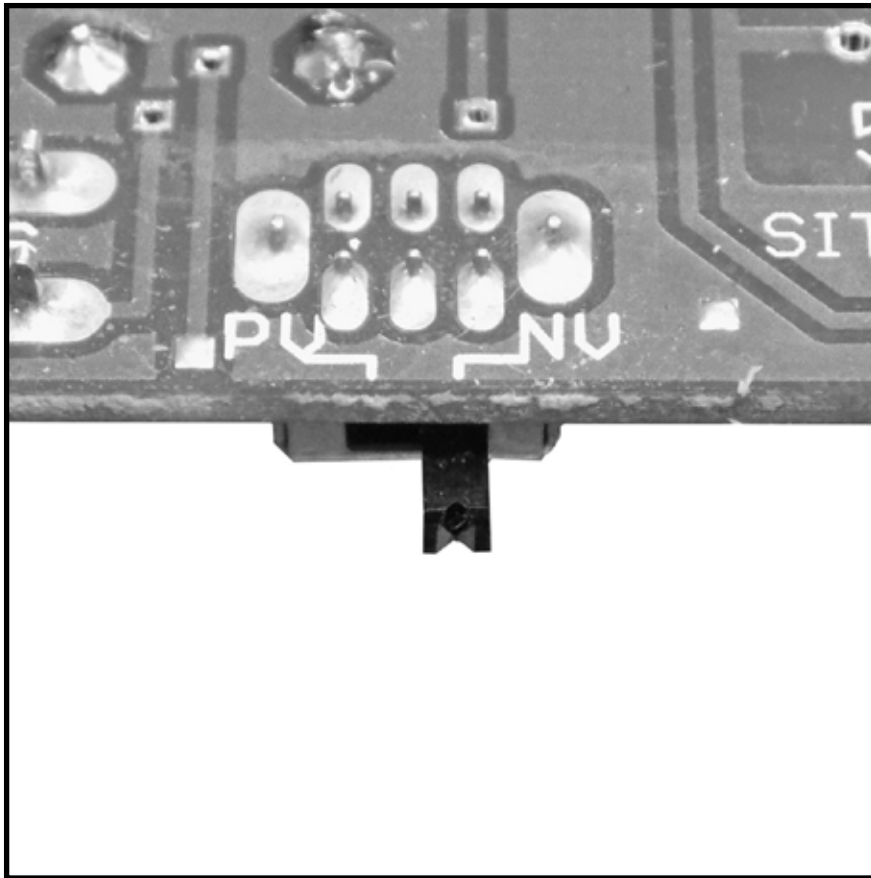


Figure 35: Vent mode selection switch.

Bluetooth Wall Switch Home Automation

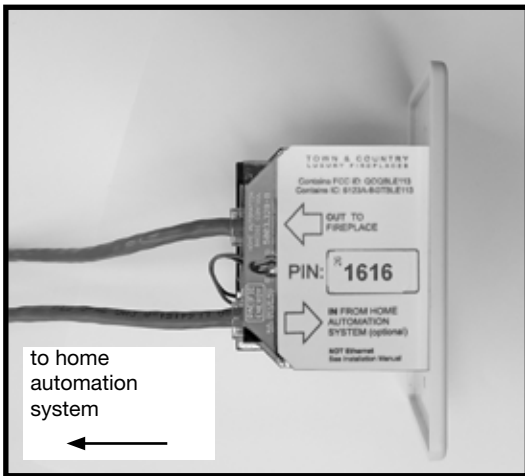


Figure 36: Complete communication wiring.

The home automation feature supplied with this fireplace is capable of controlling the flame and light on/off function with the use of a dry contact relay common to home automation systems. Furthermore, the flame and light level may be modulated from high to low using the 0 - 10 volt analog output available on most home automation systems.

(Figure 37) shows the wire designations required to connect the fireplace to a home automation system (wire not supplied).

NOTE:

When a signal has been supplied by the home automation system, the fireplace control will repeat the signal every 2 hours or until a new command has been received.

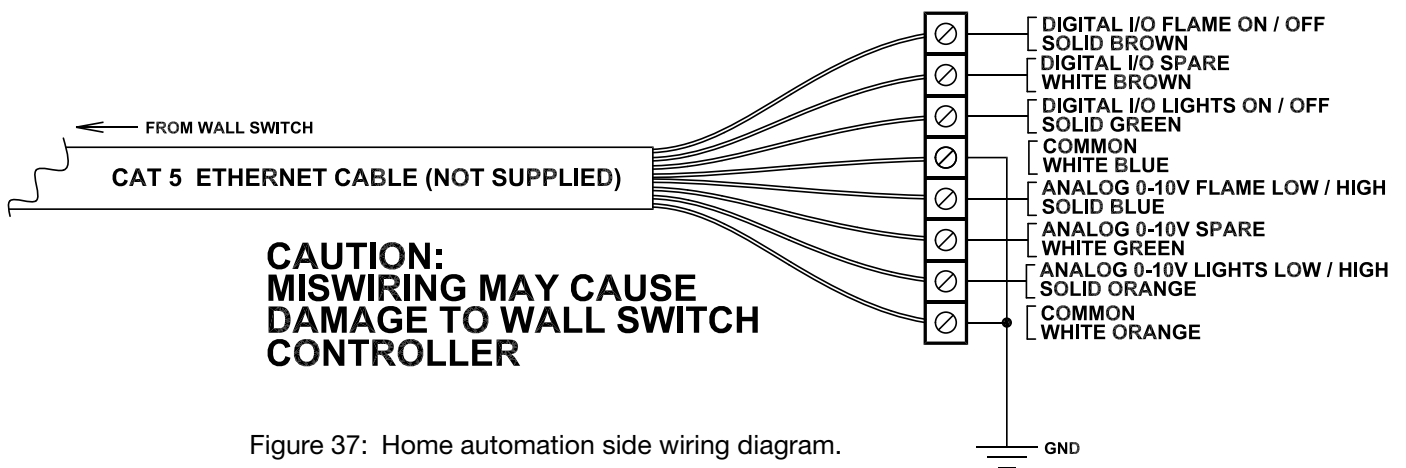


Figure 37: Home automation side wiring diagram.

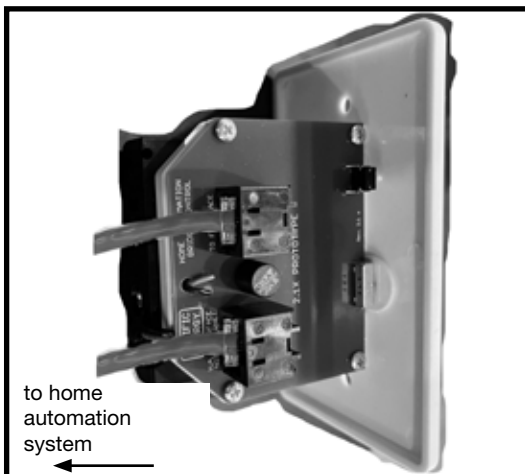
NOTE:

- Digital I/O must be connected to a dry contact relay.
- Analog flame and light input through 0 - 10 volt DC signal scaled as follows:

Low = 1 volt

High = 10 volts

Basic Wall Switch Home Automation



Basic Wall Switch Home Automation is limited to flame on and off using a dry contact relay with the solid brown wire and common. Figure 37.

Gas Supply

Caution: The gas line should be installed by a qualified service person in accordance with all building codes. This section is intended as a guide for qualified technicians installing this appliance. Consult local and / or national building codes before proceeding.

- Gas supply line access holes are located at the top and left sides of the Control Box. Gas valve inlet accepts a 3/8" N.P.T. fitting. Correct gas line diameter must be used to assure proper operation and pressure.
- **NOTE: A sediment trap, as per national fuel gas code, must be installed in the gas supply line no more than 6 feet from the gas control valve to minimize the possibility of any loose scale or dirt within the gas supply line from entering the control valve.**

DO NOT HARD PIPE GAS LINE TO VALVE. A method of disconnecting the valve from the gas line such as a union or flare fitting must be provided to allow for repair or replacement of the gas valve.

Check local codes for additional requirements.

1. Connect the gas supply to the valve.
2. Turn on the gas supply and check that all connections are tight and leak free.

Warning:

The access panel - including gasket, must be reinstalled after conversion / installation or servicing has been completed. Failure to do so will cause overheating and premature failure of the control system.

Gas Pressure Check

Note: To test the gas pressure, turn off the gas supply before removing the plug from the supply pressure test port or manifold pressure test port.

Verify gas pressures with the fireplace lit and on the highest setting.

Please refer to the Burner Installation Manual for gas pressure testing procedure.

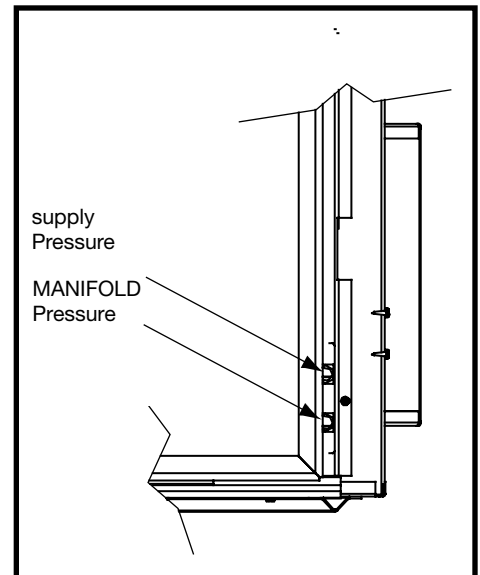


Figure 38: Test ports.

Correct gas pressure requirement:

	Natural Gas	Propane
Min. Pressure <small>(For purpose of input adjustment)</small>	5.0" WC	12.5" WC
Max. Pressure	13.9" WC	13.9" WC
Manifold Pressure		
Maximum	3.5" WC	10" WC
Minimum	1.6" WC	6.4" WC

Venting

Before installing venting for this unit, the installer should read these instructions to insure that the proper vent configuration has been selected.

Use only Town and Country Termination kits #:

22270012 - Wall Termination Kit

22270010 - Roof Termination Kit

Vent system components approved for use with the Town and Country Fireplace are shown on page 22.

NOTE: Optional Power Vents (22270003, 22270004 & 22270013 require different venting. Please refer to Power Vent manuals.

Various combinations of vertical and horizontal runs may be used - See Figure 42 & Figure 43. For optimum performance and flame appearance, keep the vent length to a minimum and limit the number of elbows. Connections between each vent system component must be tightly joined, secured with sheet metal screws and sealed with provided high temperature self adhesive tape. A horizontal run of vent should have a ¼" rise for every 1 ft. of run towards the termination.

CAUTION: UNDER NO CONDITION SHOULD COMBUSTIBLE MATERIAL BE CLOSER THAN 1 ¾ INCHES FROM THE TOP AND 1 ¾ INCHES FROM THE SIDES OF A HORIZONTAL SECTION AND 1 ¾ INCHES FROM THE VERTICAL SECTIONS OF THE VENT PIPE.

Wall Termination Venting

Exterior wall opening:

Determine the exact position of the fireplace so that the vent pipe is centered (if possible) between two building framing members. Consult your local building codes prior to proceeding. The vent kit will accommodate up to a maximum wall thickness of 12 inches.

1. Having determined the position of the fireplace, cut and frame a 14½ inch opening centred at a minimum height of 68½ inches above the floor (Figure 41).
2. The opening may be round or square. Height of the opening will vary with each installation. As the horizontal vent run increases, so does the minimum vertical rise, see chart (Figure 42).

IMPORTANT: When locating the opening, it should be noted that vent terminal clearances must be maintained. See "Vent Terminal Clearance" on page 28 section for proper clearances.

A minimum 2 foot length of pipe is required off the top of the fireplace for any wall termination. With this minimum vertical rise in combination with a 90° elbow, a maximum horizontal run of 18 inches is permitted, See Figure 42 Figure 43. For longer horizontal runs greater than 18 inches, increase vertical rise appropriately.

The rise and run must be constrained to the boundaries of the chart shown in Figure 422. The horizontal run of vent must have a ¼" rise for every 1 ft. of run towards the termination.

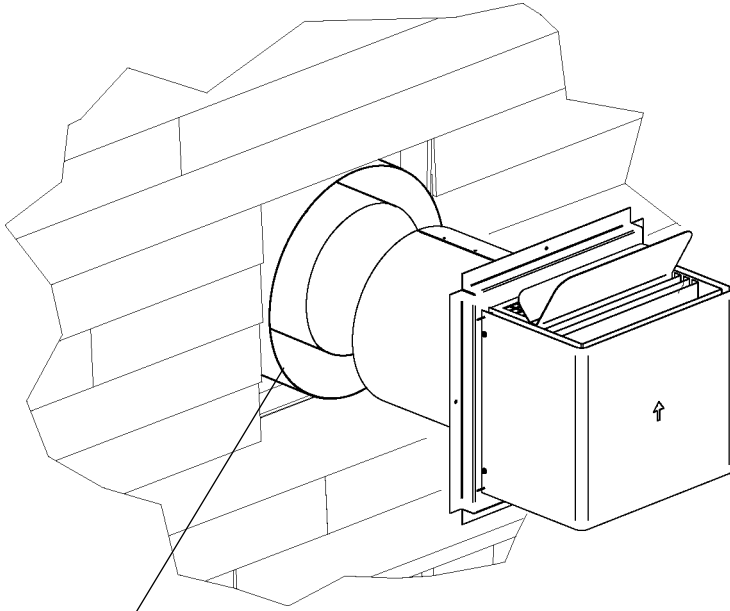


Figure 39: Wall Vent Terminal.

WALL THIMBLE AND VENT MUST NOT PROTRUDE BEYOND SIDING

Wall thimble:

Where a vent pipe passes through a combustible wall, a wall thimble/shield must be used to retain insulation and maintain proper clearances. The wall thimble may be cut to length for various wall thicknesses up to 12" thick.

Measure the wall thickness including the siding. Trim the shield to match the wall thickness. Position the wall thimble from inside through the 14½" opening. Properly adjusted, the thimble should be flush with the outer wall surface.

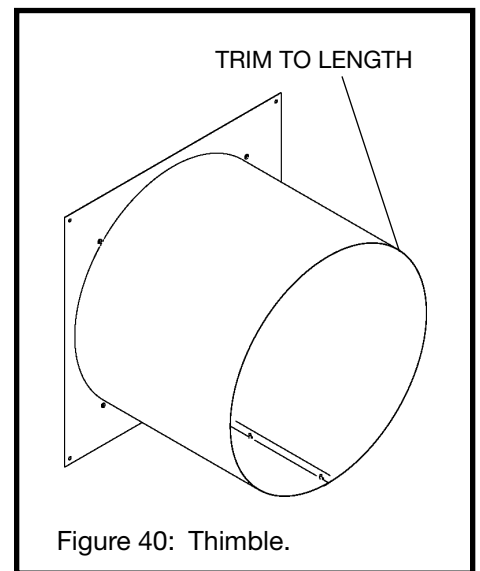


Figure 40: Thimble.

Town & Country approved vent system components

12" Pipe Length.....	22220006
18" Pipe Length.....	22220007
24" Pipe Length.....	22220008
48" Pipe Length.....	22220010
12" Adjustable Pipe Length.....	22220005
45° Elbow	22220009
90° Elbow	22220010
Wall/Offset Support.....	22220012
Wall Termination Kit.....	22270012
Roof Termination Kit.....	22270010
Wall Shield/Ceiling Firestop.....	22270011
Roof Flashing, Adjustable	22220002
Roof Flashing, Flat	22220003
Roof Flashing, Steep.....	22220004
	or any flashing that fits 11" pipe

Vent pipe:

Install vent pipe through the wall thimble and attach to flue outlet collar on top of the fireplace. Secure all joints with screws and seal with approved "High Temp." self-adhesive aluminum tape provided.

Adjust the fireplace position so that the vent pipe does not protrude beyond the outer wall. The vent connector on the termination will accommodate walls up to 12" thick.

Wall vent terminal:

1. Engage the terminal with the vent pipe and slide terminal into place. Ensure that both inner and outer pipes are fully engaged and then attach the terminal to the outside wall. The vent terminal must not be recessed into the exterior wall or siding.
2. Caulk in place to prevent any moisture entering the building.

NOTE: MINIMUM CLEARANCES TO THE VENT TERMINAL MUST BE MAINTAINED. See page 28.

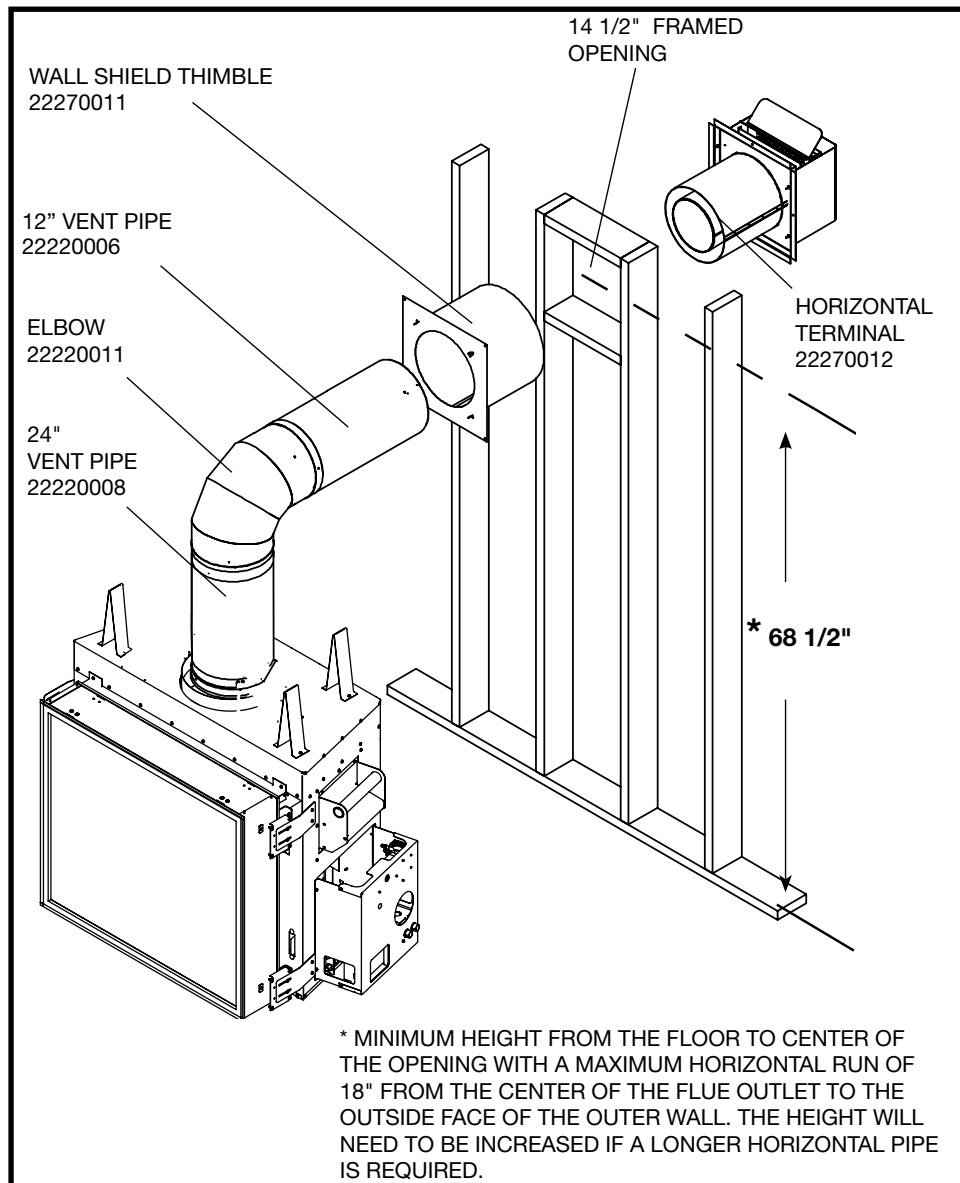
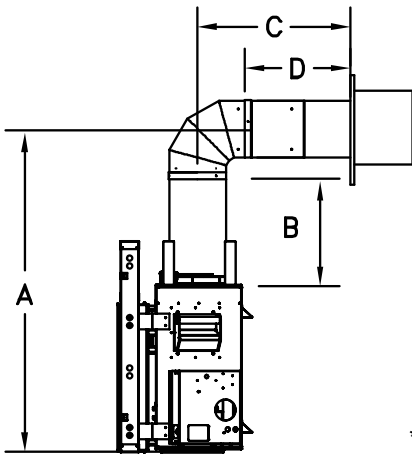


Figure 41: TC36D Wall vent terminal framing.

Wall Termination Venting Chart

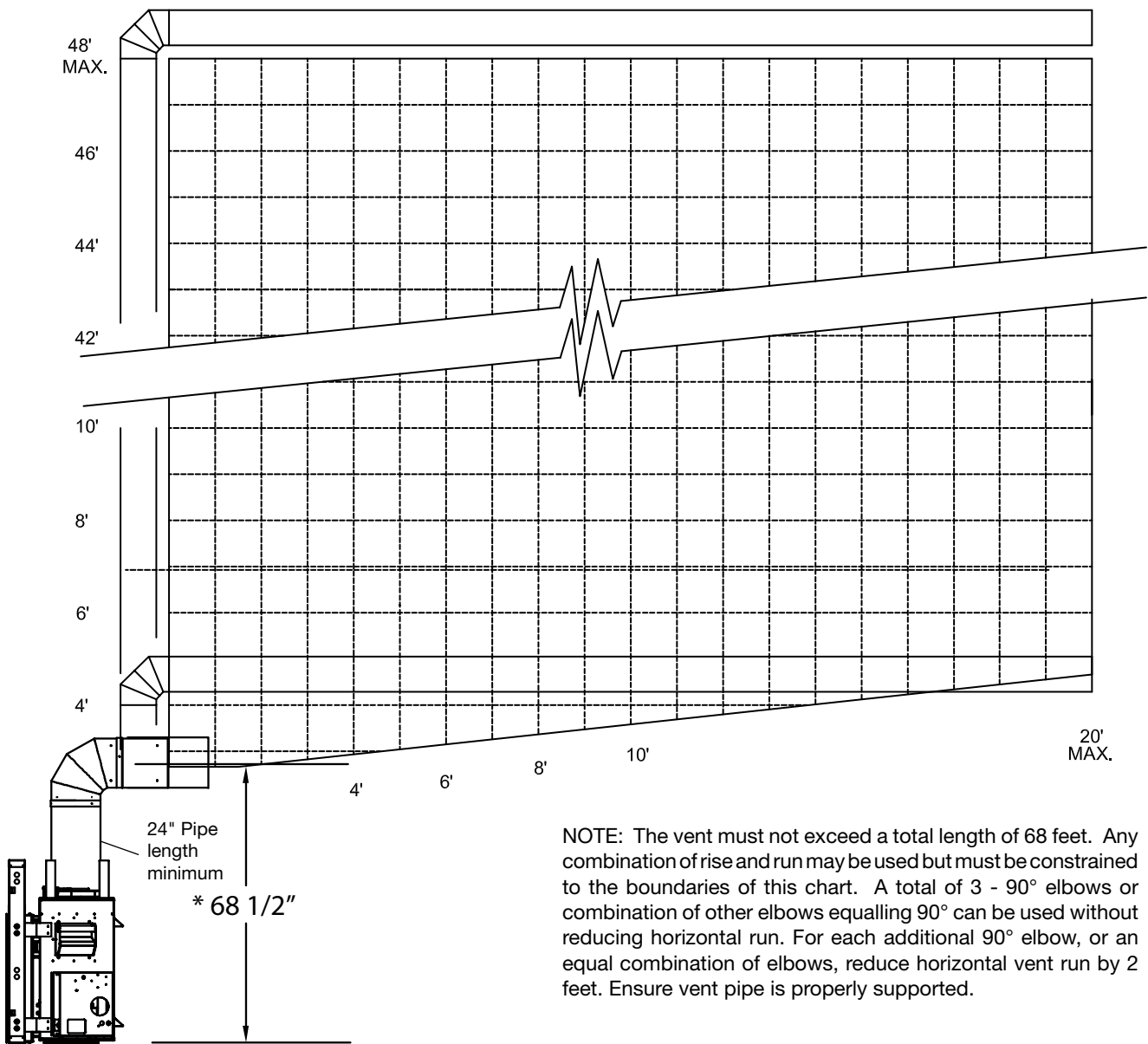


**

A Minimum rise	B Pipe length	C Maximum run	D Pipe length Max.
68 1/2"	1-24"	20 1/2"	1-12"
72 3/4"	1-12" 1-18"	75 3/4"	1-48" 1-12"
78 3/4"	1-24" 1-12"	11' 2"	2-48" 1-24"
84 3/4"	1-24" 1-18"	15' 10 1/2"	3-48" 1-24" 1-12"
92 1/2"	1-48"	20' 10 1/2"	5-48"

For other rise/run combinations see chart below

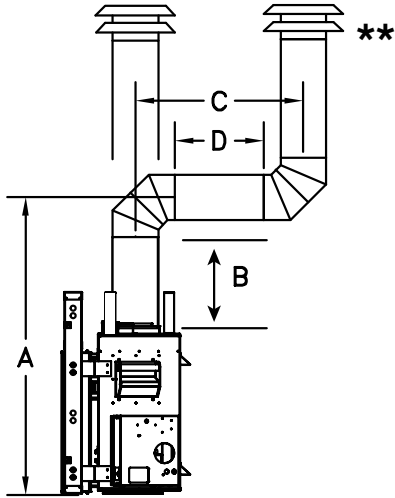
** All dimensions are approximate. Both rise and run may vary with different combinations of pipe.



NOTE: The vent must not exceed a total length of 68 feet. Any combination of rise and run may be used but must be constrained to the boundaries of this chart. A total of 3 - 90° elbows or combination of other elbows equalling 90° can be used without reducing horizontal run. For each additional 90° elbow, or an equal combination of elbows, reduce horizontal vent run by 2 feet. Ensure vent pipe is properly supported.

Figure 42: TC36D Horizontal Run Rise Model.

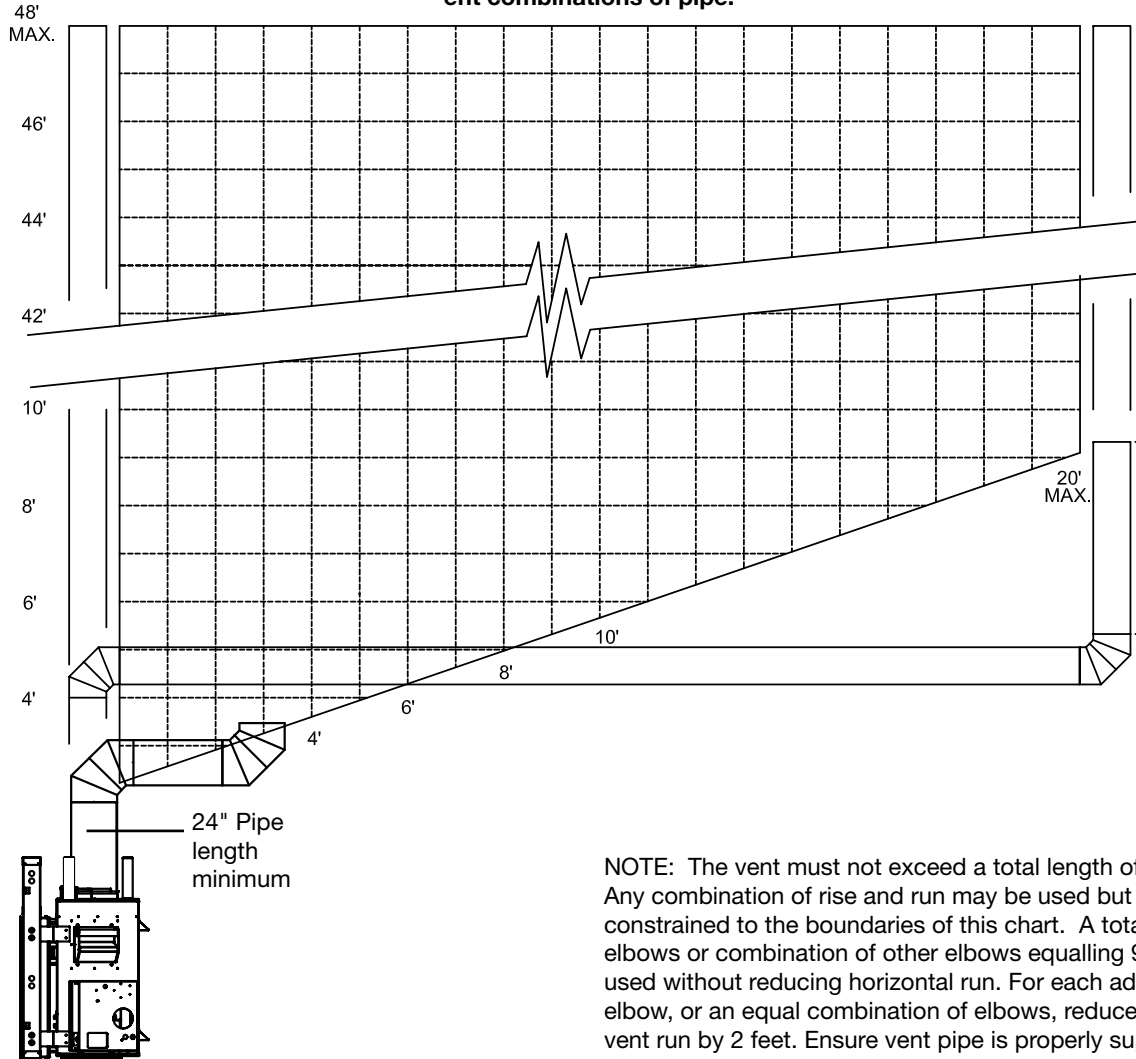
Roof Termination Venting Chart



A Minimum rise	B Pipe length	C Maximum run	D Pipe length Maximum
68 1/2"	1-24"	29"	1-12"
72 3/4"	1-12" 1-18"	75 1/4"	1-48" 1-12"
78 3/4"	1-24" 1-12"	11' 1 1/2"	2-48" 1-24"
84 3/4"	1-24" 1-18"	15' 10"	3-48" 1-24" 1-12"
92 1/2"	1-48"	20' 10"	5-48"

For other rise/run combinations see chart below

**** All dimensions are approximate. Both rise and run may vary with different combinations of pipe.**



NOTE: The vent must not exceed a total length of 68 feet. Any combination of rise and run may be used but must be constrained to the boundaries of this chart. A total of 4 - 90° elbows or combination of other elbows equalling 90° can be used without reducing horizontal run. For each additional 90° elbow, or an equal combination of elbows, reduce horizontal vent run by 2 feet. Ensure vent pipe is properly supported.

Figure 43: TC36D Vertical Run Rise Model.

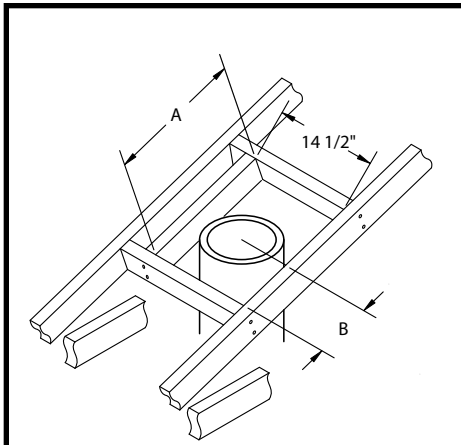


Figure 44: TC36 Roof opening.

Size of the opening will have to increase with the pitch of the roof to ensure a 1 3/4" inch air space clearance between vent pipe and combustibles.

Roof Pitch	A	B
0/12	14 1/2"	7 1/4"
4/12	16 1/2"	8 3/4"
6/12	18"	10"
8/12	19 3/4"	11"
12/12	24"	13 3/4"

Ceiling Opening:

1. Determine the exact position of the fireplace so that the vent pipe is centered (if possible) between two building framing members. Lay out the vent system path, minimizing the number of elbows and length of vent. Consult your local building codes prior to proceeding.
2. Cut and frame a 14 1/2" opening in the floor, ceiling or roof where the vent system will pass. Size of the opening in the roof may need to be increased as the pitch of the roof increases. Avoid cutting rafters.

Ceiling Firestop:

Where a vent pipe passes through a floor or ceiling, a ceiling firestop (Figure 53) must be used to retain insulation and maintain proper clearances.

From below, push the ceiling firestop through the opening and secure in place. If the firestop is used to penetrate a floor, the outer shield may be trimmed in length. If the firestop penetrates into an attic, leave the shield full length to keep insulation away from the vent pipe. (Attic Insulation Shield may be required. SKU #22270029, page 32. Additionally, after the vent pipe is in place, install a storm collar on top of the shield. This will prevent loose insulation from falling into the area between the vent pipe and the shield.

Vent Pipe:

1. Install the first section of vent pipe into the collar on top of the fireplace. Secure in place with screws and seal with approved "High Temperature" self-adhesive aluminium tape provided.
2. Continue adding vent pipe lengths up and through the firestop(s) and through the roof. The vent pipe must extend at least 12" above the roof. Vent pipe may need to extend further depending on the roof pitch. See "Roof Pitch Table" on page 28 for precise lengths. Seal the vent pipe as per "Vent Pipe Sealant" on page 29.

Roof Support Bracket:

Slip the roof support bracket down over the vent pipe. Rotate the 90° brackets to accommodate roof pitch. Attach the brackets to the roof joists with nails or building screws. Tighten the band around the vent pipe and secure in place with screws.

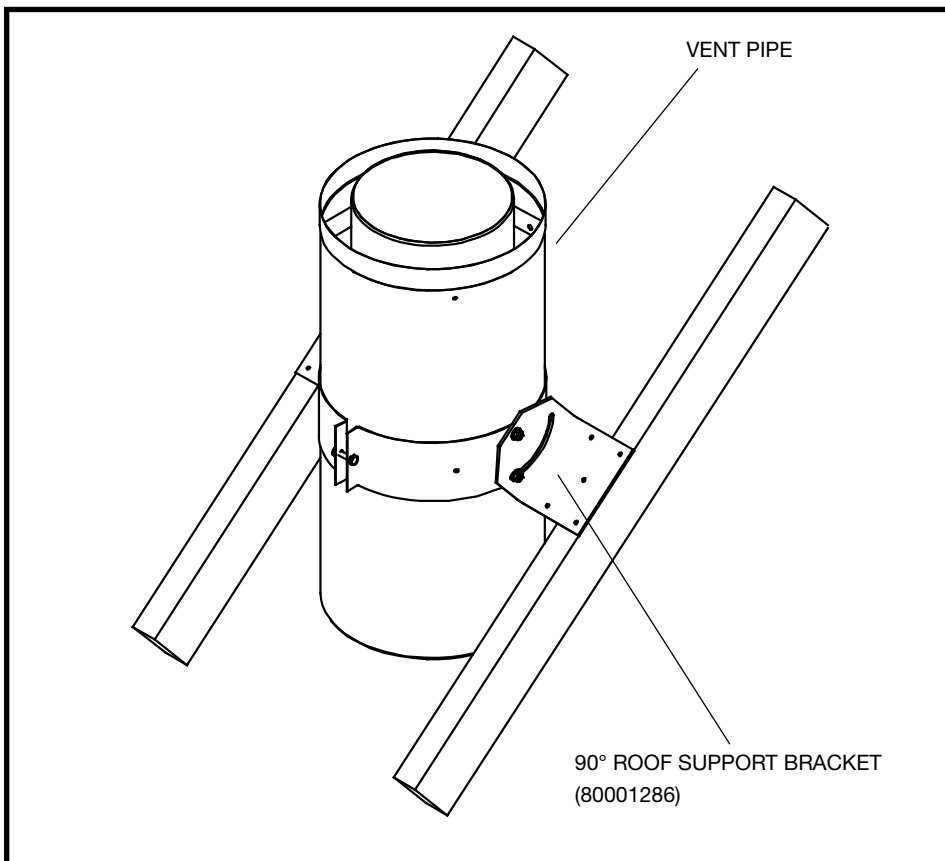


Figure 45: TC36 Roof support bracket.

Roof Vent Terminal:

1. Place the roof flashing over the vent pipe, secure and seal it to the roof using the methods and materials appropriate for the type of roof on the building. Shingle roof example shown (Figure 46).
2. Place the storm collar down over the vent pipe until it is level. Tighten storm collar for a snug fit. Apply a thick horizontal ring of mastic around the pipe at top of the storm collar (Figure 46).
3. Lower the roof vent terminal cap over the vent pipe and secure in place with screws provided (Figure 46). Seal screw heads and joints with caulking to prevent any moisture entering the venting system.

Note:

Adjustable for various roof pitches, from flat roof to 12/12 pitch roof.

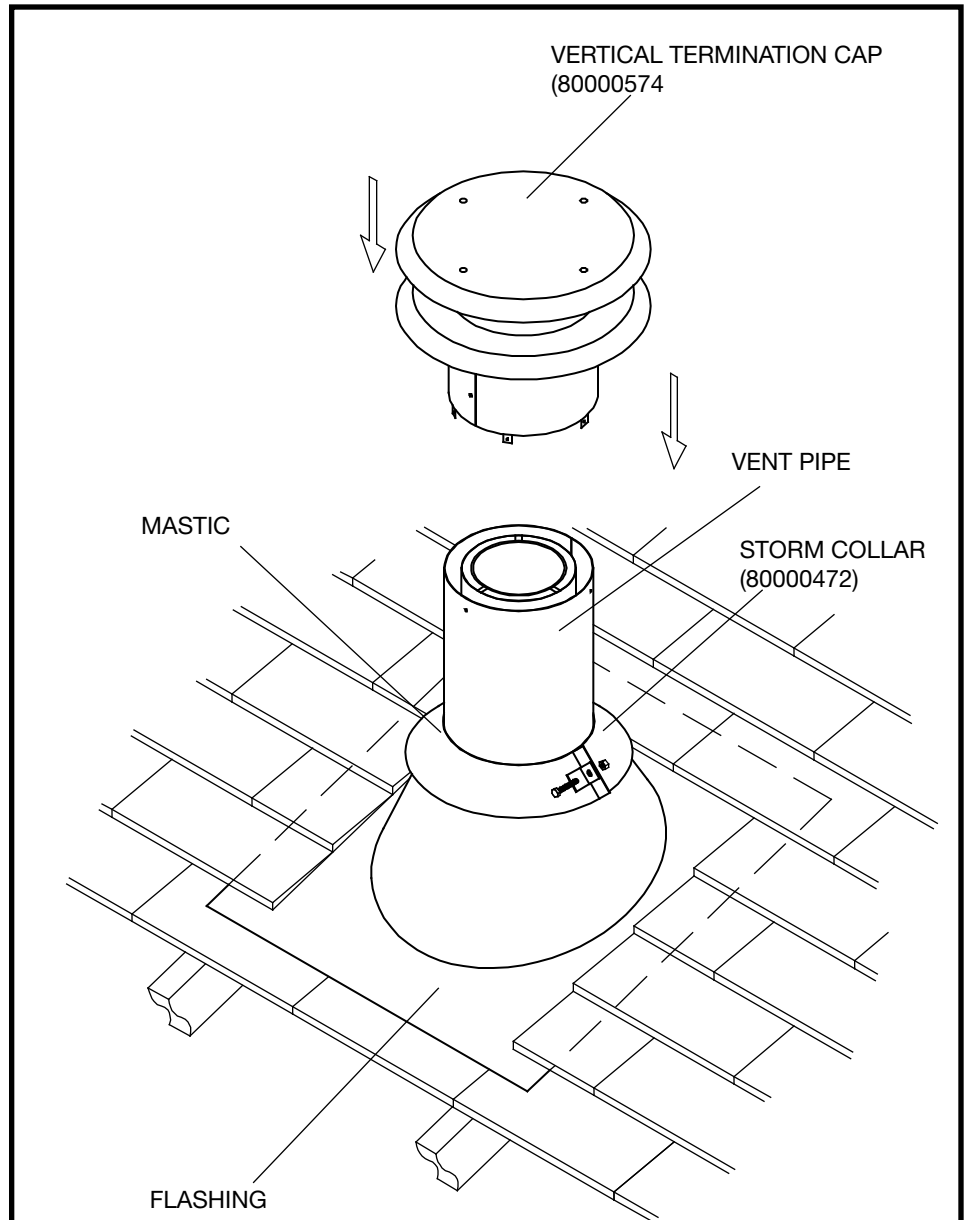


Figure 46: TC36 Roof vent terminal.



Vent Terminal Clearance

Minimum clearances to the vent terminal must be maintained as shown in Figure 477. Measure clearances to the nearest edge of termination hood.

NOTE: Vent terminal must not be recessed
NOTE: LOCAL CODES OR REGULATIONS MAY REQUIRE DIFFERENT CLEARANCES.

Roof Pitch Table (minimum)	ft	m
Flat to 6/12	1.00	0.30
Over 6/12 to 7/12	1.25	0.38
Over 7/12 to 8/12	1.50	0.46
Over 8/12 to 9/12	2.00	0.61
Over 9/12 to 10/12	2.50	0.76
Over 10/12 to 11/12	3.25	0.99
Over 11/12 to 12/12	4.00	1.22

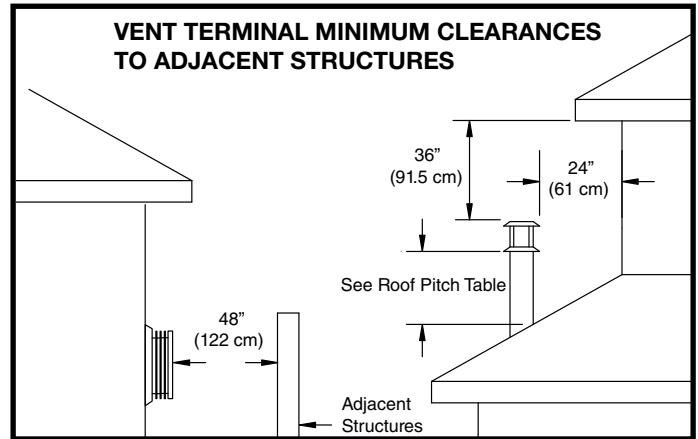


Figure 47: TC36 Vent roof clearance.

Vent Terminal Minimum Clearances

Figure 48: TC36 Vent terminal minimum clearances.

Legend:
 [V] VENT TERMINAL (A) AIR SUPPLY INLET [Hatched] AREA WHERE TERMINAL IS NOT PERMITTED [G] GAS METER

Symbol	Clearance	Description
A=	*12 inches (30 cm) min.	Clearances above grade, veranda, porch, deck, or balcony
B=	*12 inches (30 cm) min.	Clearance to window or door that may be opened
C=	12 inches (30 cm) min.	Clearance to permanently closed window recommended to prevent condensation on window
D=	30 inches (76 cm) min. from the	Vertical clearance to ventilated soffit located above the terminal within a horizontal distance of 2 feet (60 cm) edge of the terminal
E=	30 inches (76 cm) min.	Clearance to unventilated soffit
F=	6 inches (15 cm) min.	Clearance to outside corner
G=	6 inches (15 cm) min.	Clearance to inside corner
H=	3 feet (90 cm) min. of	*Not to be installed above a meter/regulator assembly within 3 feet (90 cm) horizontally from the center-line of the regulator
I=	*6 feet (1.8 m) min.	Clearance to service regulator vent outlet
J=	*12 inches (30 cm) min.	Clearance to non mechanical air supply inlet to building or the combustion air inlet to any other appliance
K=	*6 feet (1.8 m) min.	Clearance to a mechanical air supply inlet
L=	*7 feet (2.1 m) min.	^ Clearance above paved side-walk or a paved driveway located on public property
M=	**30 inches (76 cm) min	Clearance under veranda, porch, deck, or balcony

^ a vent shall not terminate directly above a side-walk or paved driveway which is located between two single family dwellings and serves both dwellings*
 ** only permitted if veranda, porch, deck, or balcony is fully open on a minimum of 2 sides beneath the floor*
 * as specified in CGA B149 Installation Codes, Note: local Codes or Regulation may require different clearances
 * for U.S.A. installations follow the current National Fuel Gas Code, ANSI Z220.1

Vent Pipe Sealant

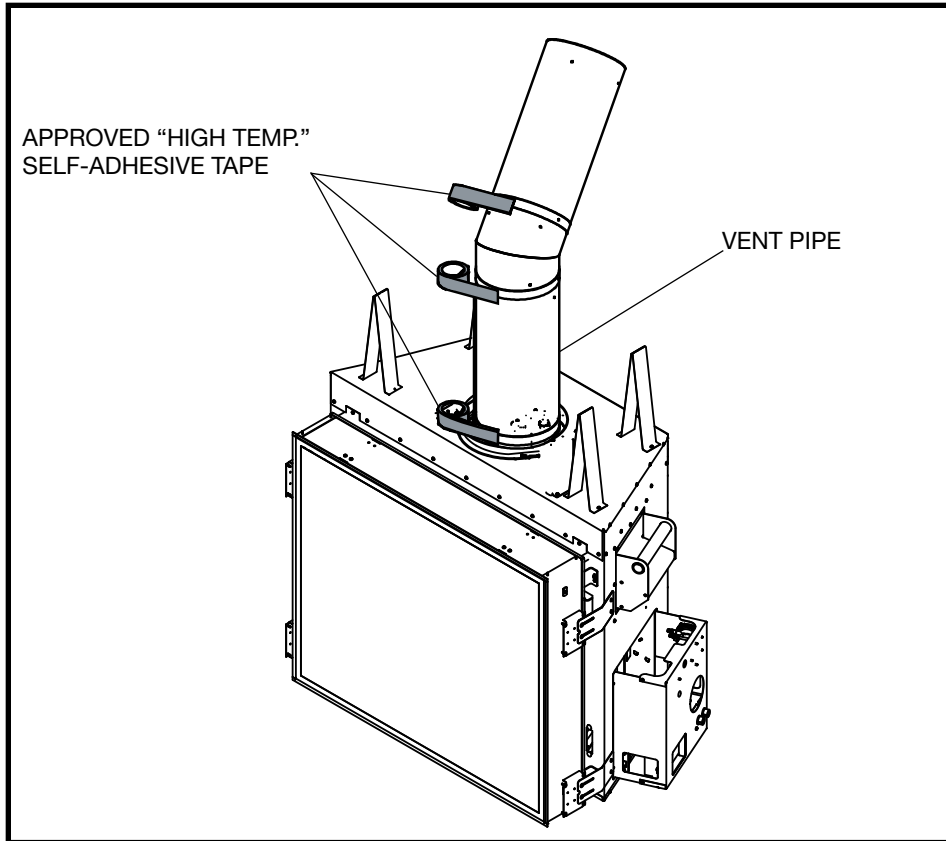


Figure 49: TC36D Sealing vent joints.

All outer joints of the vent pipe must be sealed with the approved "High Temperature" self-adhesive aluminium tape provided. Wrap the tape completely around the joint and press firmly in place.

Insulated Collar Shield (Included)

After sealing the vent pipe an insulation and cover (Pt# TC36.9709 included) must be installed around the vent pipe, flush with the top of the unit and secured by fitting tabs through slots and bending over tabs 180° (Figure 50). The parts required are included.

*NOTE: bending tabs to 90° away from arc bend prior to installation eases the process.

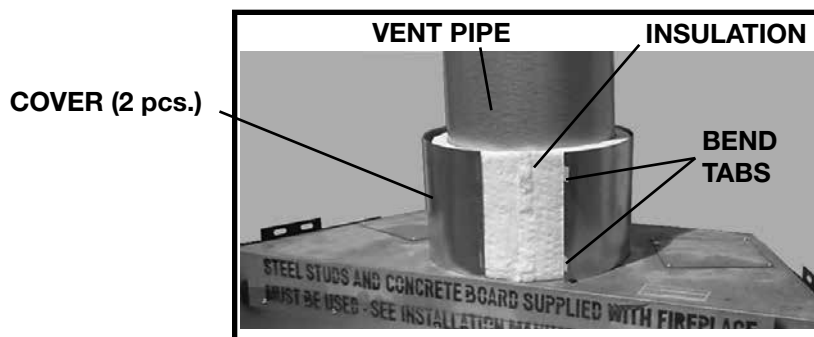


Figure 50: TC36D Collar shield.



Vent Restrictor Adjustment

The vent restrictor is located on the underside of the firebox top. The unit leaves the factory with the vent restrictor open. The restrictor is built into the appliance for secondary air flow adjustment. Adjustment enables tuning the airflow for optimum flame appearance and performance for a wide variety of vent configurations.

Setting:

- Determine the vent height.
- Determine the vent horizontal length.
- From the chart determine the restrictor position.

Refer to the chart (Figure 51), for the correct position of restrictor for the vent configuration of your installation. Restrictor positions are based upon lab tests. The ideal position may vary slightly with installation.

Restrictor position is closed too much if the flame has the following characteristics:

- Flame is excessively tall and lifting.
- Flame lacks movement.
- Flame soots.

Restrictor position is too open if the flame has the following characteristics:

- Flame height is low.
- Flame has excessive movement.

To adjust the restrictor:

- Loosen the screws holding the restrictor plates.
- Move the restrictor plates to its intended opening.
- Retighten the screws.

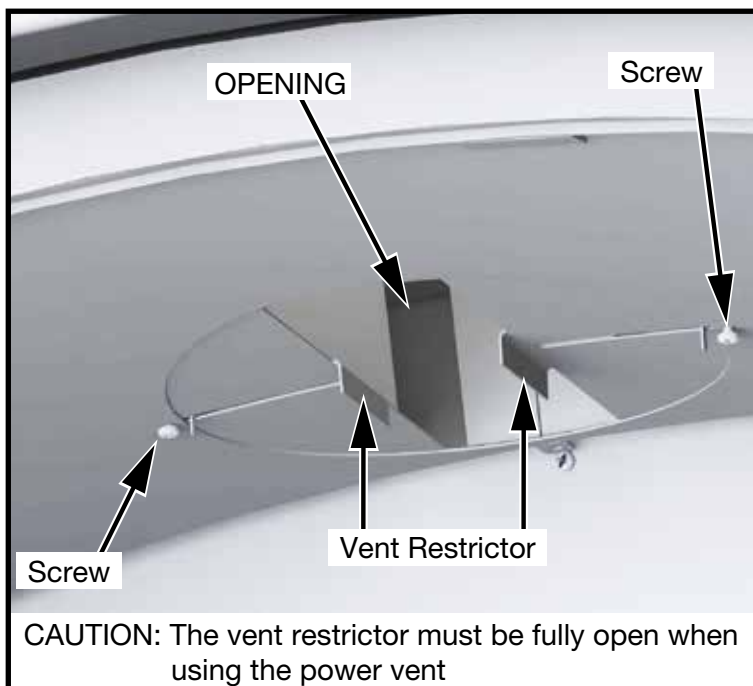


Figure 52: Vent restrictor.

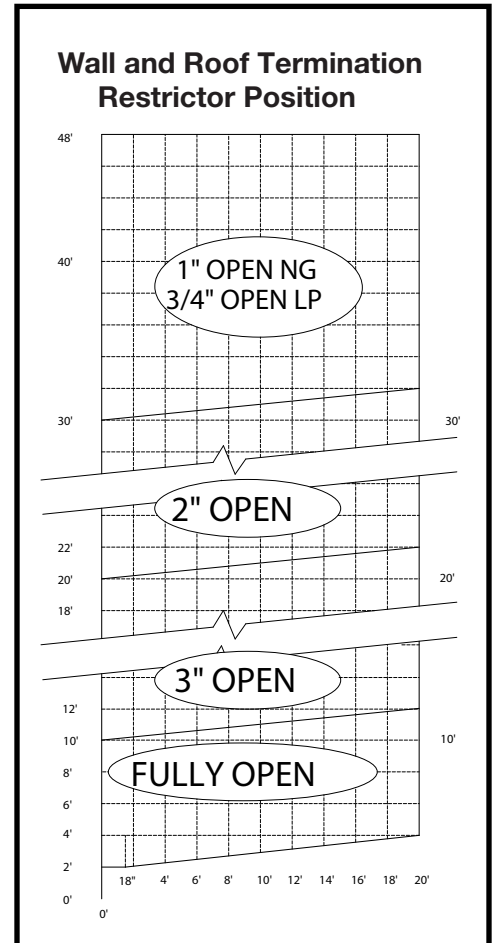


Figure 51: Restrictor rise and run chart.

Wall Shield/ Ceiling Firestop Thimble

Wall Termination Kit

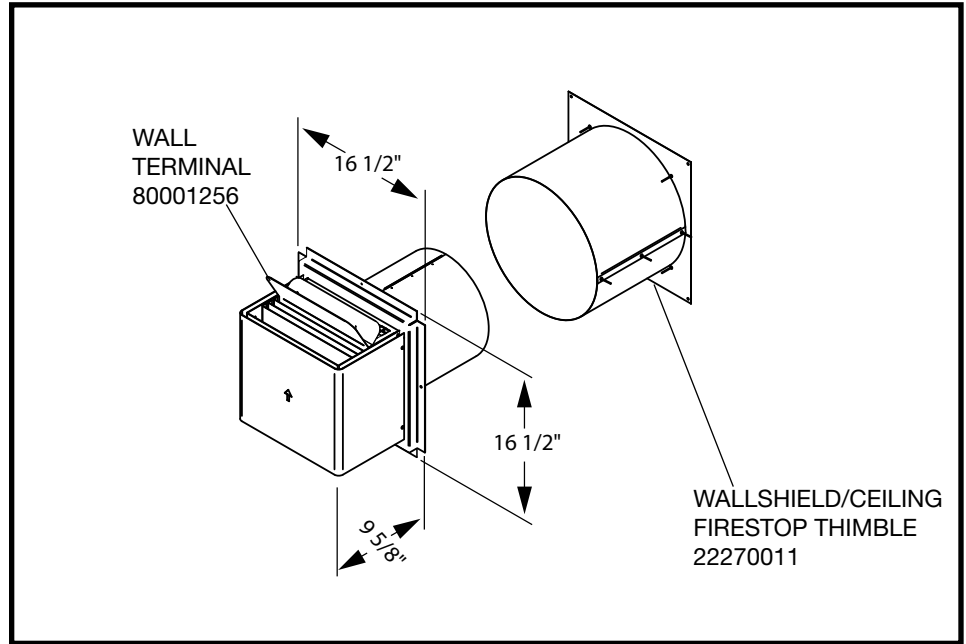
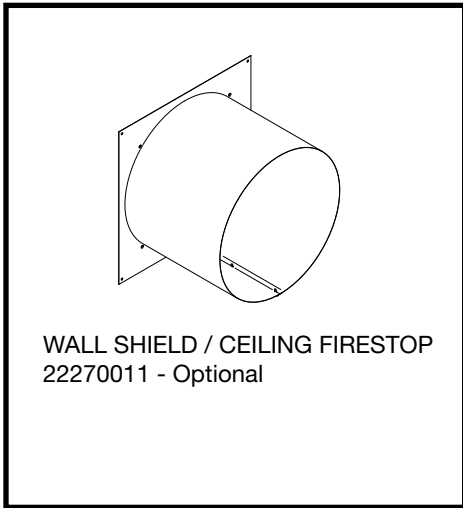


Figure 53: Ceiling fire-stop thimble.

Figure 54: Wall termination kit.

Roof Termination Kit

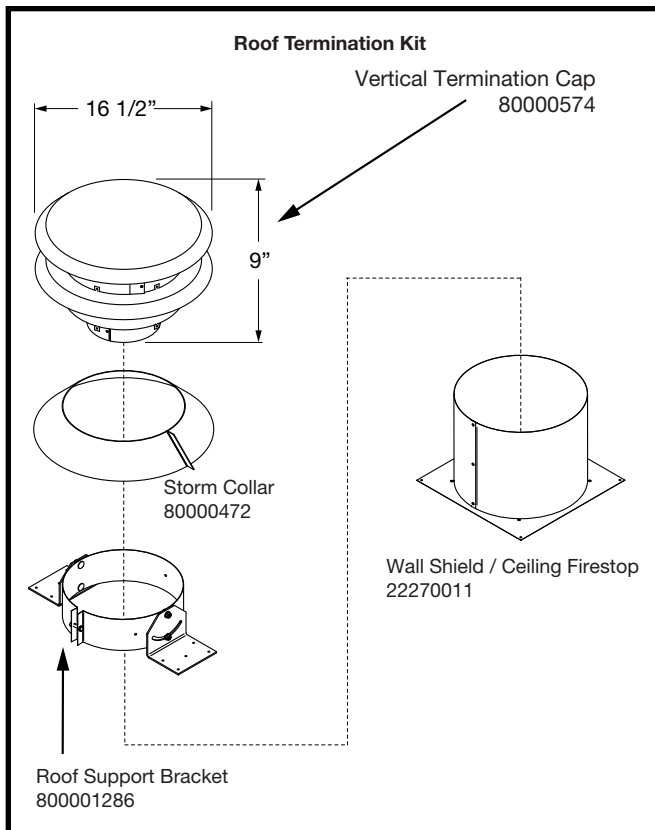


Figure 55: Roof termination kit.

Attic Insulation Shield (Optional)

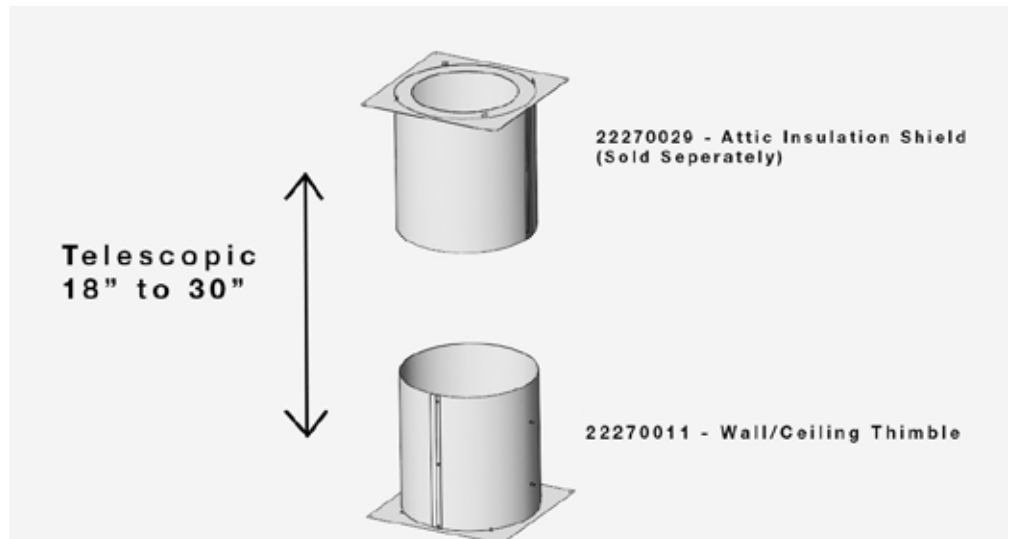


Figure 57: Vent pipe dimensions.

Vent Pipe Dimensions

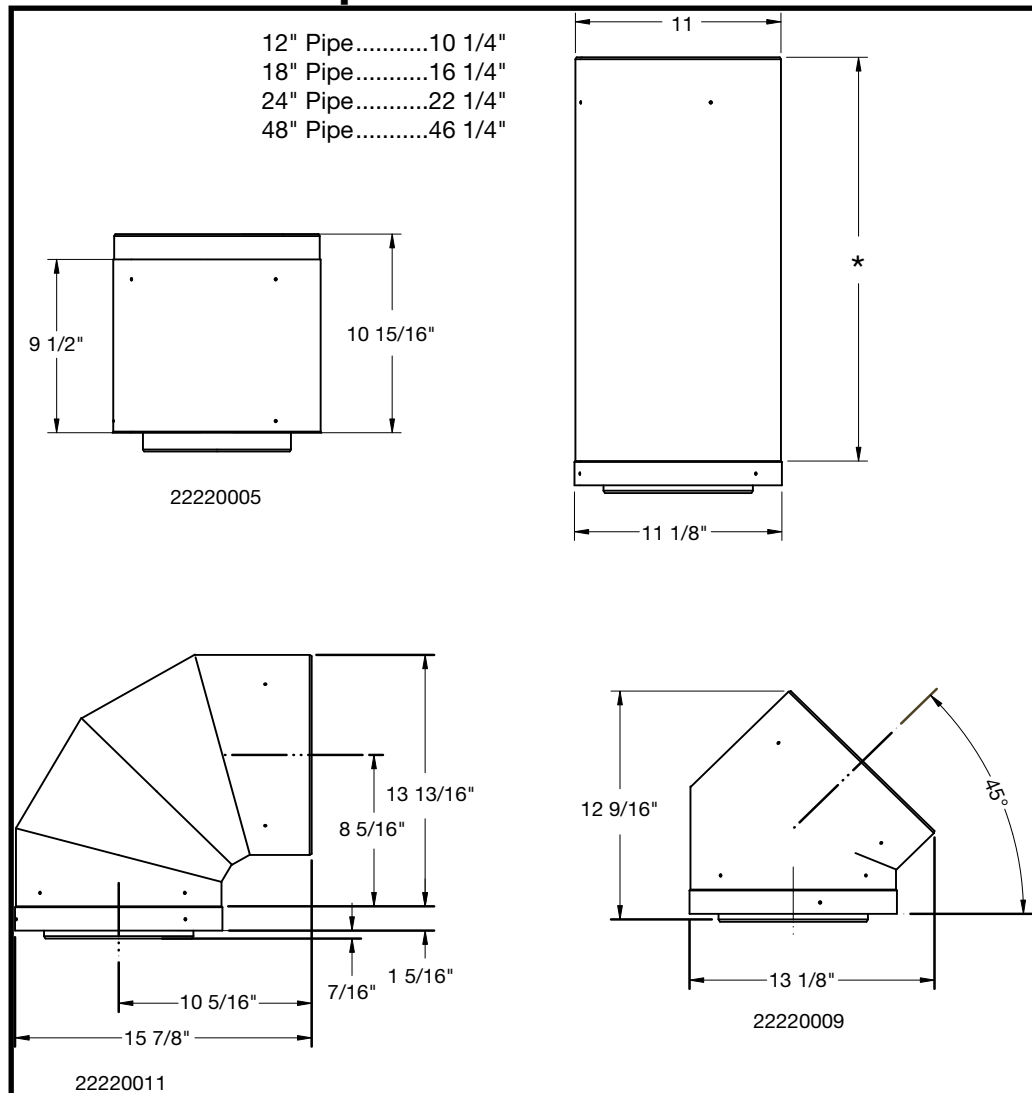
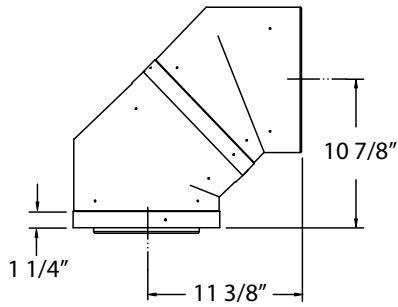
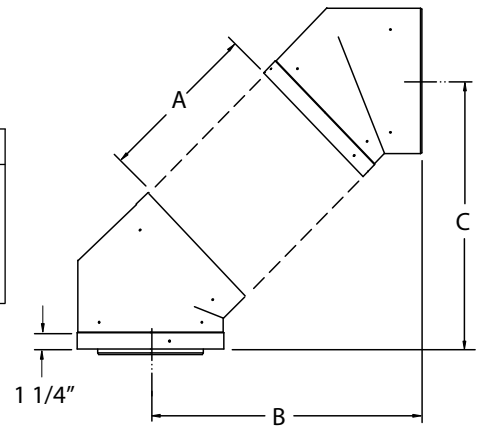


Figure 56: Vent pipe dimensions.

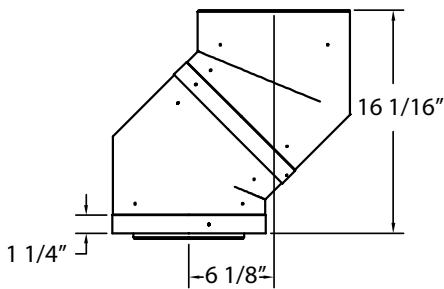
Vent Offset Chart



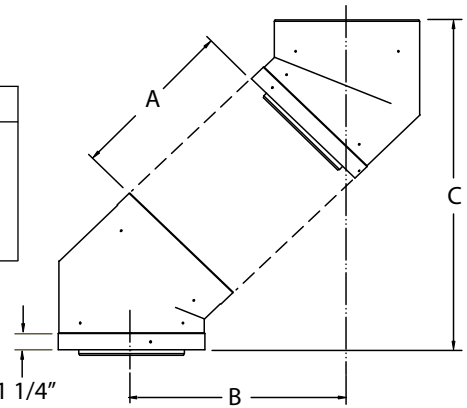
	A	B	C
12" PIPE	18 5/8"	18"	18"
18" PIPE	22 7/8"	22 3/8"	22 3/8"
24" PIPE	27 1/8"	26 1/2"	26 1/2"
48" PIPE	44 1/16"	43 1/2"	43 1/2"



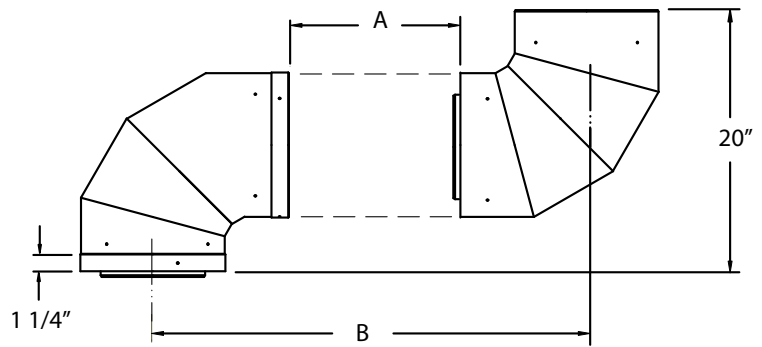
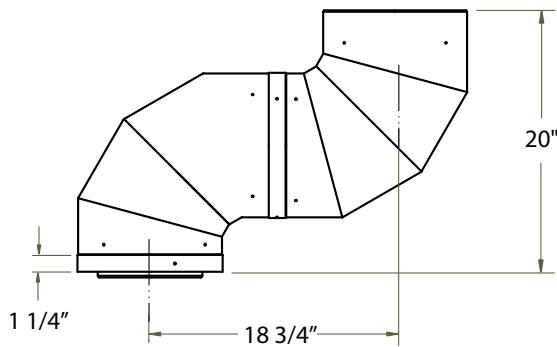
Adding an adjustable section to pipe will increase offset by 2 1/8" to 6 3/4"



	A	B	C
12" PIPE	13 7/16"	23 1/4"	23 1/4"
18" PIPE	17 9/16"	27 5/8"	27 5/8"
24" PIPE	21 7/8"	31 3/4"	31 3/4"
48" PIPE	38 3/4"	44 7/8"	44 7/8"



Adding an adjustable section to pipe will increase offset by 2 1/8" to 6 3/4"



	A	B
12" PIPE	29"	29"
18" PIPE	35"	35"
24" PIPE	41"	41"
48" PIPE	65"	65"

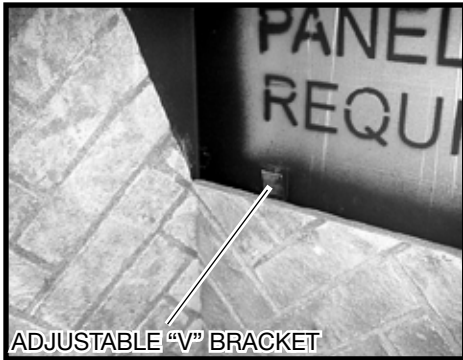
Adding an adjustable section to pipe will increase offset by 3" to 9 1/2"

Figure 58: Vent offsets.



Firebox Panels Installation

TC36 & TC36 ARCH PANELS



REAR LOWER PANEL

Figure 59: TC36D Panel V-brackets.

The lower rear panel is held tight against the side panels by two "V" brackets located on the firebox rear wall (Figure 59). Although the brackets are adjusted at the factory for the best fit, some adjustment may be necessary. Adjust the angle of the bracket by hand to ensure a snug fit.

Note - the TC36 Arch has a one piece rear panel and therefore has no "V" brackets.

Due to manufacturing tolerances from the supplier, fibre panels made need to be trimmed to fit in the unit.

TC36 & TC36 Arch Panel Sets

PARK AVE. HERRINGBONE 2.....	22200018
	22200027(ARCH)
MOUNT VERNON RED BRICK 2.....	22200017
	22200026(ARCH)
MANHATTAN STACKED BRICK 2	22200015
	22200024(ARCH)
MADISON	22200014
	22200023(ARCH)
BLACK PORCELAIN	22200012
	22200021(ARCH)
COFFEE BEAN BROWN PORCELAIN	22200010
	22200019(ARCH)
TITANIUM	22200013
	22200022(ARCH)
COPPER.....	22200011
	22200020(ARCH)

(See Porcelain panel instruction manual for specific instructions for these panels). Before proceeding see burner instructions.

TC36: A Firebox Panel Set must be installed for safe operation. Do not use the fireplace without panels. Unpack and inspect all panels. The panels need to be installed before the logs are in place.

Caution: The Firebox Panels are very fragile, and should be handled with care.

1. Remove the Side Panel Retainer located on the underside of the firebox heat shield. The retainer slips between the lip of the firebox and the heat shield and is retained in place by two screws (Figure 60 and Figure 61).
2. Install the Lower Rear Panel (the TC36 Arch has a one piece rear panel).

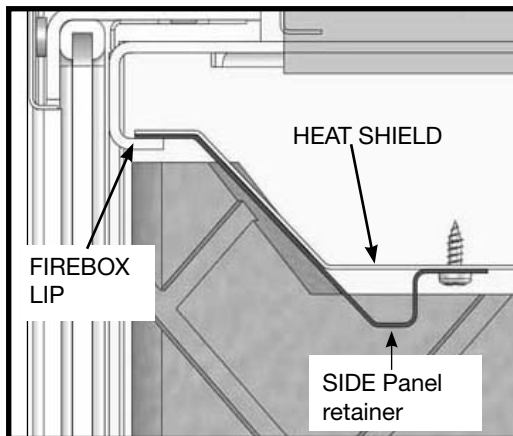


Figure 60: TC36D Side panel retainer.

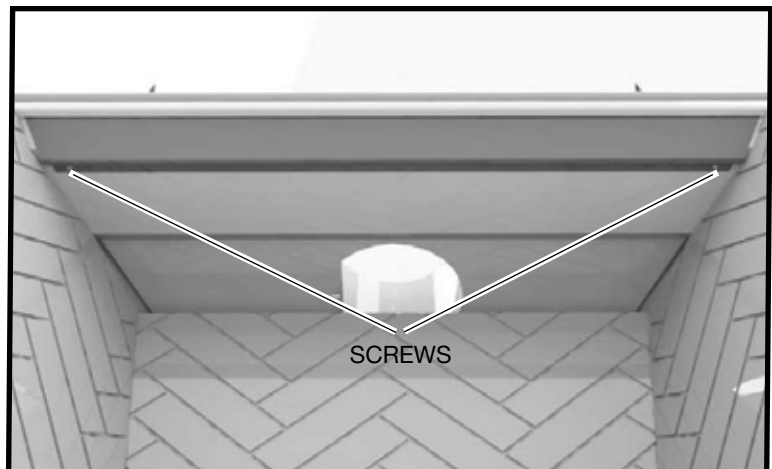


Figure 61: TC36D Side panel retainer screw location.

3. Apply gas connection before installing panels.
4. Install the Right Side Panel by inserting the bottom of the panel in first and then angling it up into position. It may be necessary to push the firebox shield up to allow panel to move freely into place.
5. Install the Rear Upper Panel. Note - the TC36 Arch has a one piece rear panel.
6. Install the Left Side Panel by inserting the bottom of the panel in first and then angling it up into position.
7. Reinstall the Side Panel Retainers.
8. Install the Left and Right Front Panels.

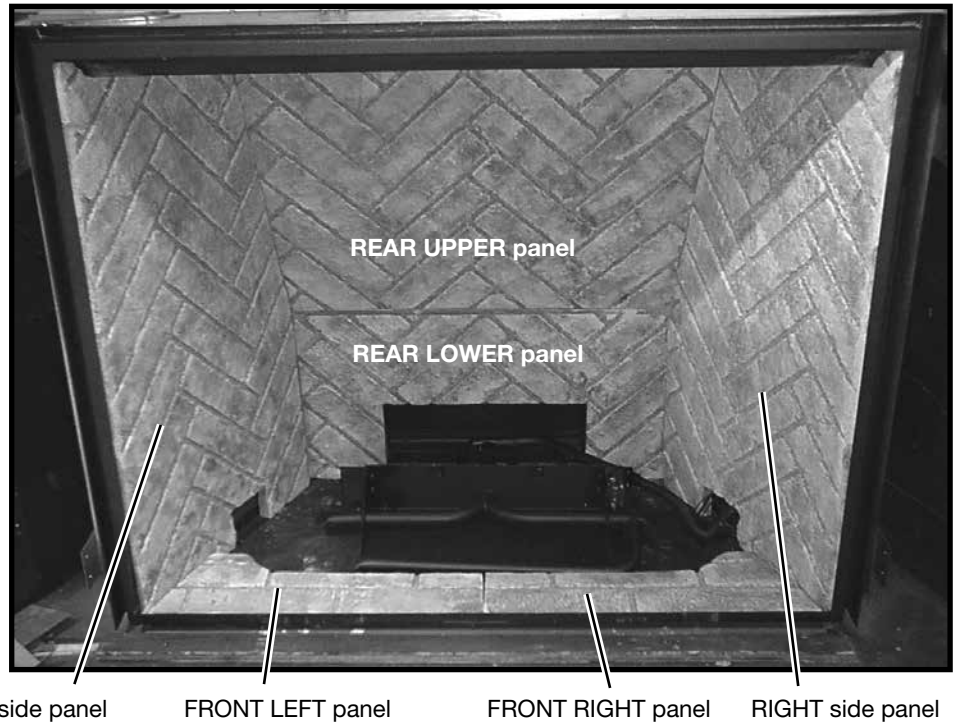


Figure 62: TC36D Panel placement.
(HERRINGBONE PANEL SET SHOWN)

TC36 ARCH: A Firebox Panel Set must be installed for safe operation. Do not use the fireplace without panels. Unpack and inspect all panels. The panels need to be installed before the logs are in place. Caution: The Firebox Panels are very fragile, and should be handled with care.

1. Remove the Brow Piece located on the underside of the firebox heat shield. The Brow is secured to the heat shield with five screws behind the Brow front flange. Figure 63.
2. Install the one piece Lower Rear Panel.

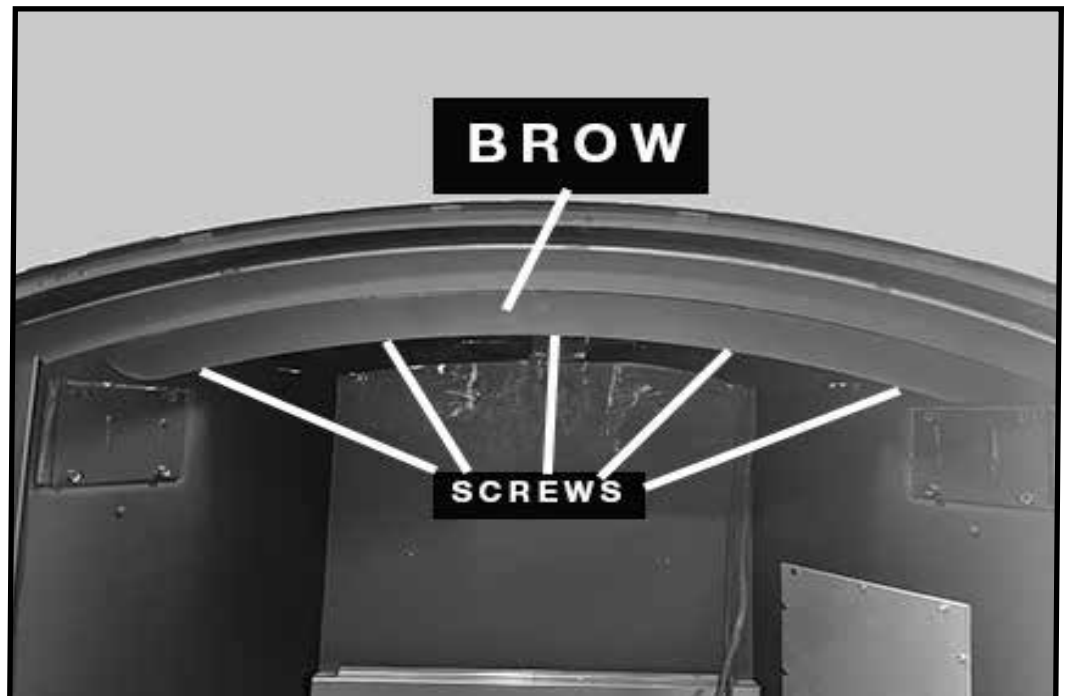


Figure 63: TC36D Arch Brow Piece screw location.

3. Apply gas connection before installing panels.
4. Install the Right Side Panel by inserting the bottom of the panel in first and then angling it up into position. It may be necessary to push the firebox shield up to allow panel to move freely into place.
5. Install the Left Side Panel by inserting the bottom of the panel in first and then angling it up into position.
6. Reinstall the Brow piece.
7. Install the Left and Right Front Panels.



Figure 66: TC36D Panel placement.

Transition Trim Kit Installation

The Transition trim kit (80002252-TC36D2 & 80002253-TC36D2 ARCH includes two side pieces, a top piece, and a bottom meshed piece which will be placed onto the fireplace floor and in front of the glass once the fireplace door is installed.

Installation

1. With the door in place, begin by setting out the two side trim pieces and the top piece. Each of these three trim pieces require small button magnets which are included with the trim pieces.
2. Install the two side trim pieces first using two smaller magnets on each piece as shown in Figure 64 and Figure 65.



Figure 64: Installing the side trim.



Figure 65: Side trim in place.



Figure 67: Installing top trim.

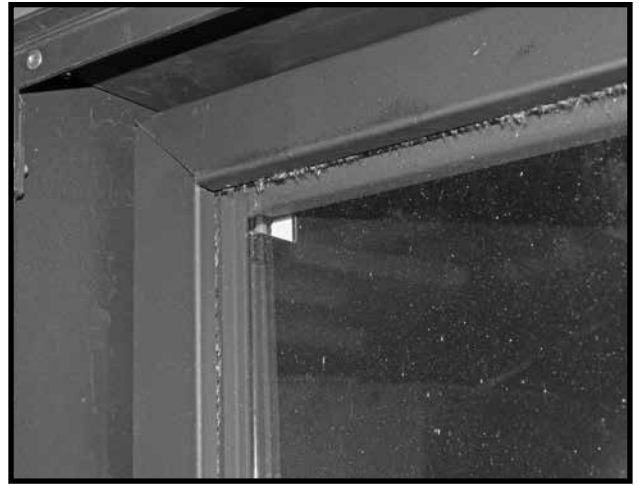


Figure 68: Top trim in place.

3. Install the top trim piece over top of the two side trim pieces using three larger magnets (Figure 67 and Figure 68).

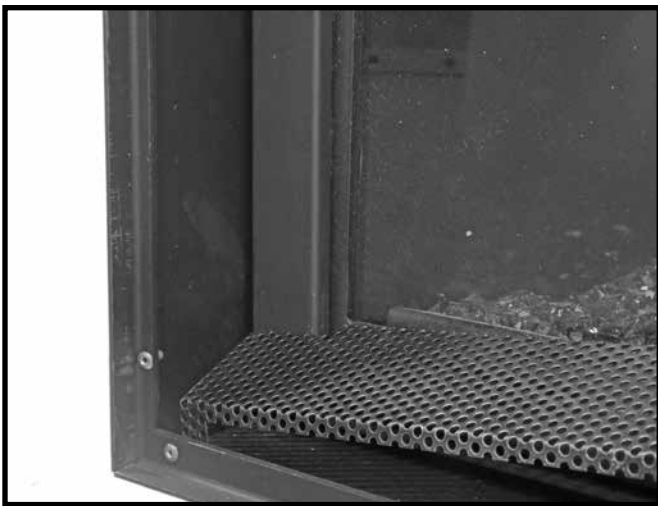


Figure 69: Installing bottom trim.

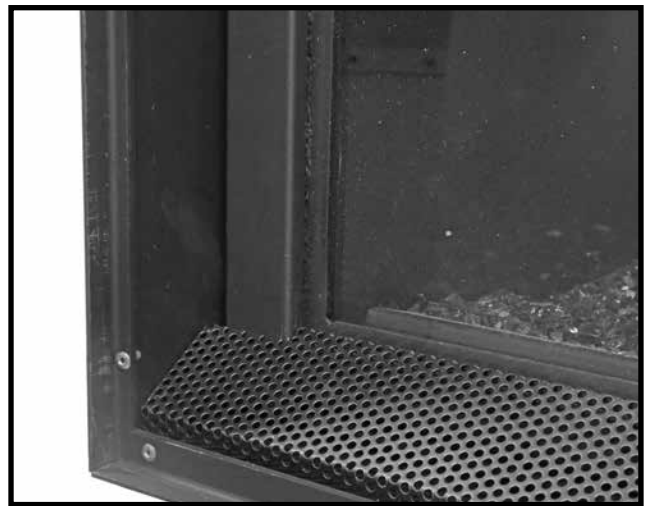


Figure 70: Bottom trim in place.

4. The meshed trim piece for the bottom rests on the floor and in the gap between the outer-most door frame and the fireplace glass (Figure 69 and Figure 70).



Figure 71: Town & Country magnetic badge.



Figure 72: T&C badge on right side of trim piece.

- The trim kit comes with a Town & Country badge (Figure 71). Affix this badge to the right hand side of the lower meshed trim piece as shown in Figure 729.
- Attach the magnetic safety barrier screen (Figure 73) to the outer-most door frame

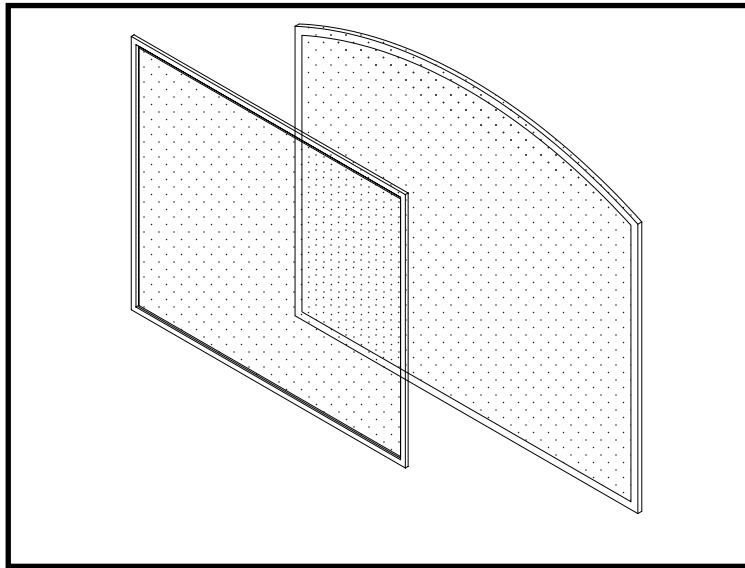


Figure 73: TC36 & TC36 Arch safety barrier screen.

Transition Trim Kit Instructions for TC36 Arch

Installation for TC36 Arch

- Place two smaller magnets on back of each side trim piece.
- Place three larger magnets on back of the top trim piece.

Attach the side trim pieces first. Even the ends up with the door frame.

NOTE: The side pieces come with a left and right side piece. Ensure the smaller tab, circled in Figure 74, is to the top.

- Attach the top trim piece and adjust so mitres are even at the corners.
- The meshed trim piece for the bottom rests on the floor and in the gap between the frame and the glass fireplace door as shown in Figure 72.

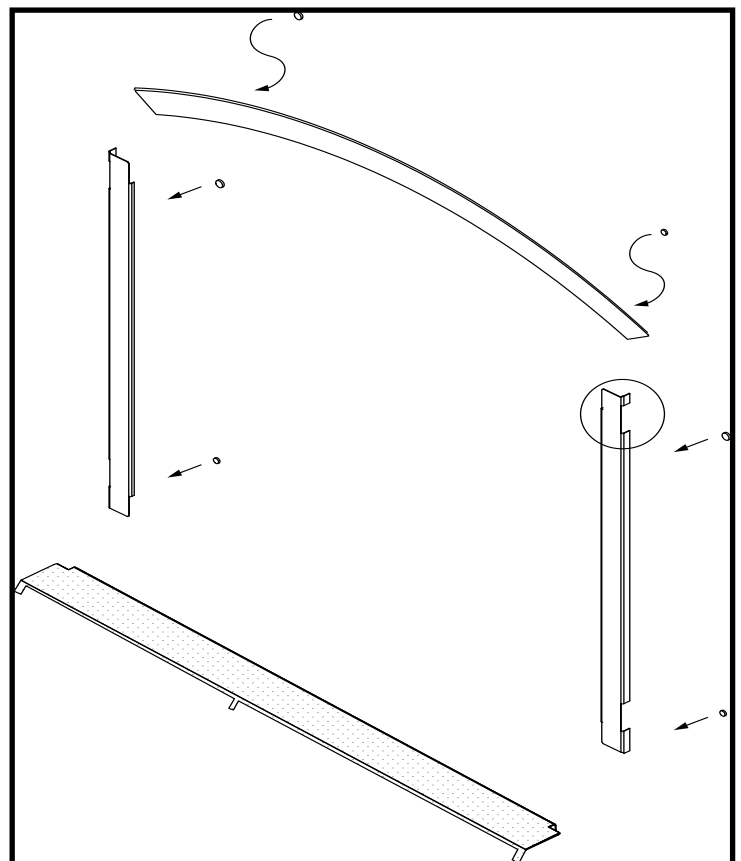


Figure 74: TC36 Arch Trim.

Linking Remote Handset to the Fireplace

Town & Country Fireplaces can be operated remotely by using the remote handset that came with the fireplace, and by using a BlueTooth® enabled apple mobile device and the “TC Fire” app which can be downloaded free from the Apple® app store. For linking to the fireplace using a BlueTooth® enabled apple mobile device, refer to the user manual that came with this fireplace. For linking the remote handset that came with this fireplace, complete the following two steps:

Bluetooth Wall Switch Pairing Procedure:

Step 1: Procedure for linking / pairing wall switch to fireplace

1. Set the wall switch selector to the “Remote” setting.
2. Press and hold **Program** button (Figure 75) on the wall switch for up to 10 seconds. Use a straightened paper clip to access the button.
3. The wall switch will beep 5 times. Release the button following the beeps.
4. The fireplace will beep 3 times repeated by another 3 beeps.
5. The fireplace and wall switch are now linked/paired.

If there is cross communication with another nearby fireplace causing the other fireplace to activate instead of the intended fireplace, repeat above procedure to automatically switch to another one of three available channels.



Figure 75: Town and Country wall switch.

Step 2: Procedure for linking / pairing the wall switch to remote handset

1. Press and release **Program** button on the wall switch once (Figure 75).
2. You will hear 3 beeps from the wall switch.
3. Press and release the **on/off** button (Figure 76) on the remote handset (within 60 sec.)
4. The wall switch will beep 3 times.
5. The remote handset is now linked/paired to the wall switch and is ready to activate the fireplace.



Figure 76: Remote handset.

Linking Remote Handset to the Module (Basic Wall Switch only)

Basic Wall Switch pairing procedure:

(When using the basic wall switch, the remote is paired directly to the module.)

1. Press and release **Program** button on the wall switch once (Figure 75).
2. You will hear 3 beeps from the module.
3. Press and release the **on/off** button (Figure 76) on the remote handset (within 60 sec.)
4. The module will beep 3 times.
5. The remote handset is now linked/paired to the module and is ready to activate the fireplace.

Maintenance

CAUTION: Turn off gas and electrical power supply (if applicable) and allow ample time for unit to cool before servicing appliance. It is recommended that the fireplace and its venting should be inspected at least once a year by a qualified service person.

Glass Panel:

Warning: Do not operate fireplace with glass panel removed, cracked or broken. Replacement of the glass panel should be done by a licensed or qualified service person.

Do not strike or otherwise impact the glass in anyway that may cause it to break. If the glass becomes cracked or broken it must be replaced before using the fireplace. Replacement glass can be obtained from your nearest Town & Country Fireplaces™ dealer. Be sure to specify if the fireplace has a regular door or an arched door. Use ceramic glass only. Do not substitute with any other type.

To remove broken glass, remove door frame as noted in “Door Frame Removal” on page 7

Unclip the Glass Retainer Clips located at the top and sides of the glass door frame. Pull the top edge of the glass out of the frame first, then lift it up and out of the bottom edge.

Install the new piece of glass with the gasket into the frame so that the thicker bead of gasket faces the fireplace.

Reinstall glass retaining clips.

Annual Inspection:

- A) Remove glass panel and inspect the decorative burner media (such as logs, pebbles, glass etc) for soot build up. If excessive build up of soot is present, have a qualified service person inspect and adjust the unit for proper combustion. Clean the decorative media and use a brush or vacuum cleaner to clean the burner, paying close attention to the burner ports.
- B) Check the pilot system for proper flame size and operation. Clean pilot free of soot, dust or any other deposits (Figure 77)
- c) Check that the vent pipe and vent terminal are open and free from blockage or debris. If the venting is disassembled for cleaning, it must be properly assembled and re-sealed. Refer to VENTING section for proper procedure.
- d) Check glass panel gasket, replace if necessary. It is important that the glass seal be maintained in good condition.
- e) Check and replace batteries as needed.

Note: The appliance area must be kept clear and free from combustible materials, gasoline and other flammable vapours and liquids.

Periodically:

- a) Viewing glass may be cleaned as necessary with fireplace glass cleaner.
- b) Exterior finish may be cleaned with mild soap and water.

CAUTION:

Do not use abrasive cleaners on glass or any other part of the fireplace.
Do not clean glass when hot.

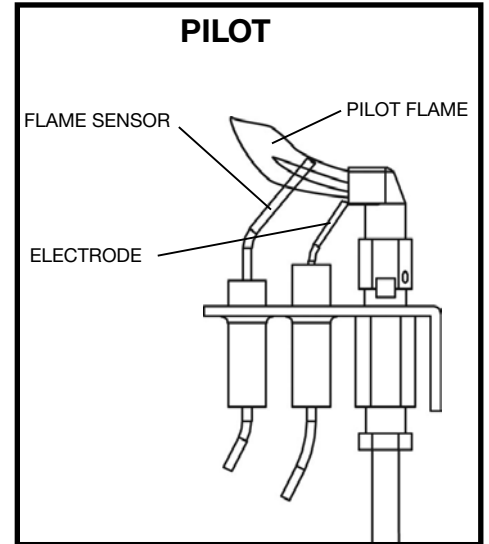


Figure 77: Pilot assembly.

TC36 Parts Diagram

(WHEN ORDERING, INCLUDE PART NUMBER WITH DESCRIPTION)

ITEM	DESCRIPTION	PART NO.	ITEM	DESCRIPTION	PART NO.
#1	TC36 BODY ASSY	22030004	#4	PANEL SETS	
#2	GLASS ASSY	80002501		PARK AVE. BEIGE HERRINGBONE	22200018
#3	FRAMING KIT	800000451		MT.VERNON RED BRICK 2	22200017
				MANHATTAN STACKED BRICK	22200015
				MADISON	22200014
				BLACK PORCELAIN	22200012
				CB BROWN PORCELAIN	22200010
				TITANIUM	22200013
				COPPER	22200011

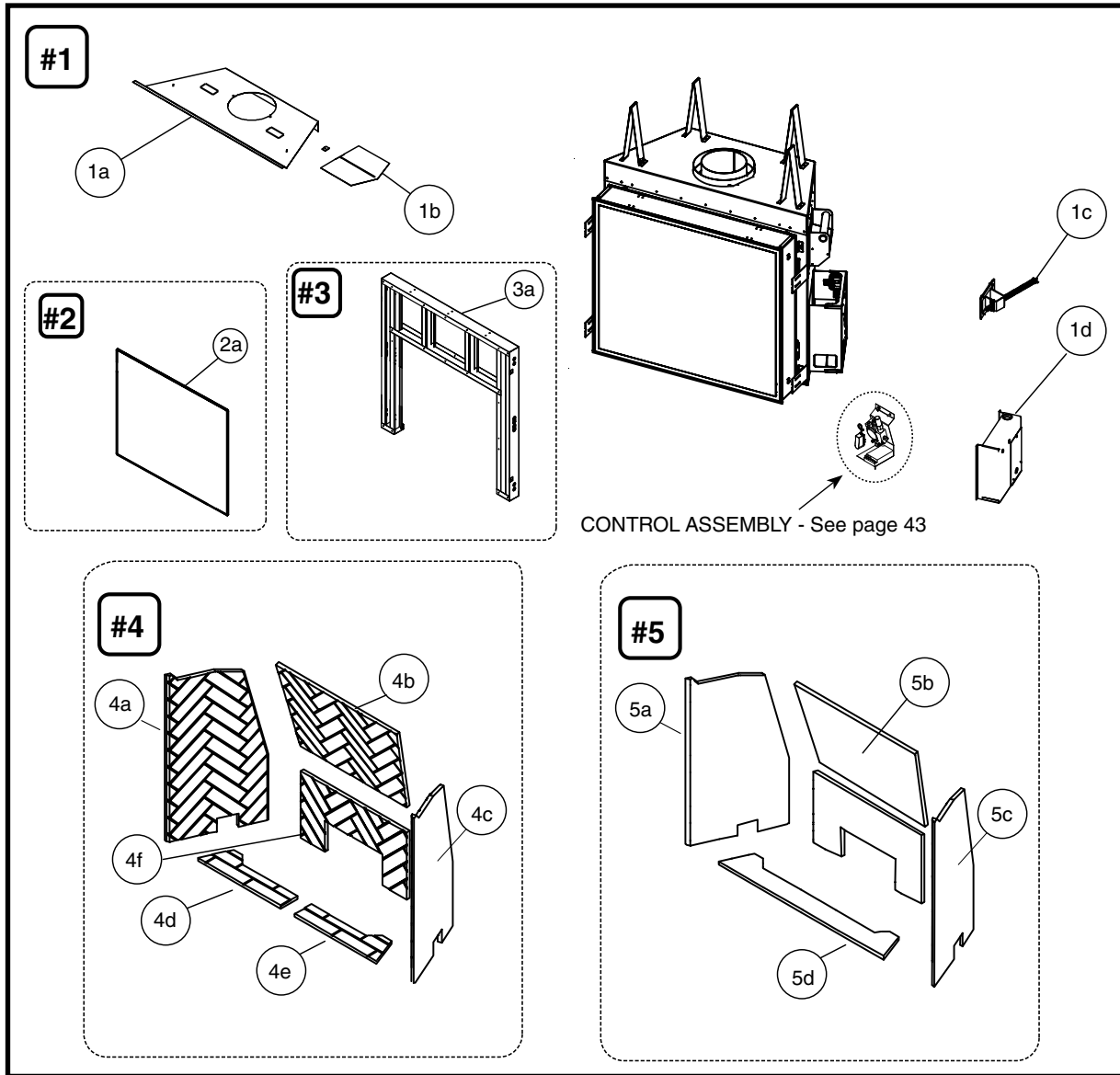


Figure 78: TC36 D parts.

KIT CONTENTS:

- | | | | |
|---|--|---|--|
| <p>#1 TC36 BODY ASSEMBLY
 1a FIREBOX SHIELD (c/w insulation)
 1b FLUE DAMPER
 1c SPRING LATCH ASSEMBLY(2)
 1d CONTROL ASSEMBLY HOLDER
 1e LIGHT ASSEMBLY(not shown)</p> | <p>#2 GLASS ASSEMBLY
 2a...REPLACEMENT GLASS
 (c/w gasket)</p> <p>#3 FRAMING KIT
 3a...STEEL STUDS</p> | <p>#4 FIBER PANEL SETS
 4a.....PANEL, LEFT SIDE
 4b.....PANEL, UPPER
 4c.....PANEL, RIGHT SIDE
 4d.....PANEL, LEFT BASE
 4e.....PANEL, RIGHT BASE
 4f.....PANEL, LOWER BACK</p> | <p>#5 PORCELAIN PANEL SETS
 5a...PANEL, LEFT SIDE
 5b...PANEL, UPPER/LOWER REAR
 5c...PANEL, RIGHT SIDE
 5d PANEL, LEFT/RIGHT BASE</p> |
|---|--|---|--|

TC36.DAR2 Parts Diagram

(WHEN ORDERING, INCLUDE PART NUMBER WITH DESCRIPTION)

ITEM	DESCRIPTION	PART NO.	ITEM	DESCRIPTION	PART NO.
#1	TC36 ARCH BODY ASSY.....	22030017	#4	PANEL SETS	
#2a	GLASS ASSY.....	80000212		PARK AVE. HERRINGBONE 2.....	22200027
#3	FRAMING KIT.....			MT.VERNON RED BRICK 2.....	22200026
				MANHATTAN STACKED BRICK 2.....	22200024
				MADISON.....	22200023
				BLACK PORCELAIN.....	22200021
				CB BROWN PORCELAIN.....	22200019
				TITANIUM.....	22200022
				COPPER.....	22200020

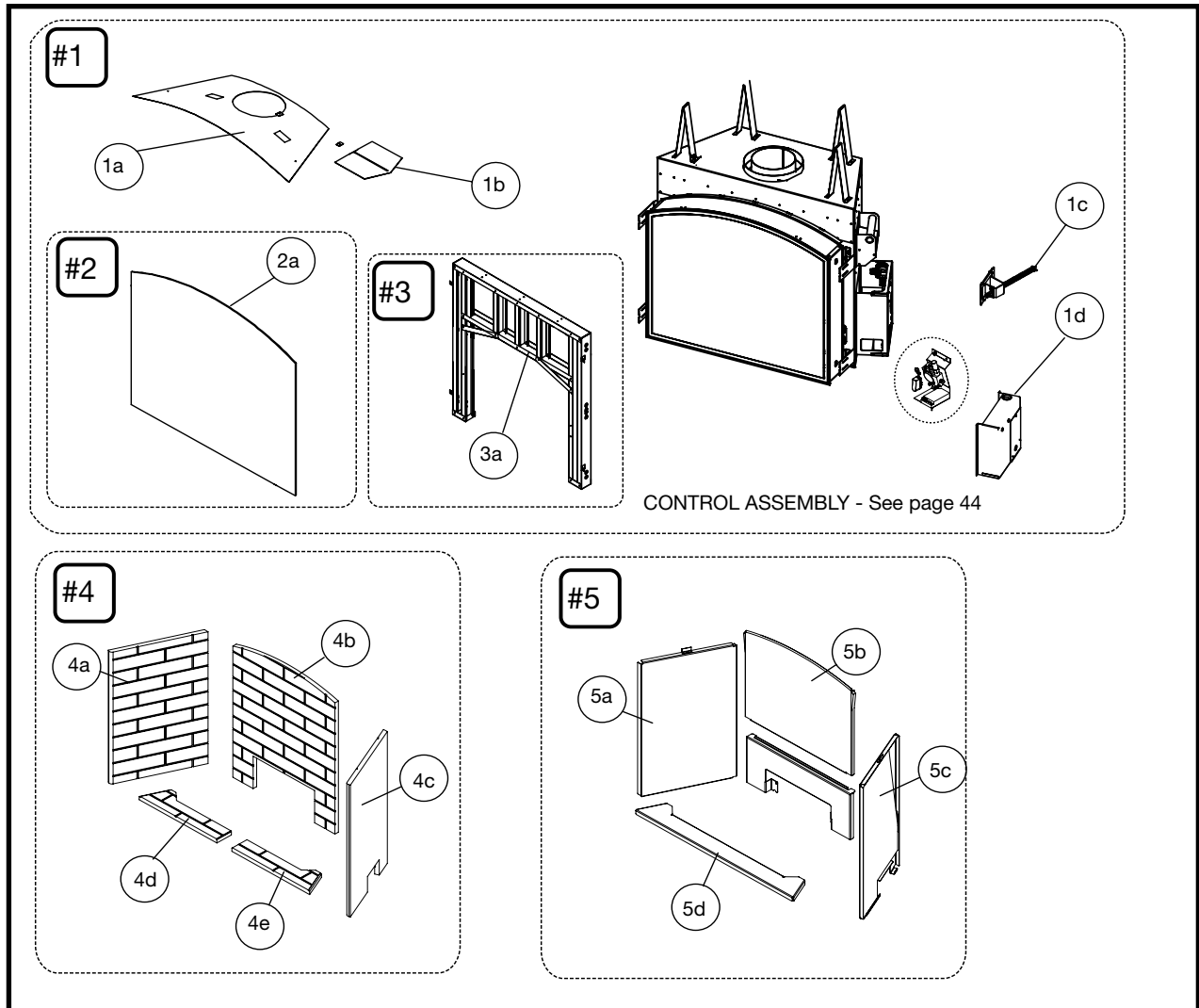


Figure 79: TC36 D Arched parts.

KIT CONTENTS:

#1 TC36 ARCH BODY ASSEMBLY

- 1a FIREBOX SHIELD (c/w insulation)
- 1b FLUE DAMPER
- 1c SPRING LATCH ASSEMBLY(2)
- 1d CONTROL ASSEMBLY HOLDER
- BRICK PANEL RETAINER (not shown)
- 1e LIGHT ASSEMBLY(not shown)

#2 GLASS ASSEMBLY

- 2a REPLACEMENT GLASS (c/w gasket)

#3 FRAMING KIT

- 3a STEEL STUDS

#4 FIBER PANEL SETS

- 4a PANEL, LEFT SIDE
- 4b PANEL, REAR
- 4c PANEL, RIGHT SIDE
- 4d PANEL, LEFT BASE
- 4e PANEL, RIGHT BASE

#5 PORCELAIN PANEL SETS

- 5a PANEL, LEFT SIDE
- 5b PANEL, UPPER/LOWER REAR
- 5c PANEL, RIGHT SIDE
- 5d PANEL, LEFT /RIGHT BASE

Parts Diagram – Valve Control System

(WHEN ORDERING, INCLUDE PART NUMBER WITH DESCRIPTION)

ITEM	DESCRIPTION	PART NO.	ITEM	DESCRIPTION	PART NO.
#1	CONTROL ASSEMBLY KIT	80001260	#5	WALL SWITCH ASSEMBLY KIT.....	80000498
#2	BULKHEAD ASSEMBLY KIT	80000495	#6	Remote WiFi version(0.584.080).....	80002873
#3	COMMUNICATION CABLE KIT	80001707	#7	Halogen Light Assembly	80000556
#4	TEST FITTING	80001624		Halogen Light Bulb 20W	80002650

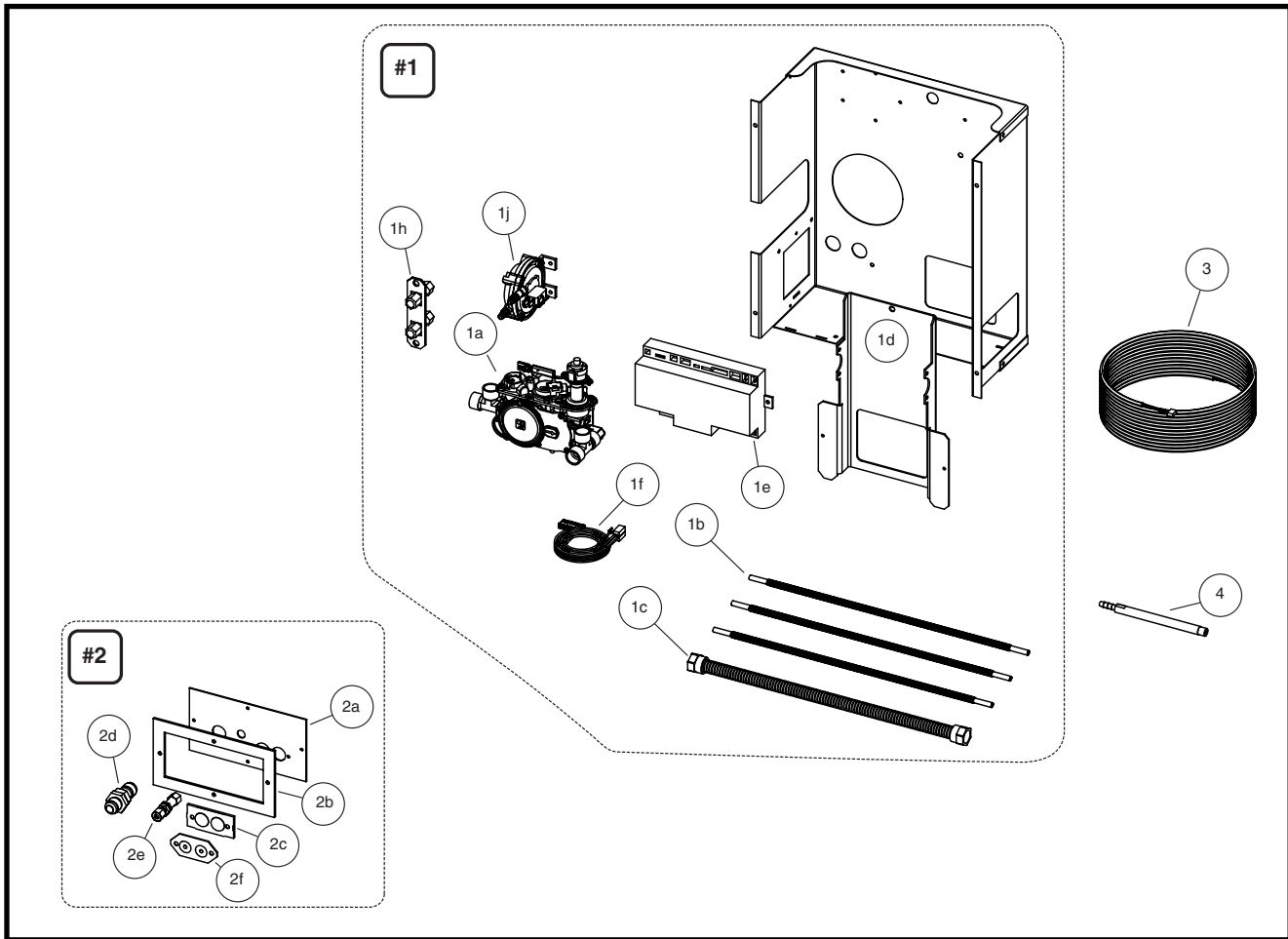


Figure 80: TC D Control assembly.

KIT CONTENTS:

#1 CONTROL ASSEMBLY KIT

- 1a VALVE c/w FITTINGS(80000517)
- 1b 1/4" FLEX TUBE(80001625)
- 1c 1/2" FLEX TUBE(80001888)
- 1d CONTROL MOUNTING BRACKET
- 1e MODULE(80002296)
- 1f WIRING HARNESS
- 1h PRESSURE TEST PORT (80002086)
- 1j PRESSURE SWITCH (80001221)

#2 BULKHEAD ASSEMBLY KIT

- 2a INLET PLATE
- 2b INLET PLATE GASKET
- 2c ELEC BULKHEAD GASKET
- 2d 1/2" BULKHEAD FITTING
- 2e 1/4" BULKHEAD FITTING
- 2f ELEC BULKHEAD FITTING

#3

COMMUNICATION CABLE KIT

#4

TEST FITTING

Wiring Diagram

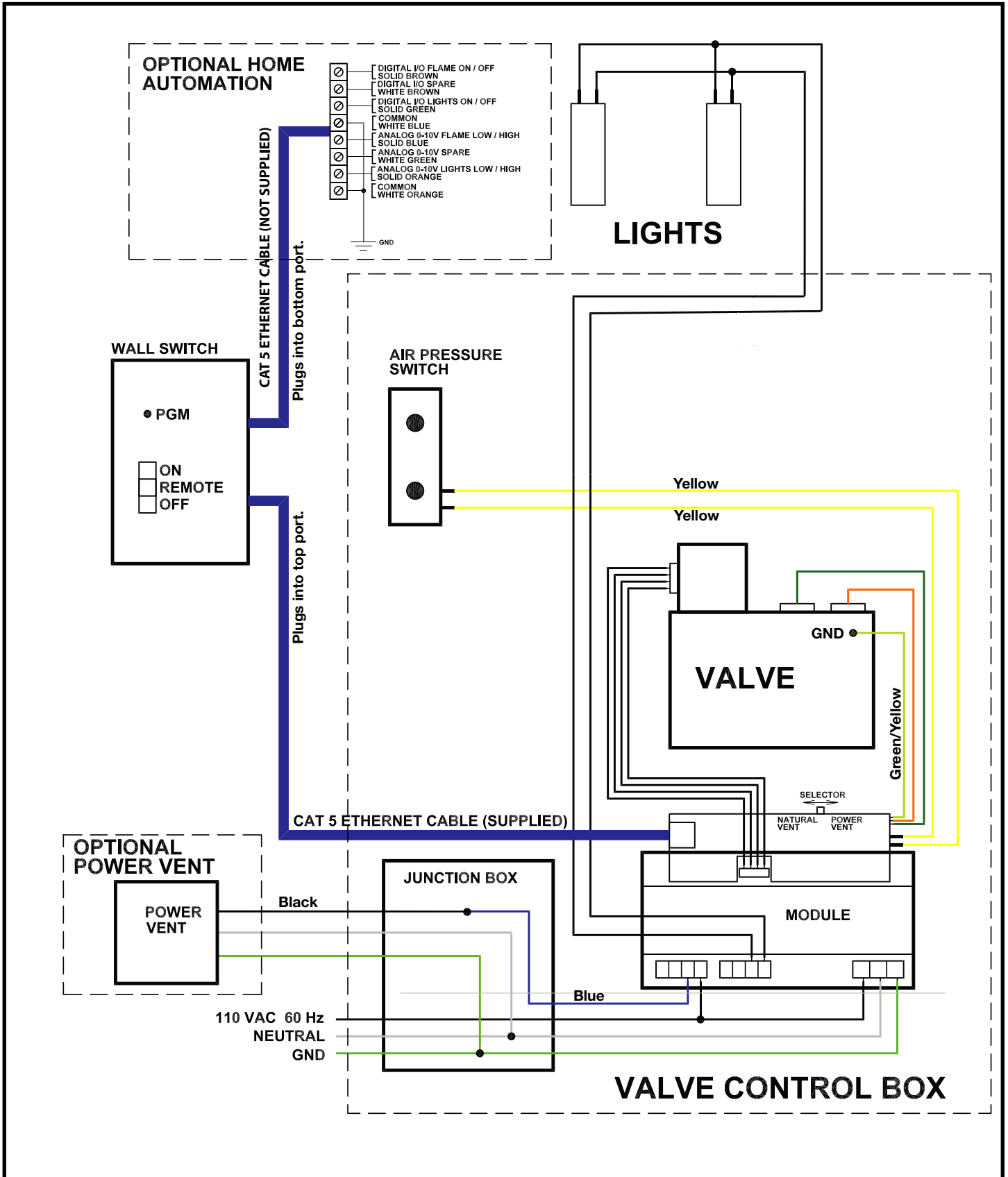


Figure 81: TC 36D Wiring diagram.

Rating Label

NOTE: The Rating Label is located on a plate found in a slot between the left hand side lintel and the left hand side door frame. This plate is attached to the lintel with a cable.



TOWN & COUNTRY
FIREPLACES™

MODEL/
MODELE: ■ TC36
■ TC36AR

SERIES/
SERIE: D

MADE IN CANADA
FABRIQUE AU CANADA

VENTED GAS FIREPLACE - NOT FOR USE WITH SOLID FUEL FOYER AU GAZ À ÉVACUATION - NE PAS UTILISER AVEC DU COMBUSTIBLE SOLIDE

This is a decorative product and is not intended to be used as a heating appliance.

ANSI Z21.50-2019 / CSA 2.22-2019 Vented Gas Fireplaces
CAN/CGA 2.17-M91 Gas-Fired Appliance For Use At High Altitudes.

Certified for / Certifié pour Canada and U.S.A.

This Appliance is Equipped For Use With /
Cet Appareil est Équipé Pour Utiliser Avec :

NATURAL GAS ■ LP-GAS ■
GAZ NATUREL ■ LP GAZ ■

FOR USE WITH/ EN CASE D'EMPLOI AVEC:	NATURAL GAS/ DU GAZ NATUREL	LP GAS/ DU GAZ LP
Minimum supply pressure / Pression minimum d'alimentation: (For the purpose of input adjustment / dans le but de régler l'alimentation) Maximum supply pressure / Pression maximum d'alimentation:	5.0 in/wc / 5.0 po/c.e. (1.25 kPa) 13.9 in/wc / 13.9 po/c.e. (3.45 kPa)	12.5 in/wc / 12.5 po/c.e. (3.11 kPa) 13.9 in/wc / 13.9 po/c.e. (3.45 kPa)
Manifold pressure / Pression de la tuyauterie: Maximum	3.5 in/wc / 3.5 po/c.e. (0.87 kPa)	10.0 in/wc / 10.0 po/c.e. (2.49 kPa)
Orifice Size / Diametre de l'injecteur:	NI	LI
Input BTU/hr (kW) / Entree BTU/h (kW):	Max.: 47,000 (13.8) Min.: 32,000 (9.40)	Max.: 47,000 (13.8) Min.: 38,000 (11.1)

Optional components/ Éléments facultatifs: Powervent Kit/ kit de ventilation mécanique TCVT.PVI.25, TCVT.PV7.110, TCVT.PVCV, TCVT.PVV7.

Blower electrical rating: 115v, 60hz, 1.1 A / Normes électriques du ventilateur: 115v, 60hz, 1.1 A

This appliance equipped for altitudes 0 - 4500 ft. (0 - 1372 m) / Cet unité est conçu pour des altitudes variant entre 0 - 4500 pieds (0 - 1372 m). In Canada, also certified for installation in a bedroom or a bedsitting room / Aussi certifié pour installation dans une chambre à coucher ou une salle de séjour. This appliance must be installed in accordance with local codes, if any; if none, follow the current CAN/CGA-B149 (Canada), or ANSI Z223.1 (USA) Installation Codes. Installer l'appareil selon les codes ou règlements locaux, ou, en l'absence de tels règlements, selon les codes d'installation CAN/CGA-B149 (Canada), or ANSI Z223.1 (USA) en vigueur.

MANUFACTURED (MOBILE) HOME: This appliance is only for use with the type of gas indicated on the rating plate and may be installed in an aftermarket, permanently located, manufactured (mobile) home where not prohibited by local codes. See owners manual for details.

FABRIQUEZ (MOBILE) MAISON: Cet appareil doit être utilisé uniquement avec le type de gaz indiqué sur la plaque signalétique et peut être installé dans une maison préfabriquée (mobile) installée à demeure si les règlements locaux le permettent. Voir la notice du propriétaire pour plus de détails. Cet appareil ne peut être converti à d'autres gaz sauf si une trousse de conversion certifiée est utilisée.

Install in accordance with the current standard Mobile Homes, CAN/CSA Z240 MH (in CANADA), and the Manufacturer's Home Construction and Safety Standard, Title 24 CFR, Part 3280, or the current Standard for Fire Safety Criteria for Manufactured Home Installations, Sites, and Communities ANSI/NFPA 501A, (in the U.S.A.). Cet appareil doit être installé conformément aux exigences de la norme CAN/CSA Z240 MH en vigueur de l'ACNOR, Installations de gaz dans les Constructions Mobiles.

FOR USE WITH THE GLASS AND SCREEN BARRIER CERTIFIED WITH THE APPLIANCE ONLY / POUR UTILISATION UNIQUEMENT AVEC LES PORTES IN VERRE CERTIFIÉES AVEC L'APPAREIL

MINIMUM CLEARANCES TO COMBUSTIBLES / CLAIRANCES MINIMALES AVEC LES COMBUSTIBLE

Left and Right side are determined when facing the front of the appliance. / Les côtés droit et gauche se déterminent en se mettant devant l'appareil et en lui faisant face.

Top, Back and Side Standoffs / Sommet, Arrière et Côté Butée	0 in./ 0 po.	(0 mm)
Sidewall to Appliance / Du mur latéral à l'appareil	4 in./ 4 po.	(102 mm)
Ceiling to Appliance / Plafond à l'appareil	24 in./ 24 po.	(610 mm)
Mantel to Appliance / Du manteau à l'appareil	*9 in./ 9 po.	(229 mm)
Maximum Mantel Extension / Allongement maximum du manteau	*12 in./ 12 po.	(305 mm)
*See Installation Manual for more detail / Voyez des Directive de l'Installation pour plus détails.		
Mantel Supports / Supports du manteau	4 in./ 4 po.	(102 mm)
Vent Pipe / Déchargez le Tuyau	1.75 in./ 1.75 po.	(45 mm)

Pacific Energy
Fireplace Products Ltd.
Duncan, British Columbia,
Canada

P.4.1-15 Efficiency: 26.8%

DATE OF MANUFACTURE

WARNING: Improper installation, adjustment, alteration, service or maintenance can cause injury or property damage. Refer to the owner's information manual provided with this appliance. For assistance or additional information, consult a qualified installer, service agency or the gas supplier.

AVERTISSEMENT: Une installation, un réglage, une modification, une réparation ou un entretien mal effectué peut causer des dommages matériels ou des blessures. Voir la notice de l'utilisateur qui accompagne l'appareil. Pour de l'aide ou des renseignements supplémentaires, consultez un installateur, un technicien agréé ou le fournisseur de gaz.

160724

100001666-50

1-TC36-D2

© 2024 Copyright Pacific Energy Fireplace Products LTD

Reproduction, adaptation, or translation
without prior written permission is prohibited,
except as allowed under the copyright laws.



TOWN & COUNTRY
L U X U R Y F I R E P L A C E S

For technical support, please contact your retailer.

**Web site: www.townandcountryfireplaces.com
2975 Allenby Rd., Duncan, BC V9L 6V8**