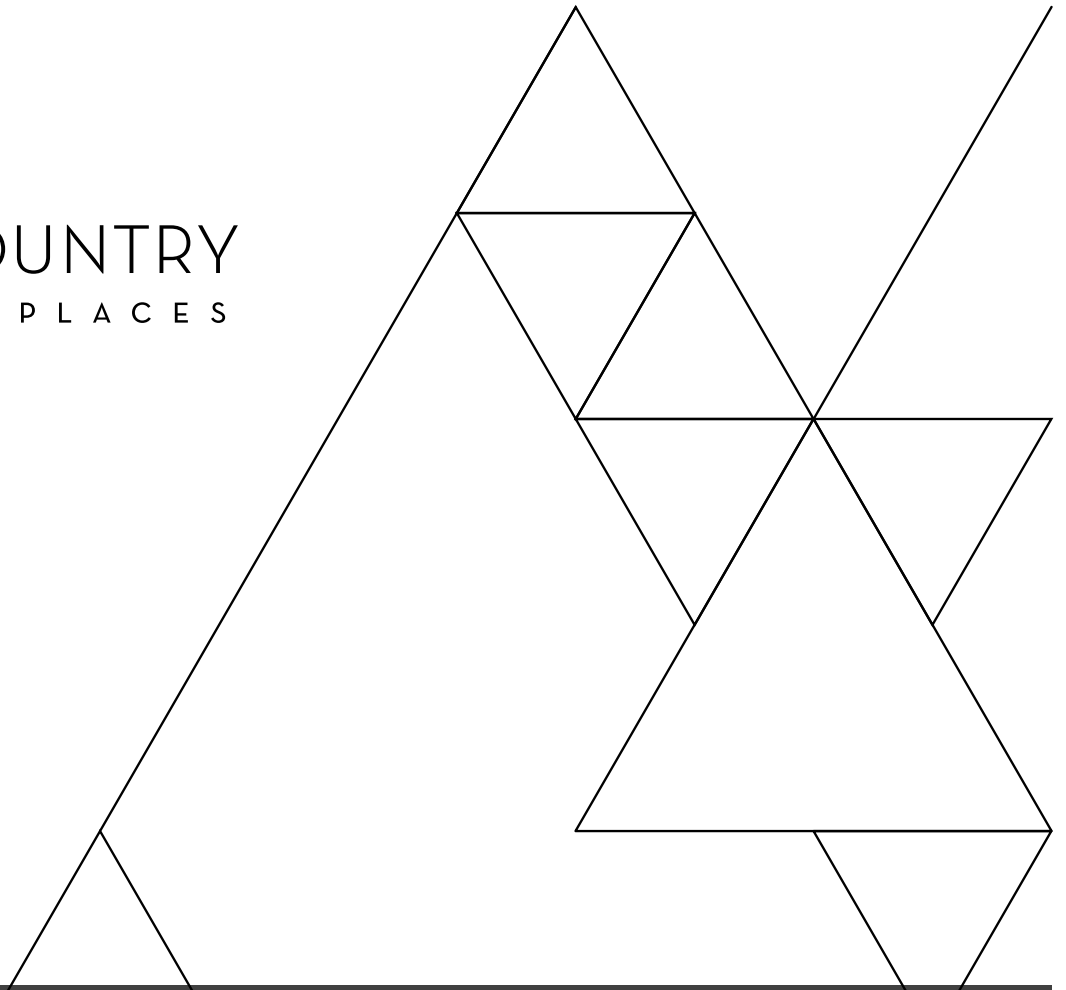




TOWN & COUNTRY
LUXURY FIREPLACES



FOR ARCHITECTS & DESIGNERS

TC54

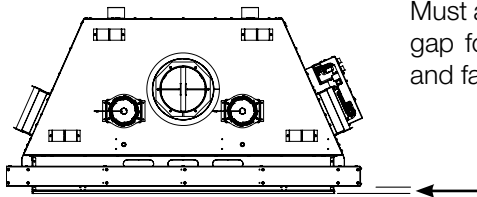
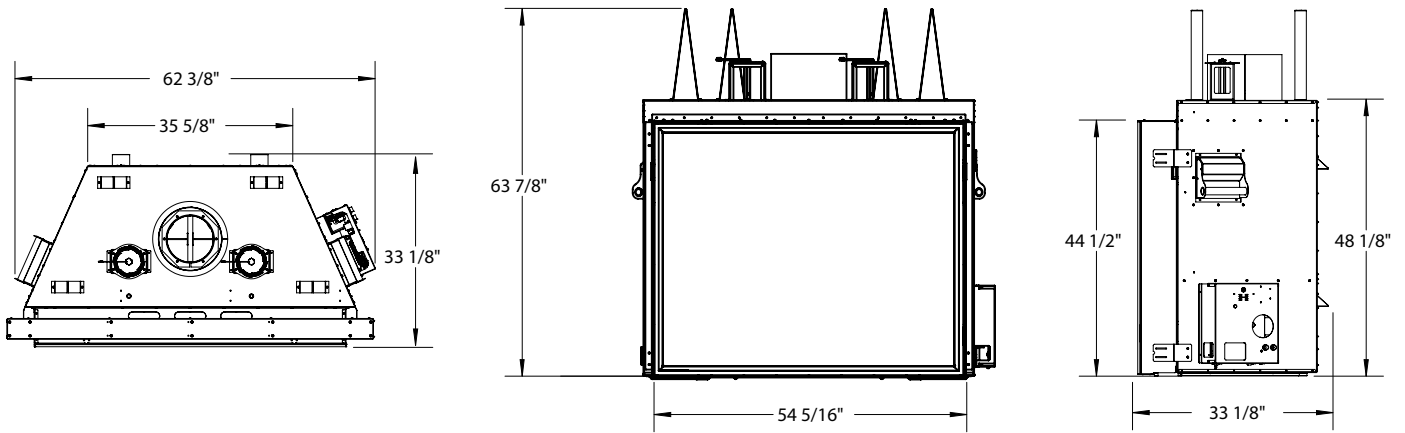
SERIES D

Dimensions | Clearances | Venting

IMPORTANT

This booklet is intended as a basic specification guide for architects, designers and builders. Please refer to the Instruction Manual supplied with the fireplace for detailed information regarding installation and operation.

Product installation manuals can also be viewed at:
www.townandcountryfireplaces.com



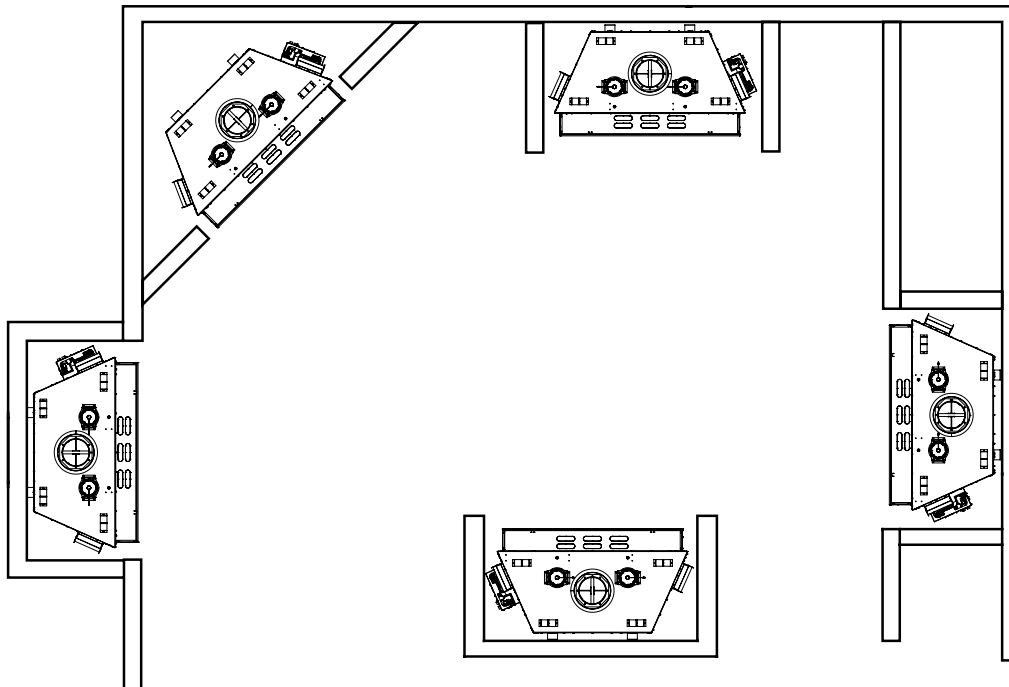
Must allow for minimum 1/2 inch gap for non-combustible board and facing



TC54D Cad Drawing
Available at
www.townandcountryfireplaces.com

Examples of Common Locations

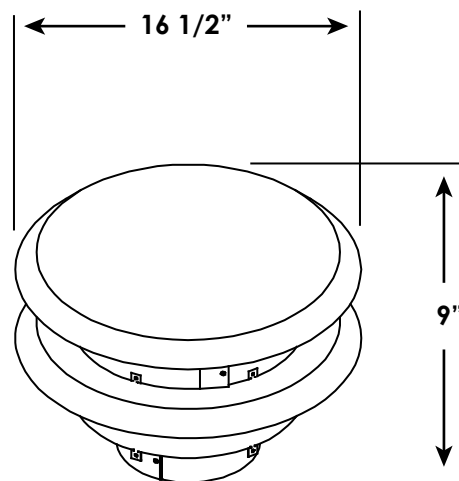
See "Minimum Combustible Framing Dimensions" section on page 6 for precise framing dimensions.



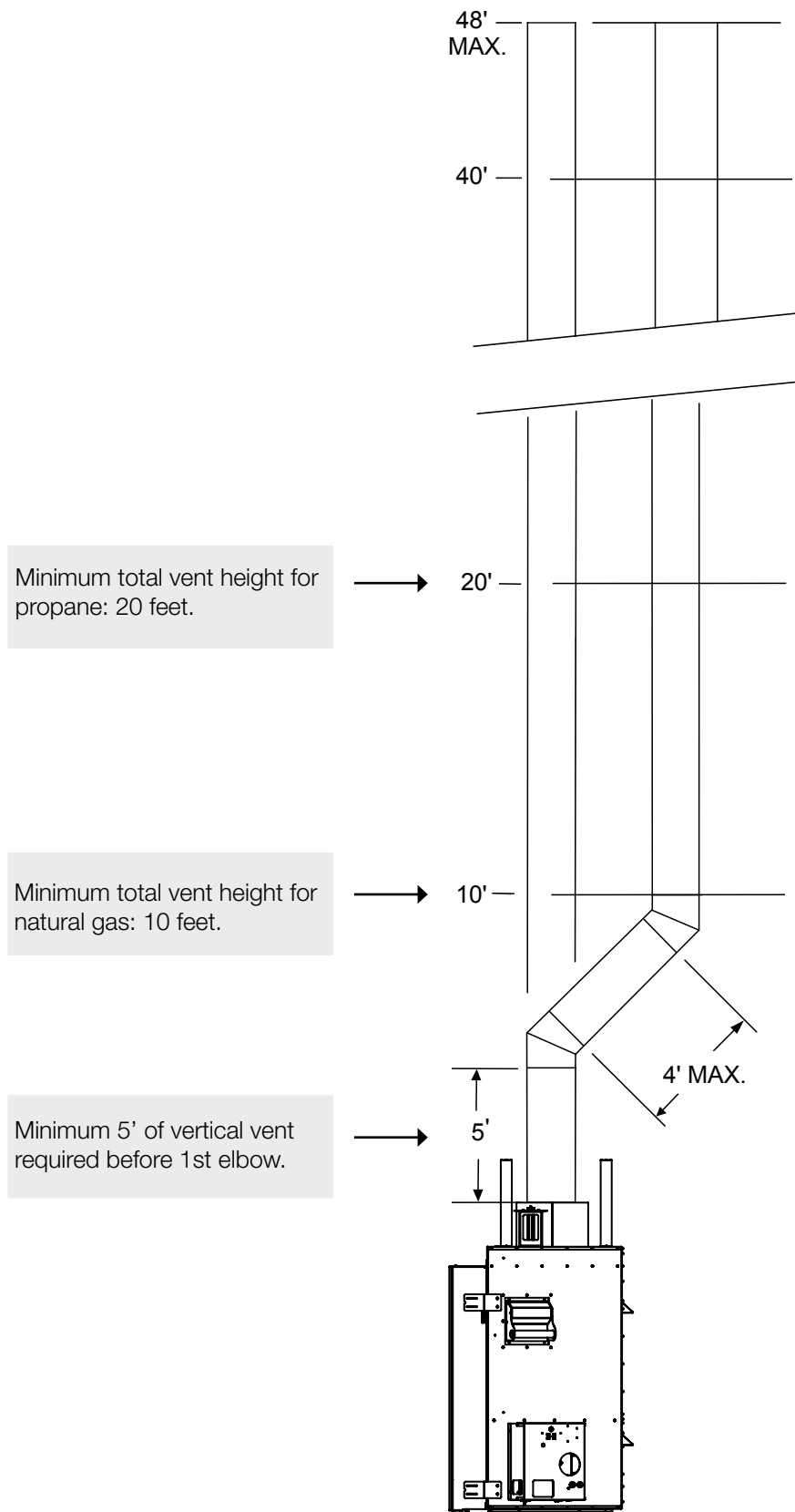
FOR REFERENCE ONLY. CONSULT MANUAL BEFORE INSTALLATION

NOTE: A vertically vented TC54 cannot be power-vented.

Vertical termination cap dimensions



Termination cap shown without vertical vent pipe. For vent terminal minimum clearances, see **Roof Pitch Table** and **Vent Terminal Minimum Clearances Table** - both on page 8.

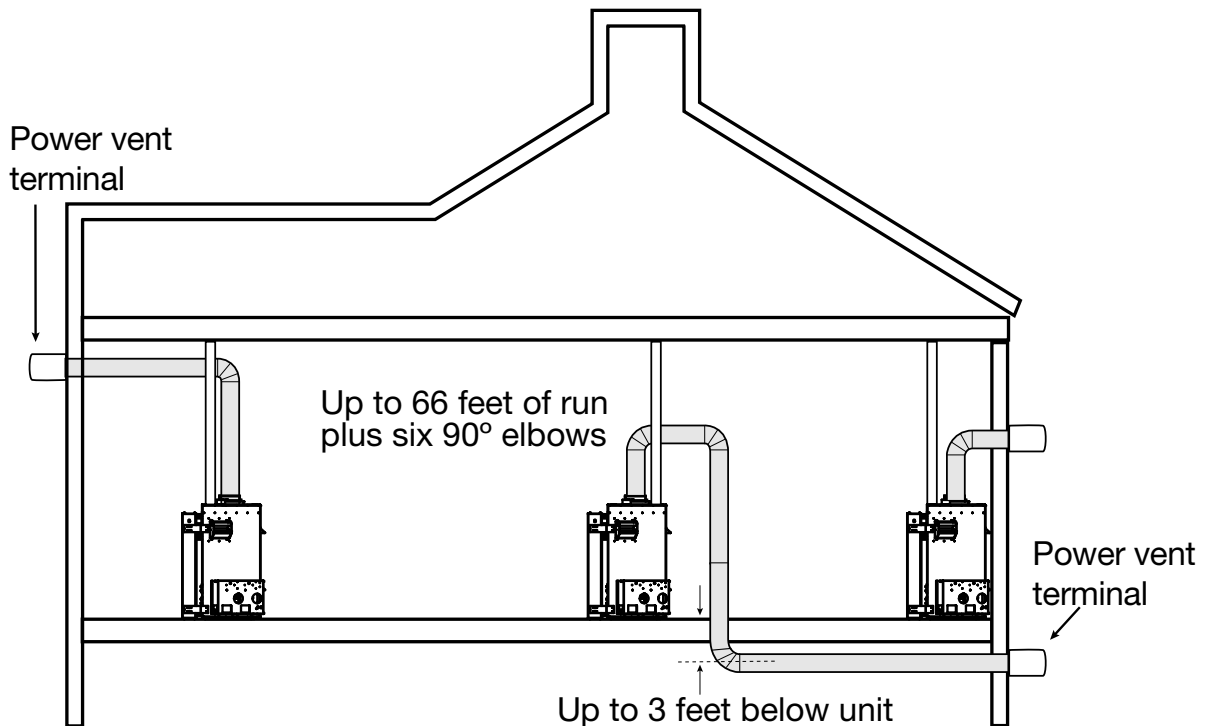
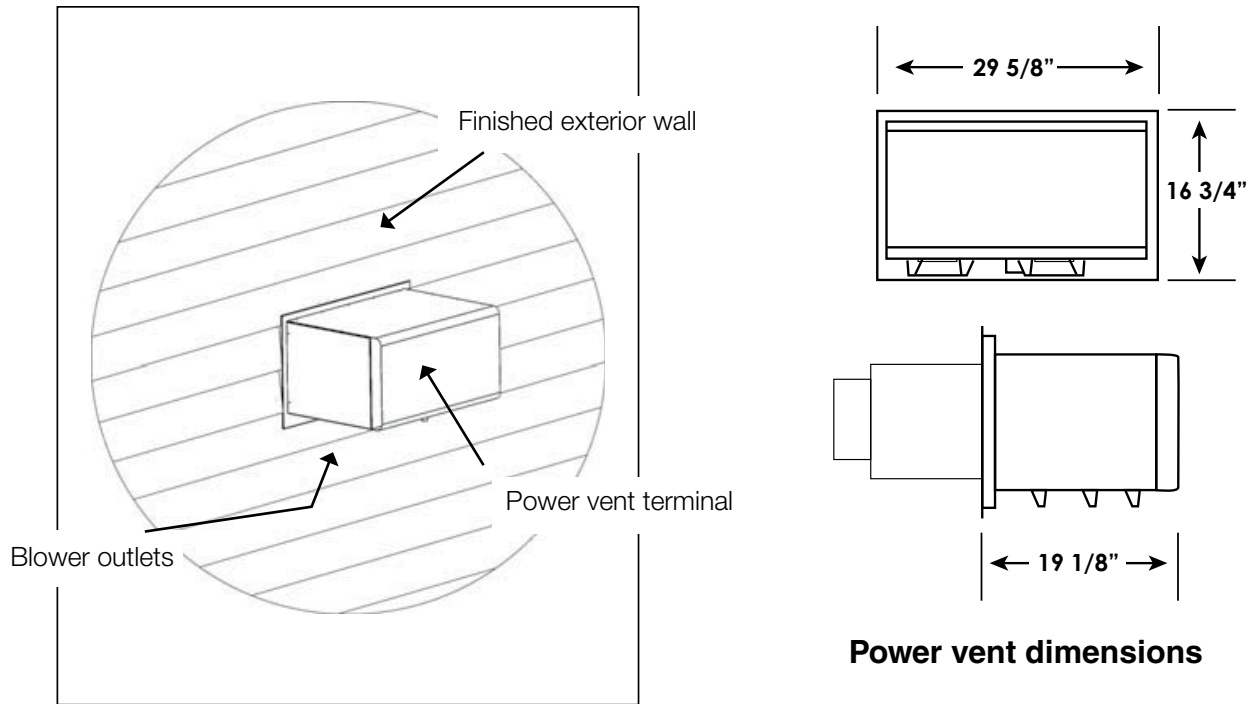


Minimum total vent height for propane: 20 feet.

Minimum total vent height for natural gas: 10 feet.


Minimum 5' of vertical vent required before 1st elbow.

This unit can be vented horizontally (wall termination) **ONLY** with an approved High Capacity Power Vent Kit (TCVT.PVAX2) using TC 8x11 Vent Pipe.



Maximum vent length is 66 ft plus six 90 degree elbow or combination of other elbows equaling 90 degrees.
 Minimum vent length is 10 ft plus one 90 degree elbow.
 The vent can be installed with any combination of rise and run between the above figures including 3ft below the unit.
 Ensure vent pipe is properly supported.

The premium Power Vent fan runs quietly outside, at the exterior terminal.



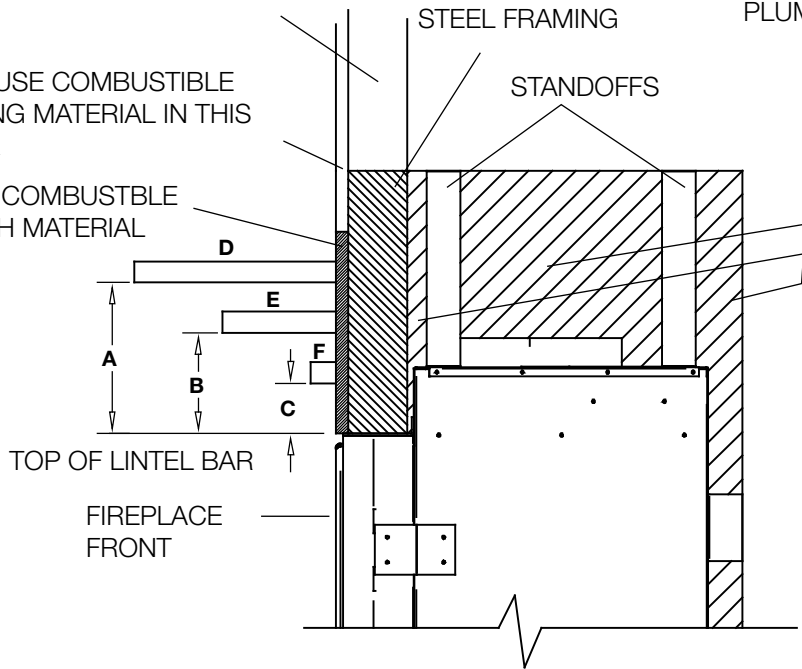
TC54D Cad Drawing
 Available at
www.townandcountryfireplaces.com

FOR REFERENCE ONLY. CONSULT MANUAL BEFORE INSTALLATION

COMBUSTIBLE FRAMING AND FINISH WALL ABOVE STANDOFFS

MAY USE COMBUSTIBLE FACING MATERIAL IN THIS AREA

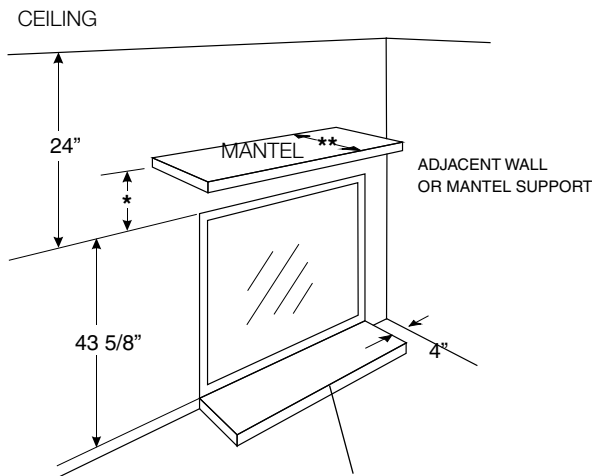
NON-COMBUSTIBLE FINISH MATERIAL



NON-COMBUSTIBLE ZONE.
DO NOT INSTALL ANY COMBUSTIBLE MATERIAL, ELECTRICAL WIRING OR GAS PLUMBING IN THIS AREA.

MANTEL CLEARANCE CHART	
* MANTEL CLEARANCE	
A	17"
B	15"
C	12"
** MANTEL DEPTH	
D	12"
E	6"
F	1"

Minimum Clearances to Combustibles



Minimum Clearances:

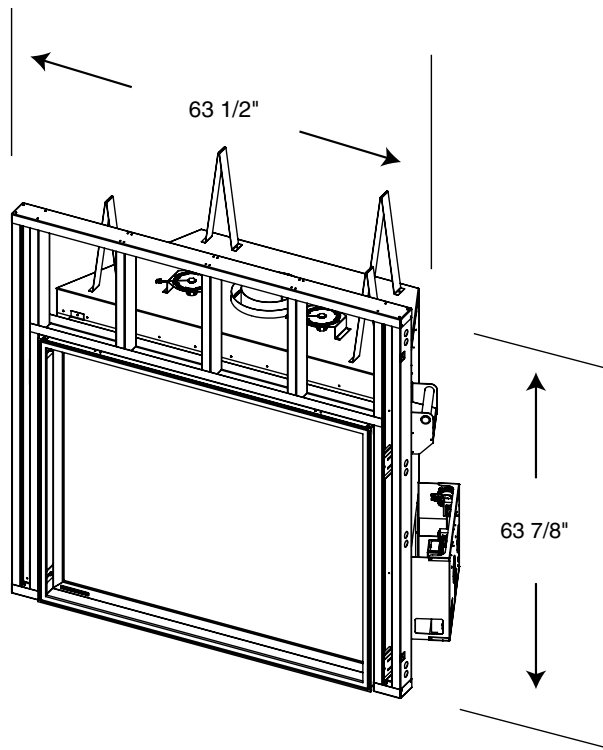
Side standoffs	0 in. (0 mm)
Back standoffs	0 in. (0 mm)
Top standoffs.....	0 in. (0 mm)
Bottom of appliance	0 in. (0 mm)
Adjacent side wall.....	4 in. (102 mm)
Ceiling to appliance	24 in. (610 mm)
*Mantel to appliance.....	See mantel clearance chart above
**Maximum Mantel extension.....	See mantel clearance chart above
Mantel support	4 in. (102 mm)
Vertical vent pipe	1 3/4" in.(45 mm)
Horizontal Vent pipe (Top, sides and bottom)	1 3/4" in.(45 mm)

AN 18" DEEP, 2" THICK, NON-COMBUSTIBLE HEARTH MUST BE PLACED IN FRONT OF THE FULL WIDTH OF THE GLASS. See Page 7

Unit may be recessed up to 4 1/2" with non-combustible masonry type material

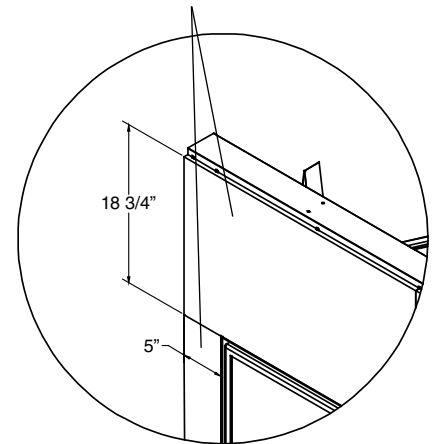
Framing kit is supplied with Fireplace

All other framing can be done with conventional lumber



Non-combustible Board Detail

NON-COMBUSTIBLE BOARD

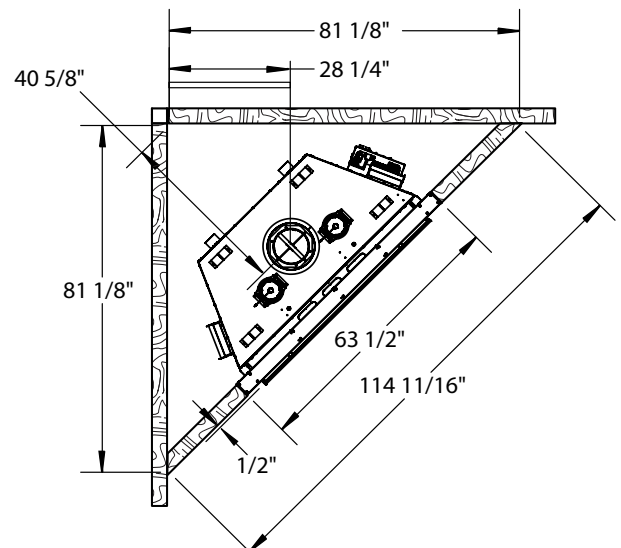
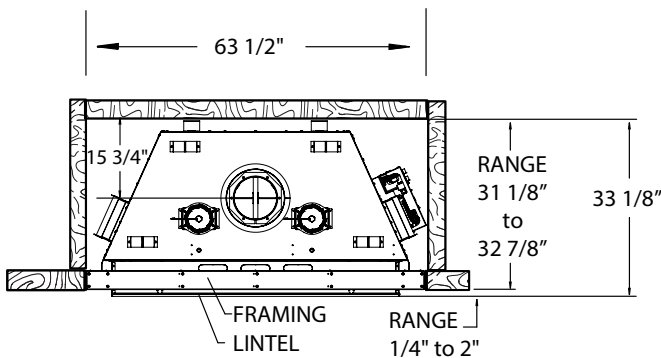


NON-COMBUSTIBLE materials must extend a minimum of 18 3/4" above and 5" to the sides of the framing edges.

NON-COMBUSTIBLE board not included.

Minimum Combustible Framing Dimensions

NOTE: Fireplace should be in its final location before framing.



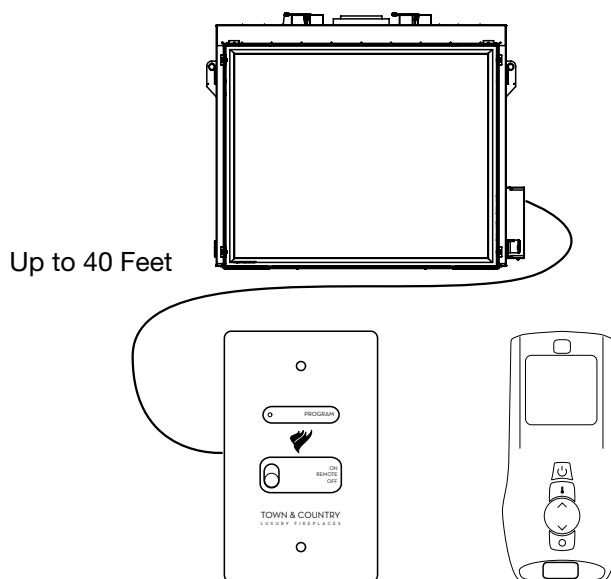
FOR REFERENCE ONLY. CONSULT MANUAL BEFORE INSTALLATION

Proflame 2 Control System

Town and Country D Series fireplaces use the SIT Proflame 2 control system.

This includes an elegant hand-held remote control transmitter with an easy to read LCD display.

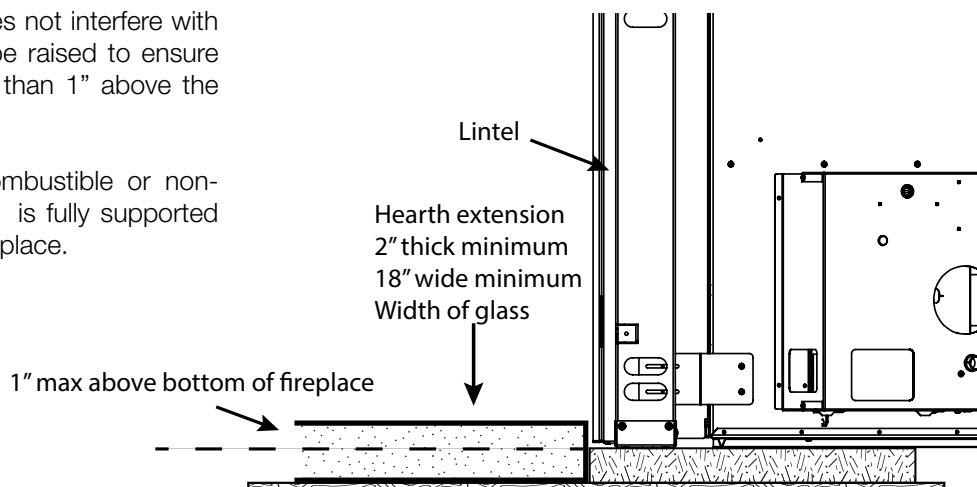
The fireplace also comes with a wall-mounted control switch which allows for simple ON/OFF operation, or can be linked with the hand-held remote control unit. This switch has a battery powered back-up system which allows operation during power outages. The wall-mounted switch easily connects to any customer supplied Home Automation System.



Hearth Extension

Caution: A minimum 2" thick non-combustible hearth extension extending 18" in front of this fireplace must be fitted if a combustible sub floor extends in front of the fireplace. To ensure that the hearth does not interfere with the safety screen, the fireplace must be raised to ensure that the hearth extension is no more than 1" above the bottom of the fireplace.

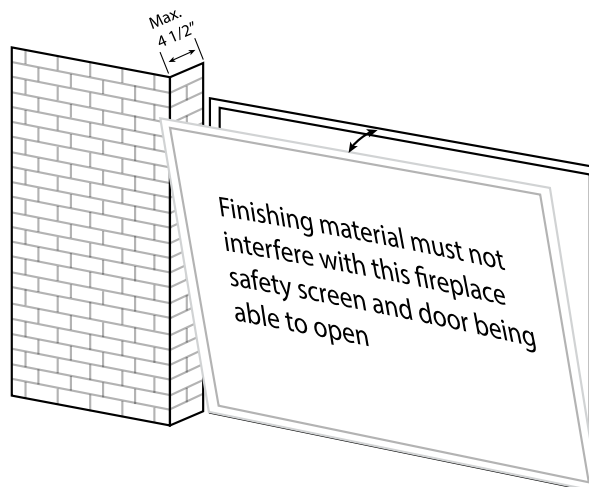
The fireplace can be raised using combustible or non-combustible materials ensuring that it is fully supported along the full width and depth of the fireplace.



Recessed Installation

This fireplace may be recessed up to a maximum depth of 4 1/2". This recess must be constructed from non-combustible material.

Finishing material must not protrude past framing flanges under ANY circumstance. The safety screen and the window, with trim fitted, must be able to move freely.

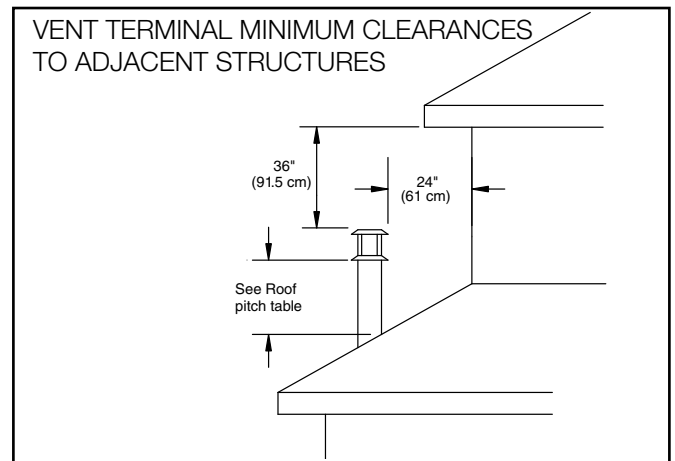


FOR REFERENCE ONLY. CONSULT MANUAL BEFORE INSTALLATION

Minimum clearances to the vent terminal must be maintained as shown (See illustration to right & below). Measure clearances to the nearest edge of termination hood. (See pitch table below).

NOTE: Vent terminal must not be recessed

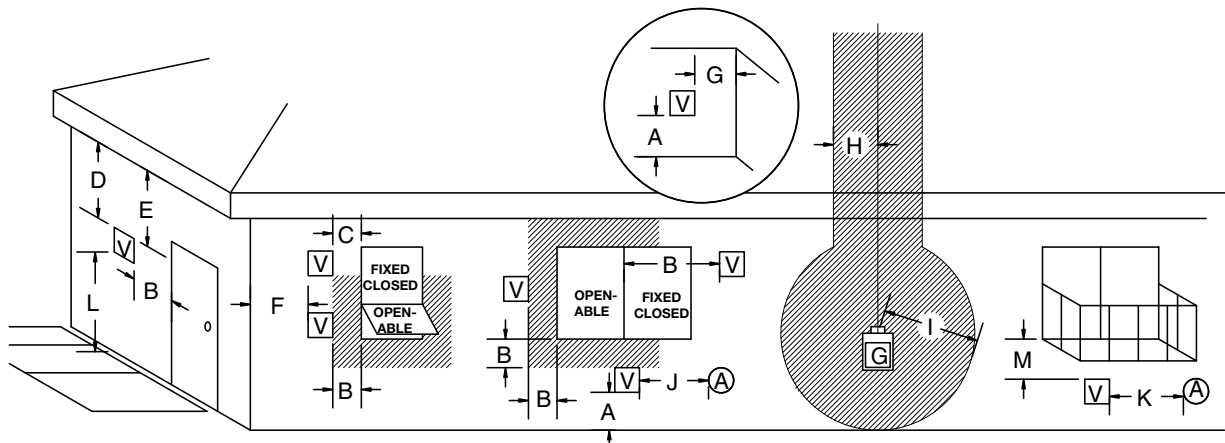
NOTE: LOCAL CODES OR REGULATIONS MAY REQUIRE DIFFERENT CLEARANCES.



Terminal to sloped Roof Pitch Table

	(minimum)	
	ft	m
Flat to 6/12	1.00	0.30
Over 6/12 to 7/12	1.25	0.38
Over 7/12 to 8/12	1.50	0.46
Over 8/12 to 9/12	2.00	0.61
Over 9/12 to 10/12	2.50	0.76
Over 10/12 to 11/12	3.25	0.99
Over 11/12 to 12/12	4.00	1.22

Direct Vent Terminal Minimum Clearances



Vent Terminal Minimum Clearances Table

V VENT TERMINAL
 A AIR SUPPLY INLET
 AREA WHERE TERMINAL IS NOT PERMITTED
 G GAS METER

A=	*12 inches (30 cm) min.	Clearances above grade, veranda, porch, deck, or balcony
B=	*12 inches (30 cm) min.	Clearance to window or door that may be opened
C=	12 inches (30 cm) min.	Clearance to permanently closed window recommended to prevent condensation on window
D=	30 inches (76 cm) min.	Vertical clearance to ventilated soffit located above the terminal within a horizontal distance of 2 feet (60 cm) from the edge of the terminal
E=	30 inches (76 cm) min.	Clearance to unventilated soffit
F=	6 inches (15 cm) min.	Clearance to outside corner
G=	6 inches (15 cm) min.	Clearance to inside corner
H=	3 feet (90 cm) min.	*Not to be installed above a meter/regulator assembly within 3 feet (90 cm) horizontally from the center-line of the regulator
I=	*6 feet (1.8 m) min.	Clearance to service regulator vent outlet
J=	*12 inches (30 cm) min.	Clearance to non mechanical air supply inlet to building or the combustion air inlet to any other appliance
K=	*6 feet (1.8 m) min.	Clearance to a mechanical air supply inlet
L=	*7 feet (2.1 m) min.	^ Clearance above paved side-walk or a paved driveway located on public property
M=	**30 inches (76 cm) min	Clearance under veranda, porch, deck, or balcony

^ a vent shall not terminate directly above a side-walk or paved driveway which is located between two single family dwellings and serves both dwellings*

** only permitted if veranda, porch, deck, or balcony is fully open on a minimum of 2 sides beneath the floor*

* as specified in CAN/CSA B149.1 Installation Codes, Note: local Codes or Regulation may require different clearances

* for U.S.A. Installations follow the current National Fuel Gas Code, NFPA54/ANSI Z223.1

FOR REFERENCE ONLY. CONSULT MANUAL BEFORE INSTALLATION

© 2017 Copyright Pacific Energy Fireplace Products LTD

Reproduction, adaptation, or translation
without prior written permission is prohibited,
except as allowed under the copyright laws.



TOWN & COUNTRY
L U X U R Y F I R E P L A C E S

For personal service pertaining to specific projects, contact:
Town & Country Architect Resource Planner
architects@townandcountryfireplaces.com
www.townandcountryfireplaces.com
Phone: (250) 748-1184
2975 Allenby Road, Duncan, BC Canada V9L 6V8