



TOWN & COUNTRY LUXURY FIREPLACES

IT'S ALL ABOUT THE FLAME

We design our fireplaces to excel in every aspect - appearance, performance and durability - but the flame is where the magic happens. As you'll see in the following pages, we offer an incredible line of quality fireplaces. And they all come standard with the exquisite flame that sets Town & Country Luxury Fireplaces apart.



#ITSALLABOUTTHEFLAME

About Town & Country	3
Design-a-fire	5
Innovative Features	6
Construction	8
Safety	9
Home Automation	10
Accent Lighting	11
Product Overview	12

Models

TC54	14
TC42	16
TC36	18
TC36 Arch	20
TC36 See-Thru	22
TC30	24
WS54	26
WS54 See-Thru	28
WS38	30
WS54 Outdoor	32
TC42 Outdoor	34
TC36 Outdoor	36
WS54 Indoor-Outdoor See-Thru	38
HeliFire 360	40

Town & Country Burners	42
Town & Country Widescreen Burners	44
Widescreen Surrounds	44
Town & Country Firebox Panels	46

Technologies

Installation	48
Venting	48

Technical Information

Appliance dimensions and minimum combustibile framing dimensions	50
Minimum mantel clearances	54
Information and Resources	55



TOWN & COUNTRY

A FOCAL POINT OF LUXURY FOR THE FINEST HOMES

Town & Country fireplaces transform living spaces. And while the visual impact of a Town & Country fireplace is unmatched, so is the premium quality of the design, materials, and construction – from the solid, yet sleek and contemporary exterior features to the many interior innovations you can't see. The finest craftsmanship and materials go into every fireplace, and with our unique, customizable Design-A-Fire system, you can create the perfect fireplace for your space – indoor or outdoor – with hundreds of distinctive combinations.



DESIGN-A-FIRE

LET YOUR IMAGINATION GO

As an integral design element, a fireplace should be as impressive as every fine decor detail of its surrounding home. With more unique combinations than you can possibly imagine, our Design-A-Fire system allows architects and interior designers the creativity to tailor all the details of a Town & Country fireplace to perfectly suit your space, whether it's a grand room or a bedroom. Think of it as a blank palette that can be designed into a gorgeous architectural feature with a variety of aesthetic choices - from the size and shape of the firebox to the burner style and much more. Additionally, the ability to modify it goes beyond the initial installation. You have the flexibility to create a fresh new look with a change in firebox panels or burners.



8 FIREBOX SIZES



11 BURNER STYLES



8 FIREBOX PANELS



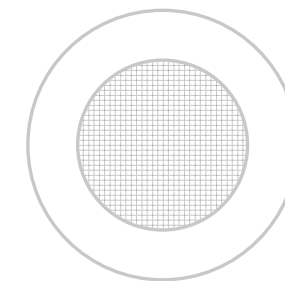
INNOVATIVE FEATURES CUTTING-EDGE QUALITY, BEAUTIFUL DESIGN

Fire is a simple, primal element, but Town & Country luxury fireplaces offer many contemporary innovations to control and enjoy it's warmth and beauty within your living space.



QUALITY – BUILT TO LAST AND PERFORM

Town & Country's luxury fireplaces are individually handcrafted. To eliminate any distracting noises, our fireboxes are continuous-seam welded, and are substantially heavier than those produced by our competitors. The result is quieter, safer operation, and more durable performance.



THE FINEST SAFETY SCREENS

Our built-in safety screens are nearly invisible and offer reliable protection for young children, without compromising the aesthetics of your fireplace.



SEAMLESSLY INTEGRATES INTO HOME AUTOMATION SYSTEMS

Smart Home compatibility conveniently allows you to control the many functions of your fireplace while at home, as well as remotely via a smartphone app.



POWER VENTING GIVES YOU MORE OPTIONS

As well as being able to naturally vent most of our fireplaces, our industry-leading power venting system allows you the freedom to locate a fireplace up to 110 feet of run from an outside wall. The sleek Power Vent Wall Termination mounts flush to an exterior wall and can be painted to match your home's existing color, so it's unobtrusive.



PROUDLY CRAFTED IN NORTH AMERICA SINCE 2003.



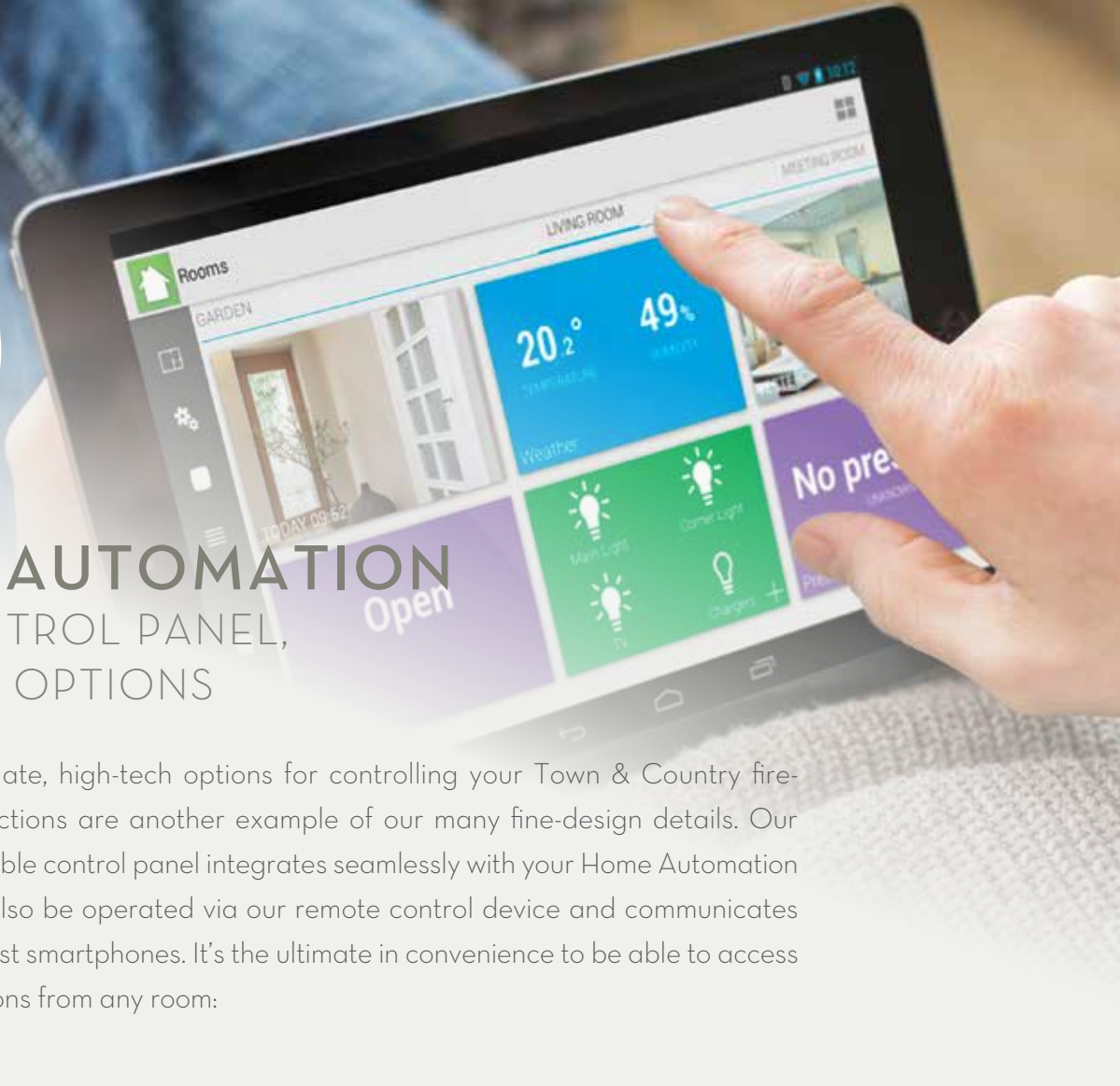
PRECISION ENGINEERING

When it's your home, only the finest quality materials matter, even if it costs a little more. That's why Town & Country luxury fireplaces are individually handcrafted. To eliminate any distracting noises, our fireboxes are continuous-seam welded, and are substantially heavier than those produced by our competitors. The result is quieter, safer operation, and more durable performance because we know quality and performance, not price, matter most.



SAFETY FIRST PREMIUM SAFETY SCREEN

Town & Country's built-in premium Safety Screen is at the industry forefront. Our transparent, stainless steel micromesh is nearly invisible, yet provides a strong protective barrier from accidental burns.



HOME AUTOMATION

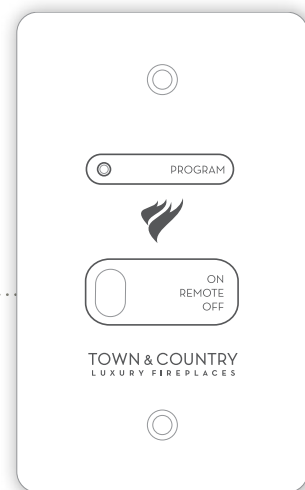
ONE CONTROL PANEL,
MULTIPLE OPTIONS

The most up-to-date, high-tech options for controlling your Town & Country fireplace's many functions are another example of our many fine-design details. Our sleek, programmable control panel integrates seamlessly with your Home Automation system and can also be operated via our remote control device and communicates wirelessly with most smartphones. It's the ultimate in convenience to be able to access all of these functions from any room:

- Flame On/Off
- Flame Level
- Light On/Off
- Light Level
- Remote Control Lock-Out



REMOTE CONTROL



SMARTPHONE APP*

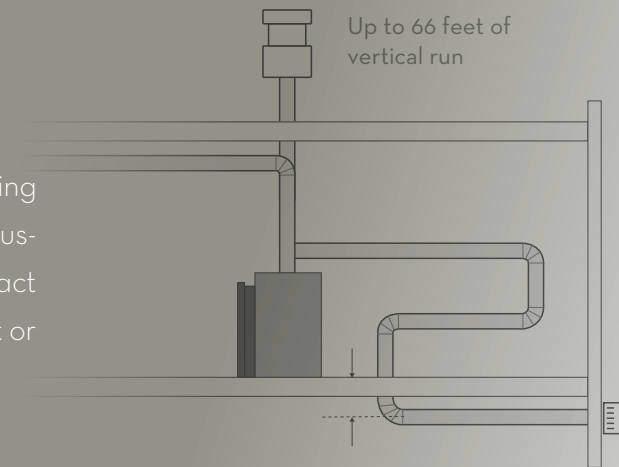
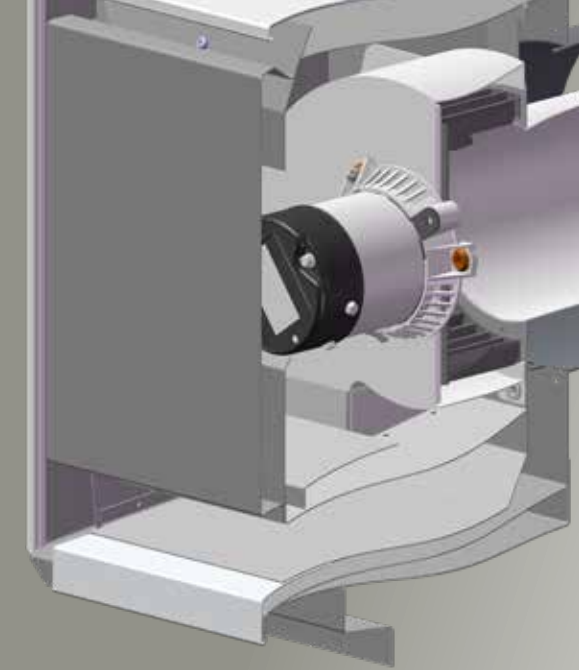
*iOS available now. Android coming soon.



TOWN & COUNTRY POWERVENT

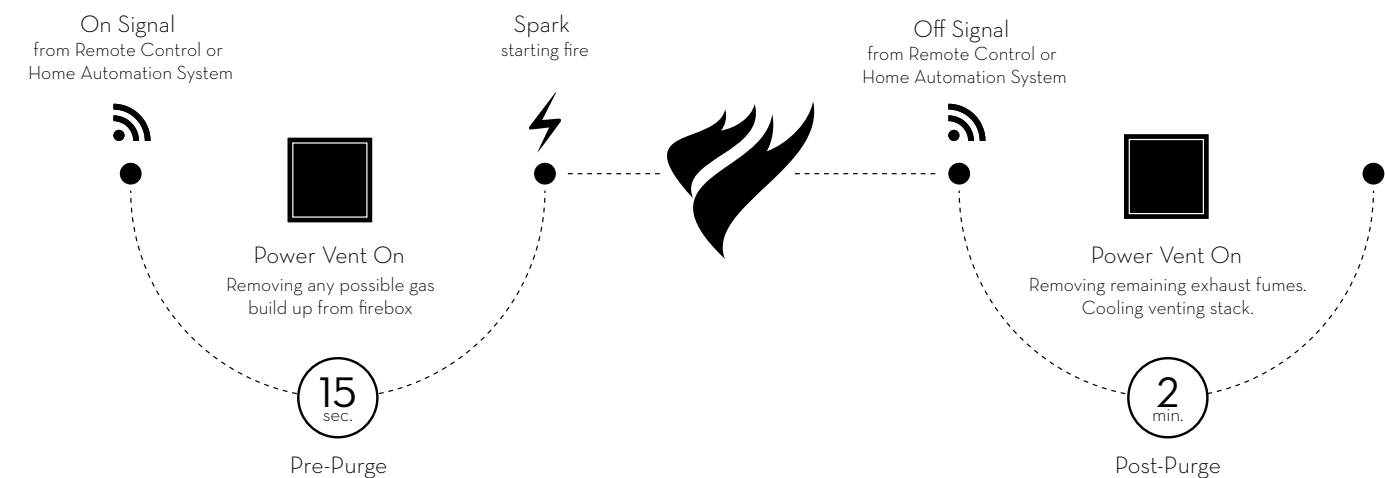
VENT ABOVE OR BELOW GRADE

All Town & Country gas fireplaces are direct vented, meaning each fireplace is independent of your home, drawing its combustion air and expelling its exhaust to the outdoors, with no impact on your indoor air quality regardless if use a conventional vent or power vent system.



PURGING SAFETY SYSTEM

Our pre- and post-purging system ensures the safe and consistent performance of your fireplace at all times.



THE TOWN & COUNTRY COLLECTION

Town & Country luxury fireplaces are found in the finest homes and premiere hotels and restaurants across North America. With their clean lines, robust flames and vast panorama of the fire they are striking architectural features.

INDOOR



TC54 | 14



TC42 | 16



TC36 | 18



TC36 Arch | 20



TC36 See-Thru | 22



TC30 | 24

INDOOR



WS54 | 26



WS54 See-Thru | 28



WS38 | 30

OUTDOOR



WS54 Outdoor | 32



TC42 Outdoor | 34



TC36 Outdoor | 36

INDOOR/OUTDOOR



WS54 Indoor-Outdoor See-Thru | 38



HELIFIRE 360



HeliFire 360 | 40



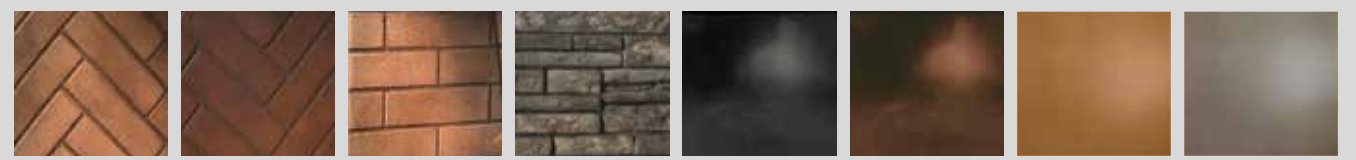
TOWN & COUNTRY TC54



Town & Country's TC54 is the world's largest factory-built, direct-vent gas fireplace, grandly proportioned to fit in great rooms and commercial settings that previously required a custom-built hearth. Tall, vibrant flames dance behind premium "disappearing" ceramic glass - a material so non-reflective your guests will believe they're looking at an open fire. When size matters, the luxurious TC54 gas fireplace delivers a massive performance.

Due to elevation and fuel type, flame characteristics might not be exactly as shown. Visit a showroom near you to experience the true beauty of live Town & Country flames.

PANELS



PARK AVENUE MOUNT VERNON MANHATTAN MADISON BLACK PORCELAIN COFFEE BEAN BROWN PORCELAIN COPPER TITANIUM

BURNERS



COUNTRY HOME TRANQUILITY BLACK DIAMOND TUMBLED GLASS IN 4 COLORS



TOWN & COUNTRY
TC42

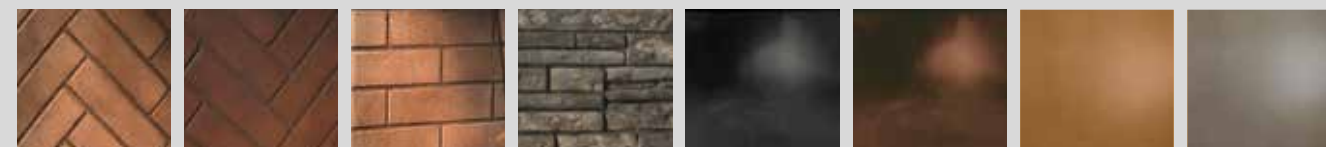


This is the one that started it all. Town & Country's flagship TC42 fireplace introduced the clean face category, bringing exceptional, full flames and a commanding presence to any room. With the many Design-A-Fire options - available only on Town & Country fireplaces - you can create a look uniquely your own. Go truly traditional, ultra-modern or soft and sophisticated - the choice is yours.

Heat Transfer Cool Wall System available, see page 48 for more information.

Due to elevation and fuel type, flame characteristics might not be exactly as shown. Visit a showroom near you to experience the true beauty of live Town & Country flames.

PANELS



PARK AVENUE MOUNT VERNON MANHATTAN MADISON BLACK PORCELAIN COFFEE BEAN BROWN PORCELAIN COPPER TITANIUM

BURNERS



COUNTRY HOME (natural gas only) HEARTWOOD CHALET TRANQUILITY BLACK DIAMOND TUMBLED GLASS IN 4 COLORS



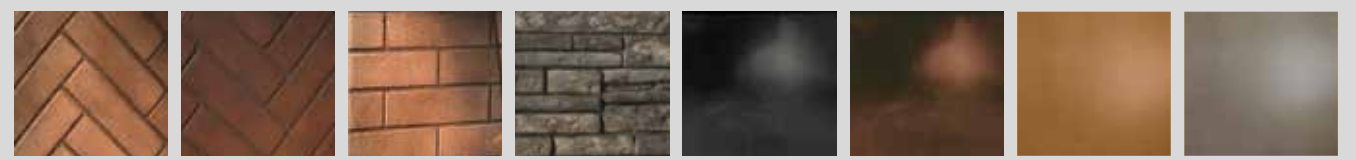
TOWN & COUNTRY TC36



Designed for medium-sized spaces, the TC36 recreates the authentic look of a full-flame, wood-burning hearth in a gas fireplace. Utilize our numerous elegant Design-A-Fire options to bring your own personal design touches to complete the look.

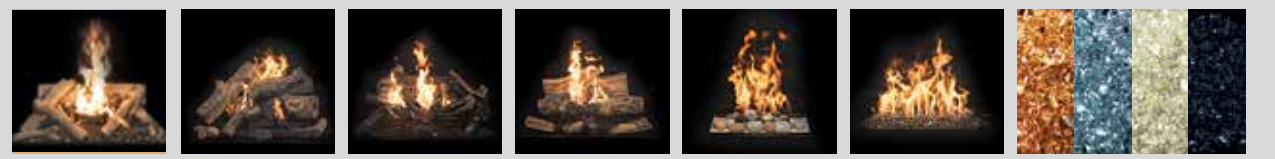
Due to elevation and fuel type, flame characteristics might not be exactly as shown. Visit a showroom near you to experience the true beauty of live Town & Country flames.

PANELS



PARK AVENUE MOUNT VERNON MANHATTAN MADISON BLACK PORCELAIN COFFEE BEAN BROWN PORCELAIN COPPER TITANIUM

BURNERS



BIRCHWOOD COUNTRY HOME (natural gas only) HEARTWOOD CHALET TRANQUILITY BLACK DIAMOND TUMBLED GLASS IN 4 COLORS



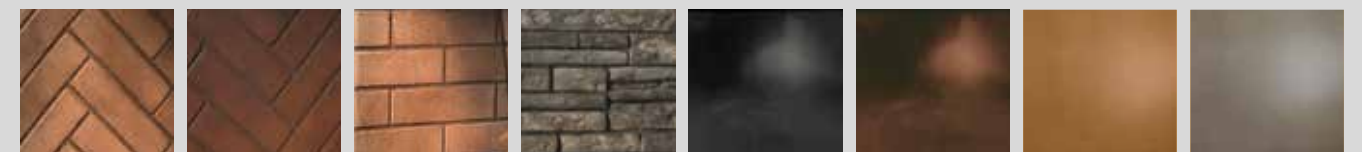
TOWN & COUNTRY
TC36 Arch



The grand TC36 Arch features a classic barrel arch face replicating the Rumford-style hearth found in fine period homes. This true arch fireplace has no heavy external trim or louvers to work around, allowing you to tailor the front with stone, tile or other materials for an even more traditional look.

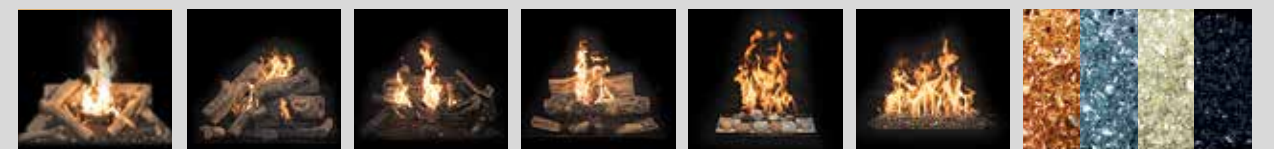
Due to elevation and fuel type, flame characteristics might not be exactly as shown. Visit a showroom near you to experience the true beauty of live Town & Country flames.

PANELS



PARK AVENUE MOUNT VERNON MANHATTAN MADISON BLACK PORCELAIN COFFEE BEAN BROWN PORCELAIN COPPER TITANIUM

BURNERS



BIRCHWOOD COUNTRY HOME (natural gas only) HEARTWOOD CHALET TRANQUILITY BLACK DIAMOND TUMBLED GLASS IN 4 COLORS



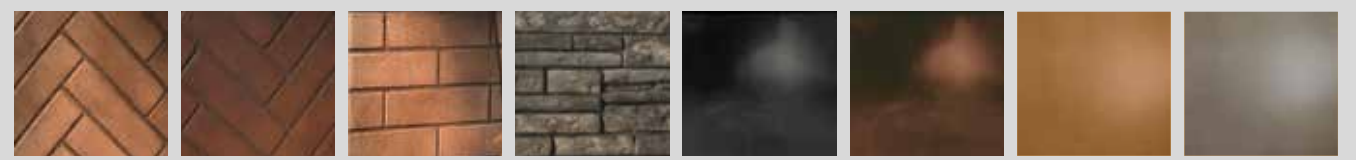
TOWN & COUNTRY
TC36 See-Thru



Divide two rooms in dramatic fashion with the Town & Country TC36 See-Thru fireplace. Whether you choose the traditional log fire or the modern touch of glass, the TC36 See-Thru delivers tall, bold flames to fill the generously proportioned firebox – casting beauty to two rooms simultaneously.

Due to elevation and fuel type, flame characteristics might not be exactly as shown. Visit a showroom near you to experience the true beauty of live Town & Country flames.

PANELS



PARK AVENUE MOUNT VERNON MANHATTAN MADISON BLACK PORCELAIN COFFEE BEAN BROWN PORCELAIN COPPER TITANIUM

BURNERS



LOGEWOOD CHALET SEE-THRU TRANQUILITY BLACK DIAMOND TUMBLED GLASS IN 4 COLORS



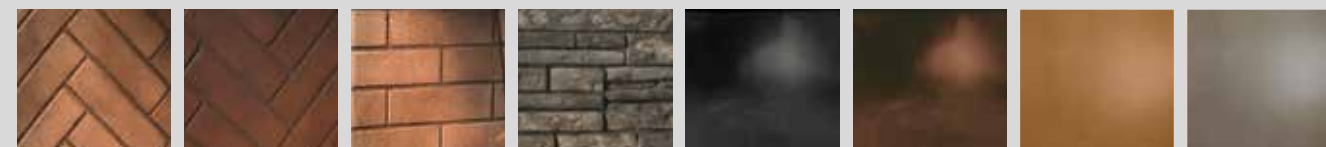
TOWN & COUNTRY
TC30



Transform the ambiance of a small space with dramatic flames on full display. Town & Country's TC30 fireplace is the first design-driven gas fireplace perfectly sized for smaller spaces and renovation projects. With our Design-A-Fire versatility you can tailor the look - from the firebox panels to the burner - to suit your style.

Due to elevation and fuel type, flame characteristics might not be exactly as shown. Visit a showroom near you to experience the true beauty of live Town & Country flames.

PANELS



PARK AVENUE MOUNT VERNON MANHATTAN MADISON BLACK PORCELAIN COFFEE BEAN BROWN PORCELAIN COPPER TITANIUM

BURNERS



COUNTRY HOME (natural gas only) HEARTWOOD CHALET TRANQUILITY BLACK DIAMOND TUMBLED GLASS IN 4 COLORS



TOWN & COUNTRY
WS54



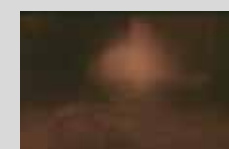
The custom-look WS54 Widescreen is a massive landscape of deep, generous flame that captivates the attention from any angle, even in large rooms. This ultra-modern fireplace is sleek and luxurious and can be further enhanced with the multiple Design-A-Fire options - from stunning firebox panels to both traditional and contemporary burners.

Due to elevation and fuel type, flame characteristics might not be exactly as shown. Visit a showroom near you to experience the true beauty of live Town & Country flames.

PANELS



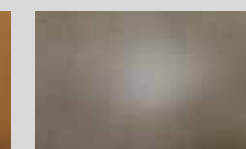
BLACK PORCELAIN



COFFEE BEAN BROWN PORCELAIN



COPPER PORCELAIN



TITANIUM PORCELAIN

BURNERS



BLACK DIAMOND



TUMBLLED GLASS IN 4 COLORS



TRANQUILITY



RIVER ROCK IN 3 FINISHES



TOWN & COUNTRY
WS54 See-Thru



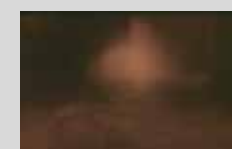
The WS54 Widescreen See-Thru is a double-sided landscape of vibrant flame. Massive, sleek and ultra-modern, it's stunning 3-dimensional flame is the focal point of two rooms at once. The ultimate statement piece, this deluxe see-thru gives the look of a luxury custom fireplace from every possible vantage point.

Due to elevation and fuel type, flame characteristics might not be exactly as shown. Visit a showroom near you to experience the true beauty of live Town & Country flames.

PANELS



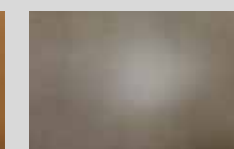
BLACK PORCELAIN



COFFEE BEAN BROWN PORCELAIN



COPPER PORCELAIN



TITANIUM PORCELAIN

BURNERS



LONG BEACH



BLACK DIAMOND



TUMBLLED GLASS IN 4 COLORS

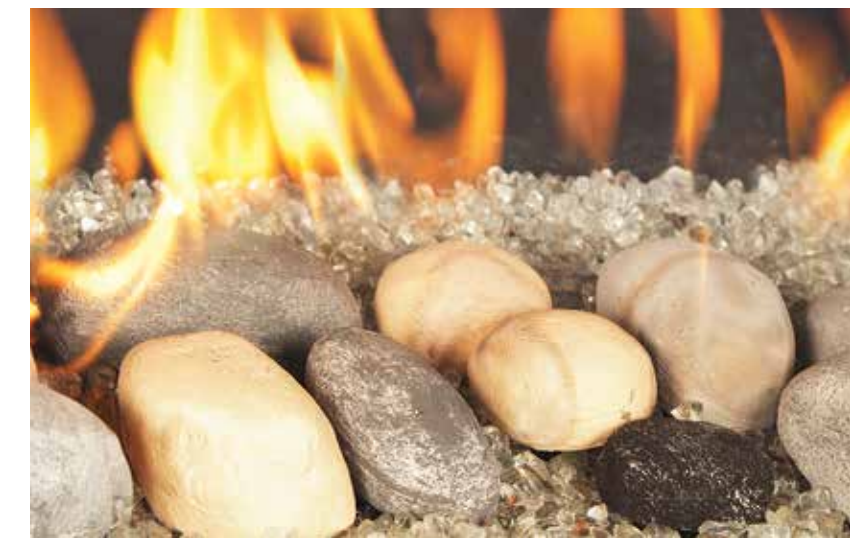


TRANQUILITY



RIVER ROCK IN 3 FINISHES

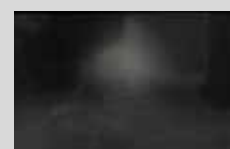
TOWN & COUNTRY
WS38



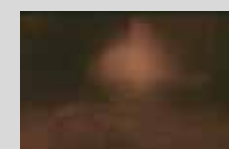
Town & Country's Widescreen WS38 sets an attractive scene - even when the bold, full flames aren't burning. The smaller, sleek silhouette offers a contemporary look with unmatched versatility. Choose from multiple Design-A-Fire options to give it your own design touch.

Due to elevation and fuel type, flame characteristics might not be exactly as shown. Visit a showroom near you to experience the true beauty of live Town & Country flames.

PANELS



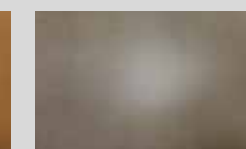
BLACK PORCELAIN



COFFEE BEAN BROWN PORCELAIN



COPPER PORCELAIN



TITANIUM PORCELAIN

BURNERS



BLACK DIAMOND



TUMBLLED GLASS IN 4 COLORS



REFLECTIONS



RIVER ROCK IN 3 FINISHES



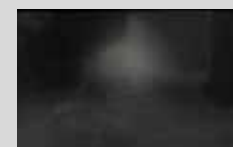
TOWN & COUNTRY
WS54 Outdoor



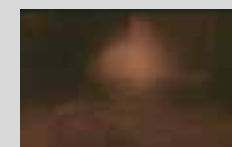
Town & Country sets the benchmark in premiere fireplace design with this massive panorama of flames. Built to face the elements, the Widescreen WS54 Outdoor can withstand sub-zero temperatures while the disappearing ceramic glass ensures Town & Country's signature bold flames are always protected from wind. To withstand the challenges of the outdoor environment, Town & Country outdoor fireplaces make extensive use of 304 stainless steel, including all components exposed to the elements.

Due to elevation and fuel type, flame characteristics might not be exactly as shown. Visit a showroom near you to experience the true beauty of live Town & Country flames.

PANELS



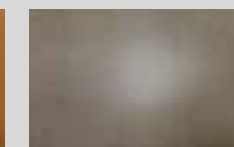
BLACK PORCELAIN



COFFEE BEAN BROWN PORCELAIN



COPPER PORCELAIN



TITANIUM PORCELAIN

BURNERS



BLACK DIAMOND



TUMBLLED GLASS IN 4 COLORS



TRANQUILITY



RIVER ROCK IN 3 FINISHES



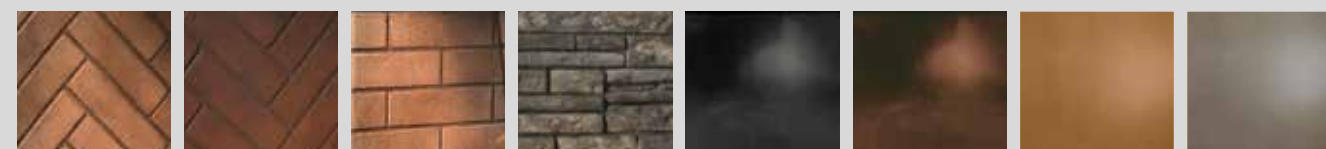
TOWN & COUNTRY
TC42 Outdoor



The TC42 outdoor fireplace creates a captivating focal point in your outdoor space. It's the perfect combination of elegant form and reliable function. The sealed firebox protects your luxury fireplace from the elements, while disappearing ceramic glass - encased in a stainless steel frame - prevents any disruption from wind and ensures a clean, clear view of the sizable flames. To withstand the challenges of the outdoor environment, Town & Country outdoor fireplaces make extensive use of 304 stainless steel, including all components exposed to the elements.

Due to elevation and fuel type, flame characteristics might not be exactly as shown. Visit a showroom near you to experience the true beauty of live Town & Country flames.

PANELS



PARK AVENUE MOUNT VERNON MANHATTAN MADISON BLACK PORCELAIN COFFEE BEAN BROWN PORCELAIN COPPER TITANIUM

BURNERS



COUNTRY HOME (natural gas only) HEARTWOOD CHALET TRANQUILITY BLACK DIAMOND TUMBLED GLASS IN 4 COLORS



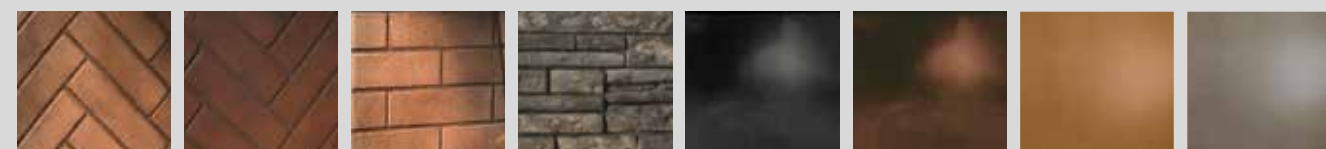
TOWN & COUNTRY
TC36 Outdoor



Expand your living space with Town & Country's TC36 Outdoor gas fireplace. Whether your home is contemporary or traditional, our interchangeable firebox panels and burner options offer endless stylish possibilities. Create the perfect combination to complement your outdoor space decor and complete your design vision. To withstand the challenges of the outdoor environment, Town & Country outdoor fireplaces make extensive use of 304 stainless steel, including all components exposed to the elements.

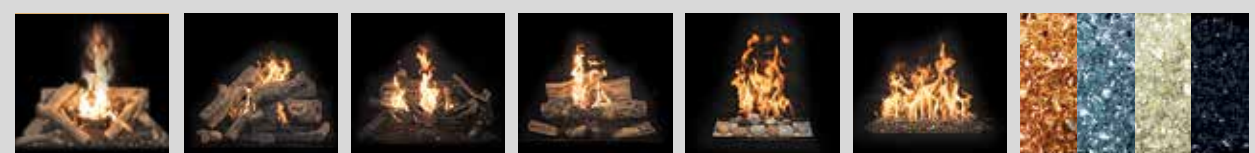
Due to elevation and fuel type, flame characteristics might not be exactly as shown. Visit a showroom near you to experience the true beauty of live Town & Country flames.

PANELS



PARK AVENUE MOUNT VERNON MANHATTAN MADISON BLACK PORCELAIN COFFEE BEAN BROWN PORCELAIN COPPER TITANIUM

BURNERS



BIRCHWOOD COUNTRY HOME (natural gas only) HEARTWOOD CHALET TRANQUILITY BLACK DIAMOND TUMBLED GLASS IN 4 COLORS



TOWN & COUNTRY
WS54 See-Thru
 Indoor-Outdoor



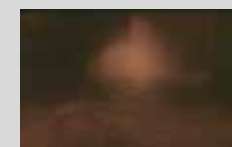
Our Widescreen WS54 See-Thru Indoor-Outdoor gas fireplace makes a striking architectural statement and takes outdoor living to a luxurious new level. The see-thru design extends your living space and provides a connection between interior and exterior areas allowing for all-season enjoyment. The generous, full flame profile is protected by disappearing ceramic glass and remains unaffected by the elements.

Due to elevation and fuel type, flame characteristics might not be exactly as shown. Visit a showroom near you to experience the true beauty of live Town & Country flames.

PANELS



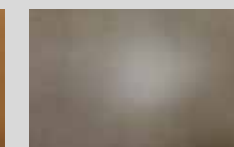
BLACK PORCELAIN



COFFEE BEAN BROWN PORCELAIN



COPPER PORCELAIN



TITANIUM PORCELAIN

BURNERS



LONG BEACH



BLACK DIAMOND



TUMBLLED GLASS IN 4 COLORS



TRANQUILITY



RIVER ROCK IN 3 FINISHES



Shown with custom surround

TOWN & COUNTRY HELIFIRE 360

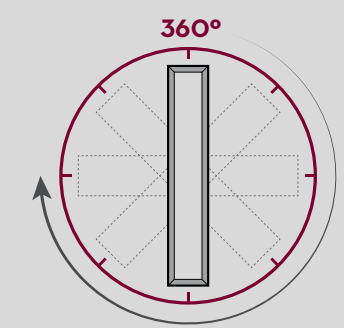


Our exciting new Town & Country HeliFire 360 adds a dramatic, eye-catching fire feature to any space. Its long, luxurious flame casts a seductive glow and makes a bold design statement wherever it's installed. The HeliFire 360 will be the dominant focal point to build your dream environment around.

Due to elevation, fuel type, vent length and orientation flame length may vary up to 30%. Visit a showroom near you to experience the true beauty of live Town & Country flames.



THE POSSIBILITIES ARE ENDLESS
With its ingenious design and unique construction, HeliFire 360 offers endless installation options for every possible application - from vertical to horizontal and everything in between, one-sided to see-thru, indoor or outdoor. The only limit is your imagination.



TRADITIONAL BURNERS

The satisfying visual appeal of logs aflame is recreated in great detail in our Country Home, Heartwood, Chalet and Lodgewood models. These are premium, hand-carved replica logs with a life-like appearance. The Black Diamond and Tranquility offer a more minimalistic contemporary look in a traditional-shaped firebox.



COUNTRY HOME

All models except See-Thru and Wide Screen models



HEARTWOOD

TC42, TC36, TC36 ARCH and TC30



BLACK DIAMOND

All models. Tumbled glass available in four colors: Desert, Pacific, Twilight and Black



Desert
Diamond

Pacific
Diamond

Twilight
Diamond

Black
Diamond



TRANQUILITY

All models except WS38



CHALET

TC42, TC36, TC36 ARCH and TC30



BIRCHWOOD

NEW FOR 2019 - TC36



LODGEWOOD

TC36ST only



CHALET SEE-THRU

TC36ST only

WIDESCREEN BURNERS

Our widescreen burners offer a scenic vista of full, rich flames in both contemporary and traditional styles. Premium materials are used to craft the look of burning driftwood, smooth river rocks and ultra-modern tumbled glass.



BLACK DIAMOND BURNER

Go sleek with tumbled glass available in four dynamic colors: Desert Diamond, Pacific Diamond, Twilight Diamond and Black Diamond.



Desert Diamond



Pacific Diamond



Twilight Diamond



Black Diamond

OPTIONAL LONG BEACH LOGSET

Inspired by natural driftwood, the optional Long Beach logset (upgrade to the Black Diamond Burner) offers the appeal of a beach-side fire. For WS54ST and WS54ST I/O only. (shown with Desert Diamond tumbled glass)



REFLECTIONS BURNER

Available for the WS38 only, the Reflections burner features smooth ceramic river rock on a dramatic bed of Twilight Diamond tumbled glass.



TOWN & COUNTRY WIDE SCREEN SURROUNDS

Complement your Town & Country WS38 or WS54 Widescreen with one of our custom-designed optional steel surrounds, available in two textured powder coated finishes: graphite and copper. For interior applications only.



COPPER



GRAPHITE

TRANQUILITY BURNER

Express your contemporary lifestyle with the contrast of vibrant fire over natural-toned ceramic river rock and soft white sand.

OPTIONAL METROPOLITAN STONE SETS

Available in two colors, the Metropolitan Stone Set (upgrade to the Tranquility Burner) features high gloss black or grey stones set on a bed of glistening black sand. For WS54, WS54ST, WS54ST I/O, and WS54 Outdoor Only.



Black



Grey



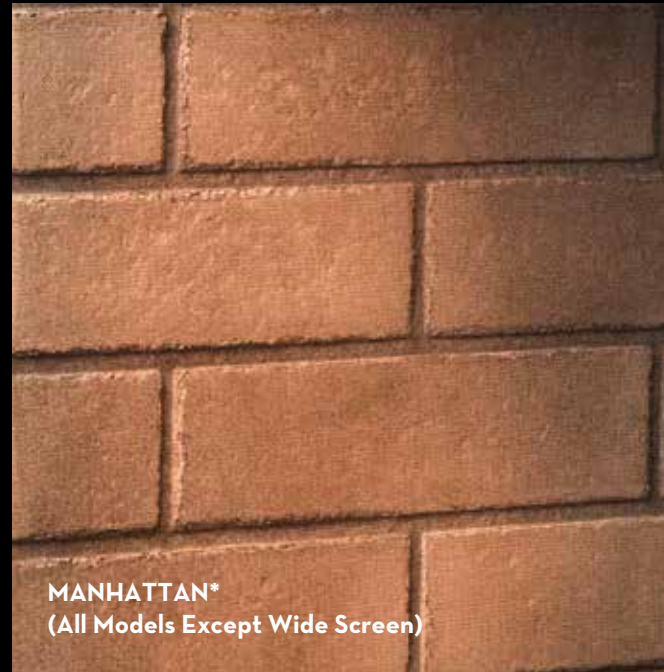
FIREBOX PANELS

Exquisitely hand-painted to replicate masonry brick and ledgerstone, these interior firebox panels provide a rustic, authentic-looking backdrop to our full flames. The handcrafted fiber panels feature fine details, textures and color, making every set unique.

HAND CRAFTED BRICK PANELS



PARK AVENUE*
(All Models Except Wide Screen)



MANHATTAN*
(All Models Except Wide Screen)



MOUNT VERNON*
(All Models Except Wide Screen)



MADISON*
(All Models Except Wide Screen)

* Handcrafted brick panels may not be exactly as shown (For all Traditional Models only)

The simple beauty of Town & Country-crafted Porcelain Steel offers a clean, contemporary look that's extraordinarily durable and fade-resistant. Created in our in-house enameling facility, where temperatures exceed 1500 degrees Fahrenheit, the porcelain finish is fused with steel to create an inseparable bond that offers the flexibility and firmness of metal and the glossy hardness of glass. This process provides a lustrous, reflective finish that accentuates our robust, full flame to dramatic effect.

PORCELAIN ENAMEL PANELS



BLACK PORCELAIN
(All Models)



COFFEE BEAN BROWN PORCELAIN
(All Models)



TITANIUM PORCELAIN
(All Models)



COPPER PORCELAIN
(All Models)



INSTALLATION MADE EASY

Building your dream house is a complicated process, but the flexibility we've designed into our installation - from architect to builder to interior designer - makes adding a Town & Country fireplace smooth and seamless. The unit is framed-in during the construction phase and later, after the theme or aesthetic of the room has been decided, the interior designer can choose the fine details - from the firebox panels to the flame.

STEEL STUD FRAMING KIT

All Town and Country fireplace models come complete with an adjustable depth, heavy 20 gauge steel framing kit.

(Steel Stud Framing Kit for TC WS54ST shown)

Installation instructions must be consulted before framing. Specifications subject to change without notice.

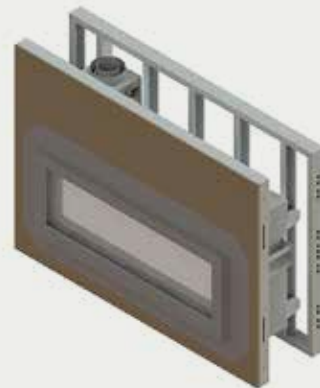


PRE-BUILT WALL SYSTEM

All Town & Country indoor-outdoor fireplaces come complete as part of a pre-built wall panel.

(Pre-built wall panel for TC WS54ST indoor-outdoor shown)

Installation instructions must be consulted before framing. Specifications subject to change without notice.

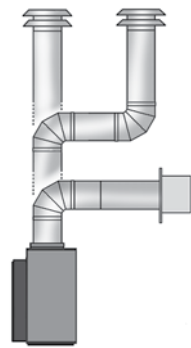


HEAT TRANSFER COOL WALL SYSTEM

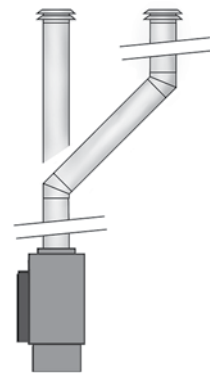
The Town & Country cool wall system channels heat to create a cool space directly above the fireplace. Available on the TC42 only (at time of print).

CONVENTIONAL VENTING

Most Town and Country gas fireplaces can be vented naturally with our co-axial venting systems. The advantage is no power is required. If you require a more compact vent system with unusual lengths of run and rise, investigate our revolutionary power venting systems.



Standard venting configurations for: TC30, TC36, TC36 Arch, TC36 See-Thru, WS38, TC42, TC36 Outdoor and TC42 Outdoor



Standard venting configurations for: WS54, WS54 Outdoor and TC54.

DIRECT VENT TERMINALS



Standard venting terminal for roof installation



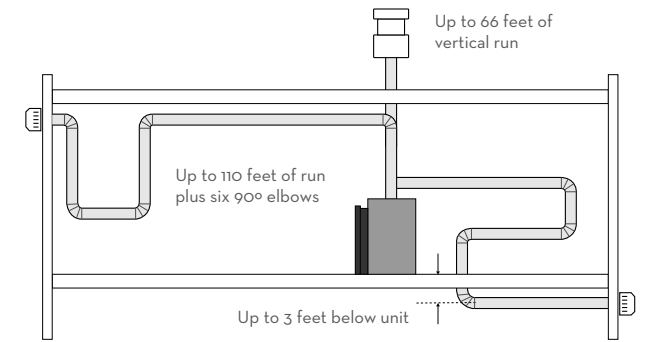
Standard venting terminal for wall installation



Stainless Steel wall venting terminal for condo installation

VENT ABOVE OR BELOW GRADE WITH TOWN & COUNTRY'S REVOLUTIONARY POWER VENT SYSTEM

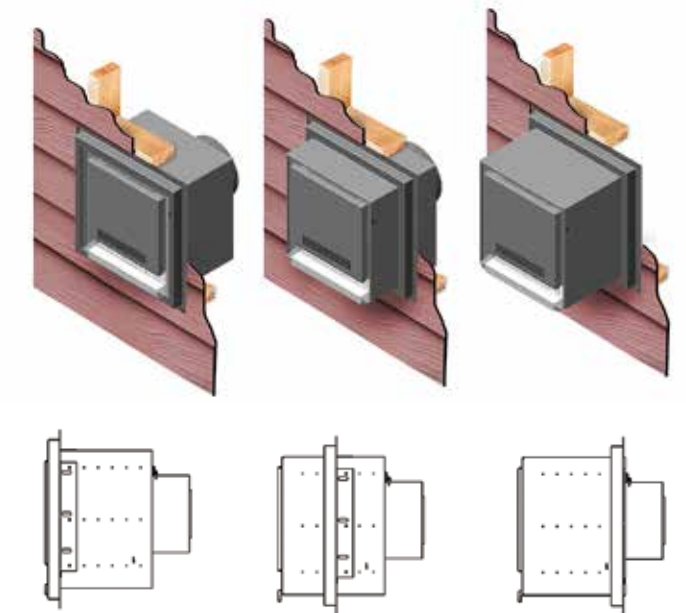
All Town & Country gas fireplaces are direct vented, meaning each fireplace is independent of your home, drawing its combustion air and expelling its exhaust to the outdoors, with no impact on your indoor air quality regardless if you use a conventional vent or power vent system.



FLUSH POWER VENT WALL TERMINATION



Town & Country gave you the first clean face fireplace to enhance the beauty of your home's interior. Now that same industry-leading innovation is helping to maintain the beauty of your home's exterior, with the first Clean Face Power Vent



Termination System. Mounted flush to the exterior wall, the vent can be painted to match your home's existing colour and sightlines.

ULTRA QUIET HIGH-TECH FAN



Smart-chip technology controls precise CFM air movement with whisper-quiet operation.

POWER VENT TERMINALS



Power vent terminal for roof installation

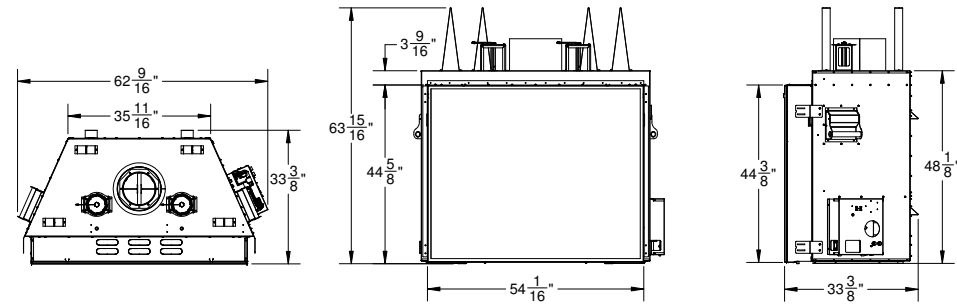
For TC54 please consult installation manual for options

For reference only. Consult manual before installation.

For reference only. Consult manual before installation.

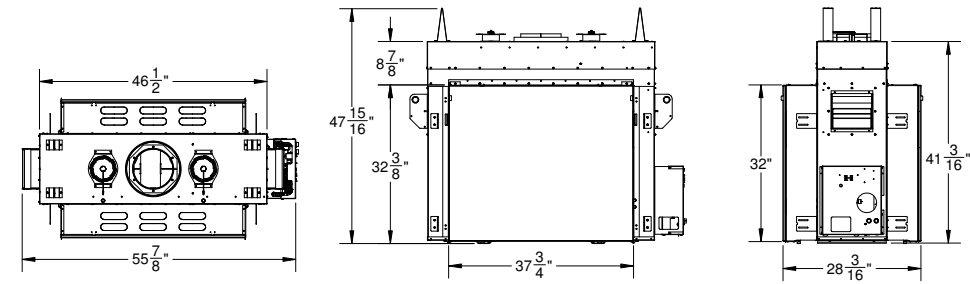
TC54

53 9/16" x 44 1/8"
16.5 sq. feet of viewing area



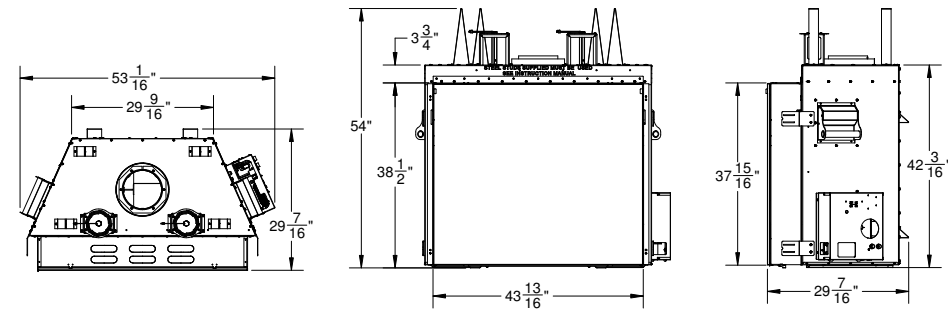
TC36 See-Thru

37 1/2" x 32 3/16"
8.4 sq. feet of viewing area



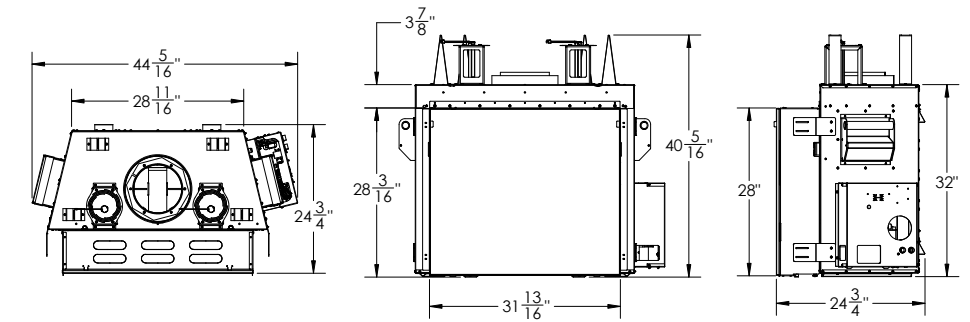
TC42

43 1/2" x 38 1/8"
11.5 sq. feet of viewing area



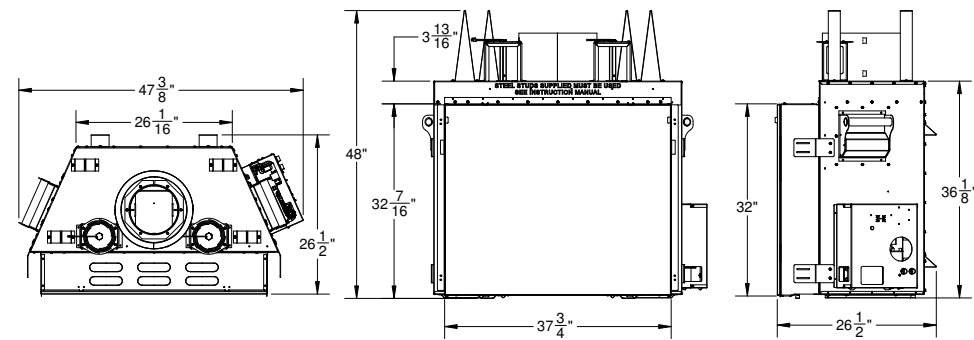
TC30

31 1/2" x 28 3/16"
6.2 sq. feet of viewing area



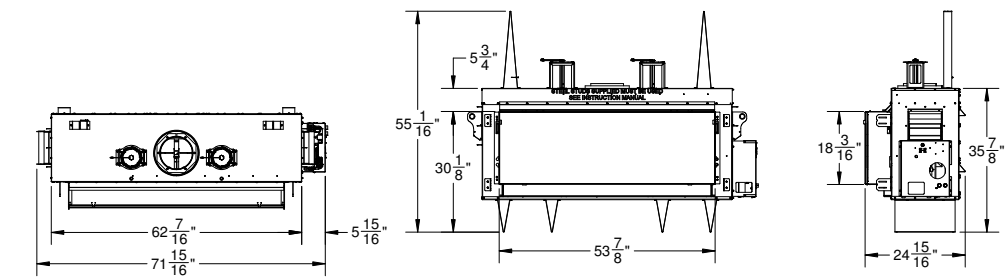
TC36

37 1/2" x 32 3/16"
8.4 sq. feet of viewing area



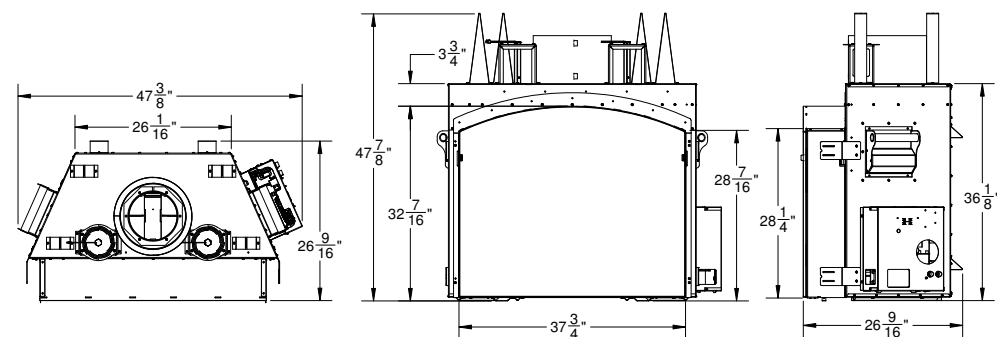
WS54

53 5/8" x 17 3/4"
6.6 sq. feet of viewing area



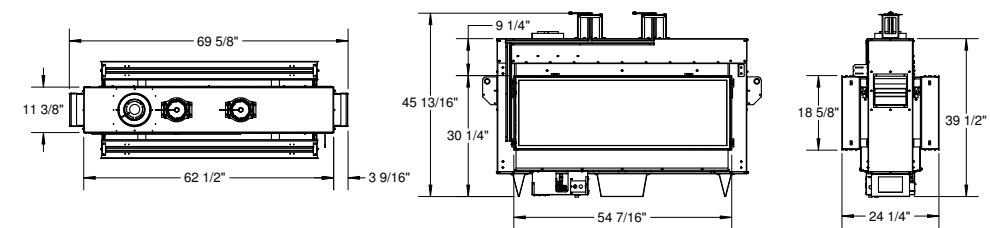
TC36 Arch

37 1/2" x 32 3/16"
8.4 sq. feet of viewing area



WS54 See-Thru

53 5/8" x 17 3/4"
6.6 sq. feet of viewing area

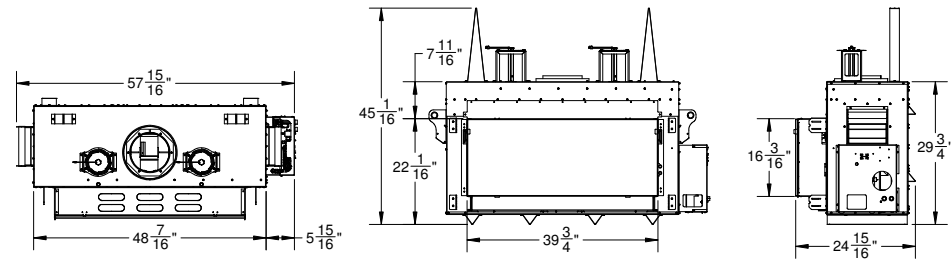


DIMENSIONS



WS38

39 5/8" x 15 5/8"
4.3 sq.feet of viewing area

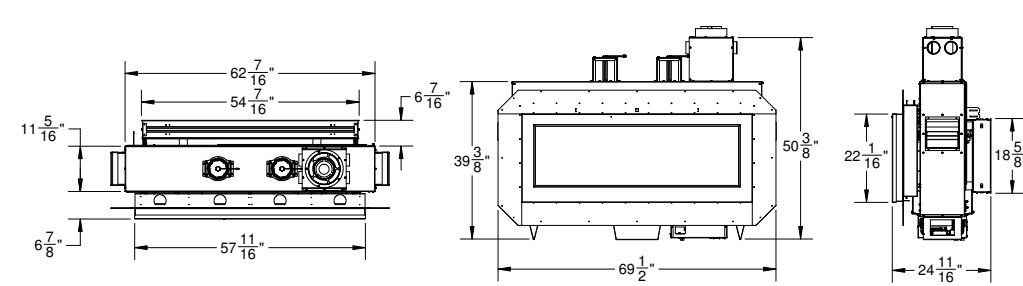


For reference only. Consult manual before installation.

For reference only. Consult manual before installation.

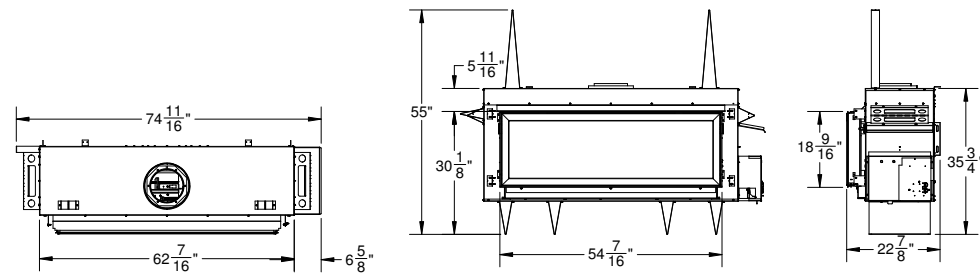
WS54 Indoor-Outdoor See-Thru

53 5/8" x 17 3/4"
6.6 sq.feet of viewing area



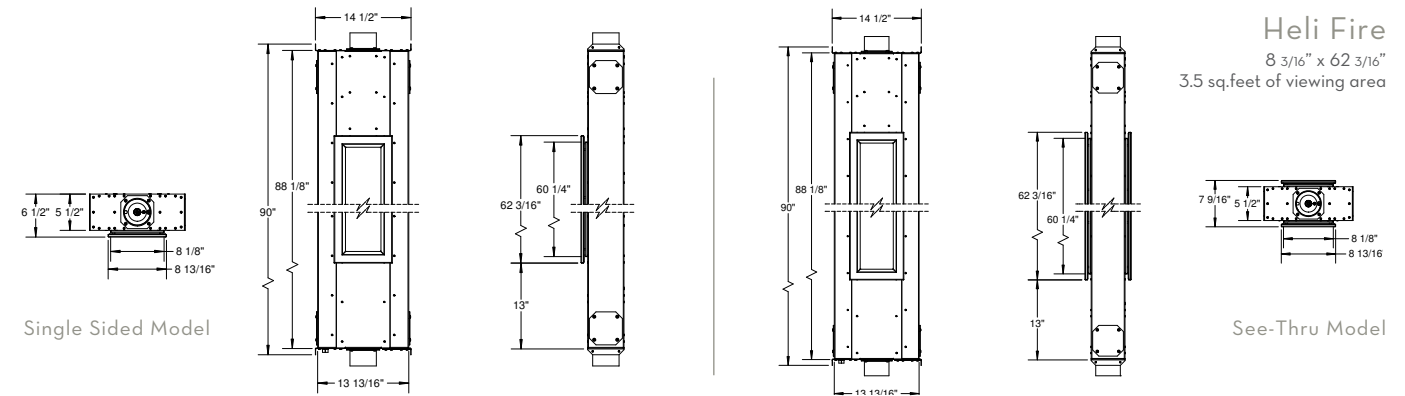
WS54 Outdoor

53 5/8" x 17 3/4"
6.6 sq.feet of viewing area



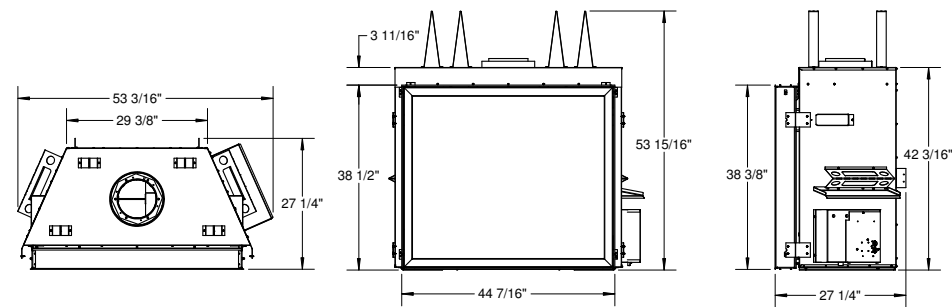
Heli Fire

8 3/16" x 62 3/16"
3.5 sq.feet of viewing area



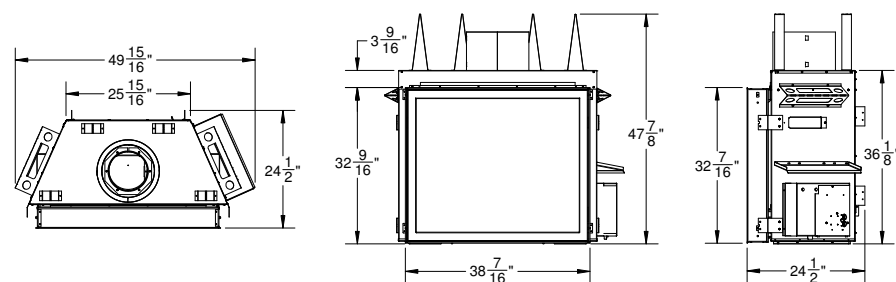
TC42 Outdoor

43 1/2" x 38 1/8"
11.5 sq.feet of viewing area

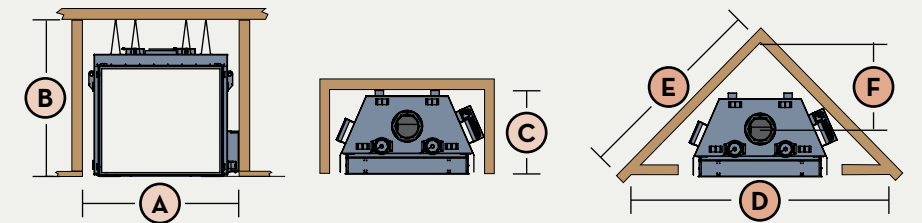


TC36 Outdoor

37 1/2" x 32 3/16"
8.4 sq.feet of viewing area



MINIMUM FRAMING DIMENSIONS



Model	STRAIGHT INSTALLATION			CORNER INSTALLATION		
	A	B	C	D	E	F
TC54	63 1/2"	63 7/8"	33 3/8"	114 11/16"	81 1/8"	37 11/16"
TC42	56 1/2"	54 1/8"	29 3/8"	92 5/8"	65 1/2"	30 1/16"
TC36 / TC36 Arch	50 1/4"	48 1/8"	26 1/2"	86 5/16"	61 1/16"	29 1/2"
TC36 See-Thru	59 1/2"	48 1/2"	28 1/4"	not applicable		
TC30	47 3/8"	40 3/8"	24 3/4"	87 1/2"	61 7/8"	30 3/16"
WS54	74 3/4"	54 1/4"	24 15/16"	115 9/16"	81 11/16"	44 9/16"
WS54 See-Thru	74 3/4"	54 1/16"	24 7/16"	not applicable		
WS38	61 5/8"	45 1/8"	24 7/8"	101 13/16"	72"	37 3/4"
WS54 Outdoor	74 1/4"	55 1/4"	22 1/2"	114"	80 5/8"	46 1/4"
TC42 Outdoor	56 1/4"	54"	26 1/8"	87 11/16"	62"	30"
TC36 Outdoor	50 1/4"	48 1/4"	23 3/8"	79 15/16"	56 9/16"	29 3/8"
WS54 See-Thru Indoor-Outdoor	74 3/4"	54 1/16"	20 5/16"	not applicable		
Heli Fire 360	14 1/2"	90"	5 1/2"	26"	18"	10"
Heli Fire 360 See Thru	14 1/2"	90"	5 1/2"	not applicable		

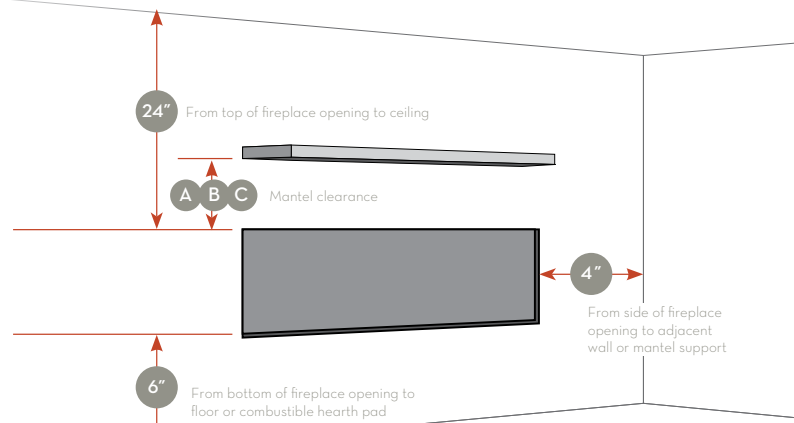
MINIMUM CLEARANCES TO COMBUSTIBLE MATERIAL

For reference only. Consult manual before installation.

LINEAR GAS FIREPLACES

Unit	A	B	C
Mantel Depth	12"	6 ³ / ₄ "	1 ¹ / ₂ "
WS54 Indoor-Outdoor See Thru	9"	6"	3"
WS54 See Thru	9"	6"	3"
WS54	9"	6"	3"
WS38	9"	6"	3"

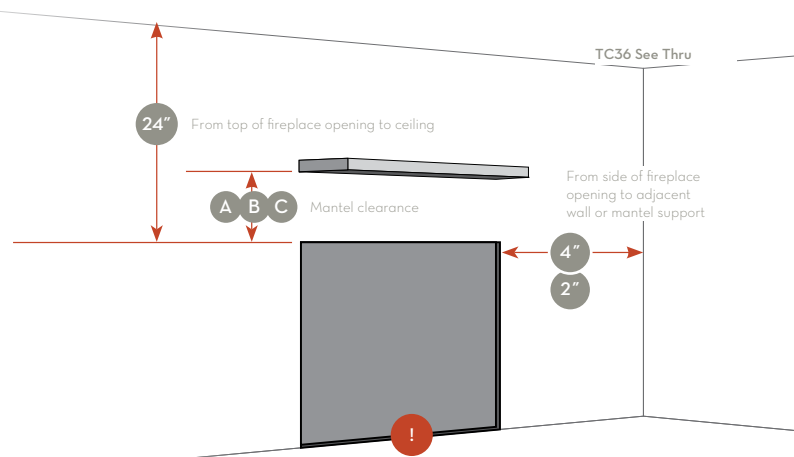
Consult manual for wall construction and non-combustible wall sheeting requirements.



TRADITIONAL GAS FIREPLACES

Unit	A	B	C
Mantel Depth	12"	6 ³ / ₄ "	1 ¹ / ₂ "
TC54	17"	15"	12"
TC42 / TC42 Outdoor	9"	6"	3"
TC36 / TC36 Arch / TC36 Outdoor	9"	6"	3"
TC36 See Thru	9"	6"	3"
TC30	9"	6"	3"

Consult manual for wall construction and non-combustible wall sheeting requirements.



Note: If the TC54 is placed on a combustible floor, the fireplace must be raised at least 1" to accommodate the required 2" non-combustible raised hearth and to ensure that the hearth does not interfere with the window frame operation. Refer to the installation instructions provided with the appliance.

BTU INPUT AND EFFICIENCY

Model	NATURAL GAS			LIQUID PROPANE		
	NG High	NG Low	EnerGuide	LP High	LP Low	EnerGuide
TC54	83,700	67,000	38.5%	83,700	67,000	38.5%
TC42/TC42 Outdoor	61,000	46,200	34.2%	61,000	46,200	34.2%
TC36/TC36 Outdoor	47,000	35,000	26.8%	47,000	35,000	26.8%
TC36 See-Thru	61,000	46,200	36.3%	61,000	46,200	36.3%
TC30	35,000	27,000	34.5%	35,000	27,000	34.5%
WS54/WS54 Outdoor	54,900	46,200	26.3%	54,900	46,200	26.3%
WS54 See-Thru (Indoor-Outdoor)	61,000	39,000	30.7%	61,000	39,000	30.7%
WS38	47,000	35,000	38.4%	47,000	35,000	38.4%
Heli Fire	18,000	12,500	16.8%	18,000	14,000	5.5%

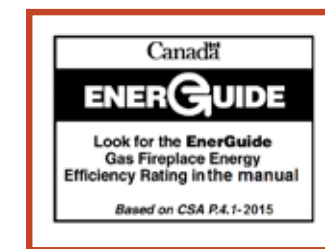
INFORMATION AND RESOURCES

Architect Resource Centre:
Fireplace layout planning and technical installation consultation specifically for architects and designers.
1.888.223.0088
architects@townandcountryfireplaces.com

CAD + BIM Drawings:
Available for each model under "Products"
www.townandcountryfireplaces.com


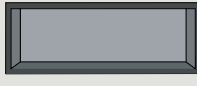
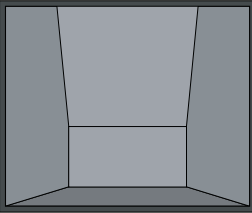
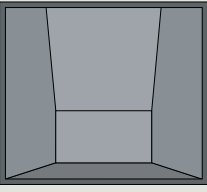
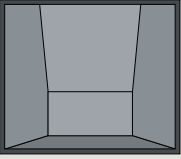
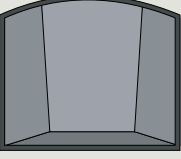

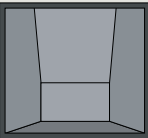
Architect Installation Handbooks:
Basic framing dimensions and installation requirements available for each model under "Products"
www.townandcountryfireplaces.com

Town & Country Showrooms:
Find the showroom nearest you
www.townandcountryfireplaces.com



Town & Country is committed to continuous product improvement and innovation. As a result, appearance and specifications of the products featured in this brochure are subject to change without notice. For more information, please visit townandcountryfireplaces.com

FIREBOX DIMENSIONS

	WS54, WS54 OUTDOOR & WS54 SEE-THRU 53 7/8" x 18 3/16" 952 sq.ft. viewing area* 135.6 cm x 46.2 cm
	WS38 39 3/4" x 16 3/16" 624 sq.ft. viewing area* 101 cm x 41.1 cm
	TC54 54 1/16" x 44 3/8" 2362 sq.ft. viewing area* 137.3 cm x 112.7 cm
	TC42 TC42 OUTDOOR 43 13/16" x 37 15/16" 1631 sq.ft. viewing area* 111.2 cm x 96.4 cm
	TC36 TC36 OUTDOOR 37 3/4" x 32" 1185 sq.ft. viewing area* 95.9 cm x 81.2 cm
	TC36 ARCH 37 3/4" x 32 7/16" 1133 sq.ft. viewing area* 95.9 cm x 82.4 cm
	TC36 SEE-THRU 37 3/4" x 32" 1185 sq.ft. viewing area* 95.9 cm x 81.2 cm
	TC30 31 13/16" x 28" 866 sq.ft. viewing area* 80.8 cm x 71.1 cm

* exterior safety screen dimension



OUR PROMISE

TOWN & COUNTRY LIMITED LIFETIME WARRANTY

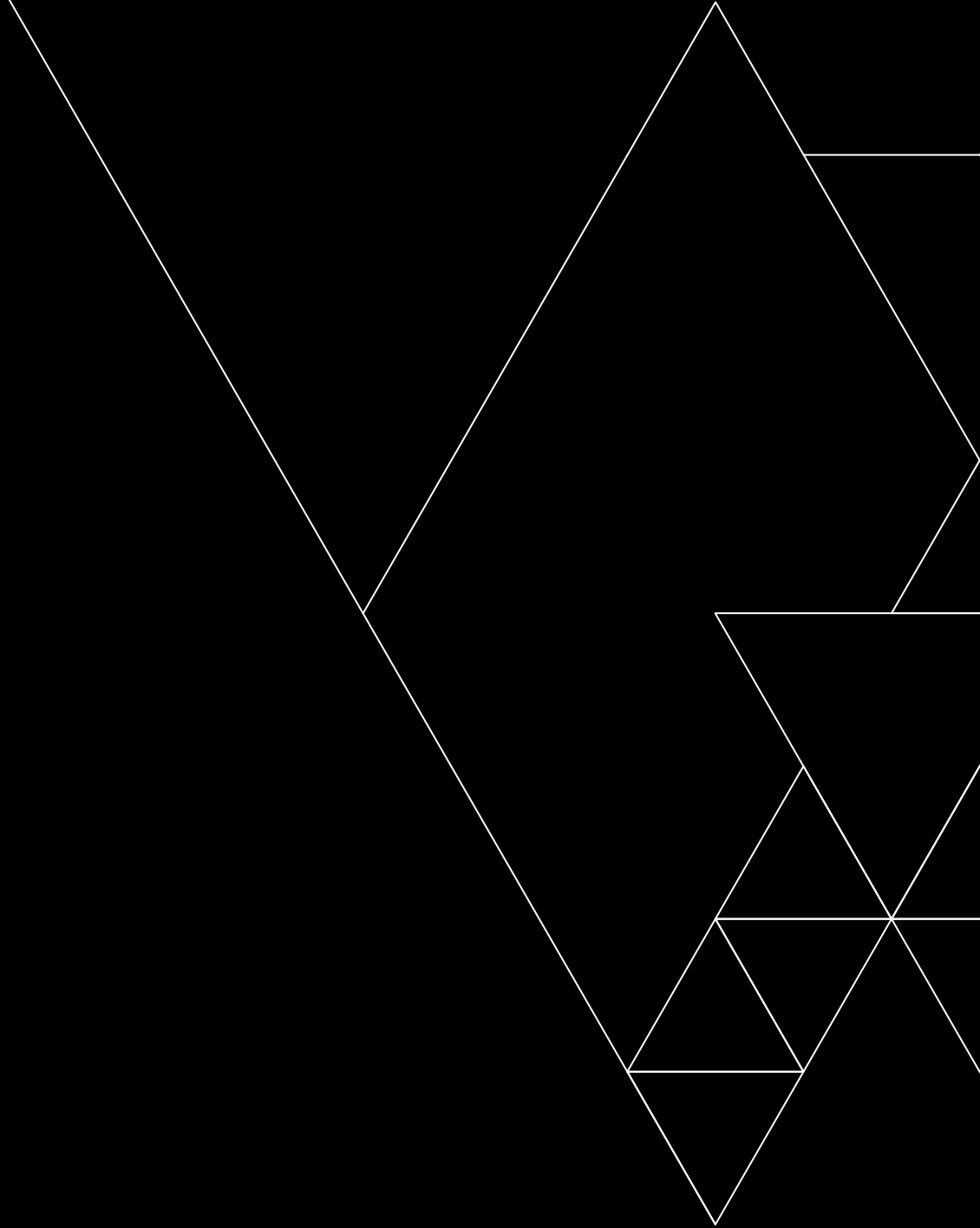
With high quality comes high standards for support. Our promise is backed up by our Limited Lifetime Warranty and by a North America-wide network of dealers committed to providing the utmost in service and technical assistance.

Extended to the original purchaser of a Town & Country Luxury Fireplace from an authorized dealer, our warranty means you can sit fireside worry-free. Behind every fireplace stands our entire sales and technical team, ready to assist with their skill and expertise.

Every one of us is dedicated to providing you with superbly crafted products that we hope will be the centerpiece of your home. Thanks to superior engineering, the highest quality materials, and a relentless attention to detail, a Town & Country Luxury Fireplace should provide you comfort and pleasure for a lifetime.

On behalf of all of us Town & Country, thank you for your interest in our company and our products!

Visit townandcountryfireplaces.com for more information.



TOWNANDCOUNTRYFIREPLACES.COM

PRINTED IN CANADA SKU:20910008 12/18/20M