

INSTALLATION MANUAL

INSTALLER: Leave this manual with the appliance.
CONSUMER: Retain this manual for future reference.

WARNING: If the information in these instructions is not followed exactly, a fire or explosion may result causing property damage, personal injury or death.

FOR YOUR SAFETY

Installation and service must be performed by a qualified installer, service agency or the gas supplier.

WHAT TO DO IF YOU SMELL GAS

- Do not try to light any appliance.
- Do not touch any electrical switch.
- Do not use any phone in your building.
- Immediately call your gas supplier from a neighbour's phone. Follow the gas supplier's instructions.
- If you cannot reach your gas supplier call the fire department.

Do not store or use gasoline or other flammable vapors and liquids in the vicinity of this or any other appliance.

This appliance may be installed in an after market permanently located, manufactured home (USA only) or mobile home, where not prohibited by local codes.

This appliance is only for use with the type of gas indicated on the rating plate. This appliance is not convertible for use with other gases, unless a certified kit is used.

This appliance is suitable for installation in a bedroom or bed sitting room.



We endorse



**NATIONAL
FIREPLACE
INSTITUTE**
A CERTIFICATION AGENCY



TOWN & COUNTRY
LUXURY FIREPLACES

TCWS38D2 INSTALLATION MANUAL



**MODEL: TCWS38
SERIES D2
DIRECT VENTED
DECORATIVE
GAS APPLIANCE**

This is a decorative product and is not intended to be used as a heating appliance.

Visit www.townandcountryfireplaces.com for the most recent version of this manual

Table of Contents


Contents

Table of Contents	2
Caution	3
Safety	3
Important Note for the Commonwealth of Massachusetts	4
Fireplace Dimensions	5
Minimum Clearances to Combustible Material	5
Installation Requirements	6
Manufactured (Mobile) Home	6
Door Frame Removal	6
Standoffs	7
Locating The Fireplace	7
Framing and Finishing	8
Non - combustible board area	9
Steel Stud Framing Kit	10
Frame assembly instructions	12
Fixed Lintel	13
Framing Kit Adjustment	13
Fireplace Facing Allowance	14
Hearth Extension	15
Electrical	16
Wall Switch and Remote Control	17
Wall Switch to IFC Communication Cable Continuity Check ...	17
Selecting Natural Vent and Power Vent Modes	18
Home Automation	19
Gas Supply / Connections	20
Gas Pressure Check	20
Venting	21
Wall Termination Venting	21
Wall thimble:.....	22


Vent pipe:	23
Wall vent terminal:.....	23
Wall Termination Venting Chart	24
Roof Termination Venting Chart	25
Roof Termination Venting	26
Ceiling Opening:.....	26
Ceiling Firestop:	26
Vent Pipe:.....	26
Roof Support Bracket:.....	26
Roof Vent Terminal:.....	27
Vent Terminal Minimum Clearances	28
Vent Terminal Clearance	29
Vent Pipe Sealant	29
Vent Restrictor Adjustment	30
Wall Shield/	31
Ceiling Firestop Thimble.....	31
Roof Termination Kit	31
Wall Termination Kit	31
Attic Insulation Shield.....	32
(Optional).....	32
Vent Pipe Dimensions	32
Vent Offset Chart	33
Firebox Panels Installation	34
Panels Removal for Valve Service	36
Transition Trim Kit Installation	37
Linking Remote Handset to the Fireplace	39
Maintenance	41
Glass Panel:	41
Annual Inspection:.....	41
Periodically:.....	41
Wiring Diagram	42
TCWS38D Parts Diagram.....	43
Parts Diagram – Control System	44
Rating Label	45

Attention!

- Turn off the main gas supply for the appliance during installation or maintenance of the receiver/ module device.
- Turn off main gas supply for the appliance prior to removing or reinserting the batteries.
- In case of remote control malfunction, turn off the fireplace using the “on/off” main switch located on the wall.
- For installation/maintenance, turn off the fireplace at the on/off switch located on the wall and at the fireplace power supply circuit breaker.



DANGER



HOT GLASS WILL CAUSE BURNS.

DO NOT TOUCH GLASS UNTIL COOLED.

NEVER ALLOW CHILDREN TO TOUCH GLASS.

A barrier designed to reduce the risk of burns from the hot viewing glass is provided with the appliance and shall be installed for the protection of children and other at-risk individuals.

Caution

FOR YOUR SAFETY - Do not install or operate your Town & Country fireplace without first reading and understanding this manual. Any installation or operational deviation from the following instructions voids the Town & Country Fireplaces Warranty and may prove hazardous.


This appliance and its individual shut off valve must be disconnected from gas supply piping system during any pressure testing of that system at test pressures in excess of 1/2 psig (3.5 kPa).

This appliance must be isolated from the gas supply piping system by closing its individual manual shut off valve during any pressure testing of the gas supply piping system at test pressures equal to or less than 1/2 psig (3.5 kPa).

Note: When lit for the first time, the appliance will emit a slight odour for a couple of hours. This is due to the curing of paints, sealants and lubricants used in the manufacturing process. This condition is temporary. Open doors and windows to ventilate area. Smoke and fumes caused by the curing process may cause discomfort to some individuals.

Do not use the fireplace if any part has been under water. Immediately call a qualified service technician to inspect the fireplace and to replace any part of the control system and any gas control which has been under water.





WARNING: This product can expose you to chemicals including ceramic fibers, which are known to the State of California to cause cancer, and carbon monoxide, which is known to the State of California to cause birth defects or other reproductive harm.

For more information go to www.P65Warnings.ca.gov.

This warning is applicable to all **Pacific Energy Fireplace Products**

We recommend that our gas hearth products be installed and serviced by professionals who are certified in the United States by the National Fireplace Institute® (NFI) as NFI Gas Specialists

Safety

Due to high temperatures, this gas appliance should be located out of traffic and away from furniture and draperies.

Children and adults should be alerted to the hazards of high surface temperatures and should stay away to avoid burns or clothing ignition.

Young children should be carefully supervised when they are in the same room as the appliance. Toddlers, young children and others may be susceptible to accidental contact burns. A physical barrier is recommended if there are at risk individuals in the house. To restrict access to the fireplace or stove, install an adjustable safety gate to keep toddlers, young children and other at risk individuals out of the room and away from hot surfaces.

Clothing or other flammable material should not be placed on or near the appliance.

Any grill, panel or door removed for servicing the unit must be replaced prior to operating. Failure to do so may create a hazardous condition.

Installation and repair should be done by a qualified service person. The appliance should be inspected before use and at least annually by a professional service person. More frequent cleaning may be required due to excessive lint from carpeting, bedding material, etc. It is imperative that control compartments, burners and circulating air passageways of the appliance be kept clean.

It is our policy that no responsibility is assumed by the Company or by any of its employees or representatives for any damages caused by an inoperable, inadequate, or unsafe condition which is the result, either directly or indirectly, of any improper operation or installation procedures.

This appliance must not be connected to a chimney flue serving a separate solid fuel burning appliance.

— Important Note for the Commonwealth of Massachusetts —

From Massachusetts Rules and Regulations 248 CMR 5.08:

- (a) For all side wall horizontally vented gas fuelled equipment installed in every dwelling, building or structure used in whole or in part for residential purposes, including those owned or operated by the Commonwealth and where the side wall exhaust vent termination is less than seven (7) feet above finished grade in the area of the venting, including but not limited to decks and porches, the following requirements shall be satisfied.
1. **INSTALLATION OF CARBON MONOXIDE DETECTORS.** At the time of installation of the side wall horizontal vented gas fuelled equipment, the installing plumber or gas fitter shall observe that a hard wired carbon monoxide detector with an alarm and battery back-up is installed on the floor level where the gas equipment is to be installed, in addition, the installing plumber or gas fitter shall observe that a battery operated or hard-wired carbon monoxide detector with an alarm is installed on each additional level of the dwelling, building or structure served by the side wall horizontal vented gas fuelled equipment. It shall be the responsibility of the property owner to secure the services of qualified licensed professionals for the installation of hard-wired carbon monoxide detectors.
 - a. In the event that the side wall horizontally vented gas fuelled equipment is installed in a crawl space or an attic, the hard-wired carbon monoxide detector with alarm and battery back-up may be installed on the next adjacent floor level.
 - b. In the event that the requirements of this subdivision cannot be met at the time of completion of installation, the owner shall have a period of thirty (30) days to comply with the above requirements; provided, however, that during said thirty (30) day period, a battery operated carbon monoxide detector with an alarm shall be installed.
 2. **APPROVED CARBON MONOXIDE DETECTORS.** Each carbon monoxide detector as required in accordance with the above provisions shall comply with NFPA 720 and be ANSI/UL 2034 listed as IAS certified.
 3. **SIGNAGE.** A metal or plastic identification plate shall be permanently mounted to the exterior of the building at a minimum height of eight (8) feet above grade directly in line with the exhaust vent terminal for the horizontally vented gas fuelled heating appliance or equipment. The sign shall read, in print size no less than one-half (1/2) inch in size, "GAS VENT DIRECTLY BELOW. KEEP CLEAR OF ALL OBSTRUCTIONS"
 4. **INSPECTION.** The state or local gas inspector of the side wall horizontally vented gas fuelled equipment shall not approve the installation unless, upon inspection, the inspector observes carbon monoxide detectors and signage installed in accordance with the provisions of 248 CMR 5.089(2) (a) 1 through 4.
- (b) **EXEMPTIONS.** The following equipment is exempt from 248 CMR 5.089(2)(a) 1 through 4.
1. The equipment listed in Chapter 10 entitled "Equipment Not Required To Be Vented" in the most current edition of NFPA 54 as adopted by the Board; and
 2. Product Approved side wall horizontal vented gas fuelled equipment installed in a room or structure separate from the dwelling, building or structure used in whole or in part for residential purposes.
- (c) **MANUFACTURER REQUIREMENTS – GAS EQUIPMENT VENTING SYSTEM PROVIDED.** When the manufacturer of Product Approved side wall horizontally vented gas equipment provides a venting system design or venting system components with the equipment, the instructions provided by the manufacturer for installation of the equipment and the venting system shall include:
1. Detailed instructions for the installation of the venting system design or the venting system components; and
 2. A complete parts list for the venting system design or venting system.
- (d) **MANUFACTURER REQUIREMENTS – GAS EQUIPMENT VENTING SYSTEM NOT PROVIDED.** When the manufacturer of a Product Approved side wall horizontally vented gas fuelled equipment does not provide the parts for venting the fuel gases, but identifies "special venting systems," the following requirements shall be satisfied by the manufacturer.
1. The referenced "special venting system" instructions shall be included with the appliance or equipment installation instructions; and
 2. The "special venting systems" shall be Product Approved by the Board, and the instructions for that system shall include a parts list and detailed installation instructions.
- (e) A copy of all installation instructions for all Product Approved side wall horizontally vented gas fuelled equipment, all venting instructions, all parts lists for venting instructions, and/or all venting design instructions shall remain with the appliance or equipment at the completion of the installation.

Fireplace Dimensions

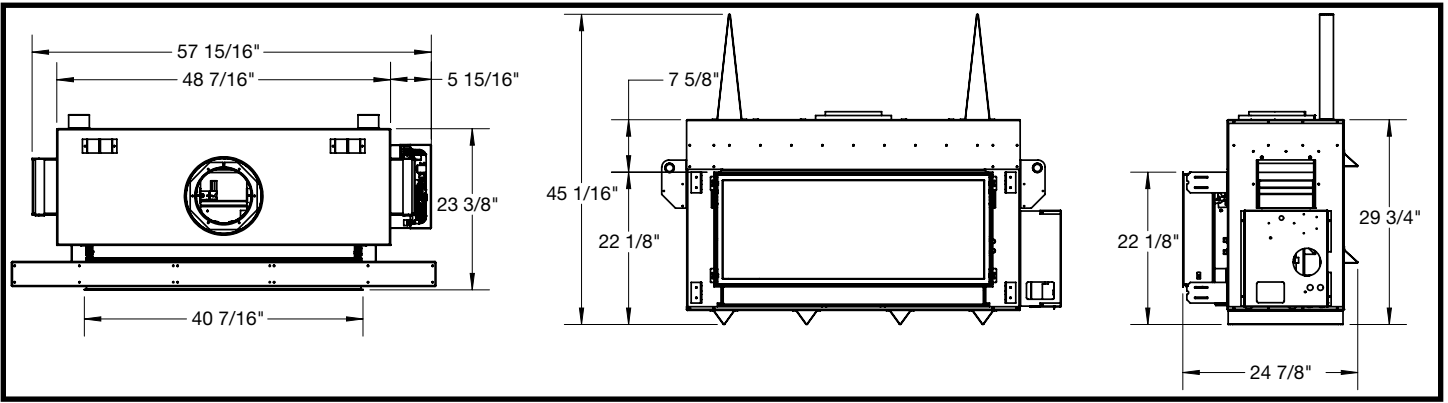


Figure 1: TC38WS Dimensions.

Minimum Clearances to Combustible Material

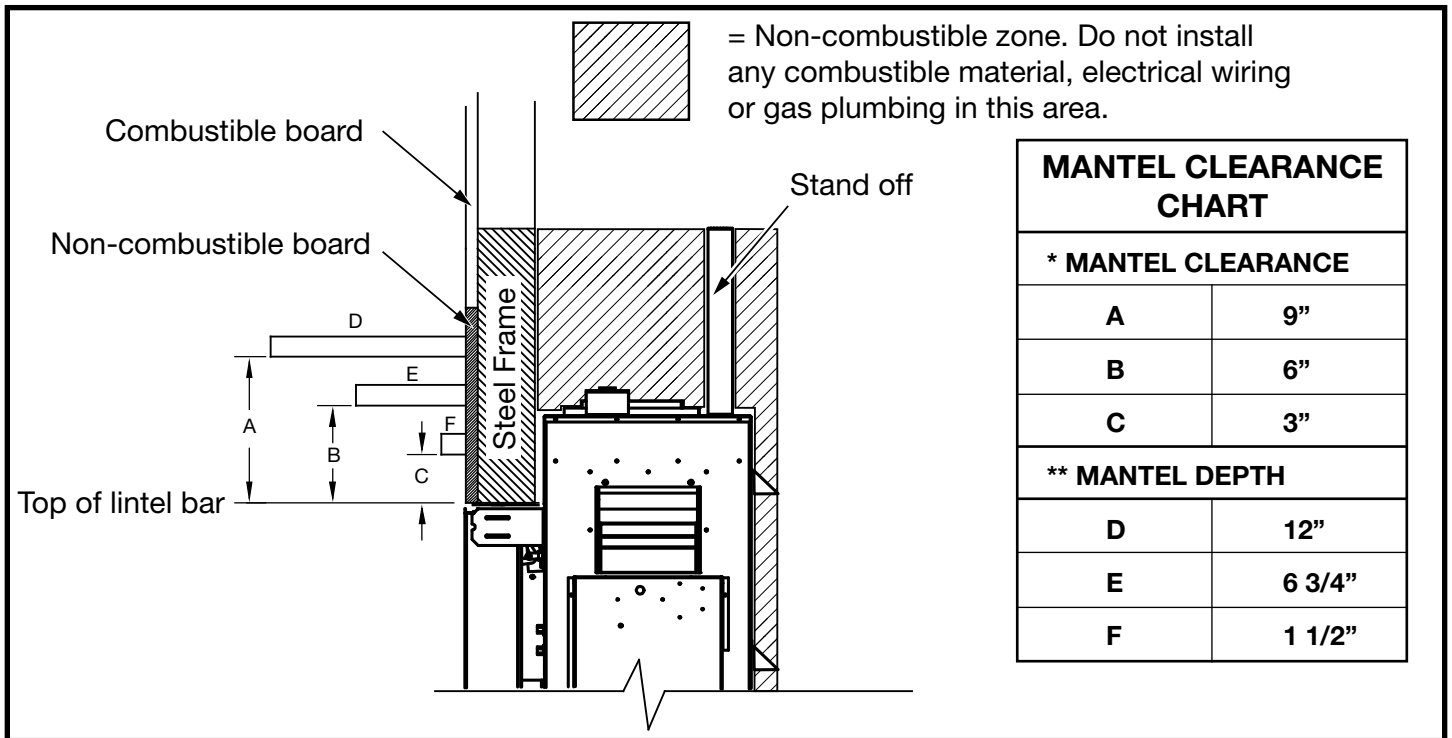


Figure 2: TCWS38 Mantel clearances.

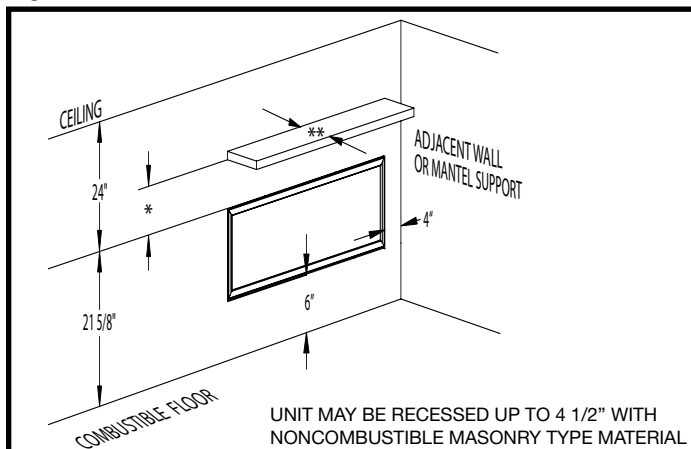


Figure 3: TCWS38 Mantel clearances.

Minimum Clearances:

Side standoffs	0 in.	(0 mm)
Back standoffs	0 in.	(0 mm)
Top standoffs.....	0 in.	(0 mm)
Bottom of appliance.....	0 in.	(0 mm)
Adjacent side wall	4 in.	(102 mm)
Ceiling to appliance.....	24 in.	(610 mm)
*Mantel to appliance	See Figure #2	
**Maximum Mantel extension	See Figure #2	
Mantel support.....	4 in.	(102 mm)
Vent pipe including Elbows	1 3/4" in.	(45 mm)

Installation Requirements

The Town & Country Fireplace installation and venting must conform to the current CAN/CGA-B149 installation code (in Canada) or the current National Fuel Gas Code, ANSI Z223.1 (in the USA), and approved per local codes. Only qualified (licensed or trained) personnel should install this product.

In the state of Massachusetts, only a licensed Plumber and Gas Fitter may install this product.

Manufactured (Mobile) Home

In some jurisdictions, the Town & Country Fireplace may be installed in Manufactured Homes after the "first sale". Consult local codes for approval. The fireplace must be fastened in place.

Install in accordance with the current standard Mobile Homes, CAN/CSA Z240 MH (in CANADA), and the Manufacturer's Home Construction and Safety Standard, Title 24 CFR, Part 3280 or the current Standard for Fire Safety Criteria for Manufactured Home Installations, Sites and Communities ANSI/NFPA 501A (in the USA).

Door Frame Removal

Warning: Turn off the fireplace, and allow ample time for the unit to cool before proceeding.

Caution: The ceramic glass is very fragile, and should be handled with care.

The door frame is held in place by two spring-loaded latches that are operated by a one-piece latch handle.

Remove safety barrier screen (Figure 4) by prying the top portion of the screen toward you, then lift the screen from its tabs (inset) located at the base of the door frame.

1. Remove the TC Finishing Touch Trim Kit from the door frame. (If installed)
2. Using a screwdriver (Figure 5) or other similar object, push against the notch in the top of the latch and grab the bottom of the latch handle as it protrudes (Figure 6). Lift handle until latch hook disengages. Repeat for other side while holding glass so it does not tip out.
3. Tilt the top of the door frame out to clear the top edge of the unit. Grasp the sides of the frame and lift up and out to disengage from its bottom track.
4. Place the door frame in a safe place to avoid damage.
5. Re-assemble in reverse order. Latch handle should snap into place and be flush with door frame when engaged correctly.
6. Reinstall Trim Kit if required.
7. Reinstall safety barrier screen.

TIP:

To ensure glass is properly latched, grasp the top left and right sides of the glass frame, under moderate pressure it should pull forward and return to original position evenly on both sides.

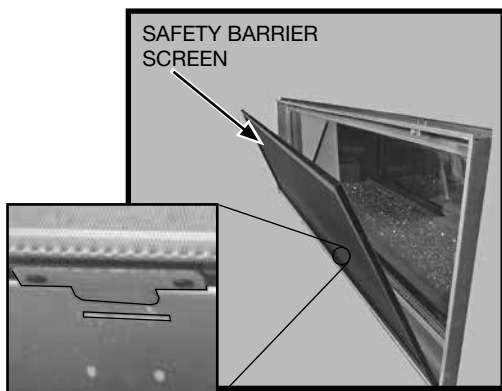


Figure 4: Safety barrier screen.



Figure 5: Accessing handle.

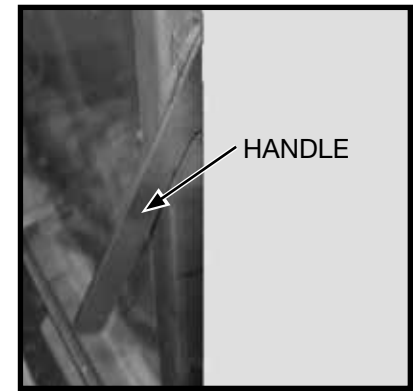


Figure 6: Handle.

Standoffs

The standoffs are shipped loose inside the fireplace and must be installed on the top and the side of the fireplace as shown in Figure 7. Do this once the fireplace is on site and in position.

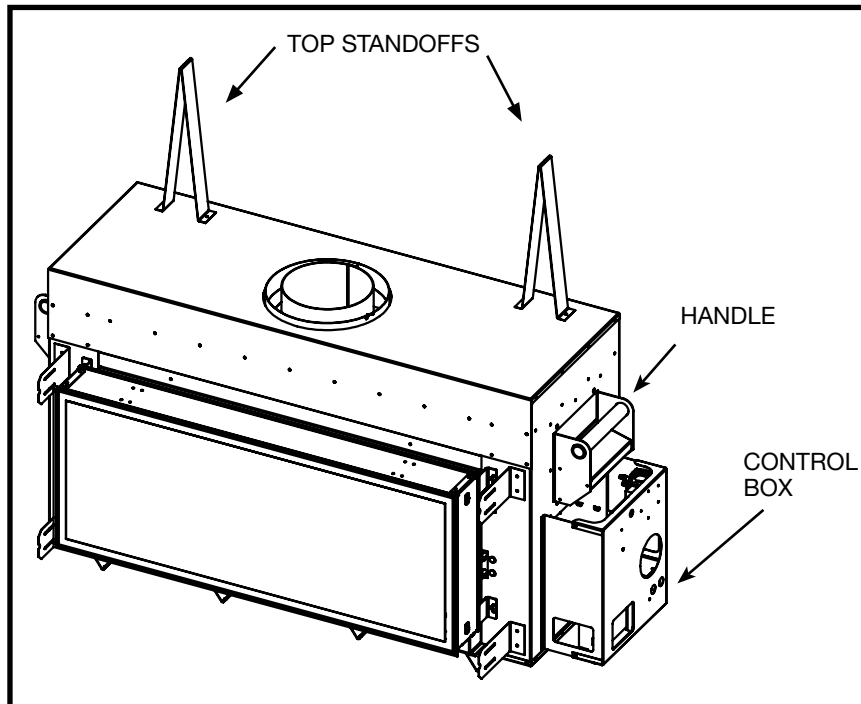


Figure 7: TCWS38D Stand offs

Locating The Fireplace

In planning the installation for the fireplace, it is necessary to determine where the unit is to be installed, location of vent system and where gas supply piping may be plumbed. Various installations are possible, such as, into an existing wall, a corner, a built-in wall or a wall projection (Figure 8). Due to high temperatures, do not locate this fireplace in areas of high traffic or near furniture or draperies.

The minimum clearances from the fireplace to combustible surfaces must be adhered to and are shown in Figure 2 and Figure 3.

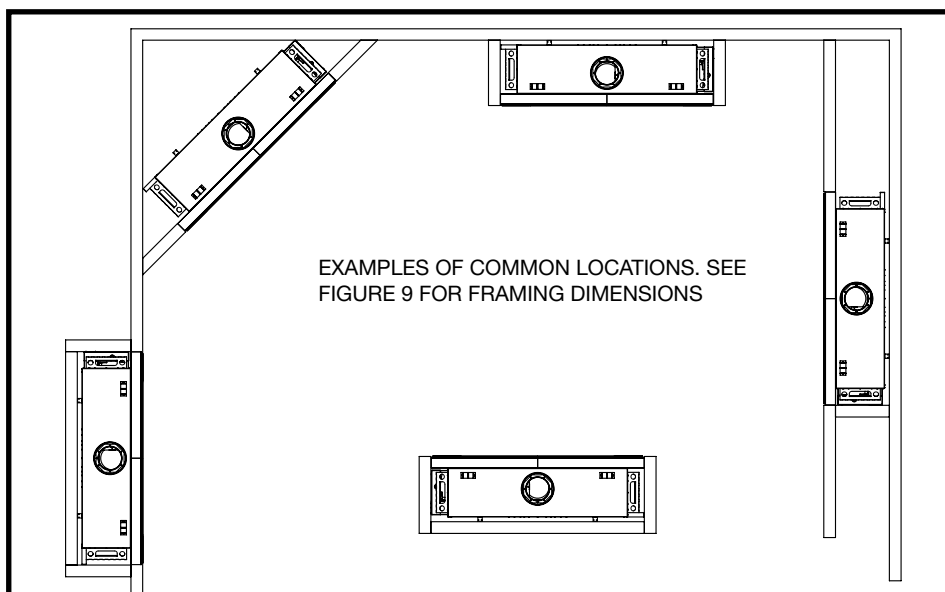


Figure 8: TCWS38D Possible locations.

Framing and Finishing

Note: The fireplace should be in place and venting installed before framing in or building an enclosure around the unit.

The Town & Country fireplace must be framed in as described below or totally enclosed with non-combustible material, such as facing brick.

Determine the total thickness of facing material to be used. A thickness of 3/4" will allow the finishing surface to be flush with the front of the unit. If preferred, additional masonry type non-combustible material can be installed above and to the sides up to 4 1/2 inches proud of the appliance. The finishing material must not interfere with glass frame access or movement.

A Steel Stud Framing Kit is supplied with the fireplace and must be used unless the fireplace is totally enclosed with non-combustible material. Assemble the framing kit as per the instructions on page 12 of this manual. Attach the steel frame to the fireplace once the fireplace is in its final position. Secure the steel frame

to the framing brackets on each side of the unit. Ensure that the studs are set back far enough to allow for thickness of finishing surface.

The sides, back and top of the fireplace can be framed in up to the steel studs and the fireplace standoffs using conventional lumber. Consult local building codes for specific requirements.

Due to high temperatures, non-combustible backer board, such as cement board or its equivalent, must be used to sheet in the front of the fireplace, extending 11 7/8" above and 10 1/8" to the side of the framing edge bars (Figure 10). Standard sheet rock (dry wall) may be used beyond this.

If the backer board is not to be finished with other non-combustible material such as tiles, it is recommended that top sections of the board be a single sheet of calcium silicate board or its equivalent. Taped and mudded joints may crack due to the elevated temperatures. Chase Insulation: When installing this

fireplace against a non-insulated exterior wall or chase, it is recommended that the outer walls be insulated to same degree as other exterior walls. Do not place fireplace directly against the insulation. Cover the insulation and plastic vapour barrier with a solid surface, such as dry wall (sheet rock). Consult local codes. Do not insulate or use plastic vapour barrier within the framing kit.

CAUTION: See "Figure 12" on page 9 BEFORE PROCEEDING.

NOTE:

The chase must be properly sealed at the ceiling level or between floors in a multilevel installation.

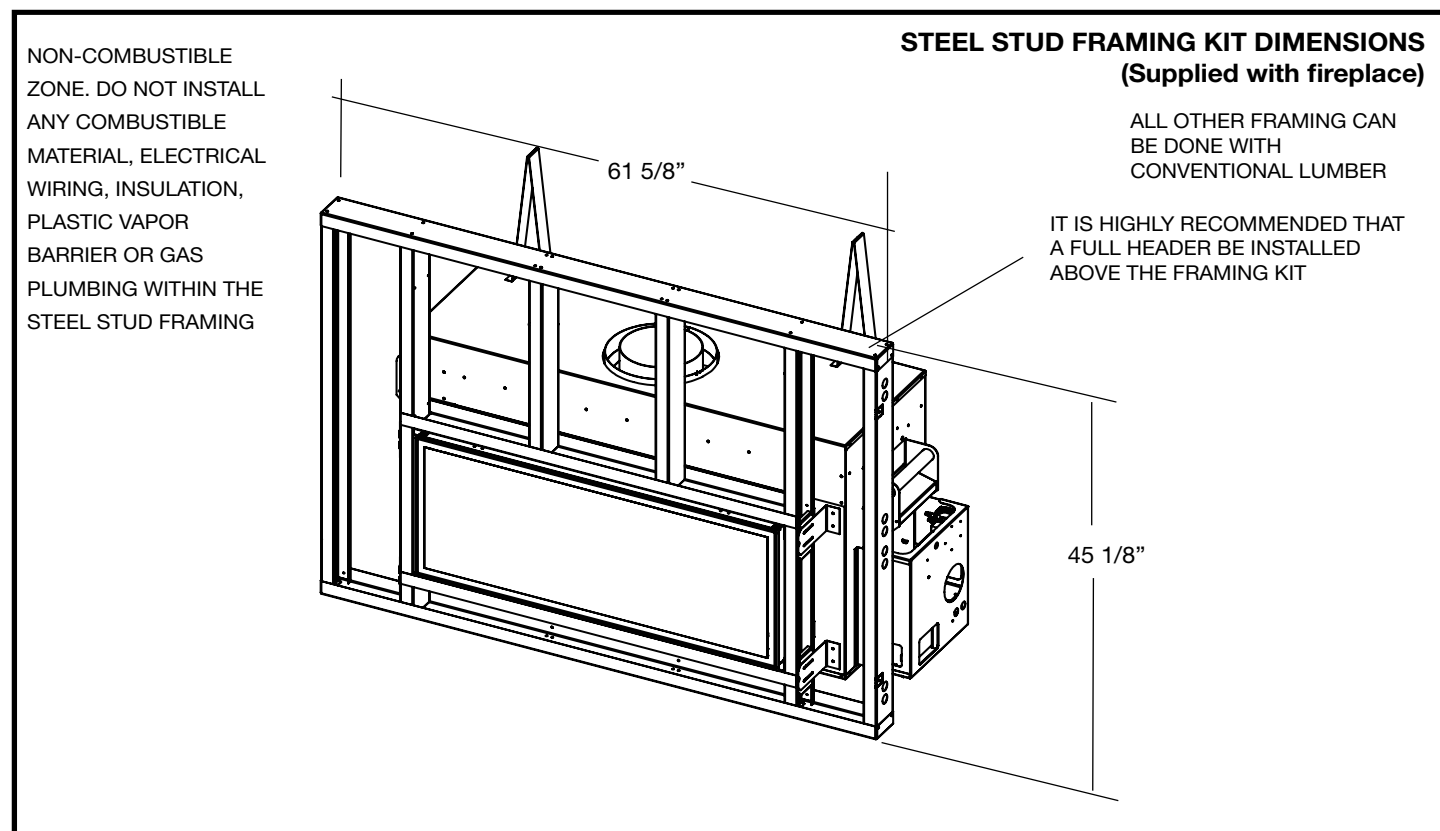


Figure 9: TCWS38D with steel frame

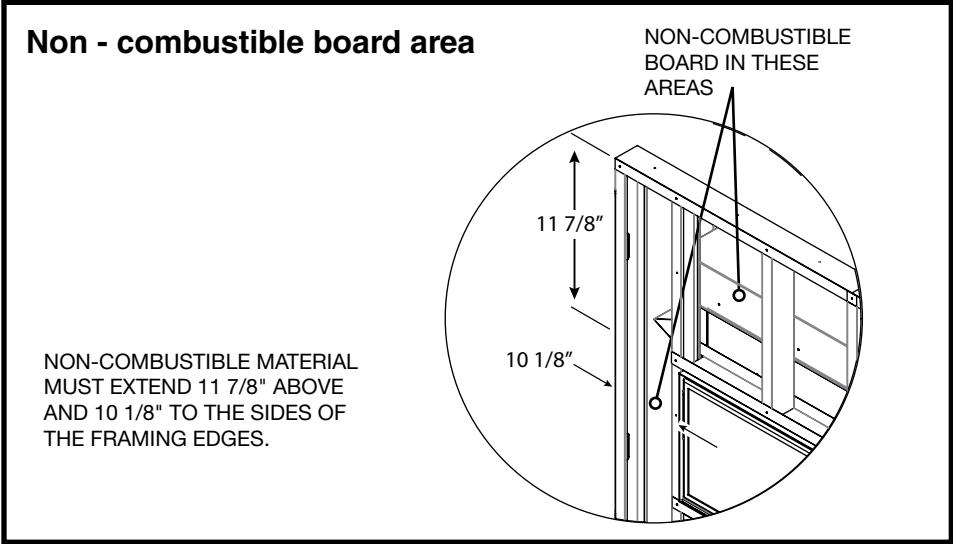


Figure 10: Non-combustible board within frame.

Calcium silicate board

If finishing the wall above the unit with paint, the framing kit shipped with the unit should be discarded. Use full sheets of calcium silicate board or equivalent and full length metal studs to finish and frame around the unit.

Calcium silicate board is a high grade material with cement, quartz and natural minerals as the main raw materials. (Note: Calcium Silicate is 1/2" thick)

CAUTION: Calcium Silicate board can be damaged if dropped or struck. Handle with care. Inspect board prior to installation and do not use if cracked.

NOTE: It is recommended to pre-drill mounting holes in the board prior to securing to the framing. This will prevent the board from cracking.

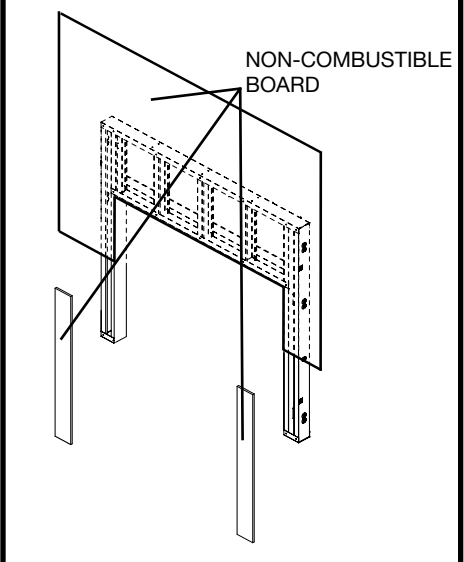


Figure 12: Non-combustible board location.

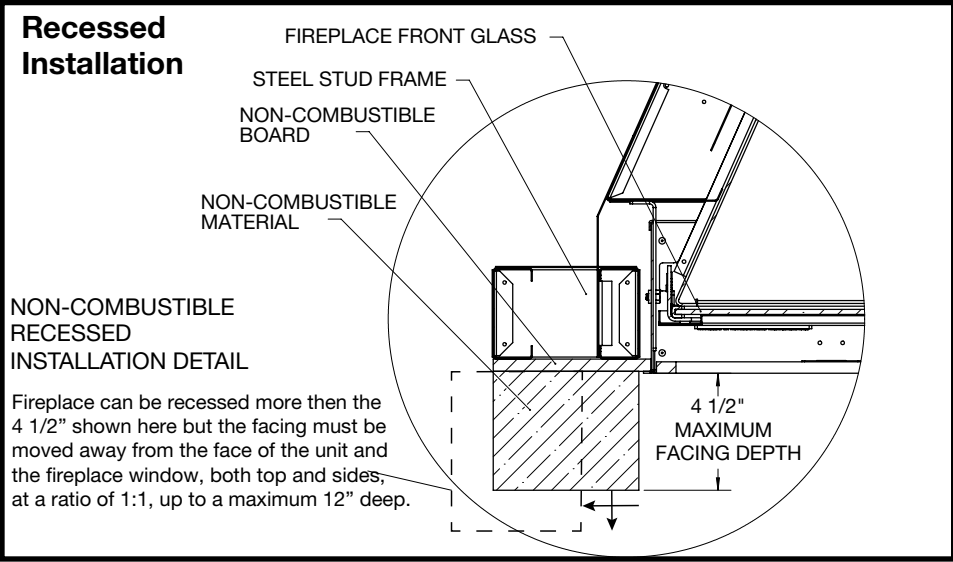


Figure 11: TCWS38D Recessed installation details.

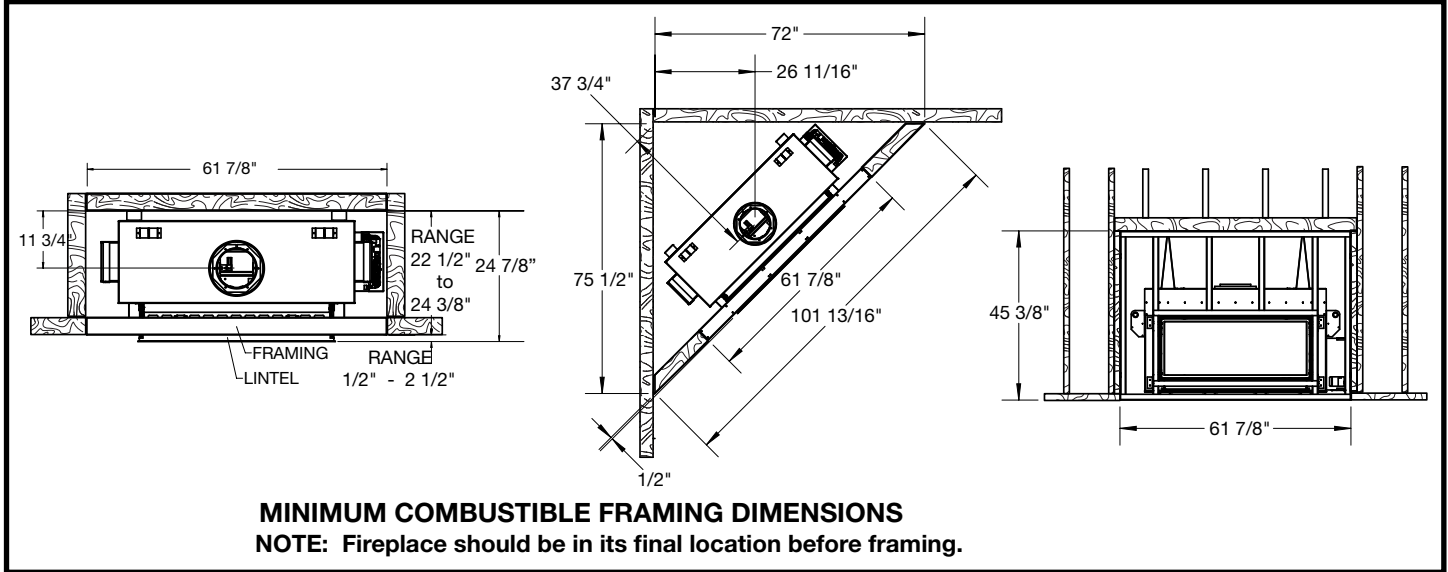


Figure 13: TCWS38D Minimum combustible framing dimensions.

Steel Stud Framing Kit

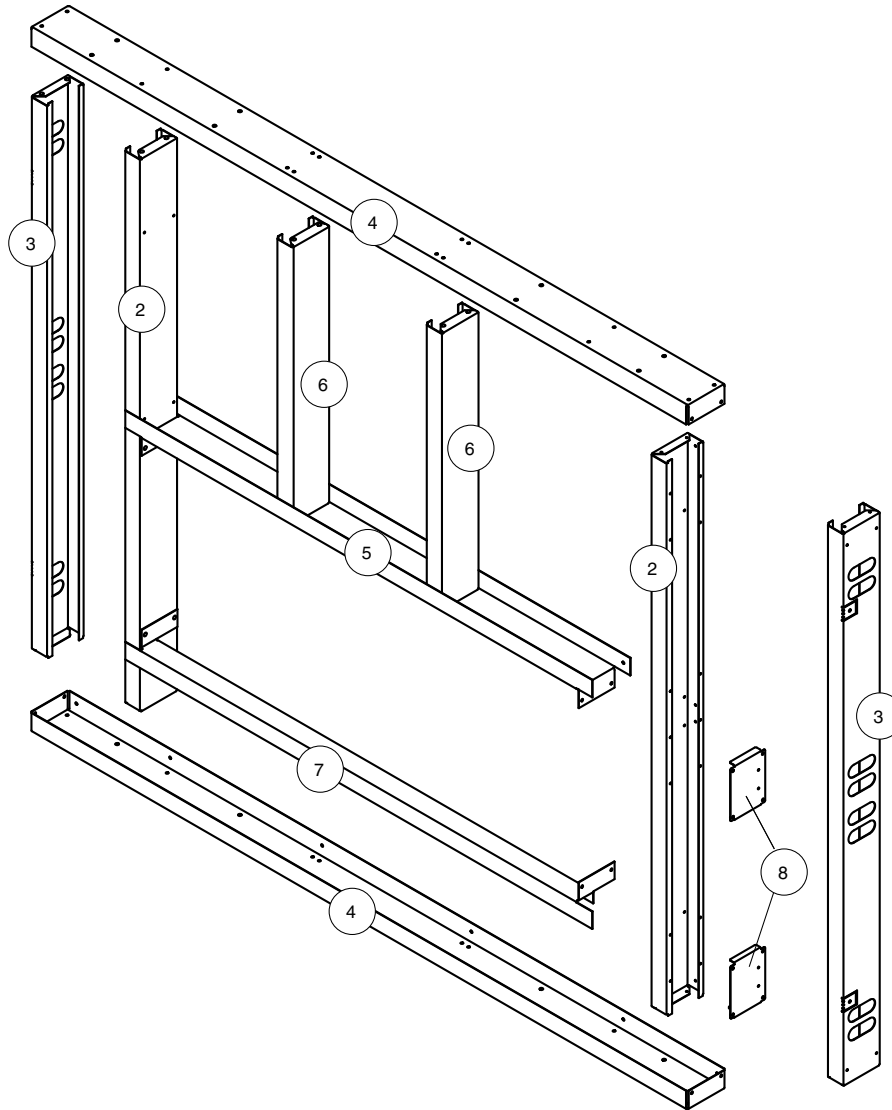


Figure 14: TCWS.38D2 Framing kit parts

Framing Kit Contains:

Item	Description	Qty.
1	SCREW, WAFER #8 x 1/2 (Not shown)	Pkg 40
2	STUD, SIDES 45" L	2
3	STUD, OUTER SIDES 45" L	2
4	STUD, UPPER/LOWER 61 1/2" L	2

Item	Description	Qty.
5	INNER CROSS BRACE 39 3/4" L	1
6	STUD, CENTER 23 1/4" L	2
7	LOWER CROSS BRACE 39 3/4" L	1
8	FRAMING PLATE	4

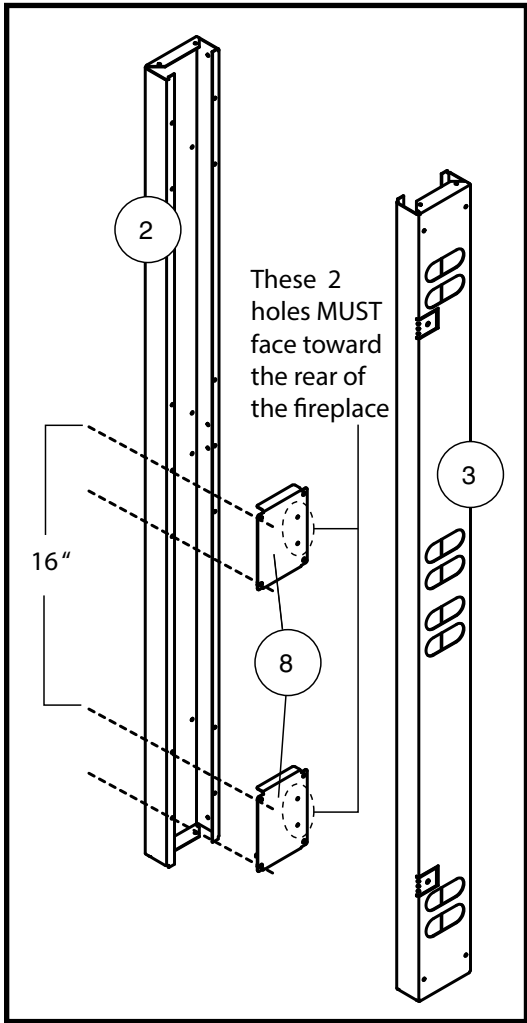


Figure 15: Framing plates

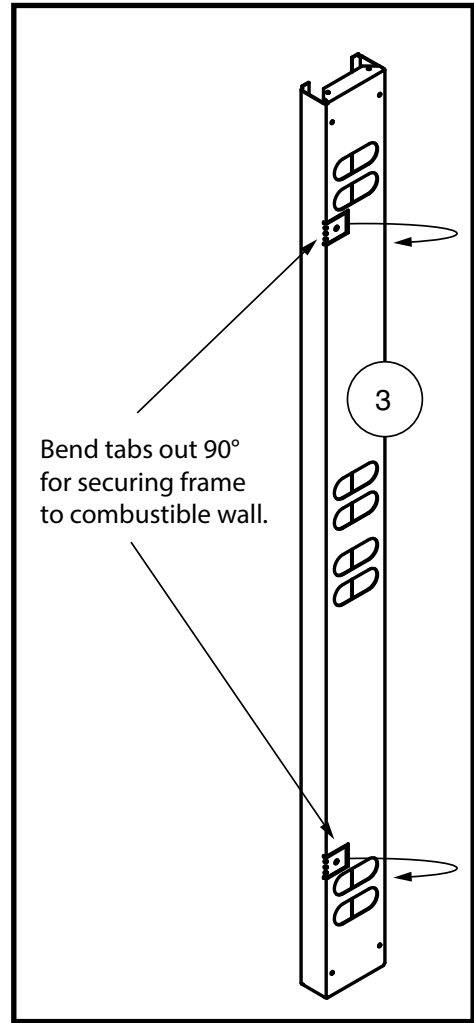


Figure 16: Tabs

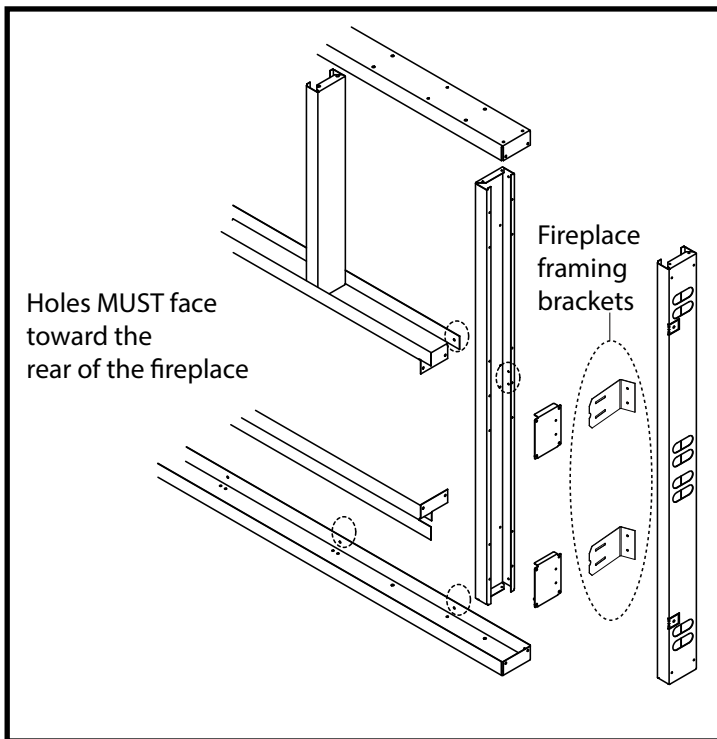


Figure 17: Holes facing to the rear of the fireplace



NOTE: Sheet metal parts have sharp edges, use caution when handling.

Frame Assembly

Special note prior to frame assembly.

The parts of this frame are designed so that once the frame is assembled and attached to the fireplace, the face of the frame will be free of all screw heads protruding outward which would interfere with the facing material being applied to the frame. Care must be taken during assembly so that all holes in the narrow side of the frame parts face toward the rear of the fireplace. Figure 17 shows these holes on side of the frame parts.

Frame assembly instructions.

1. On a large flat surface, lay the parts on their narrow end and with the holes mentioned in the special note above, facing upward. Place 1 upper/lower stud (#4) horizontally. This will become the top-most horizontal stud.
2. Place 2 center studs (#6) perpendicular to, and below the above upper/lower stud. Using the screw holes on the upper/lower stud as a guide, place each center stud approx 8" on either side of the upper/lower stud center point so that they are in-line with the screw holes.
3. Use supplied wafer screws (#1) to join the upper/lower stud (#4) and the center studs (#6) together.
4. Position Inner Cross Brace (#5) horizontally along the bottom ends of the 2 center studs (#6) and fasten with wafer screws to the center-most 2 positions along this cross brace.
5. Position Side Studs (#2) at each end of the assembled frame so that the side studs are perpendicular to the upper/lower stud and inner cross brace.
6. Position the Lower Cross Brace (#7) between the two side studs and about 6" from the lower ends of the side studs. Attach each end of the lower cross brace to the side studs with wafer screws. Position this brace so that the narrow vertical side is facing outward away from the fireplace as shown in Figure 14.
7. Fasten 2 framing plates (#8) to the outside of each of the 2 side studs (Figure 15) beginning with the lower one. There must be 16 inches from the top of the lower plate to the top of the upper plate when done. Make sure that the two holes in each plate face toward the rear of the fireplace (Figure 15 and Figure 17). Also make sure to position the plates so that they line up with the framing brackets on the fireplace (Figure 17).
8. Place and attach the two Outer Side studs (#3) - tab side out (Figure 14 and Figure 16). - at each end of both the top upper/lower stud and bottom upper/lower stud.
9. Finish the frame assembly by attaching the 2nd upper/lower stud (#4) at the bottom of, and perpendicular to the side studs.

Attach the Assembled Frame and fireplace to the combustible framing.

Bend out the tabs 90 degrees before inserting the unit into its framed housing “Bend tab out 90 degrees” (Figure 18).

Attach the assembled framing kit to the Fireplace.

Secure the frame assembly to the wood frame through the tabs (Figure 19).

Install Non-Combustible Board

Use drywall screws, #8, to install the non-combustible board.

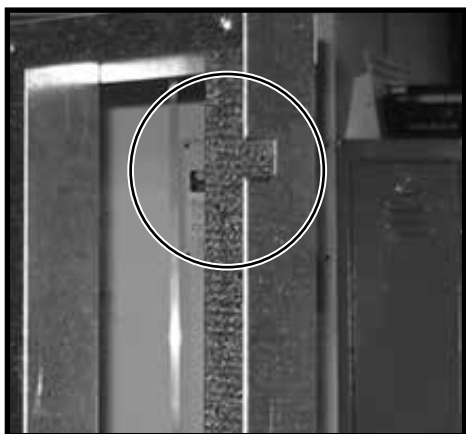


Figure 18: Bend tab out 90 degrees



Figure 19: Attaching metal tab to frame

Fixed Lintel

Framing Kit Adjustment

The lintel on the TCWS38D2 is in a fixed position on the fireplace and there is no adjustment to move the lintel toward you or away from you once the fireplace has been located in its final position. Instead, the fireplace itself must be maneuvered so that the front face of the lintel determines the final position of the fireplace.

The Framing Kit allows for a 1 7/8 inch adjustment along the Framing Brackets. Use this range to help determine the front of the facing material.

The thickness of the facing material, whether 1/2 inch calcium silicate board or a rock facing must be taken into consideration before settling on a final position of the fireplace. “Fireplace Facing Allowance” on page 14.

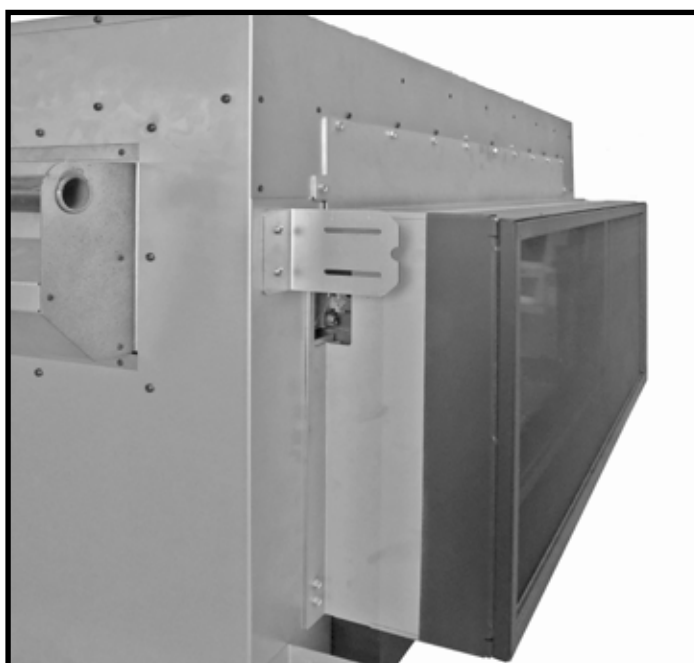


Figure 20: TCWS38D2 Fixed lintel

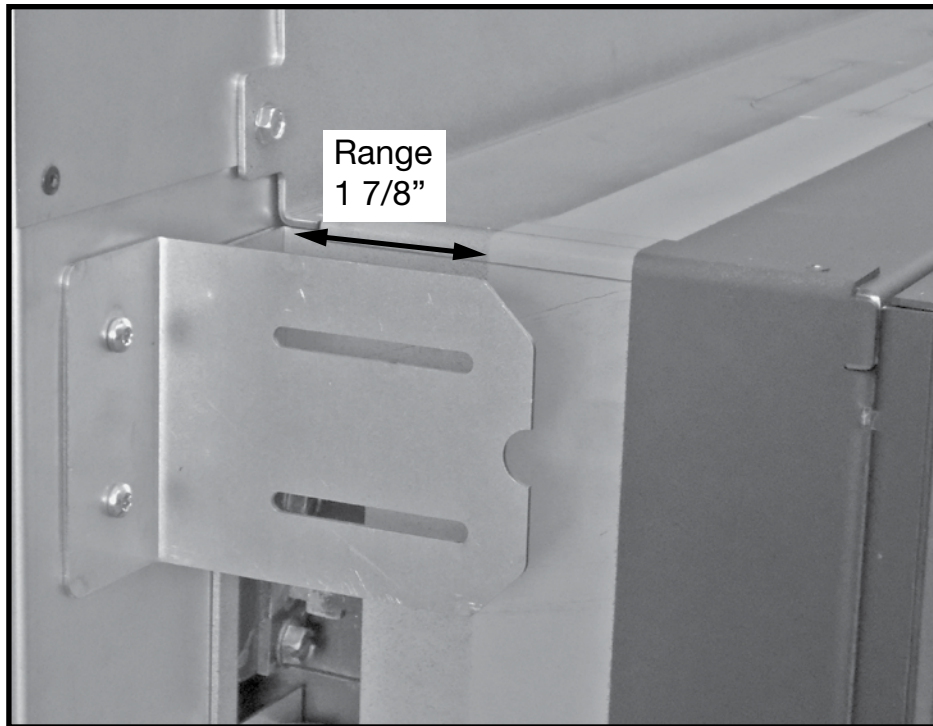


Figure 21: Framing bracket.

Fireplace Facing Allowance

This fireplace is designed to finish either flush with the facing material or can be installed with a 4 1/2 inch recess, see “Figure 11: TCWS38D Recessed installation details.” on page 9.

The fireplace can accommodate facing material thickness from 1/2 of an inch to 2 1/4 inches if installing flush.

Care should be taken to correctly determine the facing material thickness so that the fireplace is positioned so that the front of the fireplace is flush with the facing material.

Facing material must not interfere with the ability for the door or the screen to open.

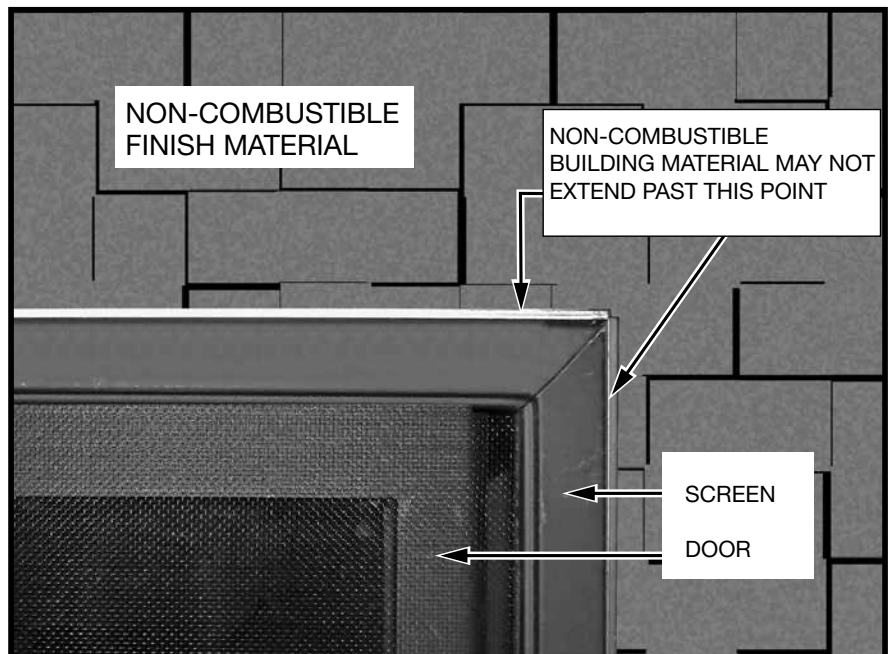


Figure 22: Facing edge location.

Hearth Extension

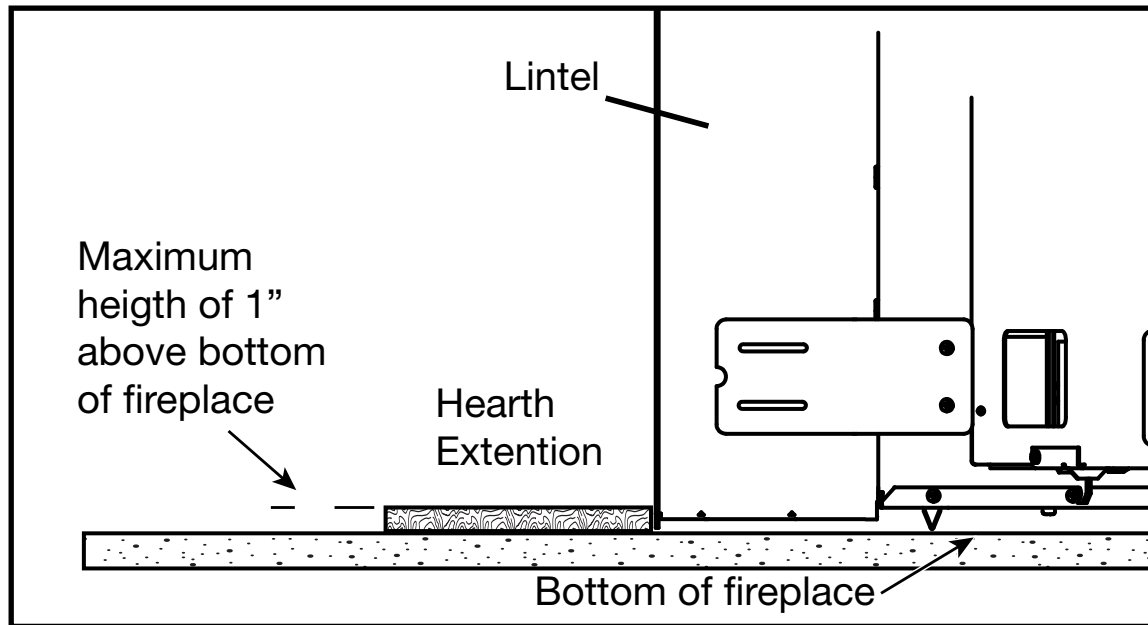


Figure 23: TCWS38D2 Hearth extension.

Caution: While a hearth extension is not required and combustible flooring materials may be brought directly up to the fireplace, many materials (such as wood flooring) may not tolerate the radiant heat from this fireplace, resulting in discoloration, shrinking and cracking. For this reason, we suggest a non-combustible hearth that is no more than 1" above the bottom of the fireplace. If thicker, fireplace must be raised accordingly.

Caution: Hearth extensions thicker than 1" will interfere with the safety screen and door frame when opening.



Electrical

The gas control system is located on the right hand side of the firebox behind an access panel and the decorative firebox panel (if installed). The fireplace is operated via a wall control and a hand held remote control unit.

Note: Installation must be performed by a qualified installer, service agency or gas supplier.

The wall control is connected to the fireplace by a 40 ft. communication cable supplied with the fireplace.

Installation

1. Place the fireplace in the desired location.
2. Remove the door from the fireplace.
3. Remove access panel from right hand side of the firebox (Figure 24).
4. Connect 110 V. AC electrical supply to the wires installed inside the junction box (Figure 25). The fireplace is rated at 110 volts, 60Hz, 0.25A. The optional power vent kit is rated at 115 volts, 60Hz, 1.8A.

The electrical wires can be accessed from both inside and outside the junction box by removing one of the two small access panels (Figure 25 and Figure 26).

5. Attach the wall switch to the framing in the desired location. (40 ft is supplied with fireplace)
6. Route the wall switch control cable (supplied) as required to the wall switch.
7. Attach one end of the wall switch control cable to the wall control (Figure 28), and the other end to the interface board (Figure 26).
8. Insert the 4 supplied "AA" batteries into the battery pack of the wall switch (Figure 29).
9. If not already installed, install the burner using the instructions supplied with the burner kit.
10. Turn on the gas supply and check that all connections are tight and leak free.
11. Turn on gas and electrical supplies.

FIREBOX ACCESS PANEL



Figure 24: Firebox access panel.

JUNCTION BOX

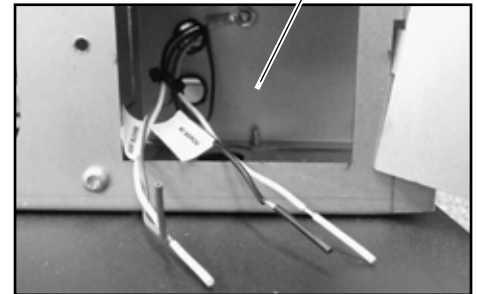


Figure 25: Junction box wiring

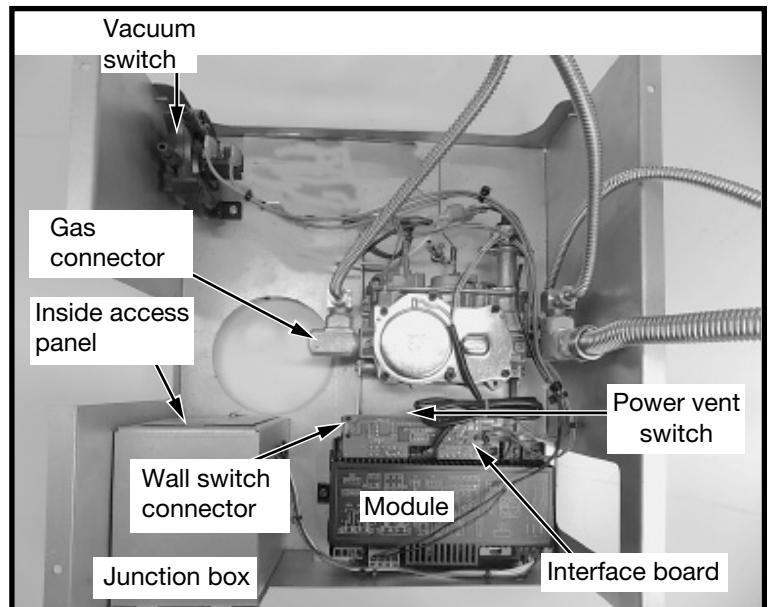


Figure 26: Valve assembly components

Wall Switch and Remote Control



Figure 27: Town & Country wall switch

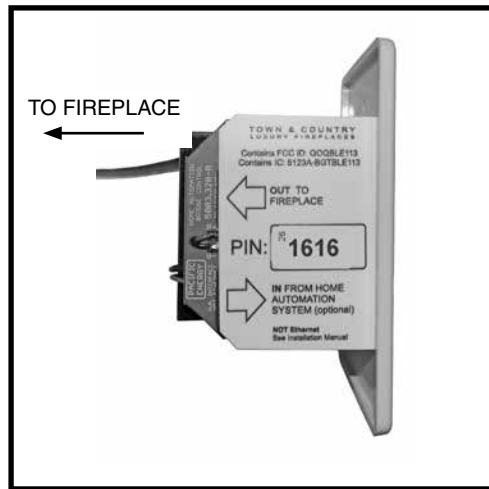


Figure 28: Wall switch - interface side

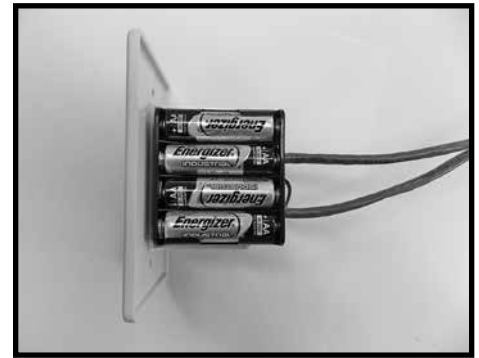


Figure 29: Wall switch - battery side.

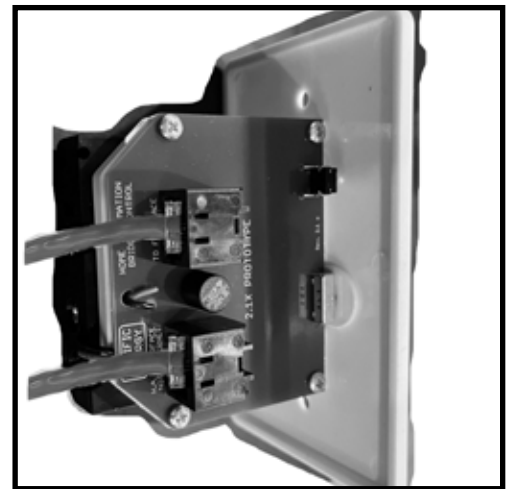


Figure 30: Basic Wall switch - Interface side.

Instructions for linking the wall switch to the remote control handset can be found page 39(Bluetooth Wall Switch) and page 40 (Basic Wall Switch) of this manual and in the User manual that came with this Fireplace.

If the wall switch is being connected to a Home Automation system, two cables will be used; the top cable will go from the wall switch to the fireplace and the bottom cable will go from, the wall switch to the Home Automation system Figure 30 .

If not using a Home Automation system, only the upper cable will be used to go from the wall switch to the fireplace Figure 28.

— Wall Switch to IFC Communication Cable Continuity Check —

It is important that the continuity of the individual wires encased within the communication cable be checked before the cable is plugged into both the wall switch and the IFC Module. This will ensure that the cable is in good condition before the cable is walled in or otherwise covered up. Provided that no staples, screws or nails accidentally impale the cable during the walling up process, or any cables have otherwise been cut, the cable itself will be able to be ruled out as a possible cause should trouble shooting the wall switch be required.

———— Selecting Natural Vent and Power Vent Modes ————

The NV / PV (Natural Vent / Power Vent) switch (Figure 31) on the interface board (Figure 26) is set according to which type of evacuating vent system is present. If the fireplace is vented without the assistance of a power vent, the switch must be set to “NV”. If using a power vent, “PV” must be selected.

Follow the instructions provided with the power vent kit for proper installation.

Important Note:

When switching between PV and NV, the electrical power supply to the fireplace must be turned off and the backup batteries removed to properly re-set the module

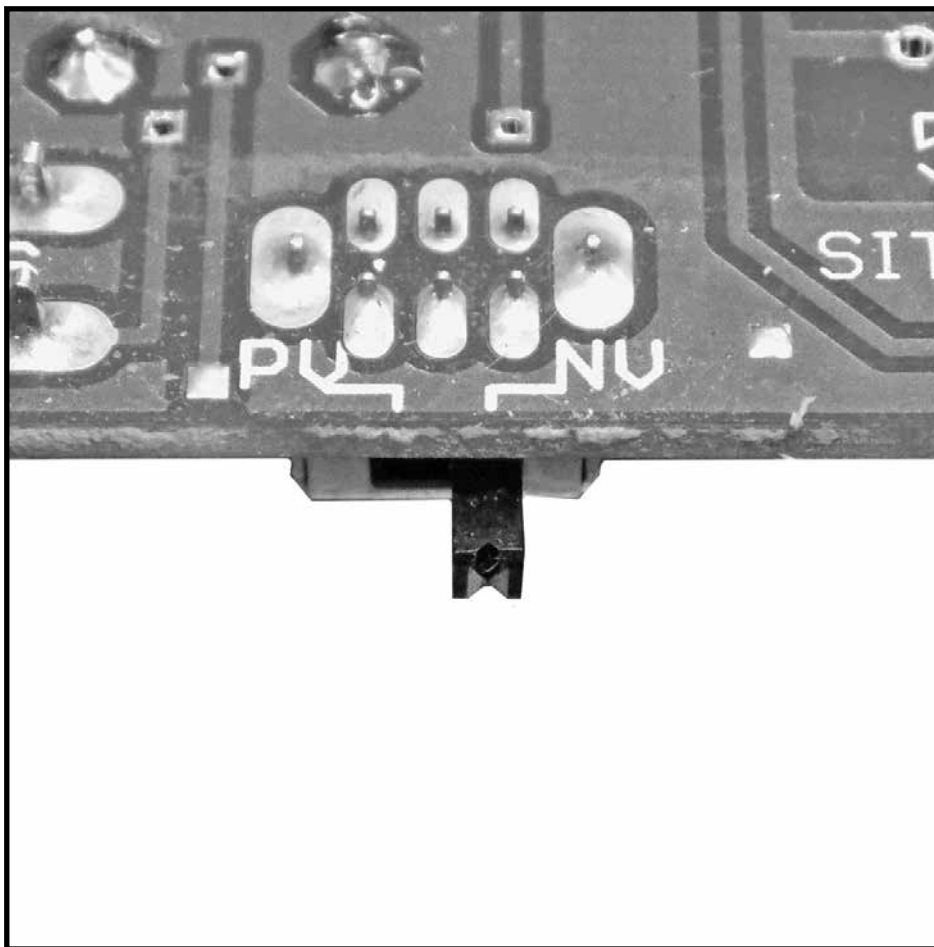


Figure 31: Vent mode selection switch.

Home Automation

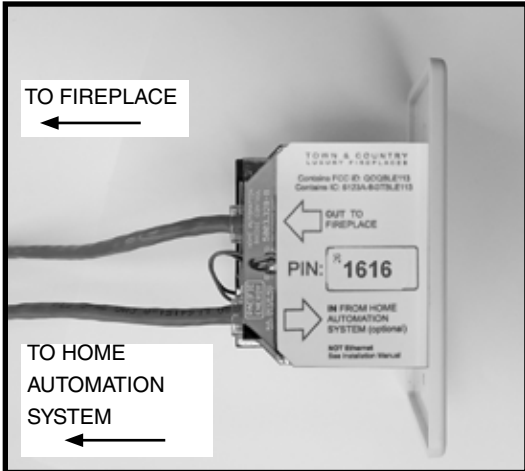


Figure 32: Complete communication wiring

The home automation feature supplied with this fireplace is capable of controlling the flame and light on/off function with the use of a dry contact relay common to home automation systems. Furthermore, the flame and light level may be modulated from high to low using the 0 - 10 volt analog output available on most home automation systems.

Figure 33 shows the wire designations required to connect the fireplace to a home automation system.

NOTE:

- When a signal has been supplied by the home automation system, the fireplace control will repeat the signal every 2 hours or until a new command has been received.
- Leave the wall switch on the “Remote” setting when using home automation.

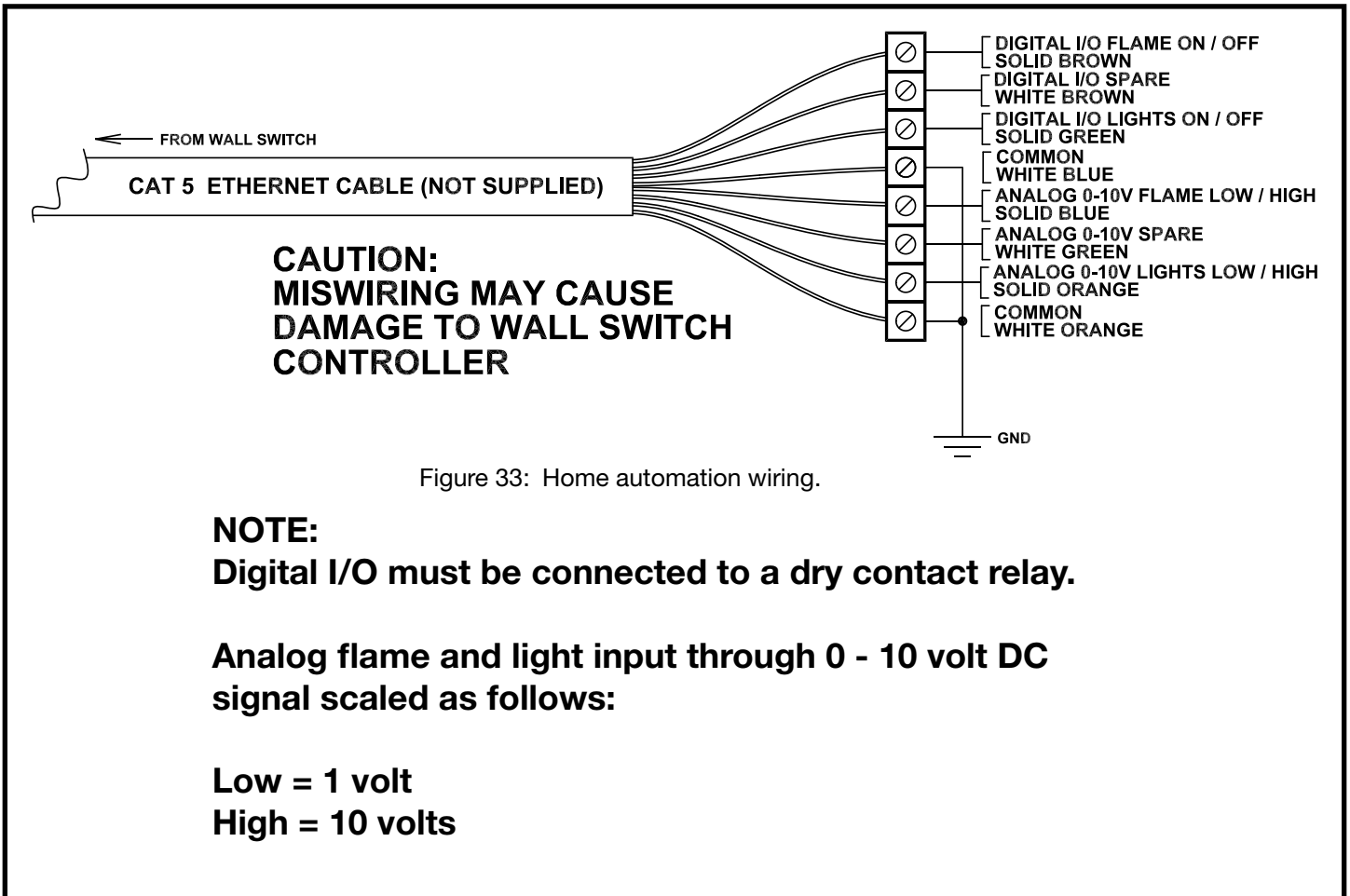


Figure 33: Home automation wiring.

NOTE:

Digital I/O must be connected to a dry contact relay.

Analog flame and light input through 0 - 10 volt DC signal scaled as follows:

Low = 1 volt
High = 10 volts

Gas Supply / Connections

CAUTION: The gas line should be installed by a qualified service person in accordance with all building codes. This section is intended as a guide for qualified technicians installing this appliance. Consult local and / or national building codes before proceeding.

Gas supply line access holes are located at the top and left sides of the Control Box. Gas valve inlet accepts a 3/8" N.P.T. fitting. Correct gas line diameter must be used to assure proper operation and pressure.

NOTE: A sediment trap, as per national fuel gas code, must be installed in the gas supply line no more than 6 feet from the gas control valve to minimize the possibility of any loose scale or dirt within the gas supply line from entering the control valve.

DO NOT HARD PIPE GAS LINE TO VALVE. A method of disconnecting the valve from the gas line such as a union or flare fitting must be provided to allow for repair or replacement of the gas valve.

Check local codes for additional requirements.

1. Connect the gas supply to the valve (Figure 26).
2. Turn on the gas supply and check that all connections are tight and leak free.

WARNING: The access panel including gasket must be reinstalled after conversion/installation or servicing has been completed. Failure to do so will cause overheating and premature failure of the control system.

Gas Pressure Check

Note: To test the gas pressure, turn off the gas supply before removing the plug from the supply pressure test port or manifold pressure test port.

Verify gas pressures with the fireplace lit and on the highest setting.

Please refer to the Burner Installation Manual for gas pressure testing procedure.

Correct gas pressure requirement:			
	Natural Gas	Propane	
Min. Pressure <small>(For purpose of input adjustment)</small>	5.0" WC	12.5" WC	
Max. Pressure	13.9" WC	13.9" WC	
Manifold Pressure			
Maximum	3.5" WC	10" WC	
Minimum	1.6" WC	6.4" WC	

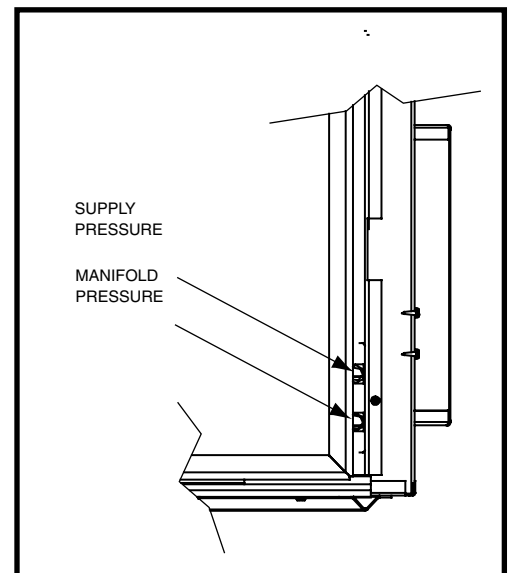


Figure 34: Test ports.

Venting

Before installing venting for this unit, the installer should read these instructions to insure that the proper vent configuration has been selected.

Use only Town and Country Termination kits #:

22270012 - Wall Termination Kit

22270010 - Roof Termination Kit

Vent system components approved for use with the Town and Country Fireplace are shown in "Town & Country approved vent system components" on page 22.

NOTE: Optional Power Vents (22270003, 22270004 & 22270013) require different venting. Please refer to Power Vent manuals.

Various combinations of vertical and horizontal runs may be used. Refer to Figure 38 & Figure 39 for details. For optimum performance and flame appearance, keep the vent length to a minimum and limit the number of elbows. Connections between each vent system component must be tightly joined, secured with sheet metal screws and sealed with provided high temperature self adhesive tape. A horizontal run of vent should have a 1/4" rise for every 1 ft. of run towards the termination.

CAUTION: UNDER NO CONDITION SHOULD COMBUSTIBLE MATERIAL BE CLOSER THAN 1 3/4 INCHES FROM THE TOP AND 1 3/4 INCHES FROM THE SIDES OF A HORIZONTAL SECTION AND 1 3/4 INCHES FROM THE VERTICAL SECTIONS OF THE VENT PIPE.

Wall Termination Venting

Exterior wall opening:

Determine the exact position of the fireplace so that the vent pipe is centered (if possible) between two building framing members. Consult your local building codes prior to proceeding. The vent kit will accommodate up to a maximum wall thickness of 12 inches.

- Having determined the position of the fireplace, cut and frame a 14 1/2 inch opening centered at a minimum height of 84 1/2 inches above the floor. The opening may be round or square. Height of the opening will vary with each installation. As the horizontal vent run increases, so does the minimum vertical rise - See Figure 37.

IMPORTANT: When locating the opening, it should be noted that vent terminal clearances must be maintained - See "Vent Terminal Minimum Clearances" on page 28 for proper clearances.

A minimum 4 foot length of pipe is required off the top of the fireplace for any wall termination. With this minimum vertical rise in combination with a 90° elbow, a maximum horizontal run of 20 ft. is permitted - See Figure 38 & Figure 39. The rise and run must be constrained to the boundaries of the chart shown in Figure 39. The horizontal run of vent must have a 1/4" rise for every 1 ft. of run towards the termination.

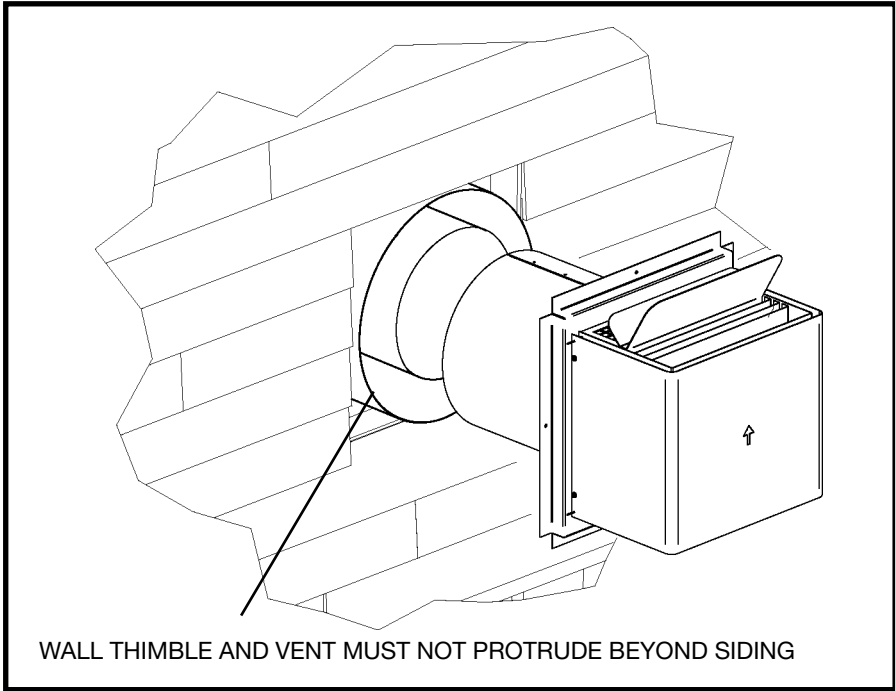


Figure 35: Wall vent terminal

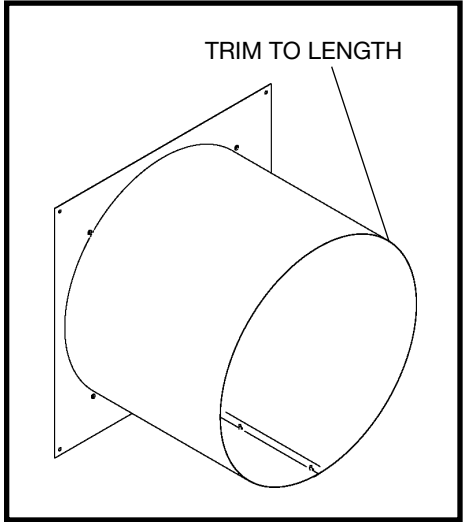


Figure 36: Thimble.

Wall thimble:

Where a vent pipe passes through a combustible wall, a wall thimble/shield must be used to retain insulation and maintain proper clearances. The wall thimble may be cut to length for various wall thicknesses up to 12" thick.

Measure the wall thickness including the siding. Trim the shield to match the wall thickness. Position the wall thimble from inside through the 14-1/2" opening. Properly adjusted, the thimble should be flush with the outer wall surface.

Town & Country approved vent system components	
12" Pipe Length	22220006
18" Pipe Length	22220007
24" Pipe Length	22220008
48" Pipe Length	22220010
12" Adjustable Pipe Length	22220005
45° Elbow	22220009
90° Elbow	22220011
Wall/Offset Support	22220012
Wall Termination Kit	22270012
Roof Termination Kit	22270010
Wall Shield/Ceiling Firestop	22270011
Roof Flashing, Adjustable	22220002
Roof Flashing, Flat	22220003
Roof Flashing, Steep	22220004
	or any flashing that fits 11" pipe

Vent pipe:

Install vent pipe through the wall thimble and attach to flue outlet collar on top of the fireplace. Secure all joints with screws and seal with approved "High Temp." self-adhesive aluminum tape provided.

Adjust the venting so that the vent pipe does not protrude beyond the outer wall.

Wall vent terminal:

1. Engage the terminal with the vent pipe and slide terminal into place. Ensure that both inner and outer pipes are fully engaged and then attach the terminal to the outside wall. The vent terminal must not be recessed into the exterior wall or siding.
2. Caulk in place to prevent any moisture entering the building.

NOTE: MINIMUM CLEARANCES TO THE VENT TERMINAL MUST BE MAINTAINED. See Figure 432.

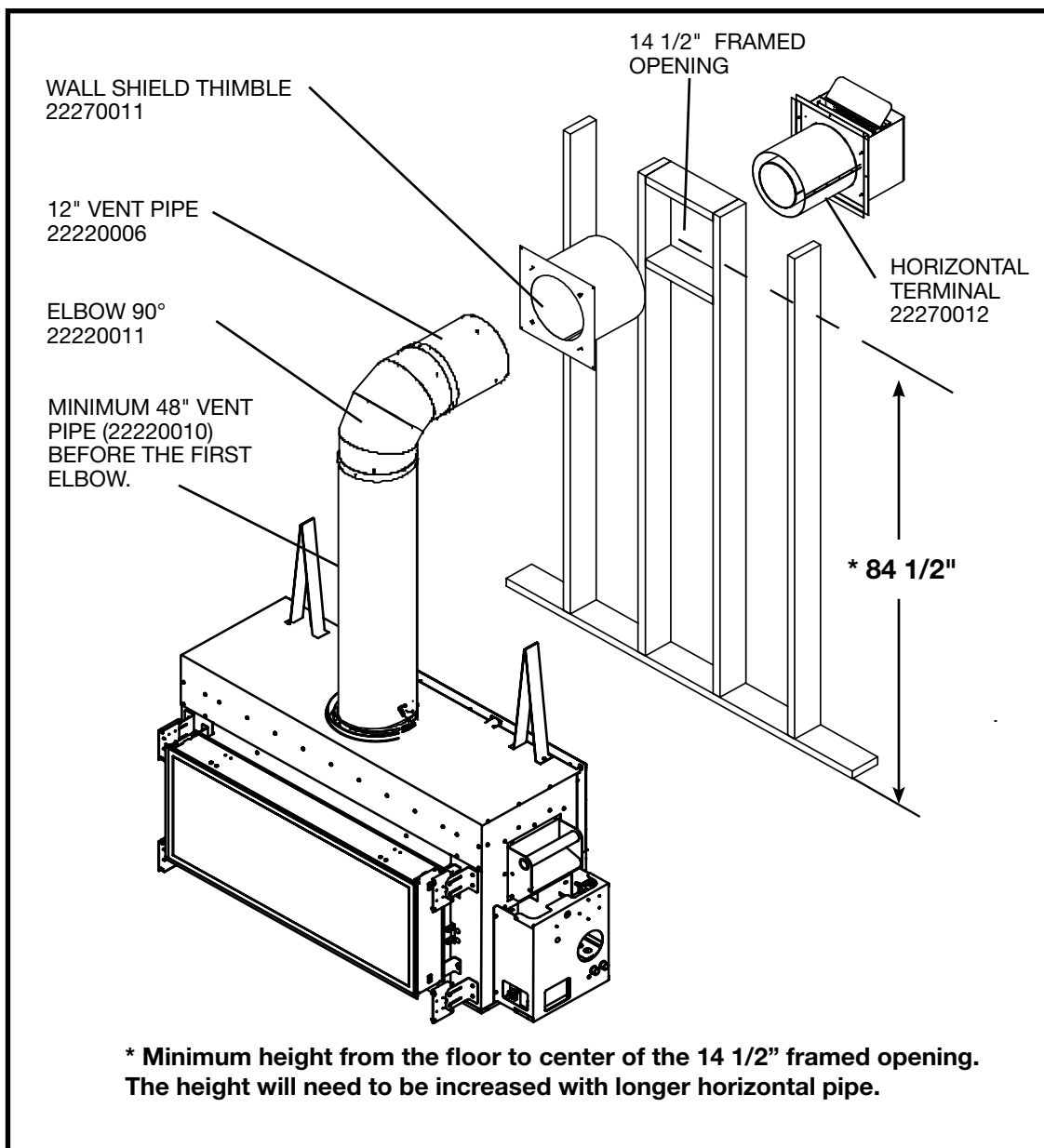
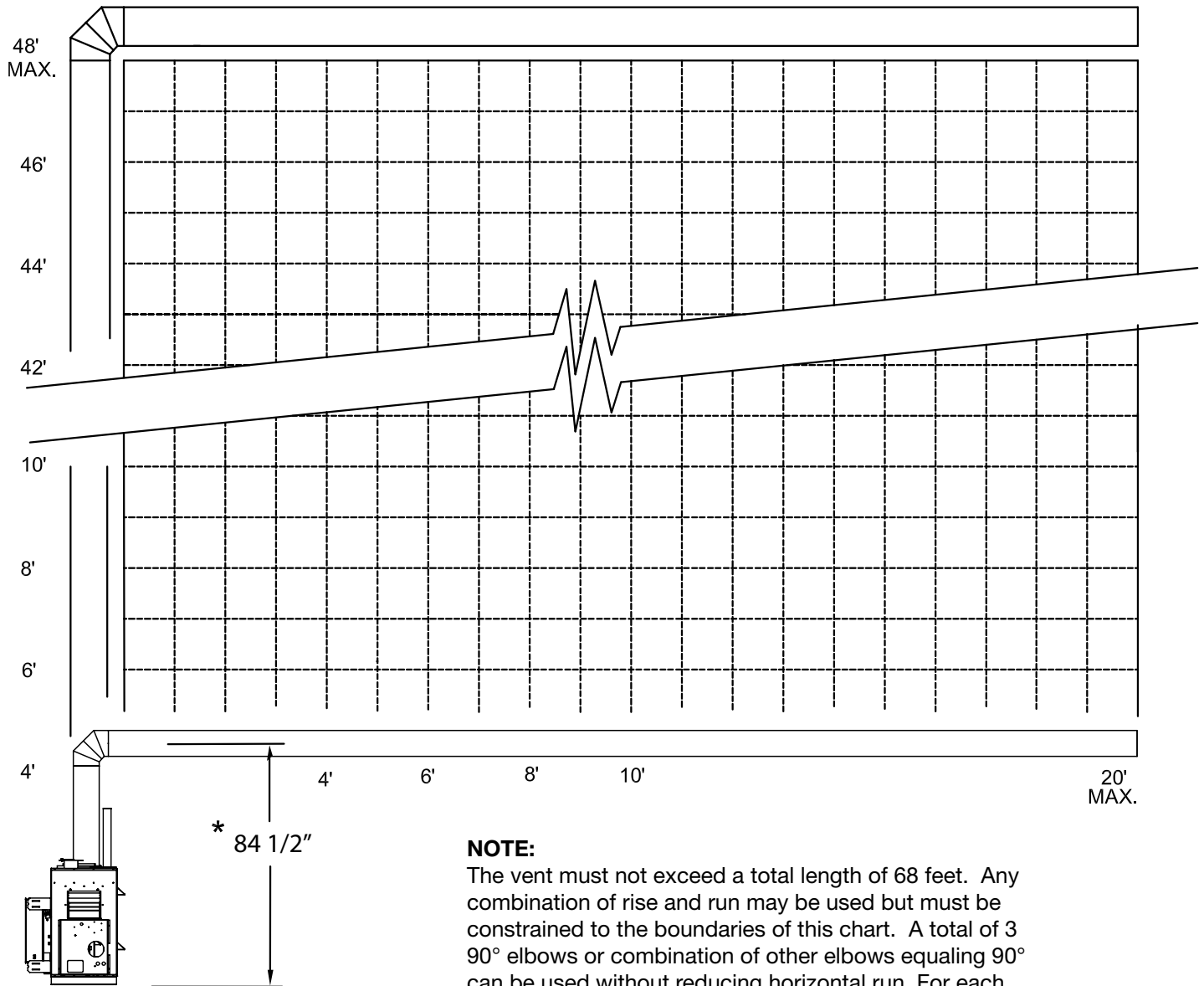


Figure 37: Wall vent terminal framing.

Wall Termination Venting Chart

** All dimensions are approximate. Both rise and run may vary with different combinations of pipe.



NOTE:

The vent must not exceed a total length of 68 feet. Any combination of rise and run may be used but must be constrained to the boundaries of this chart. A total of 3 90° elbows or combination of other elbows equaling 90° can be used without reducing horizontal run. For each additional 90° elbow, or an equal combination of elbows, reduce horizontal vent run by 2 feet. Ensure vent pipe is properly supported.

Figure 38: Horizontal Rise/Run chart

Roof Termination Venting Chart

** All dimensions are approximate. Both rise and run may vary with different combinations of pipe.

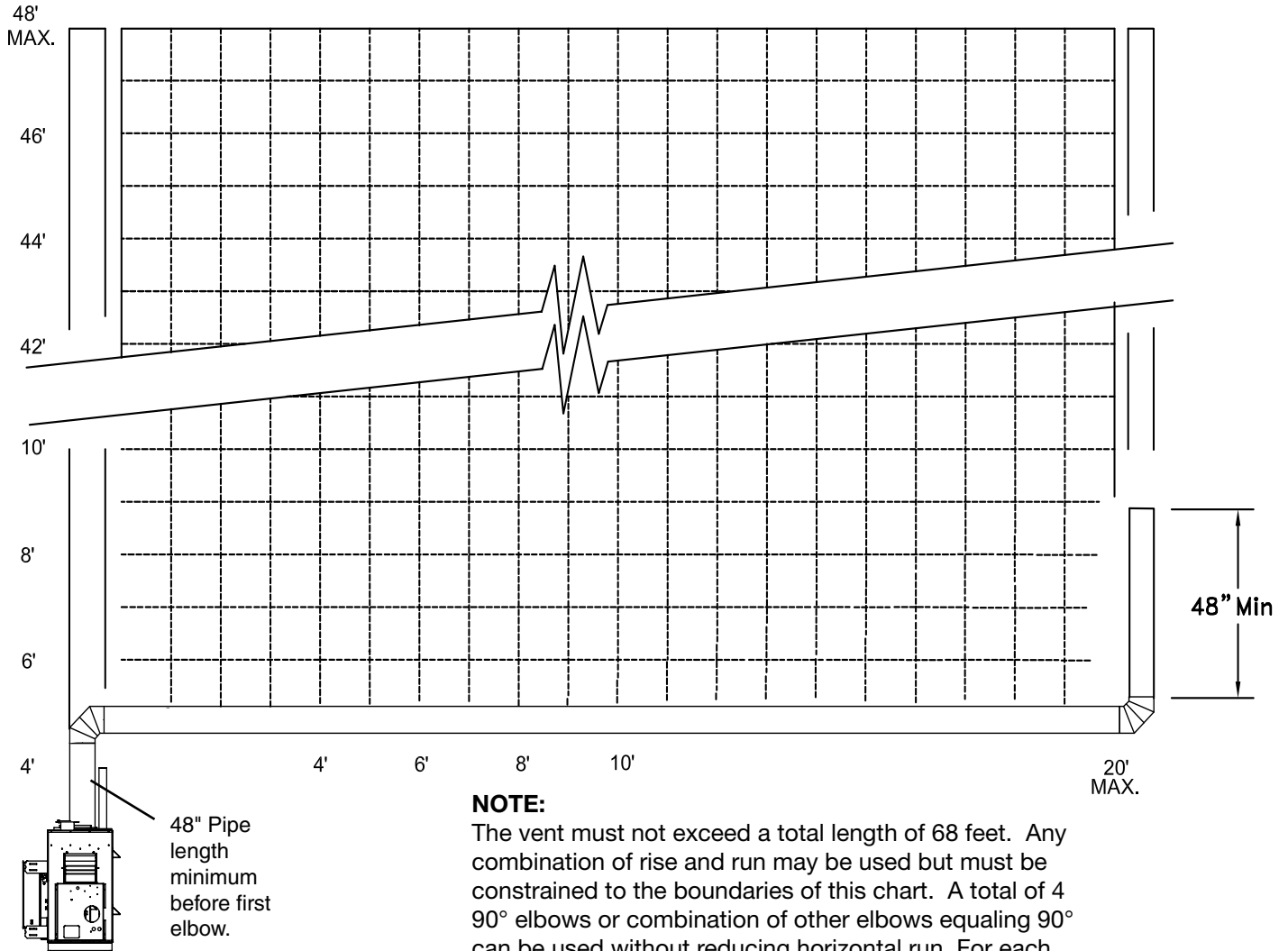
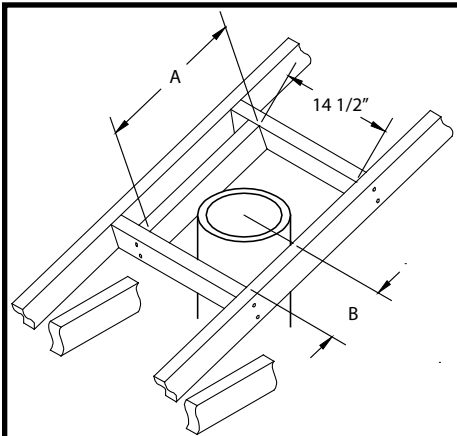


Figure 39: Vertical Rise/Run chart

Roof Termination Venting



Size of the opening will have to increase with the pitch of the roof to ensure a 1 3/4" inch air space clearance between vent pipe and combustibles.

Roof Pitch	A	B
0/12	14 1/2"	7 1/4"
4/12	16 1/2"	8 3/4"
6/12	18"	10"
8/12	19 3/4"	11"
12/12	24"	13 3/4"

Figure 40: Roof opening frame

Ceiling Opening:

1. Determine the exact position of the fireplace so that the vent pipe is centered (if possible) between two building framing members. Lay out the vent system path, minimizing the number of elbows and length of vent. Consult your local building codes prior to proceeding.
2. Cut and frame a 14 1/2" opening in the floor, ceiling or roof where the vent system will pass. Size of the opening in the roof may need to be increased as the pitch of the roof increases. Avoid cutting rafters.

Ceiling Firestop:

Where a vent pipe passes through a floor or ceiling, a ceiling firestop (TCVT.THIMA) must be used to retain insulation and maintain proper clearances.

From below, push the ceiling firestop through the opening and secure in place. If the firestop is used to penetrate a floor, the outer shield may be trimmed in length. If the firestop penetrates into an attic, leave the shield full length to keep insulation away from the vent pipe. (Attic Insulation Shield may be required. SKU #22270029, page 32). Additionally, after the vent pipe is in place, install a storm collar on top of the shield. This will prevent loose insulation from falling into the area between the vent pipe and the shield.

Vent Pipe:

1. Install the first section of vent pipe into the collar on top of the fireplace. Secure in place with screws and seal with approved "High Temperature" self-adhesive aluminum tape provided.
2. Continue adding vent pipe lengths up and through the firestop(s) and through the roof. The vent pipe must extend at least 12" above the roof. Vent pipe may need to extend further depending on the roof pitch. See Figure 40 for precise lengths.

Seal the vent pipe as per (Figure 45).

Roof Support Bracket:

Slip the roof support bracket down over the vent pipe. Rotate the 90° brackets to accommodate roof pitch. Attach the brackets to the roof joists with nails or building screws. Tighten the band around the vent pipe and secure in place with screws.

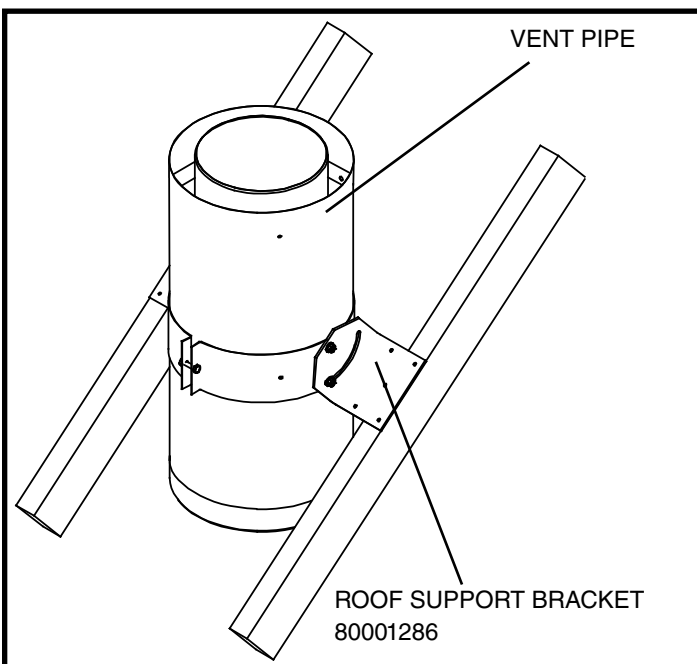


Figure 41: Roof support bracket

Roof Vent Terminal:

Place the roof flashing over top of the vent pipe and seal it to the roof using the methods and materials appropriate for the type of roof on the building. Shingle roof example shown (Figure 42).

Place the storm collar down over the vent pipe until it is level. Tighten storm collar for a snug fit. Apply a thick horizontal ring of mastic around the pipe at top of the storm collar.

Lower the roof vent terminal cap over the vent pipe and secure in place with screws provided. Seal screw heads and joint with caulking to prevent any moisture entering the venting system.

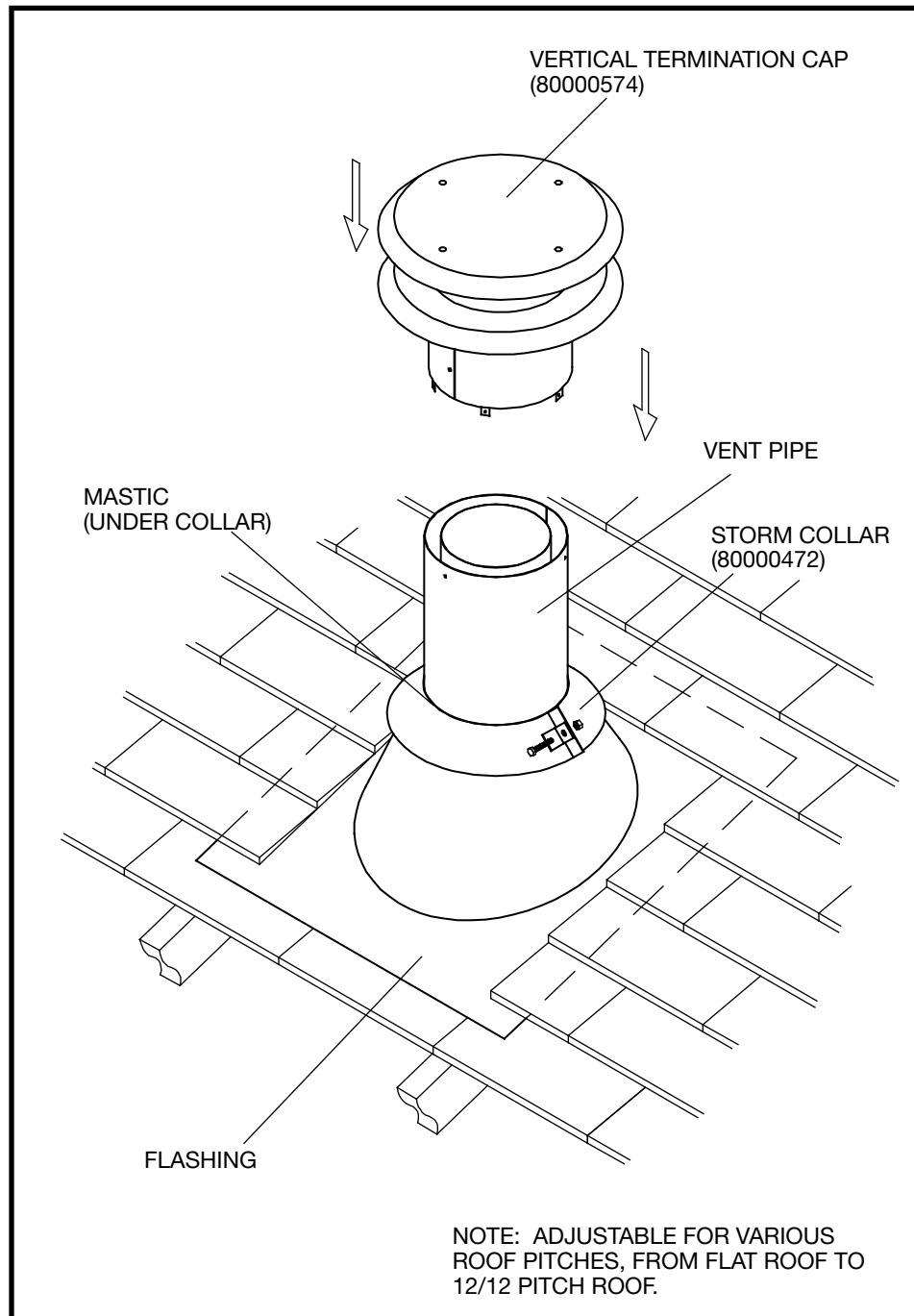


Figure 42: Roof vent terminal

Vent Terminal Minimum Clearances

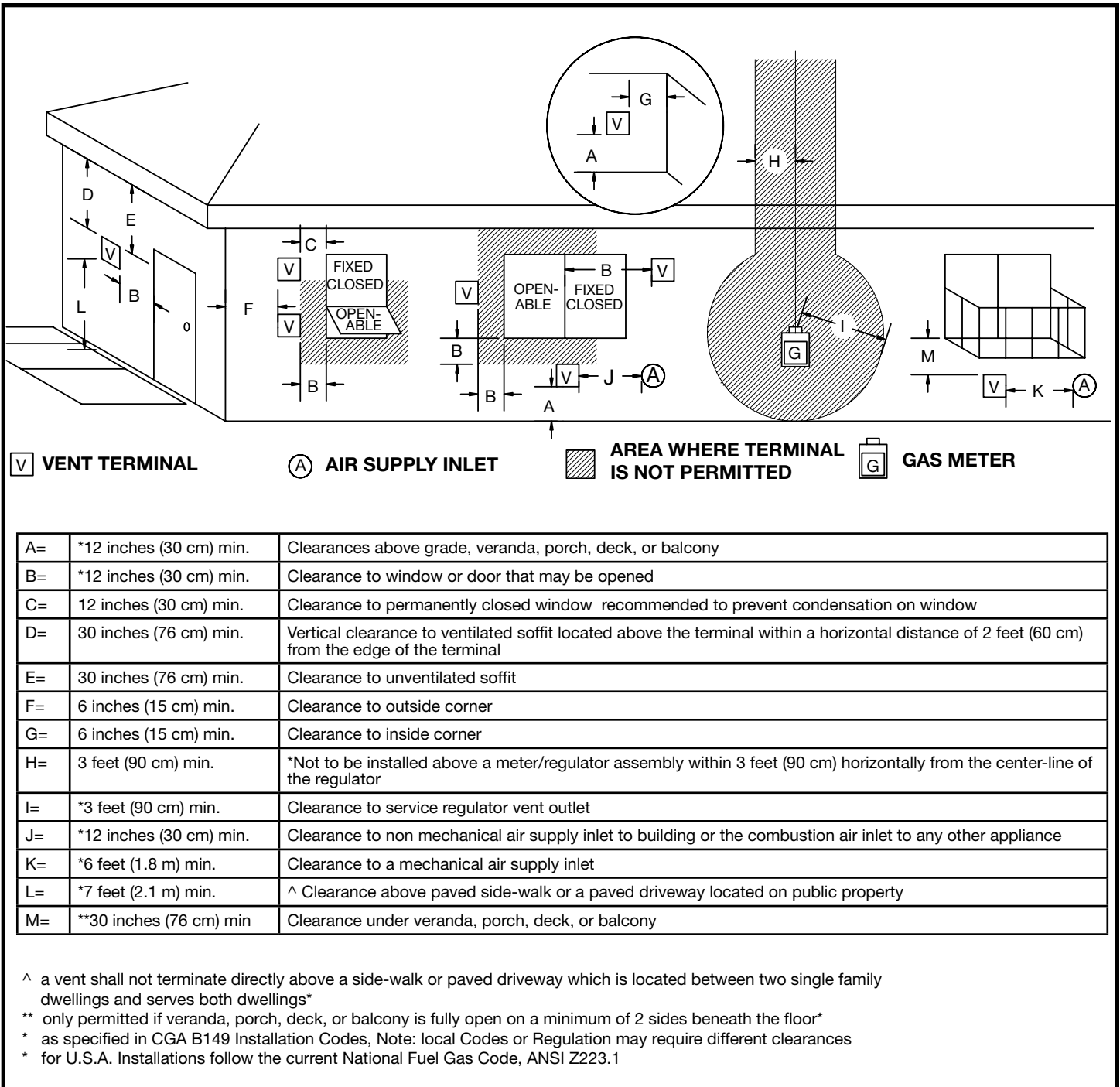


Figure 43: Vent terminal minimum clearances.

Vent Terminal Clearance

Minimum clearances to the vent terminal must be maintained as shown in Figure 43 & Figure 44. Measure clearances to the nearest edge of termination hood.

NOTE: Vent terminal must not be recessed

NOTE: LOCAL CODES OR REGULATIONS MAY REQUIRE DIFFERENT CLEARANCES.

Roof Pitch Table	(minimum)	
	ft	m
Flat to 6/12	1.00	0.30
Over 6/12 to 7/12	1.25	0.38
Over 7/12 to 8/12	1.50	0.46
Over 8/12 to 9/12	2.00	0.61
Over 9/12 to 10/12	2.50	0.76
Over 10/12 to 11/12	3.25	0.99
Over 11/12 to 12/12	4.00	1.22

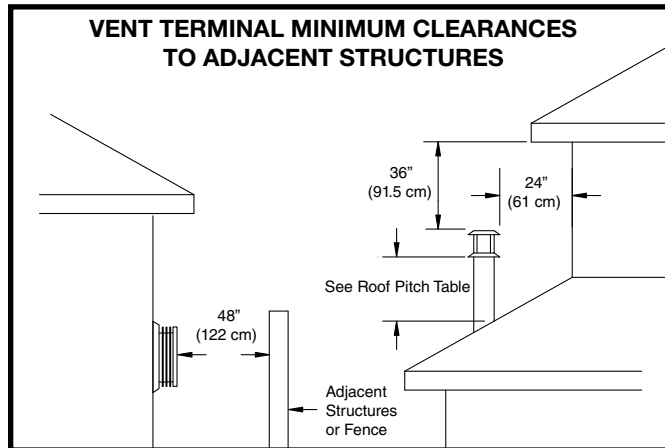


Figure 44: Vent roof clearance.

Vent Pipe Sealant

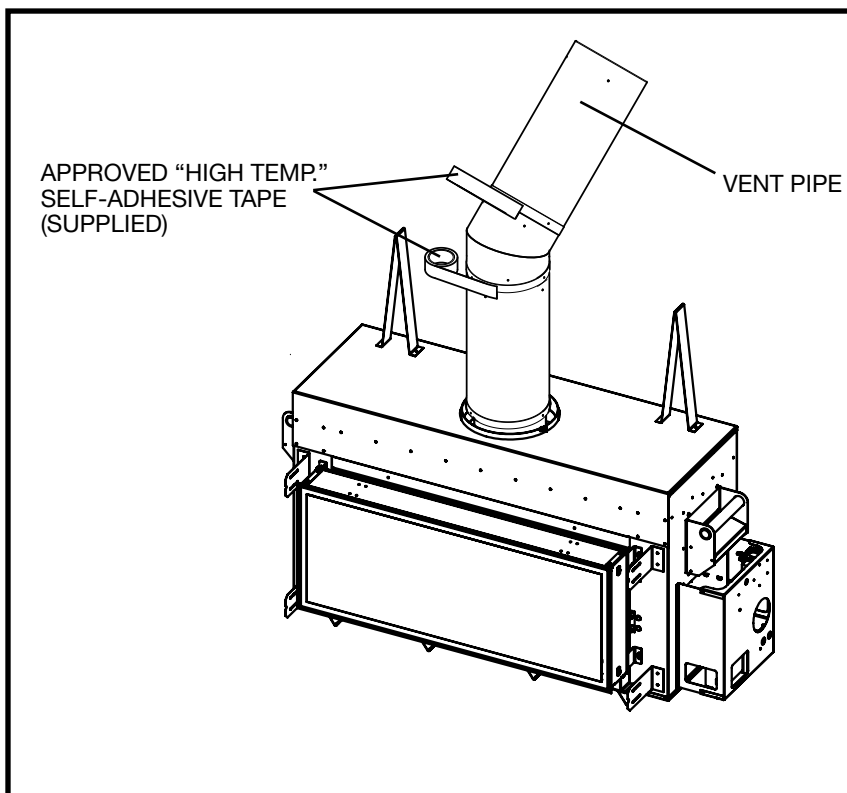


Figure 45: TCWS38D Sealing vent joints.

All outer joints of the vent pipe must be sealed with the approved "High Temperature" self-adhesive aluminum tape provided. Wrap the tape completely around the joint and press firmly in place.

Inner pipe does not need to be sealed.

Vent Restrictor Adjustment

The vent restrictor is located on the underside of the firebox top. The unit leaves the factory with the vent restrictor open. The restrictor is built into the appliance for secondary air flow adjustment. Adjustment enables tuning the airflow for optimum flame appearance and performance for a wide variety of vent configurations.

Setting:

- Determine the vent height
- Determine the vent horizontal length
- From the chart determine the restrictor position

Refer to the chart (Figure 46) for the correct position of restrictor for the vent configuration of your installation. Restrictor positions are based upon lab tests. The ideal position may vary slightly with installation.

Restrictor position is too closed if the flame has the following characteristics:

- Flame is excessively tall and lifting.
- Flame lacks movement.
- Flame soots.

Restrictor position is too open if the flame has the following characteristics:

- Flame height is low.
- Flame has excessive movement.

To adjust the restrictor:

- Loosen the screw holding the restrictor.
- Move the restrictor to its intended opening.
- Re-tighten the screw.

CAUTION: The vent restrictor must be fully open when using the TCVT.PVB1 power vent kit to vent this fireplace.

WALL AND ROOF TERMINATION RESTRICTOR POSITION

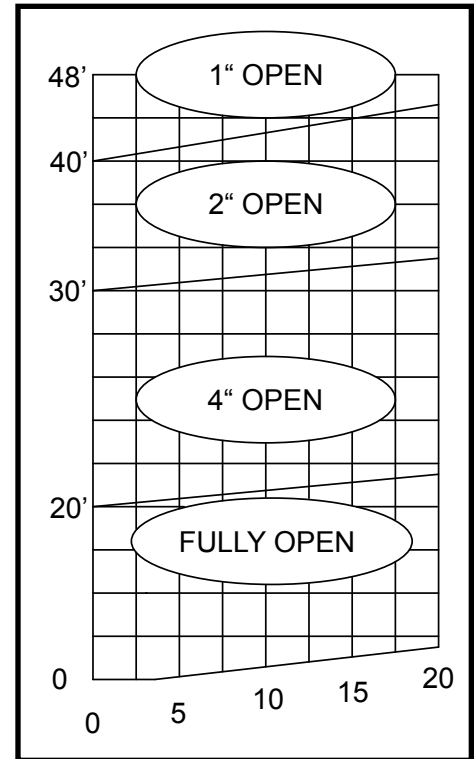


Figure 46: Restrictor rise and run chart.

VENT RESTRICTOR PLATES

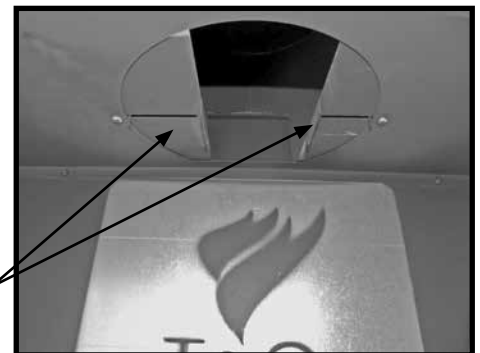


Figure 47: Vent restrictor.

Wall Shield/ Ceiling Firestop Thimble

Wall Termination Kit

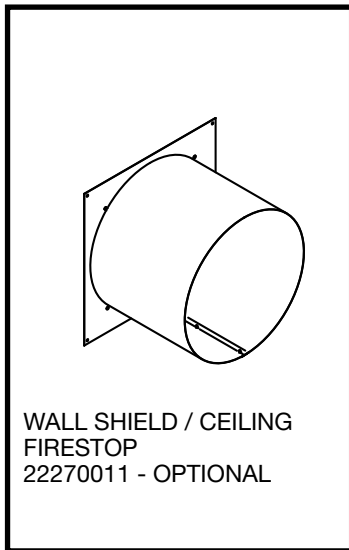


Figure 48: Wall - Ceiling
thimble

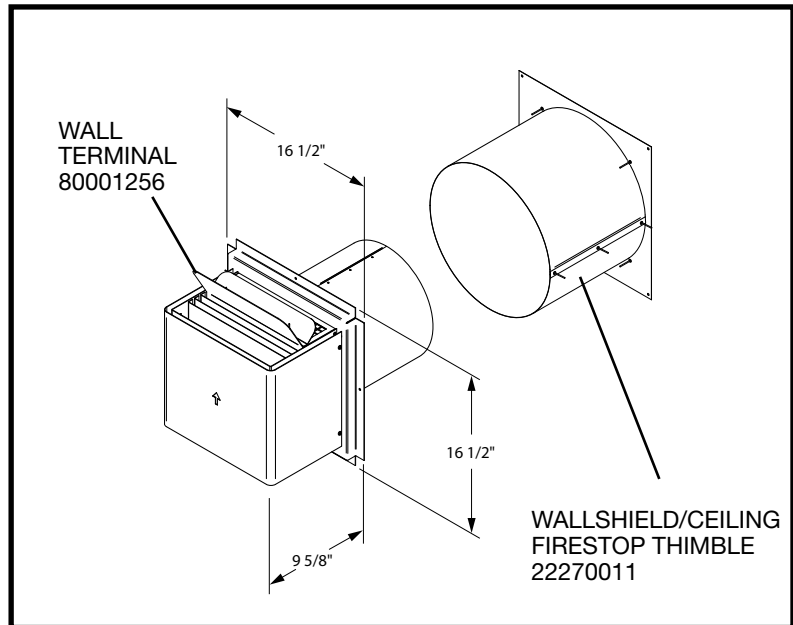


Figure 49: Wall termination kit

Roof Termination Kit

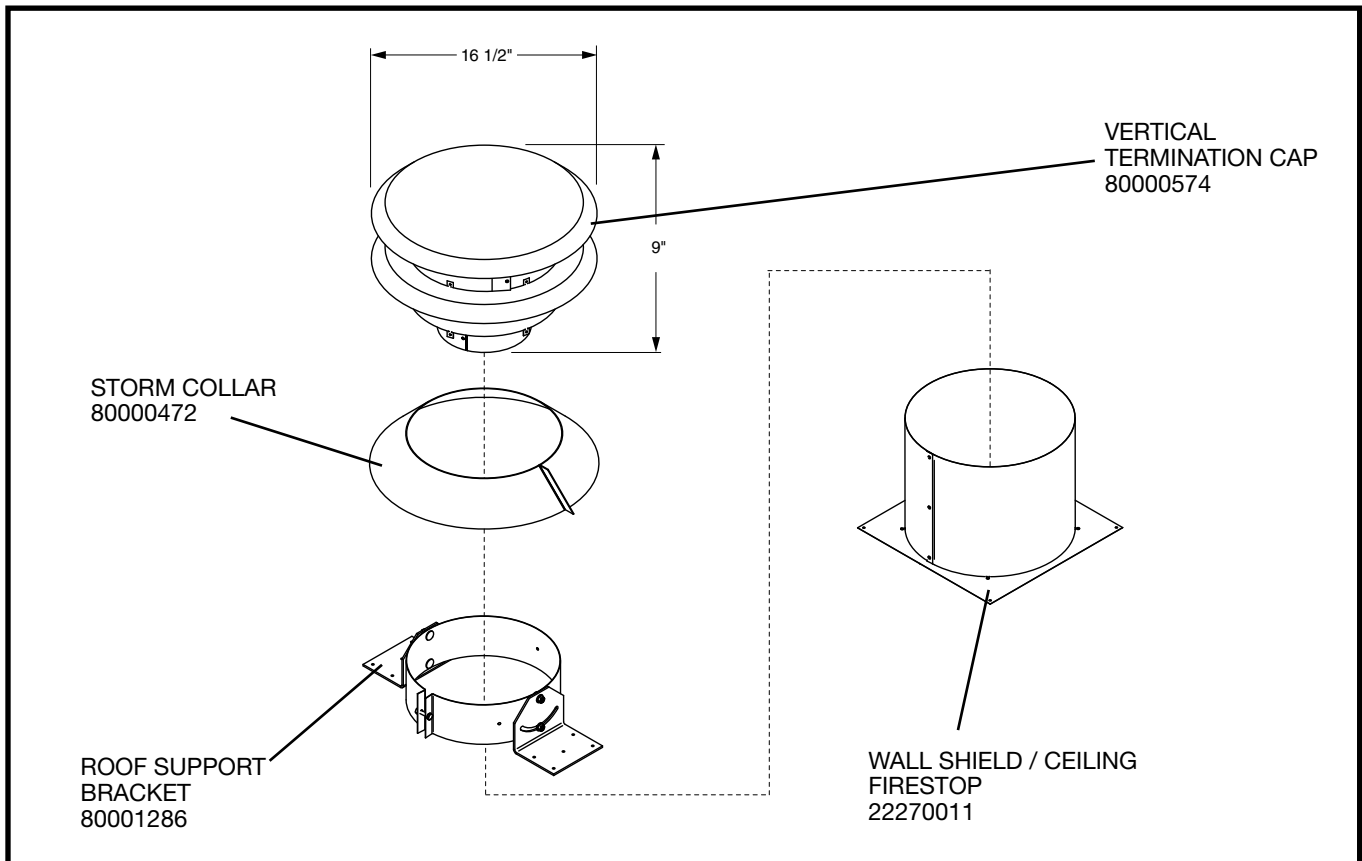


Figure 50: Roof termination kit.

Attic Insulation Shield (Optional)

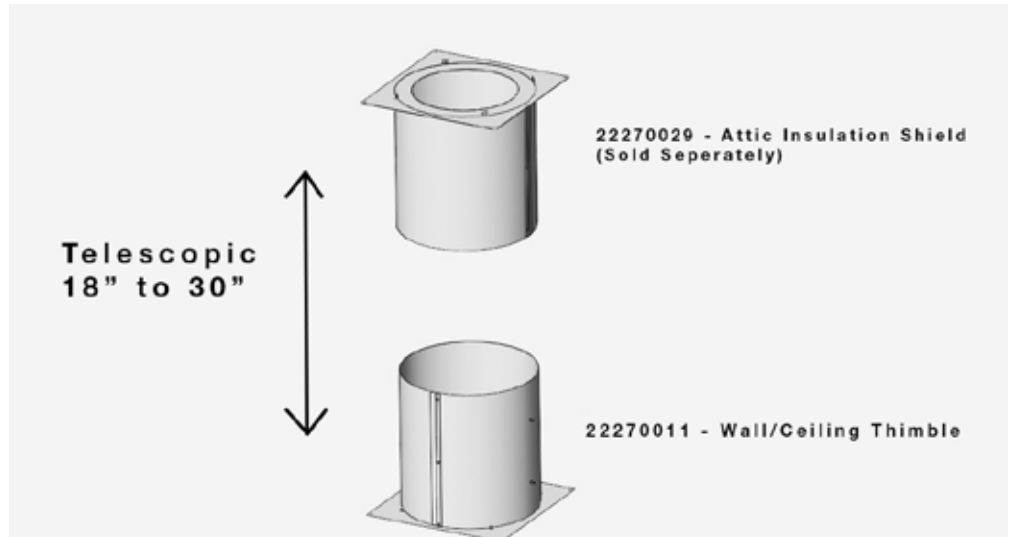


Figure 52: Attic Insulation Shield

Vent Pipe Dimensions

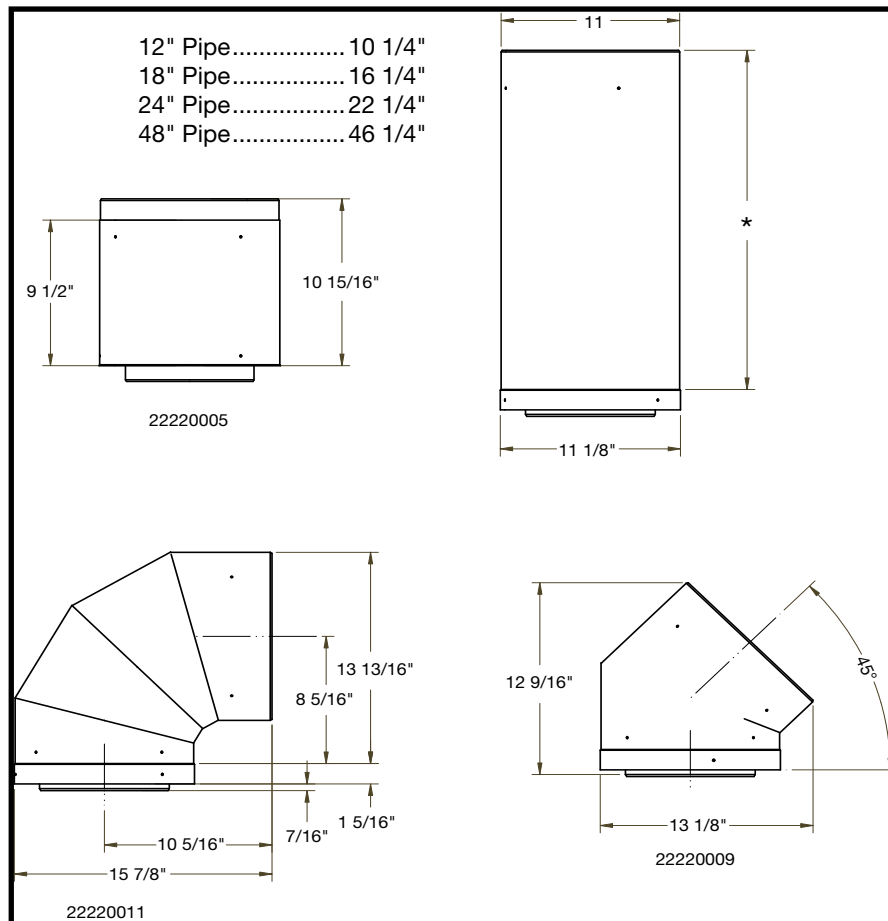
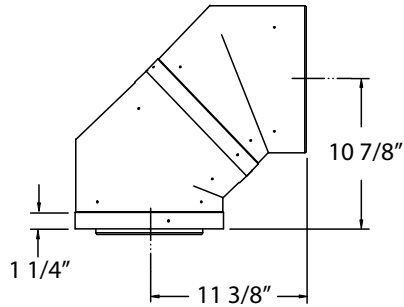
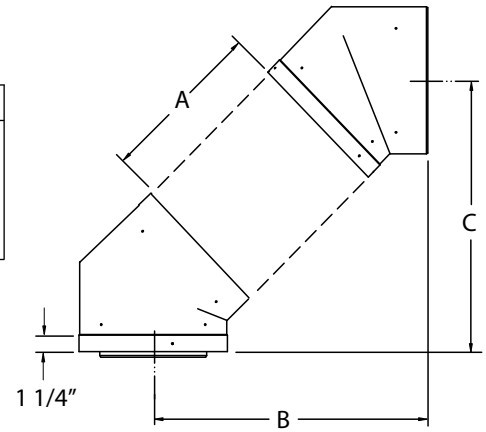


Figure 51: Vent pipe dimensions.

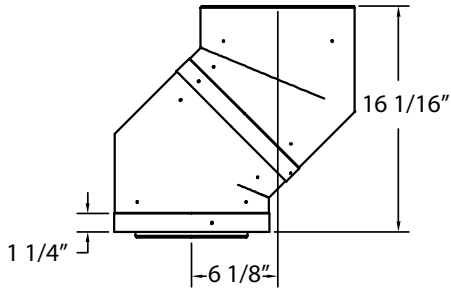
Vent Offset Chart



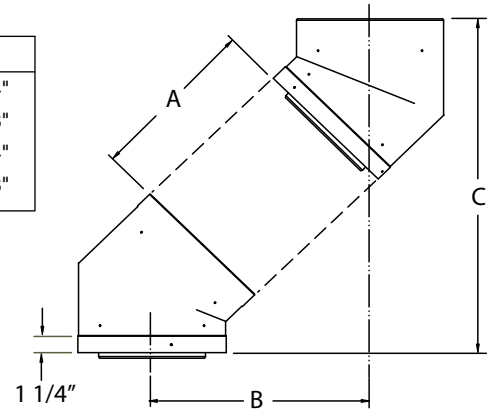
A	B	C
12" PIPE	18 5/8"	18"
18" PIPE	22 7/8"	22 3/8"
24" PIPE	27 1/8"	26 1/2"
48" PIPE	44 1/16"	43 1/2"



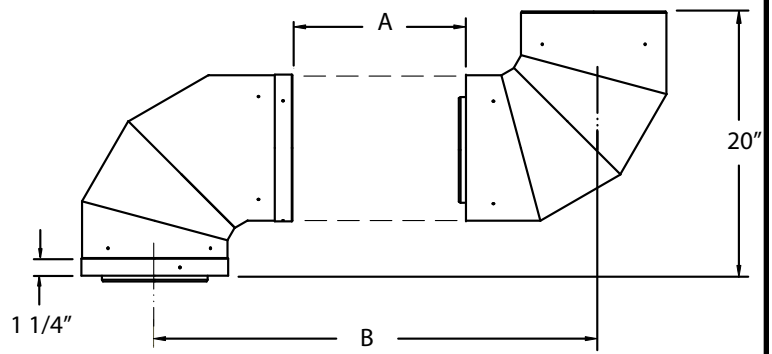
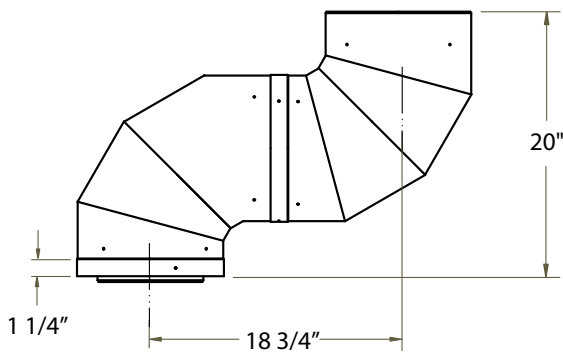
ADDING AN ADJUSTABLE SECTION TO PIPE WILL INCREASE OFFSET BY 2 1/8" TO 6 3/4"



A	B	C
12" PIPE	13 7/16"	23 1/4"
18" PIPE	17 9/16"	27 5/8"
24" PIPE	21 7/8"	31 3/4"
48" PIPE	38 3/4"	44 7/8"



ADDING AN ADJUSTABLE SECTION TO PIPE WILL INCREASE OFFSET BY 2 1/8" TO 6 3/4"



A	B
12" PIPE	29"
18" PIPE	35"
24" PIPE	41"
48" PIPE	65"

ADDING AN ADJUSTABLE SECTION TO PIPE WILL INCREASE OFFSET BY 3" TO 9 1/2"

Figure 53: Vent offsets

Firebox Panels Installation

1. Remove the side panel retainers located on the underside of the firebox heat shield. The retainers are each held in place by one screw (Figure 59).
2. Before inserting the back panel into the firebox, move the restrictor plates out (Figure 54) so that the top part of the panel will be able to clear the tabs when being tilted into place.
3. Insert the back panel with its' tabs pointing downward, into the firebox and position the panel tabs into the tab supports for both the right side and the left side (Figure 56 and Figure 57).
4. While supporting the back panel insert one of the side panels into the firebox. Place the rear end of the side panels on to the side panel supports and rest the front end of the panels on the horizontal support (Figure 58).
5. Reinstall side retainers (Figure 59).
6. Install the burner tray and secure with provided screws (Figure 60).
7. Rest the front panel over top of the horizontal support (Figure 61). Be sure that the long vertical edge of the panel is facing toward the front of the fireplace.

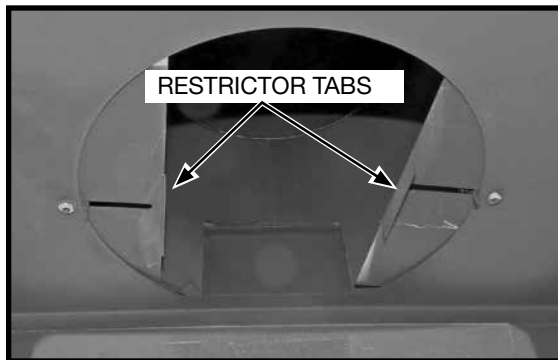


Figure 54: Vent restrictor tabs in typical position.

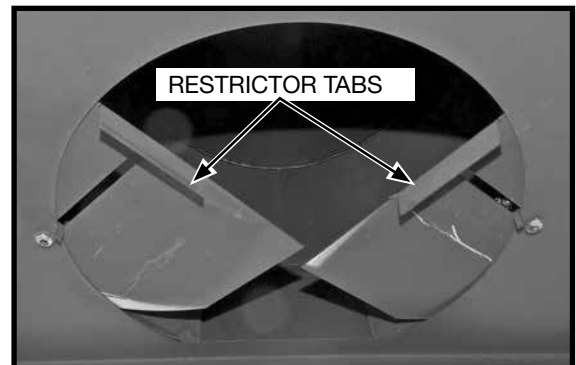


Figure 55: Vent restrictors moved to allow for back panel insertion.

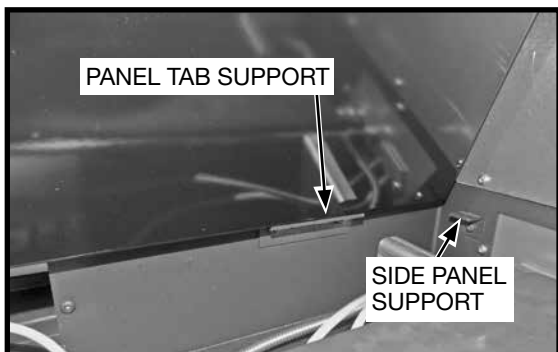


Figure 56: Rear panel - right side.

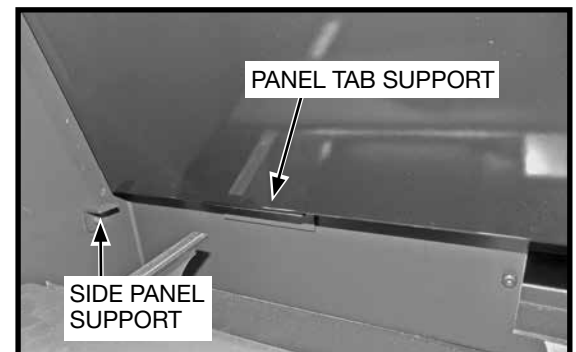


Figure 57: Rear panel - left side.

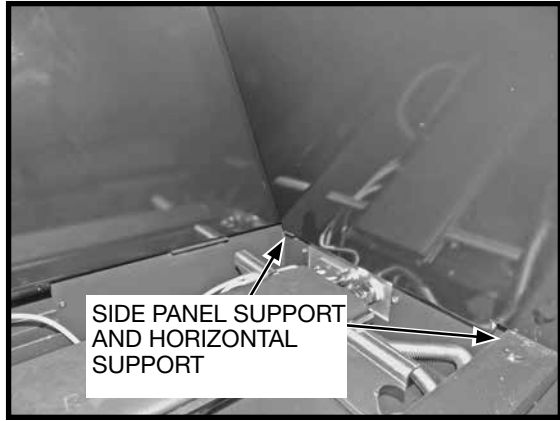


Figure 58: Right side panel.

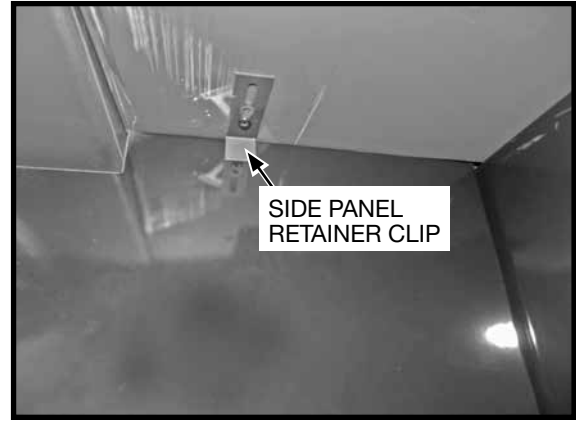


Figure 59: Retainer clip holding up the right side panel.



Figure 60: Burner tray installed and secured.

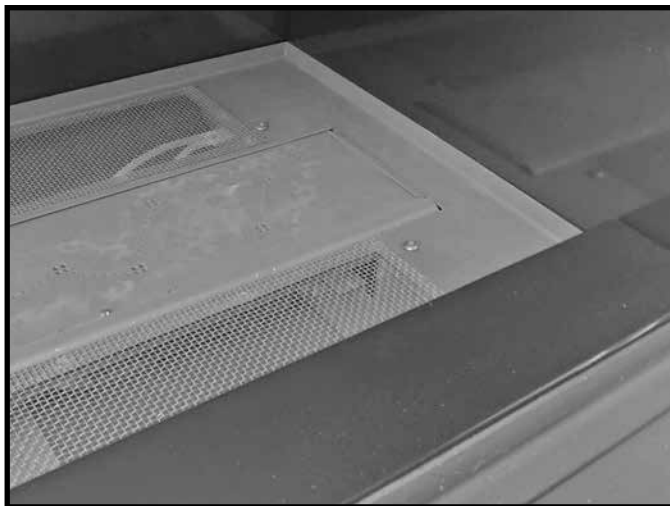


Figure 61: Front panel in place.

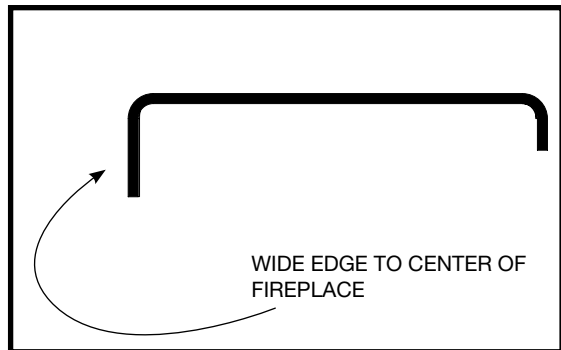


Figure 62: Front panel - side view.

Note: Front panel rests on top of the horizontal support but is not fastened with screws.

Panels Removal for Valve Service

1. Remove front panel base (Figure 63). Also remove rear panel base if Black Diamond Burner is fitted.
2. Remove media (sand or glass) completely and remove the fastened burner tray (Figure 60).
3. Remove the right side panel retaining clip (Figure 64) and remove the side panel (Figure 65).
4. The access panel is now exposed and can be removed (Figure 66).
5. Reassemble in reverse order.

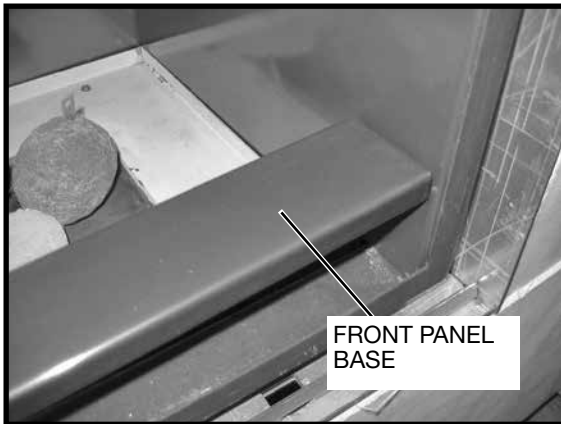


Figure 63: Front panel base.

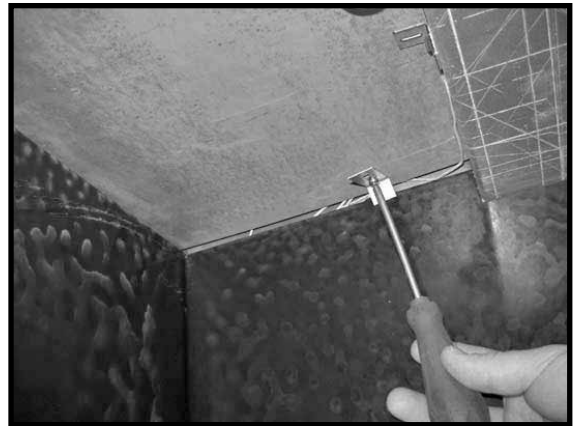


Figure 64: Side panel retainer.



Figure 65: Removing side panel.

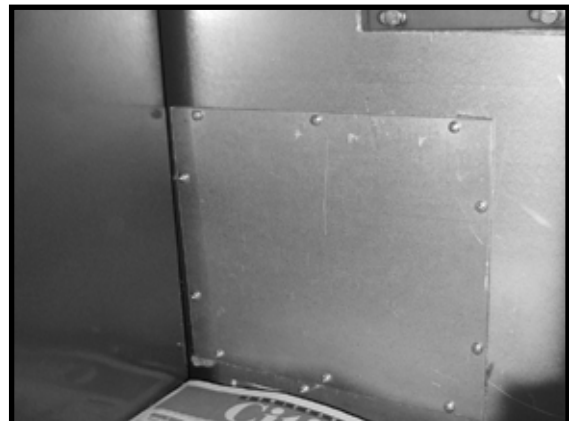


Figure 66: Access panel.

WARNING: The access panel including gasket must be reinstalled after conversion/ installation or servicing has been completed. Failure to do so will cause overheating and premature failure of the control system.

Transition Trim Kit Installation

The Transition trim kit (SKU #80002247) includes two side pieces, a top piece, and a bottom meshed piece which will be placed onto the fireplace floor and in front of the glass once the fireplace door is installed.

Installation

1. With the door in place, begin by setting out the two side trim pieces and the top piece. Each of these three trim pieces require 2 small button magnets which are included with the trim pieces.
2. Install the two side trim pieces first using two smaller magnets on each piece as shown in Figure 67 and Figure 68.



Figure 67: Installing the side trim.



Figure 68: Side trim in place.



Figure 69: Installing top trim.

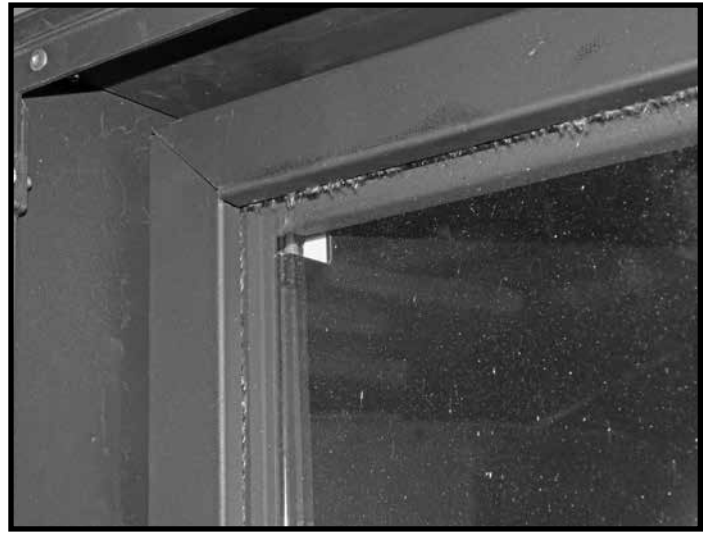


Figure 70: Top trim in place.

3. Install the top trim piece over top of the two side trim pieces using two larger magnets (Figure 69 and Figure 70).



Figure 71: Installing bottom trim.

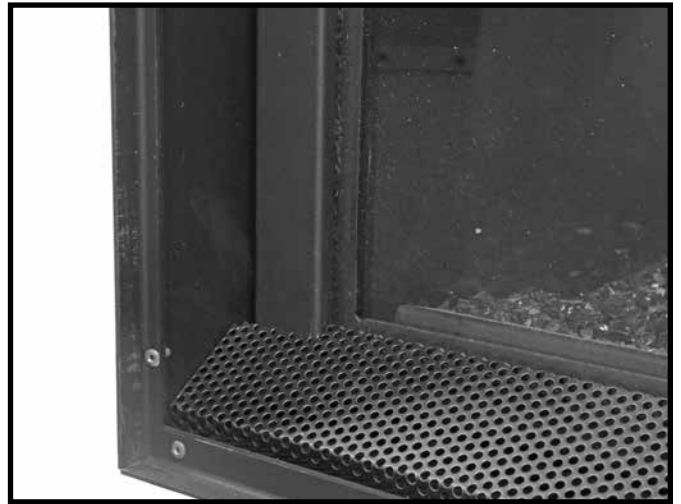


Figure 72: Bottom trim in place.

4. The meshed trim piece for the bottom rests on the floor and in the gap between the outer-most door frame and the fireplace glass (Figure 71 and Figure 72).



Figure 73: Town & Country magnetic badge.



Figure 74: T&C badge on right side of trim piece.

5. The trim kit comes with a Town & Country badge (Figure 73). Affix this badge to the right hand side of the lower meshed trim piece as shown in Figure 74.
6. Attach the magnetic safety barrier screen (Figure 75) to the outer-most door frame.

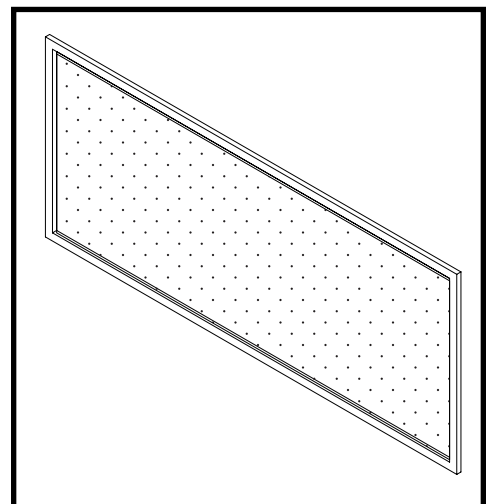


Figure 75: TCWS38 Safety barrier screen.

Linking Remote Handset to the Fireplace

Town & Country Fireplaces can be operated remotely by using the remote handset that came with the fireplace, and by using a BlueTooth® enabled Apple® mobile device and the “TC Fire” app which can be downloaded free from the Apple® app store. For linking to the fireplace using a BlueTooth® enabled apple mobile device, refer to the user manual that came with this fireplace. For linking the remote handset that came with this fireplace, complete the following two steps:

Step 1: Procedure for linking / pairing wall switch to fireplace

1. Set the wall switch selector to the “Remote” setting.
2. Press and hold **Program** button (Figure 76) on the wall switch for up to 10 seconds. Use a straightened paper clip to access the button.
3. The wall switch will beep 5 times. Release the button following the beeps.
4. The fireplace will beep 3 times repeated by another 3 beeps.
5. The fireplace and wall switch are now linked/paired.

If there is cross communication with another nearby fireplace causing the other fireplace to activate instead of the intended fireplace, repeat above procedure to automatically switch to another one of three available channels.



Figure 76: Town and Country wall switch.

Step 2: Procedure for linking / pairing the wall switch to remote handset

1. Press and release **Program** button on the wall switch once (Figure 76).
2. You will hear 3 beeps from the wall switch.
3. Press and release the **on/off** button (Figure 77) on the remote handset (within 60 sec.)
4. The wall switch will beep 3 times.
5. The remote handset is now linked/paired to the wall switch and is ready to activate the fireplace.



Figure 77: Remote handset.

Maintenance

CAUTION:

Turn off gas and electrical power supply (if applicable) and allow ample time for unit to cool before servicing appliance. It is recommended that the fireplace and its venting should be inspected at least once a year by a qualified service person.

Glass Panel:

Warning: Do not operate fireplace with glass panel removed, cracked or broken. Replacement of the glass panel should be done by a licensed or qualified service person.

Do not strike or otherwise impact the glass in anyway that may cause it to break. If the glass becomes cracked or broken it must be replaced before using the fireplace. Replacement glass can be obtained from your nearest Town & Country Fireplaces dealer. The size required is 38" x 14" x 5mm. Use ceramic glass only. Do not substitute with any other type.

To remove broken glass, remove door frame as noted in "Door Frame Removal" section.

Unclip the Glass Retainer Clips located at the top and sides of the Door Frame. Pull the top edge of the glass out of the frame first, then lift it up and out of the bottom edge.

Install the new piece of glass with the gasket into the frame so that the thicker bead of gasket faces the fireplace.

Re-install glass retaining clips.

Annual Inspection:

- Remove glass panel and burner assemblies. Inspect for soot buildup. If excessive buildup of soot is present, have a qualified service person inspect and adjust unit for proper combustion. Clean burner assembly with a brush or vacuum cleaner, paying close attention to burner ports.
- Check the pilot system (Figure 78) for proper flame size and operation. Clean pilot free of soot, dust or any other deposits.
- Check that the vent pipe and vent terminal are open and free from blockage or debris. If the venting is disassembled for cleaning, it must be properly assembled and re-sealed. Refer to VENTING section for proper procedure.
- Check glass panel gasket, replace if necessary. It is important that the glass seal be maintained in good condition.
- Check and replace batteries as needed.

Note: The appliance area must be kept clear and free from combustible materials, gasoline and other flammable vapours and liquids.

Periodically:

- Viewing glass may be cleaned as necessary with fireplace glass cleaner.
- Exterior finish may be cleaned with mild soap and water.

CAUTION:

Do not use abrasive cleaners on glass or any other part of the fireplace.

Do not clean glass when hot.

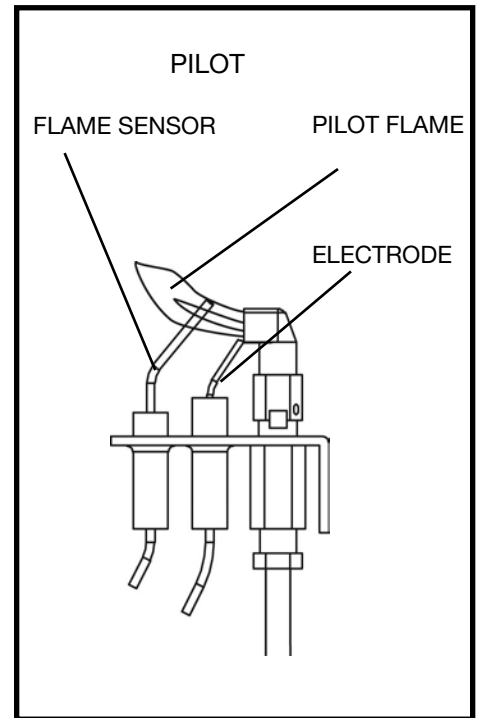
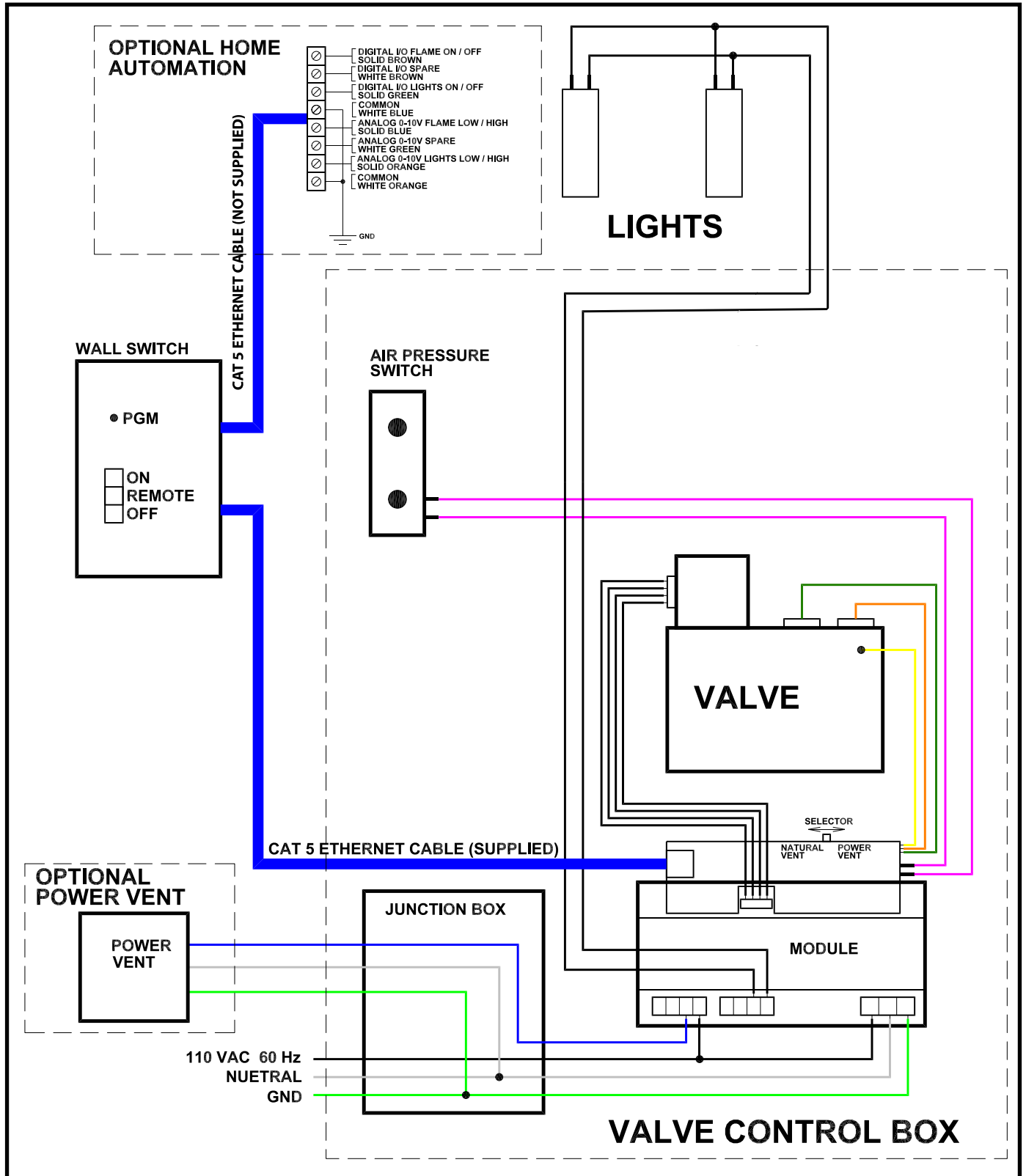


Figure 78: Pilot assembly.

Wiring Diagram

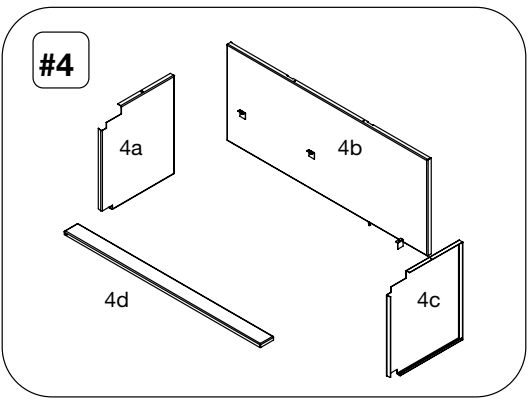
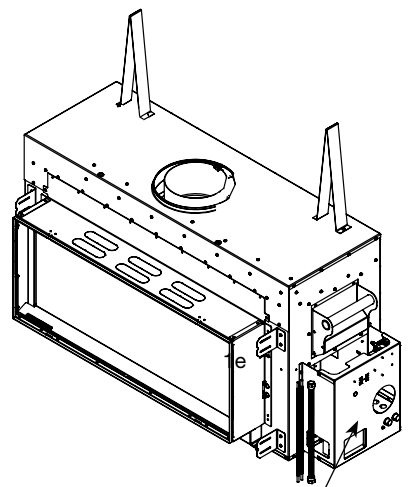
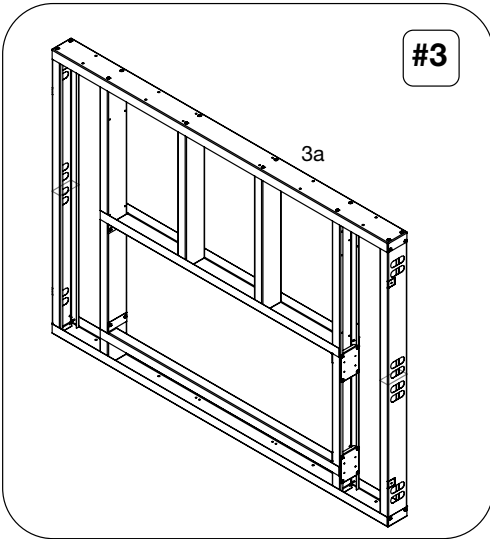
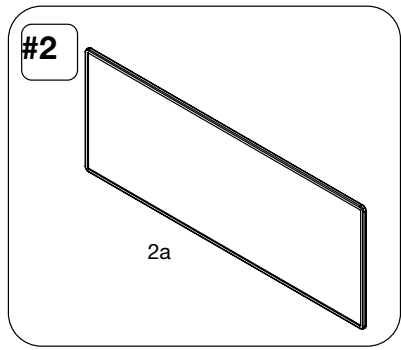


TCWS38D Parts Diagram

(WHEN ORDERING, INCLUDE PART NUMBER WITH DESCRIPTION)

ITEM	DESCRIPTION	PART NO.	ITEM	DESCRIPTION	PART NO.
#1	TCWS38 BODY ASSY.....	22030008	#4	PANEL SETS	
#2	GLASS ASSY.....	80000213		BLACK PORCELAIN.....	22200040
#3	FRAMING KIT.....	80001418		COFFEE BEAN BROWN PORCELAIN	22200038
				TITANIUM	22200039
				COPPER.....	22200043

#1



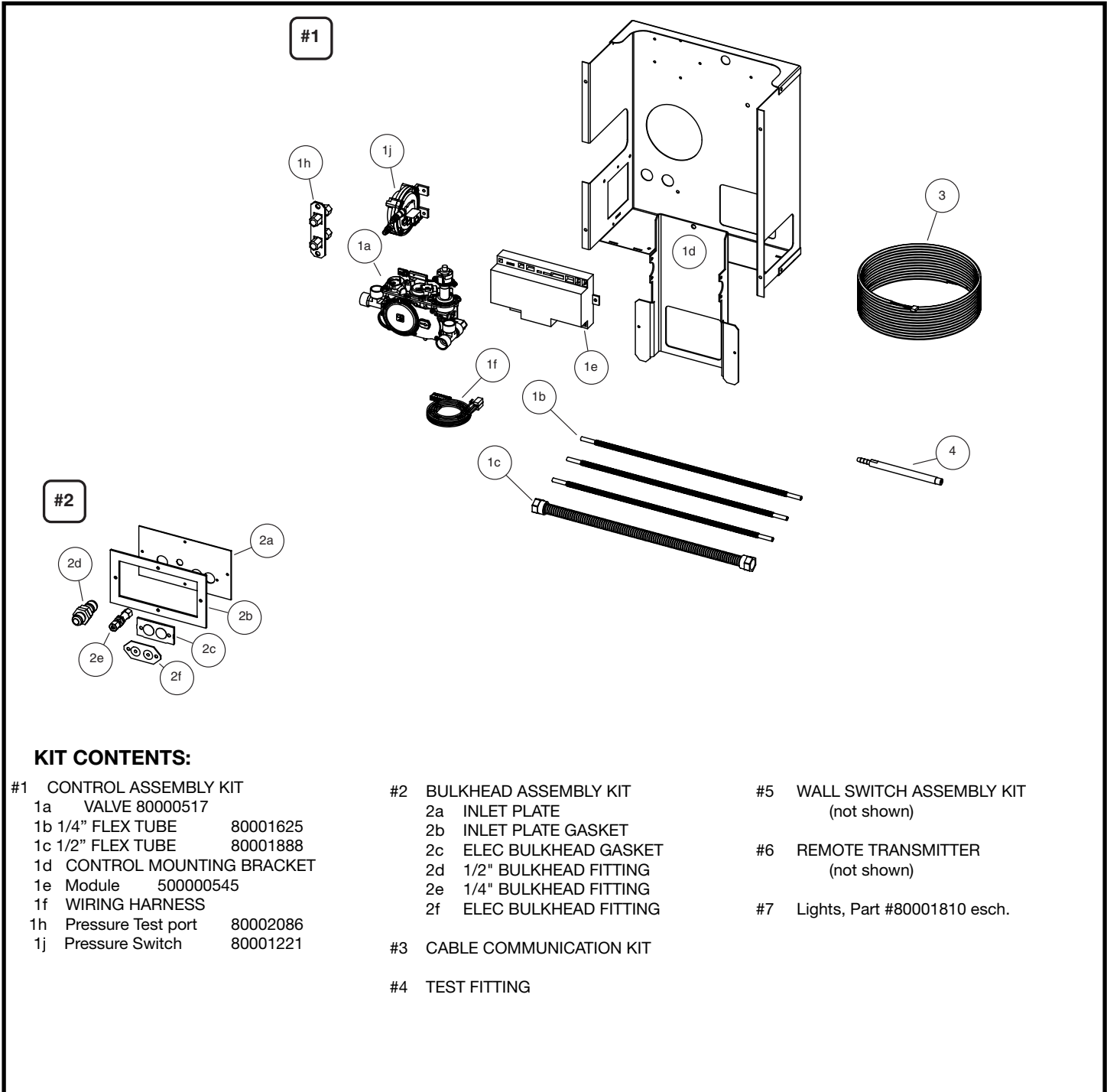
KIT CONTENTS:

- #1 TCWS38 BODY ASSEMBLY
- #2 GLASS ASSEMBLY
 - 2a REPLACEMENT GLASS (c/w gasket)
- #3 FRAMING KIT
 - 3a STEEL STUDS
- #4 PANEL SETS
 - 4a PANEL, LEFT SIDE
 - 4b PANEL, REAR
 - 4c PANEL, RIGHT SIDE
 - 4d PANEL, FRONT

Parts Diagram – Control System

(WHEN ORDERING, INCLUDE PART NUMBER WITH DESCRIPTION)

ITEM	DESCRIPTION	PART NO.	ITEM	DESCRIPTION	PART NO.
#1	CONTROL ASSEMBLY KIT	80001260	#5	WALL SWITCH ASSEMBLY KIT	80000498
#2	BULKHEAD ASSEMBLY KIT	80000495	#6	REMOTE TRANSMITTER (WiFi version 0.584.080)	80002873
#3	COMMUNICATION CABLE KIT	80001707	#7	Halogen Light Assembly	80000556
#4	TEST FITTING	80001624		Halogen Light Bulb	80002650



KIT CONTENTS:

- | | | |
|--------------------------------|----------------------------|---------------------------------|
| #1 CONTROL ASSEMBLY KIT | #2 BULKHEAD ASSEMBLY KIT | #5 WALL SWITCH ASSEMBLY KIT |
| 1a VALVE 80000517 | 2a INLET PLATE | (not shown) |
| 1b 1/4" FLEX TUBE 80001625 | 2b INLET PLATE GASKET | #6 REMOTE TRANSMITTER |
| 1c 1/2" FLEX TUBE 80001888 | 2c ELEC BULKHEAD GASKET | (not shown) |
| 1d CONTROL MOUNTING BRACKET | 2d 1/2" BULKHEAD FITTING | #7 Lights, Part #80001810 esch. |
| 1e Module 500000545 | 2e 1/4" BULKHEAD FITTING | |
| 1f WIRING HARNESS | 2f ELEC BULKHEAD FITTING | |
| 1h Pressure Test port 80002086 | #3 CABLE COMMUNICATION KIT | |
| 1j Pressure Switch 80001221 | #4 TEST FITTING | |

Rating Label

NOTE: The Rating Label is located on a plate found in a slot between the left hand side lintel and the left hand side door frame. This plate is attached to the lintel with a cable.



TOWN & COUNTRY
FIREPLACES™

MODEL/
MODELE: **TCWS38**

SERIES/
SERIE: **D**

MADE IN CANADA
FABRIQUE AU CANADA

VENTED GAS FIREPLACE - NOT FOR USE WITH SOLID FUEL FOYER AU GAZ À ÉVACUATION - NE PAS UTILISER AVEC DU COMBUSTIBLE SOLIDE

This is a decorative product and is not intended to be used as a heating appliance.

ANSI Z21.50-2016 / CSA 2.22-2016 Vented Gas Fireplaces
CAN/CGA 2.17-M91 Gas-Fired Appliance For Use At High Altitudes.

Certified for / Certifié pour Canada and U.S.A.

This Appliance is Equipped For Use With /
Cet Appareil est Équipé Pour Utiliser Avec :

NATURAL GAS
GAZ NATUREL

LP-GAS
LP GAZ

FOR USE WITH/ EN CASE D'EMPLOI AVEC:

Minimum supply pressure / Pression minimum d'alimentation:
(For the purpose of input adjustment / dans le but de régler l'alimentation)
Maximum supply pressure / Pression maximum d'alimentation:
Manifold pressure / Pression de la tuyauterie: Maximum

NATURAL GAS/ DU GAZ NATUREL

5.0 in/wc / 5.0 po/c.e.
(1.25 kPa)
13.9 in/wc / 13.9 po/c.e.
(3.45 kPa)
3.5 in/wc / 3.5 po/c.e.
(0.87 kPa)

LP GAS/ DU GAZ LP

12.5 in/wc / 12.5 po/c.e.
(3.11 kPa)
13.9 in/wc / 13.9 po/c.e.
(3.45 kPa)
10.0 in/wc / 10.0 po/c.e.
(2.49 kPa)

Orifice Size / Diametre de l'injecteur:

NF x2

LF x2

Input BTU/hr (kW) / Entree BTU/h (kW):

Max.: 47,000 (13.7)
Min.: 31,000 (9.0)

Max.: 47,000 (13.7)
Min.: 35,000 (10.2)

Optional components/ Éléments facultatifs: Powervent Kit/ kit de ventilation mécanique TCVT.PVI.25, TCVT.PV7.110, TCVT.PVCV, TCVT.PVVT.

Blower electrical rating: 115v, 60hz, 1.1 A / Normes électriques du ventilateur: 115v, 60hz, 1.1 A

This appliance equipped for altitudes 0 - 4500 ft. (0 - 1372 m) / Cet unité est conçu pour des altitudes variant entre 0 - 4500 pieds (0 - 1372 m). In Canada, also certified for installation in a bedroom or a bedsitting room / Aussi certifié pour installation dans une chambre à coucher ou une salle de séjour. This appliance must be installed in accordance with local codes, if any; if none, follow the current CAN/CGA-B149 (Canada), or ANSI Z223.1 (USA) Installation Codes. Installer l'appareil selon les codes ou règlements locaux, ou, en l'absence de tels règlements, selon les codes d'installation CAN/CGA-B149 (Canada), or ANSI Z223.1 (USA) en vigueur.

MANUFACTURED (MOBILE) HOME: This appliance is only for use with the type of gas indicated on the rating plate and may be installed in an aftermarket, permanently located, manufactured (mobile) home where not prohibited by local codes. See owners manual for details.

FABRIQUÉ (MOBILE) MAISON: Cet appareil doit être utilisé uniquement avec le type de gaz indiqué sur la plaque signalétique et peut être installé dans une maison préfabriquée (mobile) installée à demeure si les règlements locaux le permettent. Voir la notice du propriétaire pour plus de détails. Cet appareil ne peut être converti à d'autres gaz sauf si une trousse de conversion certifiée est utilisée.

Install in accordance with the current standard Mobile Homes, CAN/CSA Z240 MH (in CANADA), and the Manufacturer's Home Construction and Safety Standard, Title 24 CFR, Part 3280, or the current Standard for Fire Safety Criteria for Manufactured Home Installations, Sites, and Communities ANSI/NFPA 501A, (in the U.S.A.). Cet appareil doit être installé conformément aux exigences de la norme CAN/CSA Z240 MH en vigueur de l'ACNOR, Installations de gaz dans les Constructions Mobiles.

FOR USE WITH THE GLASS AND SCREEN BARRIER CERTIFIED WITH THE APPLIANCE ONLY / POUR UTILISATION UNIQUEMENT AVEC LES PORTES IN VERRE CERTIFIÉES AVEC L'APPAREIL

MINIMUM CLEARANCES TO COMBUSTIBLES / CLAIRANCES MINIMALES AVEC LES COMBUSTIBLE

Left and Right side are determined when facing the front of the appliance. / Les côtés droit et gauche se déterminent en se mettant devant l'appareil et en lui faisant face.

Top, Back and Side Standoffs / Sommet, Arrière et Côté Butée
Sidewall to Appliance / Du mur latéral à l'appareil
Ceiling to Appliance / Plafond à l'appareil
Mantel to Appliance / Du manteau à l'appareil
Maximum Mantel Extension / Allongement maximum du manteau
*See Installation Manual for more detail / Voyez des Directive de l'Installation pour plus détails.
Mantel Supports / Supports du manteau
Vent Pipe / Déchargez le Tuyau

0 in./ 0 po. (0 mm)
4 in./ 4 po. (102 mm)
24 in./ 24 po. (610 mm)
*9 in./ 9 po. (229 mm)
*12 in./ 12 po. (305 mm)

4 in./ 4 po. (102 mm)
1.75 in./ 1.75 po. (45 mm)

Pacific Energy
Fireplace Products Ltd.
Duncan, British Columbia,
Canada

P.4.1-15 Efficiency: 38.4%

DATE OF MANUFACTURE

WARNING: Improper installation, adjustment, alteration, service or maintenance can cause injury or property damage. Refer to the owner's information manual provided with this appliance. For assistance or additional information, consult a qualified installer, service agency or the gas supplier.

AVERTISSEMENT: Une installation, un réglage, une modification, une réparation ou un entretien mal effectué peut causer des dommages matériels ou des blessures. Voir la notice de l'utilisateur qui accompagne l'appareil. Pour de l'aide ou des renseignements supplémentaires, consultez un installateur, un technicien agréé ou le fournisseur de gaz.

160119

100001671-50

1-TCWS38-D2

© 2024 Copyright Pacific Energy Fireplace Products LTD

Reproduction, adaptation, or translation
without prior written permission is prohibited,
except as allowed under the copyright laws.



For technical support, please contact your retailer.

**Web site: www.townandcountryfireplaces.com
2975 Allenby Rd., Duncan, BC V9L 6V8**