

INSTALLATION MANUAL



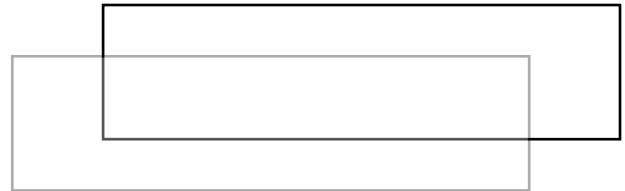
The Architectural Series

BY TOWN & COUNTRY



CONFIGURATION

See - Thru



FOR YOUR SAFETY

Installation and service must be performed by a qualified installer, service agency or the gas supplier.

This is a decorative product and is not intended to be used as a heating appliance.

WHAT TO DO IF YOU SMELL GAS

- Do not try to light any appliance.
- Do not touch any electrical switch.
- Do not use any phone in your building.
- Immediately call your gas supplier from a neighbour's phone. Follow the gas supplier's instructions.
- If you cannot reach your gas supplier call the fire department.

This appliance is suitable for installation in a bedroom or bed sitting room.

This appliance may be installed in an aftermarket permanently located, manufactured home (USA only) or mobile home, where not prohibited by local codes. This appliance is only for use with the type of gas indicated on the rating plate. This appliance is not convertible for use with other gases, unless a certified kit is used.

Do not store or use gasoline or other flammable vapors and liquids in the vicinity of this or any other appliance.

WARNING: If the information in these instructions is not followed exactly, a fire or explosion may result causing property damage, personal injury or death.



INSTALLER: Leave this manual with the appliance.
CONSUMER: Retain this manual for future reference.

Table of Contents

Table of Contents	2
Caution	3
Safety	3
Important Note for the Commonwealth of Massachusetts	4
Congratulations on your Town & Country purchase	5
Installation Requirements/Appliance Specifications	5
Installation Requirements	5
Vent Terminal Minimum Clearances	6
Minimum Clearances to Combustible Material	7
Btu Values and Weights	7
Appliance Dimensions	8
Bottom Intake Models	8
Top Intake Models.....	9
Locating the Unit	10
Framing and Finishing	11
Framing.....	12
Facing Material	13
Venting Configuration	14
Venting plenum	14
NOTE: Plenum must not be shared with other appliances.	14
Venting Specifications	15
Bottom Intake	15
Top Intake	16
Air Intake	17
7" Intake	17
10" Intake	17
Optional Motorized Damper	18
Power Vent	19
Power Vent Dimensions	20
Vertical Installation	20
Horizontal Installation	21
Vent Terminal Clearance	22
Power Vent Wiring	22
Flush Mount Power Vent Dimensions	23
Framing the Flush Mount Power Vent	24
Flush Mount Electrical Connection	25
Baffle Installation and Adjustment	26
Black Glass Option Installation	27
Crushed Glass Media Installation	28
Gas Connection	29
Inside Glass Plate Installation	30
Inside glass plates installation.....	30
Side Securing Panel Installation	31
Outside Glass Plate Installation	32
Electrical Connection	33
Electrical Diagram	34
Control Panel Installation	35
LED Strip Replacement	36
Removing an LED section	36
Gas Pressure and Orifice Figures	38
Lighting Instructions	39
Maintenance	40
Replaceable Parts	41
Rating labels	42

Caution

This appliance and its individual shut off valve must be disconnected from gas supply piping system during any pressure testing of that system at test pressures in excess of 1/2 psig (3.5 kPa).

This appliance must be isolated from the gas supply piping system by closing its individual manual shut off valve during any pressure testing of the gas supply piping system at test pressures equal to or less than 1/2 psig (3.5 kPa).

Do not use the fire feature if any part has been under water. Immediately call a qualified service technician to inspect the fire feature and to replace any part of the control system and any gas control which has been under water.



We recommend that our gas hearth products be installed and serviced by professionals who are certified in the United States by the National Fireplace Institute® (NFI) as NFI Gas Specialists



WARNING: This product can expose you to chemicals including ceramic fibers, which are known to the State of California to cause cancer, and carbon monoxide, which is known to the State of California to cause birth defects or other reproductive harm. For more information go to www.P65Warnings.ca.gov.

This warning is applicable to all
Pacific Energy Fireplace Products

Safety

Any grill, panel or door removed for servicing the unit must be replaced prior to operating. Failure to do so may create a hazardous condition.

Installation and repair should be done by a qualified service person. The appliance should be inspected before use and at least annually by a professional service person. More frequent cleaning may be required due to excessive lint from carpeting, bedding material, etc. It is imperative that control compartments, burners and circulating air passageways of the appliance be kept clean.

It is our policy that no responsibility is assumed by the Company or by any of its employees or representatives for any damages caused by an inoperable, inadequate, or unsafe condition which is the result, either directly or indirectly, of any improper operation or installation procedures.

This appliance must not be connected to a chimney flue serving a separate solid fuel burning appliance.



— Important Note for the Commonwealth of Massachusetts —

From Massachusetts Rules and Regulations 248 CMR 5.08:

- (a) For all side wall horizontally vented gas fuelled equipment installed in every dwelling, building or structure used in whole or in part for residential purposes, including those owned or operated by the Commonwealth and where the side wall exhaust vent termination is less than seven (7) feet above finished grade in the area of the venting, including but not limited to decks and porches, the following requirements shall be satisfied.
1. **INSTALLATION OF CARBON MONOXIDE DETECTORS.** At the time of installation of the side wall horizontal vented gas fuelled equipment, the installing plumber or gas fitter shall observe that a hard wired carbon monoxide detector with an alarm and battery back-up is installed on the floor level where the gas equipment is to be installed, in addition, the installing plumber or gas fitter shall observe that a battery operated or hard-wired carbon monoxide detector with an alarm is installed on each additional level of the dwelling, building or structure served by the side wall horizontal vented gas fuelled equipment. It shall be the responsibility of the property owner to secure the services of qualified licensed professionals for the installation of hard-wired carbon monoxide detectors.
 - a. In the event that the side wall horizontally vented gas fuelled equipment is installed in a crawl space or an attic, the hard-wired carbon monoxide detector with alarm and battery back-up may be installed on the next adjacent floor level.
 - b. In the event that the requirements of this subdivision cannot be met at the time of completion of installation, the owner shall have a period of thirty (30) days to comply with the above requirements; provided, however, that during said thirty (30) day period, a battery operated carbon monoxide detector with an alarm shall be installed.
 2. **APPROVED CARBON MONOXIDE DETECTORS.** Each carbon monoxide detector as required in accordance with the above provisions shall comply with NFPA 720 and be ANSI/UL 2034 listed as IAS certified.
 3. **SIGNAGE.** A metal or plastic identification plate shall be permanently mounted to the exterior of the building at a minimum height of eight (8) feet above grade directly in line with the exhaust vent terminal for the horizontally vented gas fuelled heating appliance or equipment. The sign shall read, in print size no less than one-half (1/2) inch in size, "GAS VENT DIRECTLY BELOW. KEEP CLEAR OF ALL OBSTRUCTIONS"
 4. **INSPECTION.** The state or local gas inspector of the side wall horizontally vented gas fuelled equipment shall not approve the installation unless, upon inspection, the inspector observes carbon monoxide detectors and signage installed in accordance with the provisions of 248 CMR 5.089(2) (a) 1 through 4.
- (b) **EXEMPTIONS.** The following equipment is exempt from 248 CMR 5.089(2)(a) 1 through 4.
1. The equipment listed in Chapter 10 entitled "Equipment Not Required To Be Vented" in the most current edition of NFPA 54 as adopted by the Board; and
 2. Product Approved side wall horizontal vented gas fuelled equipment installed in a room or structure separate from the dwelling, building or structure used in whole or in part for residential purposes.
- (c) **MANUFACTURER REQUIREMENTS – GAS EQUIPMENT VENTING SYSTEM PROVIDED.** When the manufacturer of Product Approved side wall horizontally vented gas equipment provides a venting system design or venting system components with the equipment, the instructions provided by the manufacturer for installation of the equipment and the venting system shall include:
1. Detailed instructions for the installation of the venting system design or the venting system components; and
 2. A complete parts list for the venting system design or venting system.
- (d) **MANUFACTURER REQUIREMENTS – GAS EQUIPMENT VENTING SYSTEM NOT PROVIDED.** When the manufacturer of a Product Approved side wall horizontally vented gas fuelled equipment does not provide the parts for venting the fuel gases, but identifies "special venting systems;" the following requirements shall be satisfied by the manufacturer.
1. The referenced "special venting system" instructions shall be included with the appliance or equipment installation instructions; and
 2. The "special venting systems" shall be Product Approved by the Board, and the instructions for that system shall include a parts list and detailed installation instructions.
- (e) A copy of all installation instructions for all Product Approved side wall horizontally vented gas fueled equipment, all venting instructions, all parts lists for venting instructions, and/or all venting design instructions shall remain with the appliance or equipment at the completion of the installation.

———— Congratulations on your Town & Country purchase ————

Your Architectural Series Zero Clearance linear appliance has been professionally installed by:

Dealer name: _____

Phone Number: _____

If you discover any problems with your linear appliance, contact your dealer immediately to have the unit repaired.

Caution: Do not attempt to repair the linear appliance because you may cause injury to yourself or others, and risk causing damage to the unit.

Before operating your linear appliance carefully read this manual and pay close attention to all Safety Warnings. The manual contains important information on the unit's safe operation and maintenance.

———— Installation Requirements/Appliance Specifications ————

Town and Country Architectural Series linear appliance.

Specifications

- This unit has been tested to ANSI Z21.50 and CSA P.4.1 specifications.
- Single wall (min. 26 ga) galvanized ducting (zero clearance).
- 120VAC / single phase
- 24VAC Honeywell direct ignition valve system.
- Power vented only. Programmed with pre and post-purge safety functioning. Certified to use provided Town & Country power vent only.
- Horizontal or Vertical Termination.
- Zero clearance unit (no non-combustible board required).
- Exhaust 12" Rigid or B-vent(See Local Building Codes) - 150ft max length plus up to 6 elbows. (Zero clearance)
- 7" rigid intakes - (All bottom intake models) 150 ft max length plus up to 6 elbows (zero clearance).
- 10" rigid intakes - (All top intake models) 150 ft max length plus up to 6 elbows (zero clearance).

———— Installation Requirements ————

The fireplace installation and venting must conform to the current CAN/CGA-B149 installation code (in Canada) or the current National Fuel Gas Code, ANSI Z223.1 (in the USA), and approved per local codes. Only qualified (licensed or trained) personnel should install this product.

In the state of Massachusetts, only a licensed Plumber and Gas Fitter may install this product.



Vent Terminal Minimum Clearances

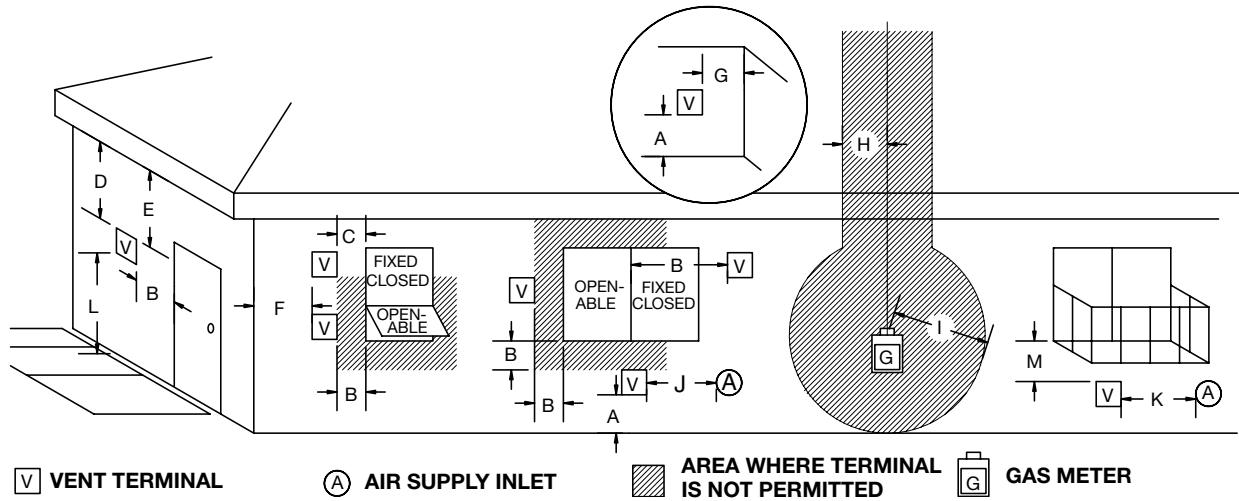


Figure 1: Vent terminal minimum clearances.

A=	*12 inches (30 cm) min.	Clearances above grass, top of plants, wood, combustible veranda, porch, deck, or balcony.
B=	*12 inches (30 cm) min.	Clearance beside or below a window or door that may be opened.
C=	12 inches (30 cm) min.	Clearance to permanently closed window recommended to prevent condensation on window.
D=	16 inches (40 cm) min.	Vertical clearance to ventilated soffit located above the terminal within a horizontal distance of 16 inches (40 cm) .
E=	30 inches (76 cm) min.	Clearance to unventilated soffit.
F=	6 inches (15 cm) min.	Clearance to outside corner.
G=	6 inches (15 cm) min.	Clearance to inside corner.
H=	3 feet (90 cm) min.	*Not to be installed above a meter/regulator assembly within 3feet (90 cm) horizontally from the center-line of the regulator.
I=	*6 feet (1.8 m) min.	Clearance to service regulator vent outlet.
J=	*12 inches (30 cm) min.	Clearance to non mechanical air supply inlet to building or the combustion air inlet to any other appliance.
K=	*6 feet (1.8 m) min.	Clearance to a mechanical air supply inlet.
L=	7 feet (2.1 m) min.	^ Clearance above paved side-walk or a paved driveway located on public property
M=	30 inches (76 cm) min.	Clearance under veranda, porch, deck, or balcony

^ a vent shall not terminate directly above a side-walk or paved driveway which is located between two single family dwellings and serves both dwellings*

** only permitted if veranda, porch, deck, or balcony is fully open on a minimum of 2 sides beneath the floor*

* as specified in CGA B149 Installation Codes, Note: local Codes or Regulation may require different clearances

* for U.S.A. Installations follow the current National Fuel Gas Code, ANSI Z223.1

Minimum Clearances to Combustible Material

This See-Thru Linear appliance is a zero clearance fire feature. Combustible material may be used to frame the unit in.

Venting for this unit is also zero clearance. Combustible material is permitted to come into direct contact with venting material.

Btu Values and Weights

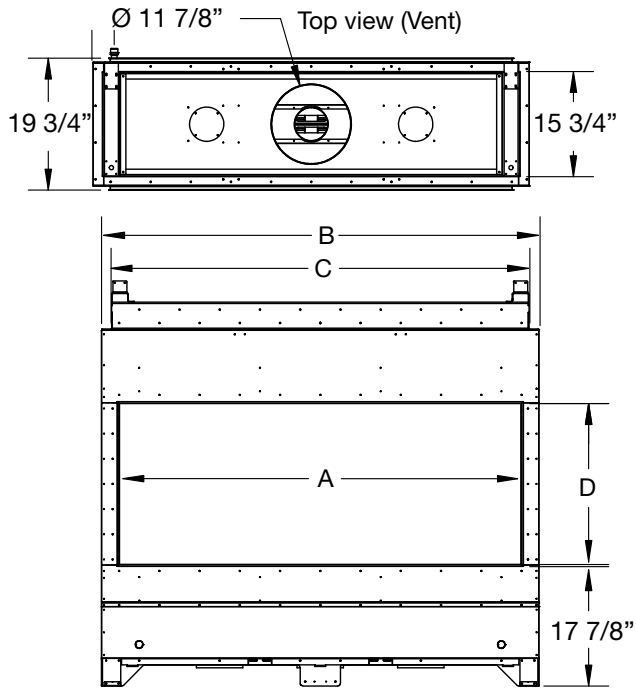
See Through	3FT	4FT	5FT	6FT	7FT	8FT
BTR/HR	48000	64000	80000	96000	112000	128000
16" Glass Weight lbs	383	448	530	599	668	735
24" Glass Weight lbs	460	503	592	669	750	821
32" Glass Weight lbs	537	580	669	746	827	898



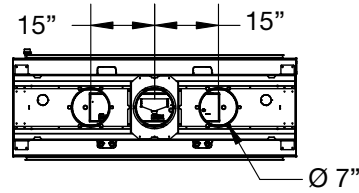
Appliance Dimensions

Bottom Intake Models

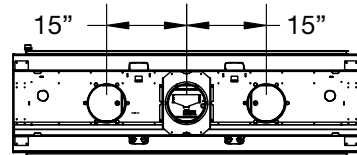
	3'	4'	5'	6'	7'	8'
A	47 7/8"	59 7/8"	71 7/8"	83 7/8"	95 7/8"	107 7/8"
B	53 1/4"	65 1/4"	77 1/4"	89 1/4"	101 1/4"	113 1/4"
C	50 1/4"	62 1/4"	74 1/4"	86 1/4"	98 1/4"	110 1/4"



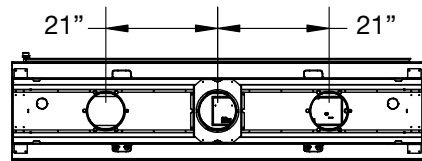
Bottom view (Intakes)



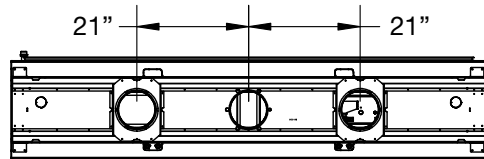
3 foot



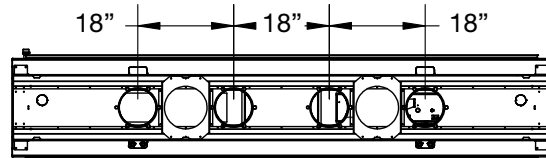
4 foot



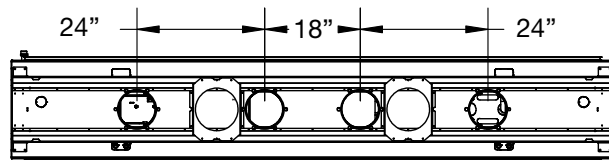
5 foot



6 foot



7 foot



8 foot

Glass Height	16"	24"	32"
D	16"	24"	32"
E	45 1/4"	53 1/4"	61 1/4"
F	50 5/8"	58 5/8"	66 5/8"

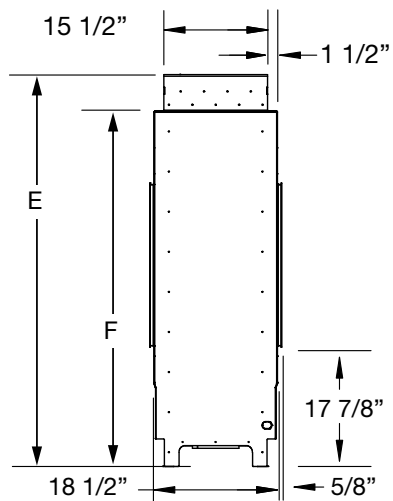
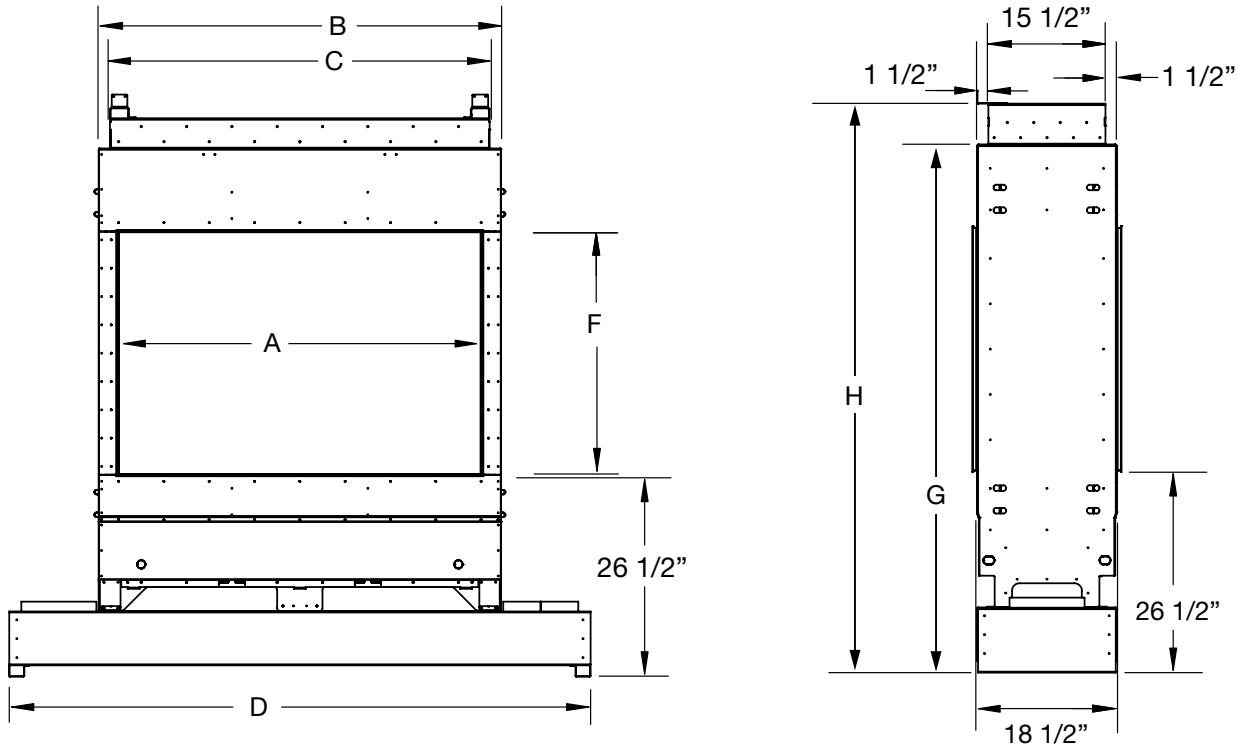


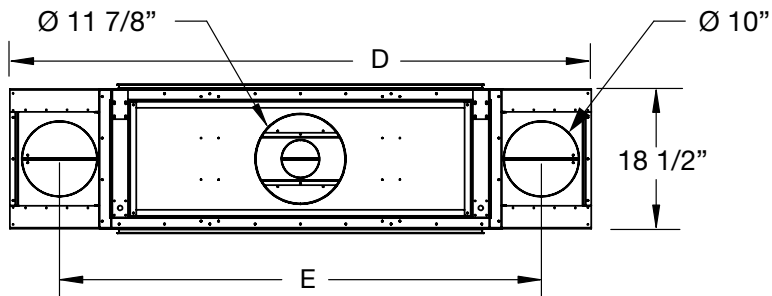
Figure 2: See Thru Unit - Bottom Intake.

Top Intake Models

	3'	4'	5'	6'	7'	8'
A	47 7/8"	59 7/8"	71 7/8"	83 7/8"	95 7/8"	107 7/8"
B	53 1/4"	65 1/4"	77 1/4"	89 1/4"	101 1/4"	113 1/4"
C	50 1/4"	62 1/4"	74 1/4"	86 1/4"	98 1/4"	110 1/4"
D	70"	89"	101"	113"	125"	137"
E	63 3/4"	75 3/4"	87 3/4"	99 3/4"	111 3/4"	110 1/4"



Top view (Vent)



Glass Height	16"	24"	32"
F	16"	24"	32"
G	54"	62"	70"
H	59 5/8"	67 5/8"	75 5/8"

Figure 3: See Thru Unit - Top Intake.



Locating the Unit

Because the Linear Appliance is power vented, it can be located in a variety of places. Consideration must be taken for the location of the fresh air intake and the power vent unit venting. A site fabricated platform capable of supporting approximately 525 lbs and constructed so that it can accommodate the fresh air intake venting, gas supply and electrical supply may be used.

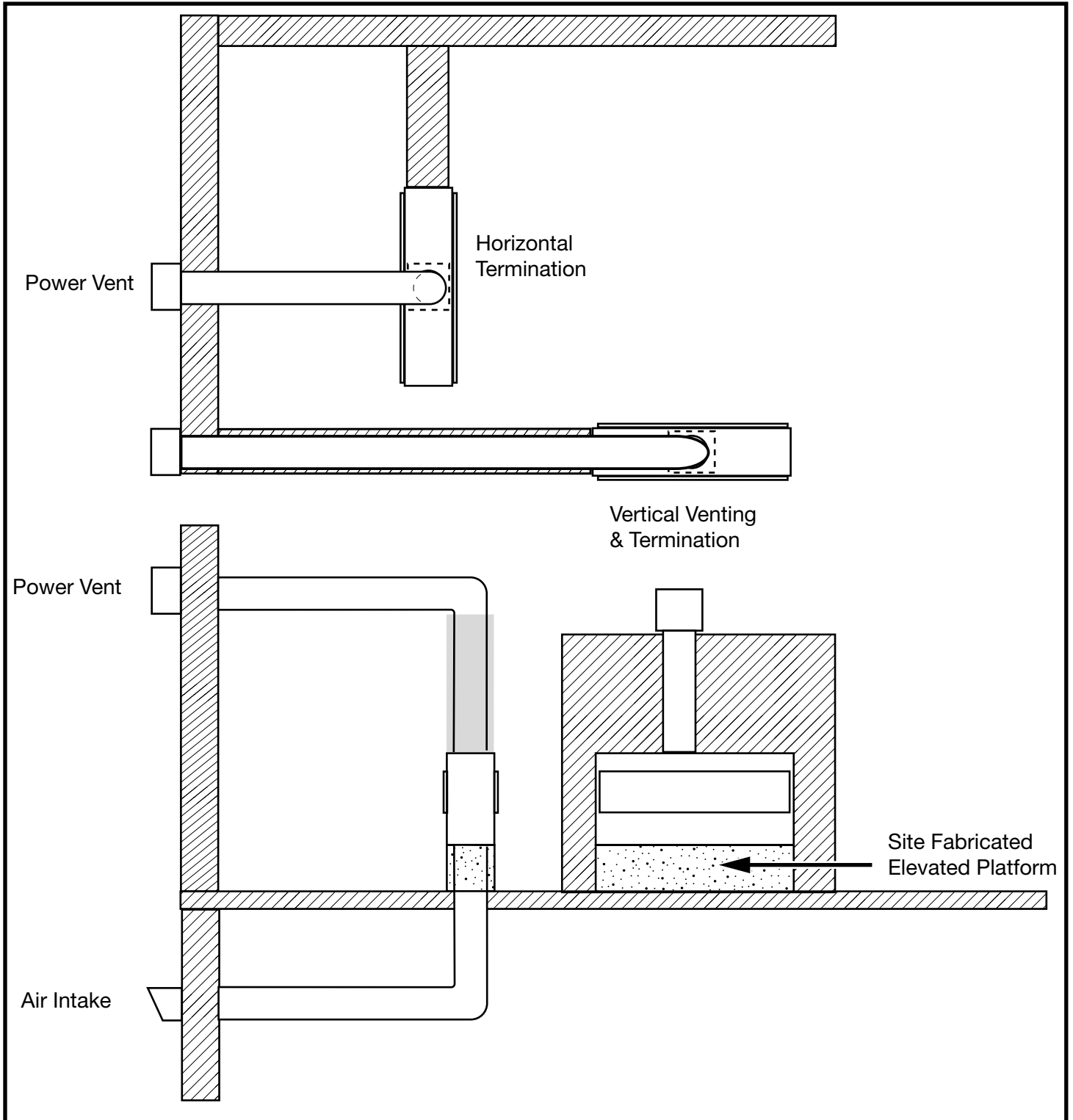


Figure 4: Locating the 8 ft Linear appliance.ai

Framing and Finishing

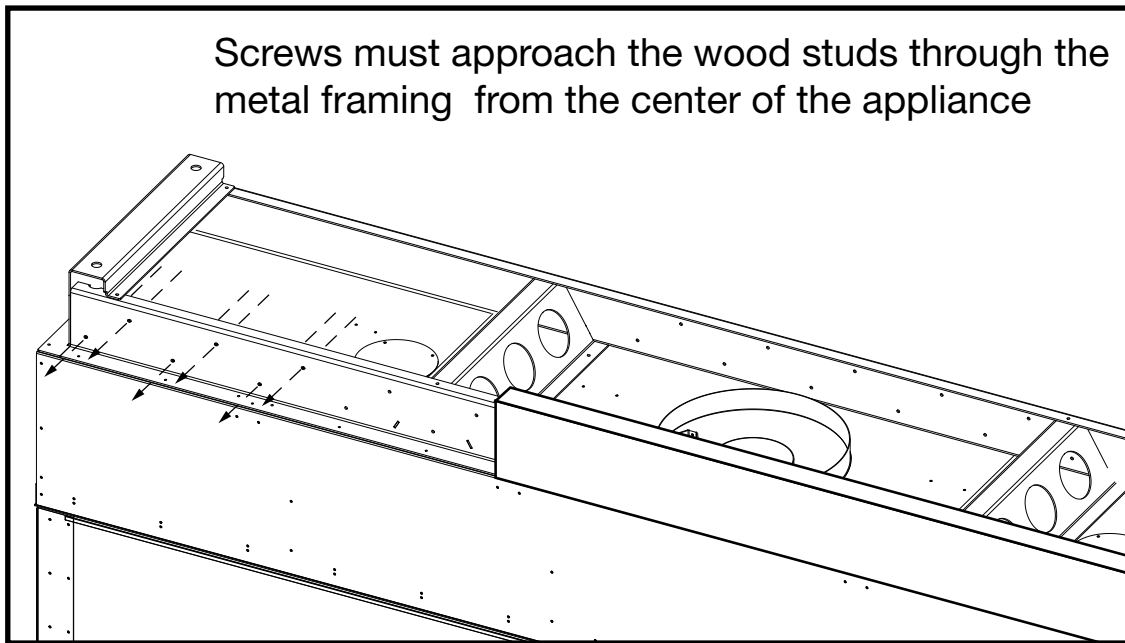


Figure 5: Stud securing points.

Before framing and finishing, there are two important things to keep in mind:

1. When securing the top of the unit to the wooden studs, the screws must come through the metal framing from the center of the unit (Figure 5).
2. Facing material can be attached directly to the front and side of the unit except in the areas indicated in Figure 6.

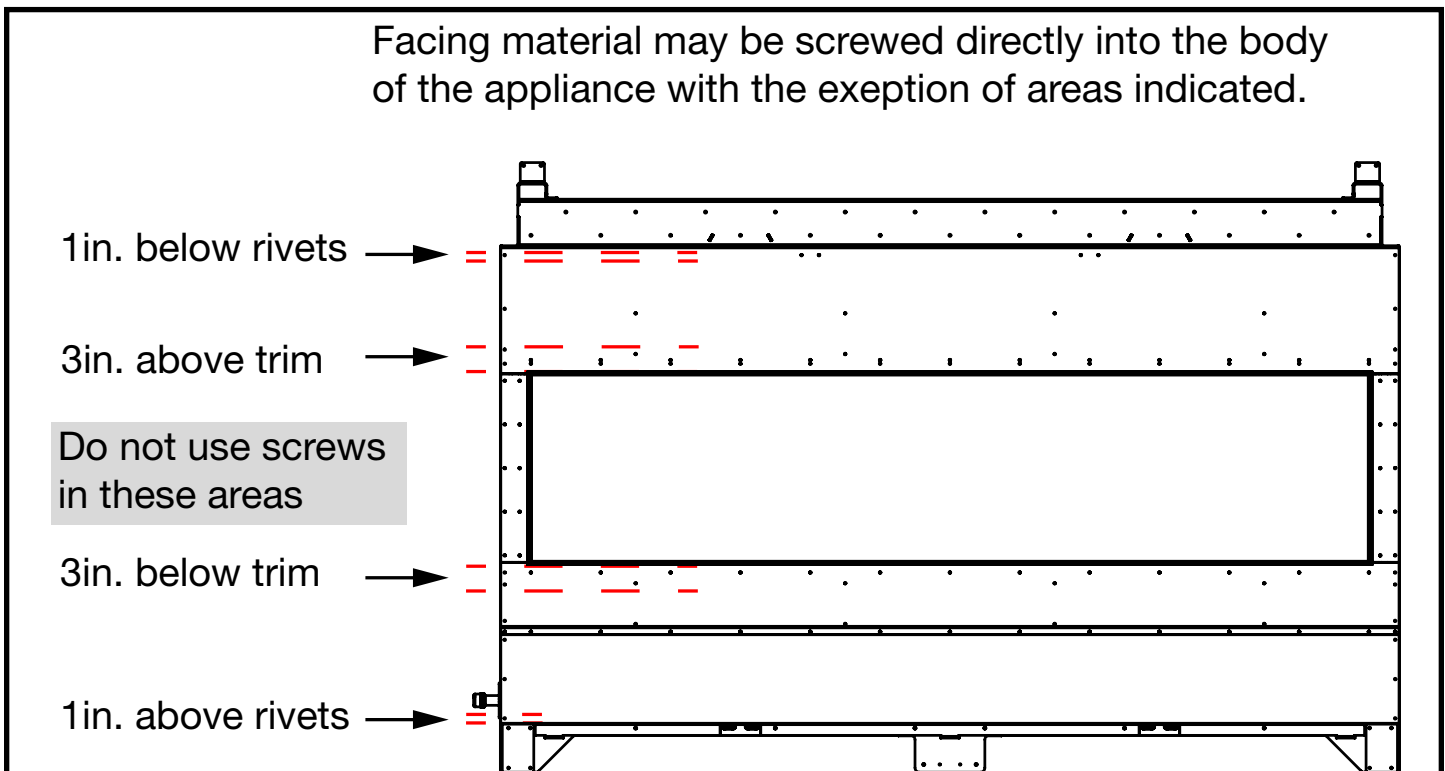


Figure 6: Facing attachment area.



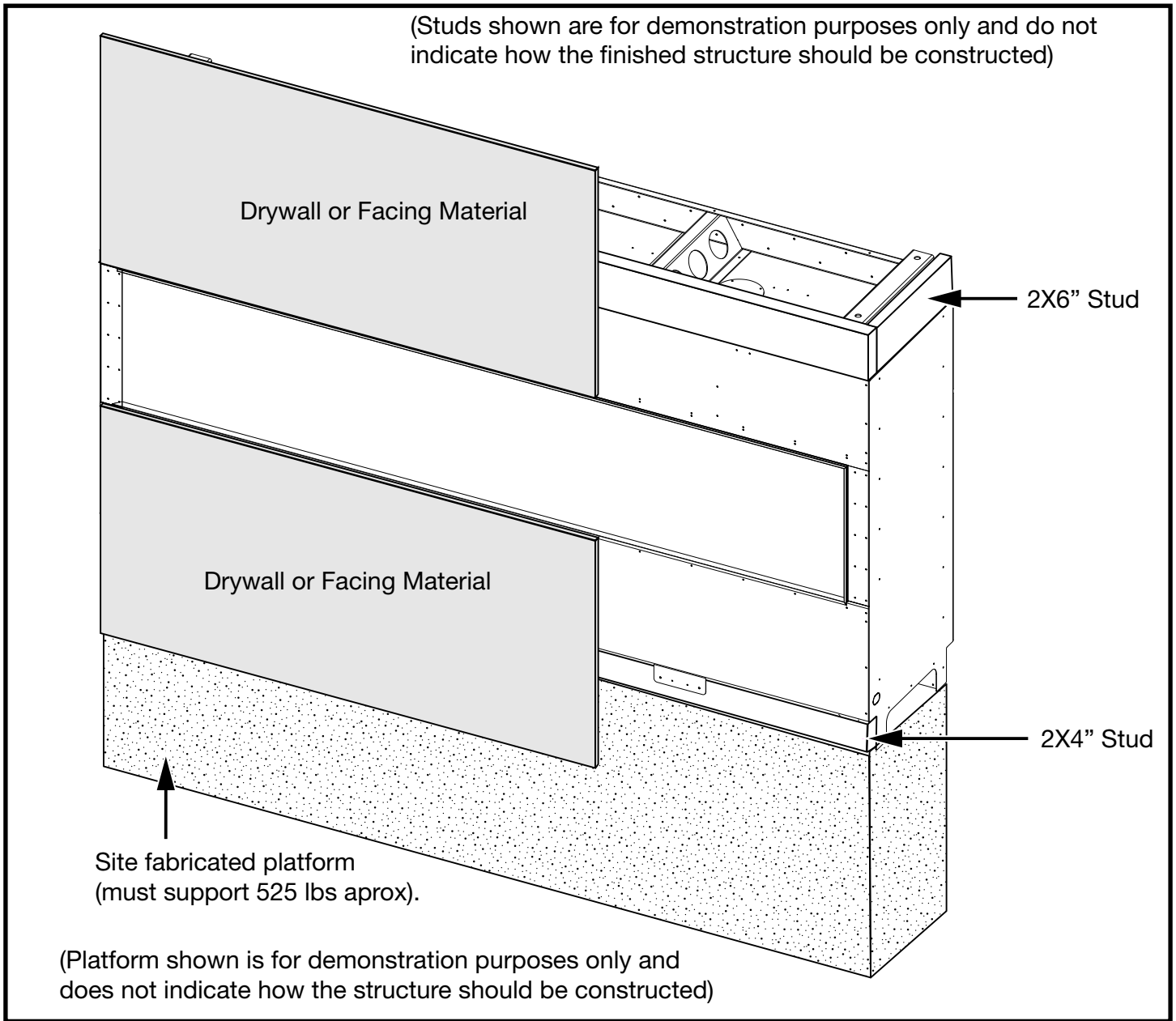


Figure 7: Framing and facing.

Framing

Framing in the unit begins with determining how high from the floor the unit will sit. A platform capable of supporting the weight of the unit (525 lbs approx) and able to house the fresh air intake venting must be built. Standard 2X4"s can be used for building the frame at the bottom of the unit and 2X6"s can be used for building the frame at the top of the unit (Figure 7).

On the top of the unit, a pony wall can be built to the ceiling. This pony wall will also accommodate the exhaust venting material. Both supporting structure and pony wall must be tied into wall framing.

The building of the supporting structure and the pony wall must be built to local building codes.

Facing Material

Because the unit requires no clearance to combustible material, drywall or other facing material can be affixed directly to the surface of the unit. Using standard 2x4's and 2x6's in the framing process allows for the edge of 1/2" drywall or other facing material to fit into the channels which make up the perimeter of the exterior glass sheets (Figure 8 and Figure 9).

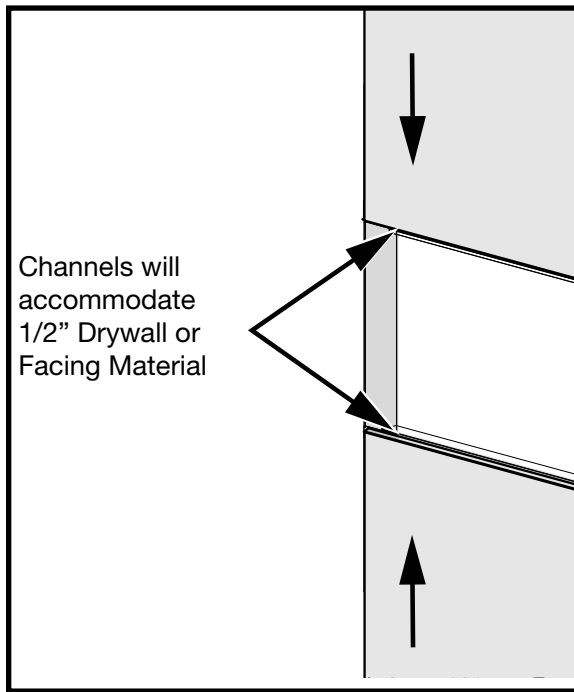


Figure 8: Leading edge of drywall.

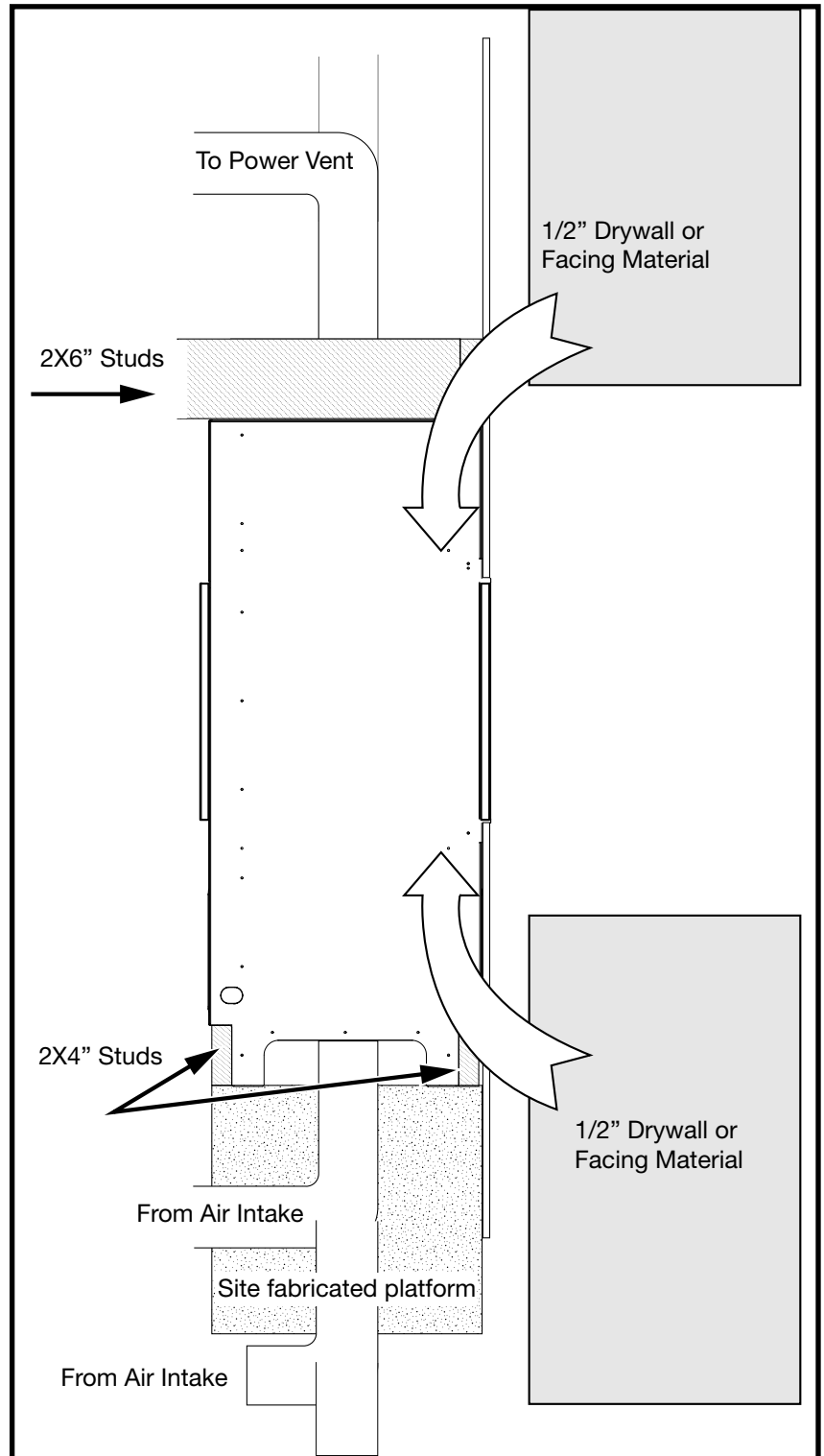


Figure 9: Left side framing and facing view.



Venting Configuration

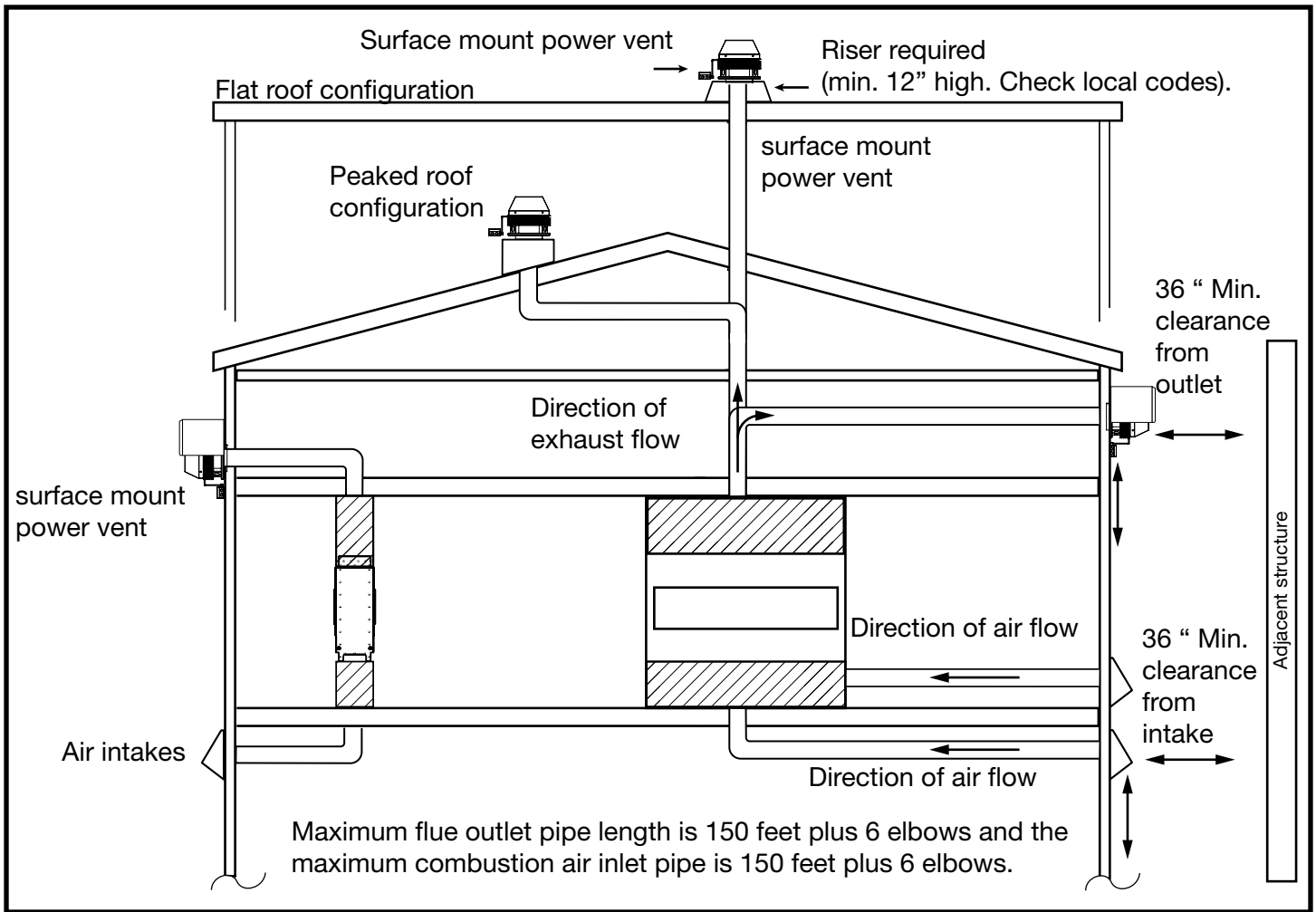


Figure 10: 5 Ft venting configurations.

Venting plenum

Intake must be a minimum single wall, 26ga galvanized.

Exhaust 12" Rigid or B-vent(See Local Building Codes)

NOTE: Plenum must not be shared with other appliances.

Some installations - particularly in new renovations or with pre-existing constraints / obstacles may require the construction of a plenum in order to accommodate multiple air intakes when the air intakes are unable to be routed through the floor normally as shown in Figure 10. This may be because the floor may be made of concrete.

The plenum must be made of furnace ducting or other material impervious to moisture. The constructed plenum must have a minimum cross-section of 150 square inches and be sealed to the collars at the base of the appliance. The plenum may be transitioned to a single intake as long as the 150 square inch cross-section is maintained.

For a single air intake, the rule of a maximum of 150 feet plus 6 elbows still applies.

Venting Specifications

Bottom Intake

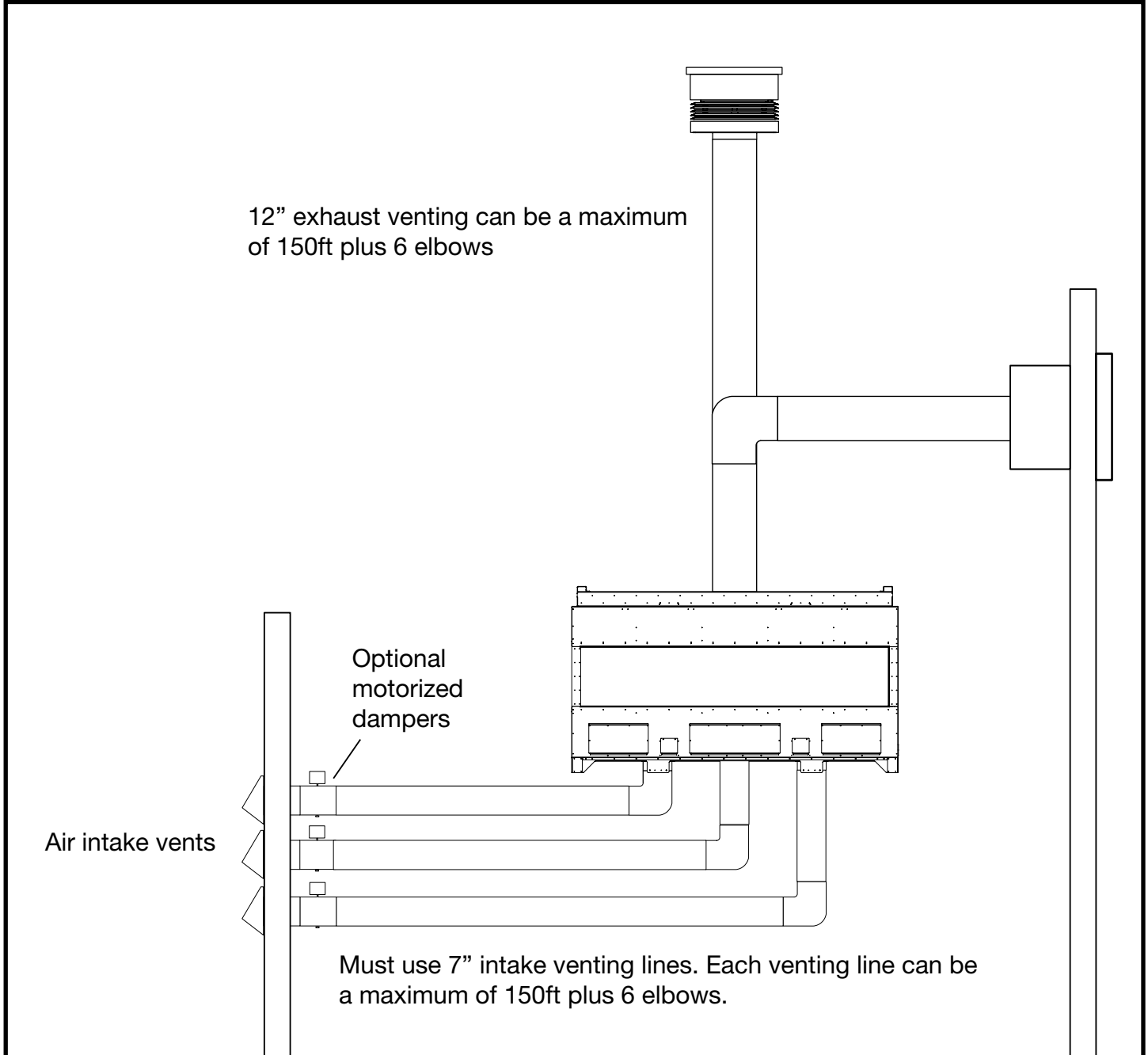
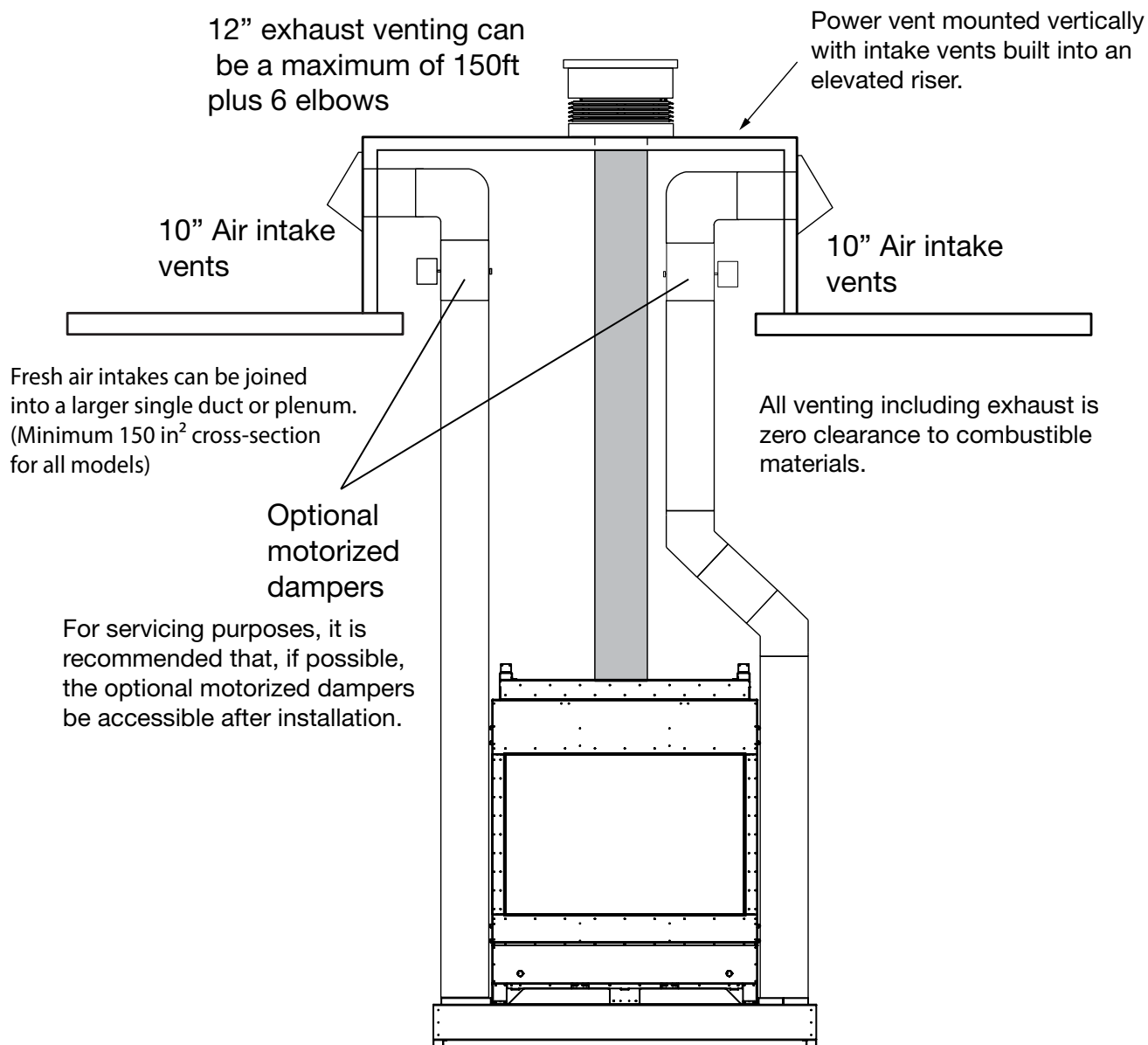


Figure 11: Venting specifications.

- Air intake venting uses 3 - 7" standard single wall furnace grade venting material. All 3 must be used. Each intake line can be up to a maximum of 150 ft plus 6 elbows.
- Motorized dampers are optional.
- Exhaust venting uses 12" standard single wall furnace grade venting material. Maximum length is 150 ft plus 6 elbows.



Top Intake



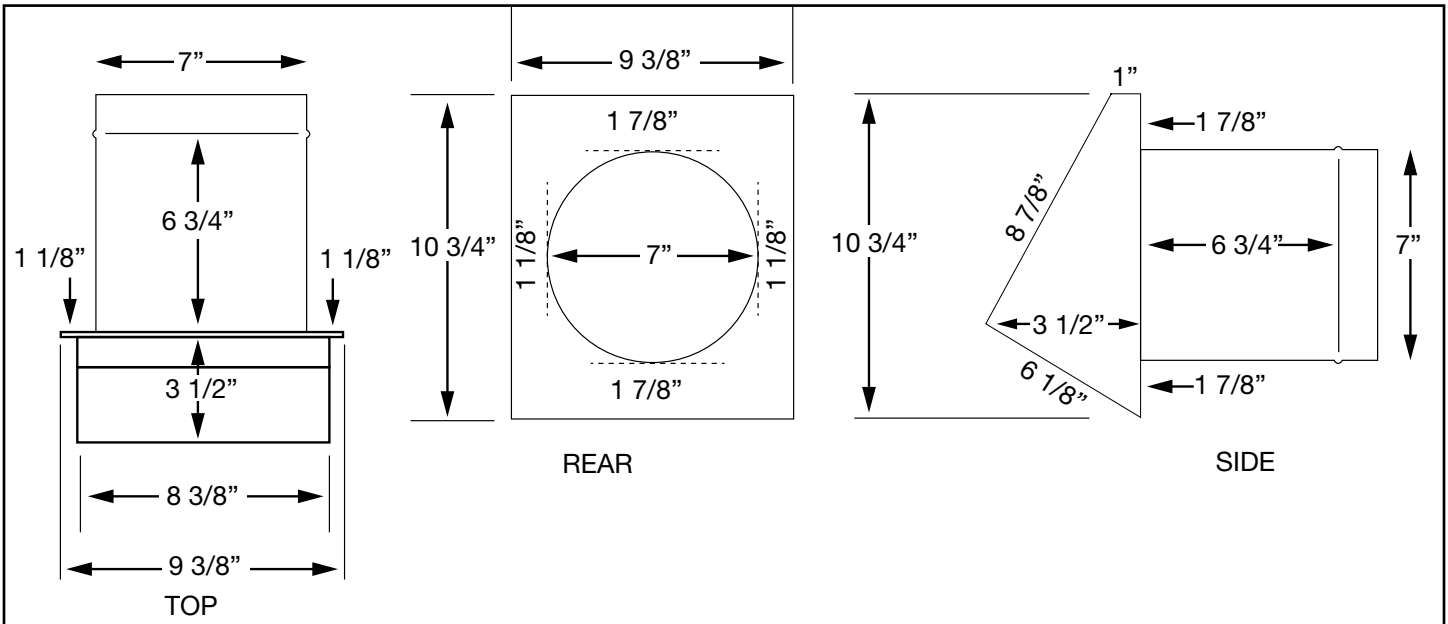
Must use 10" intake venting lines. Each venting line can be a maximum of 150ft plus 6 elbows.

Figure 12: See Thru Venting specifications - Top Inlet.ai

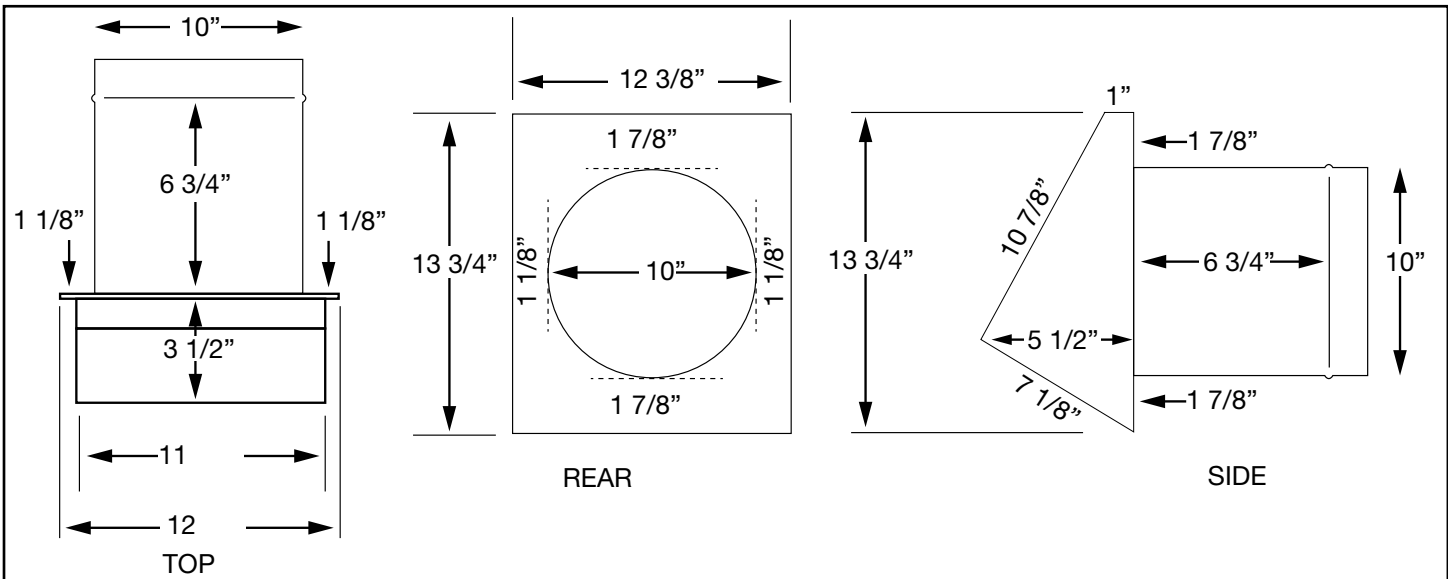
- Top Air intake venting uses two 10" standard single wall furnace grade venting ducts on all models. Both lines must be used. Each intake line can be up to a maximum of 150 ft plus 6 elbows.
- Motorized dampers are optional.
- Exhaust venting uses 12" standard single wall furnace grade venting material. Maximum length is 150 ft plus 6 elbows.
- All Vent seams (Intake and Exhaust) including elbow rivets must be sealed with high temperature aluminum tape.

Air Intake

7" Intake



10" Intake



Optional Motorized Damper



Figure 13: Optional motorized damper.

The optional motorized damper closes off air from the outside being able to enter the fireplace when the fireplace is off. This unit is mounted near the air intake vent. This unit is wired directly to the fireplace body (Figure 48 on page 33). One motorized damper is required for each of the 3 air intake venting lines.

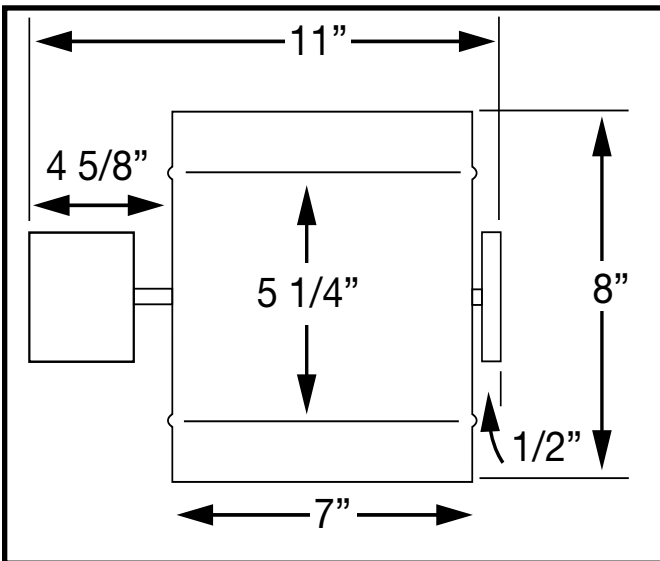


Figure 14: Motorized damper dimensions.

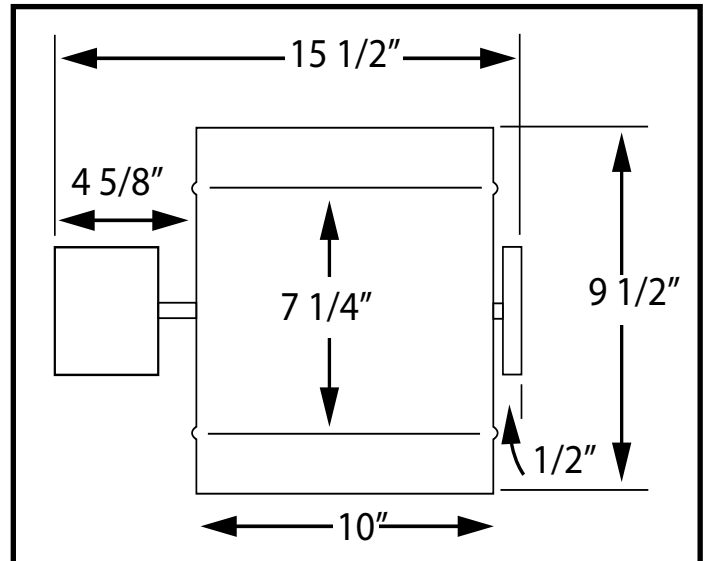


Figure 15: 10 inch Motorized damper dimensions.

Power Vent

This section is an overview of the Power Vent Installations. Consult the specific Power Vent Manual (included with each power vent) for up to date and detailed instructions.

NOTE: The installer must supply;

- An approved 14ga. household power wire from the fireplace to the Power Vent, for the 120VAC power. and,
- A minimum 18ga, 2 conductor (bell/alarm) wire from the fireplace to the power vent for the 24VAC Blower Control.

Electrical Motor specifications:

115 VAC Single phase, 60 Hz 1/2 HP 6.8 Amps

Weight: Aprox. 30 lbs.

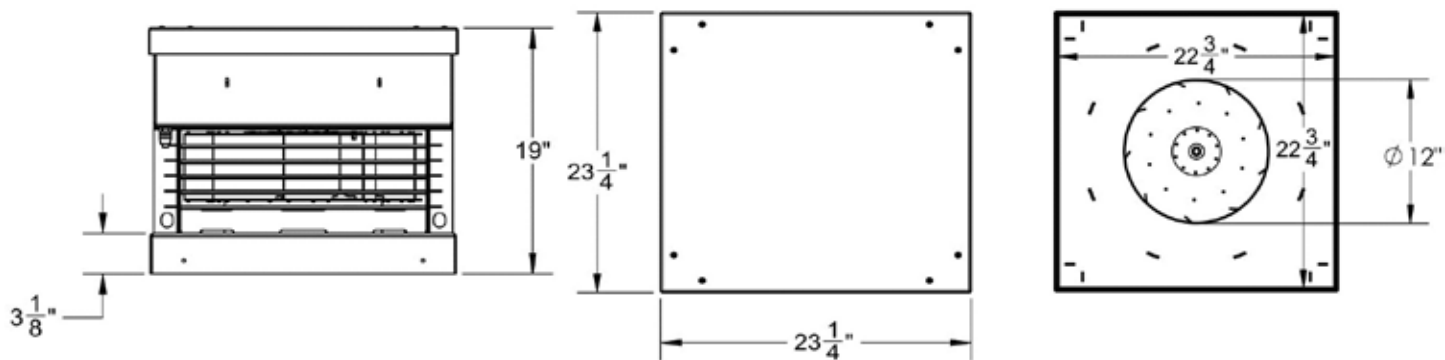


Figure 16: Power vent.

Architectural Series Power Vent with junction box attached.



Power Vent Dimensions



Vertical Installation

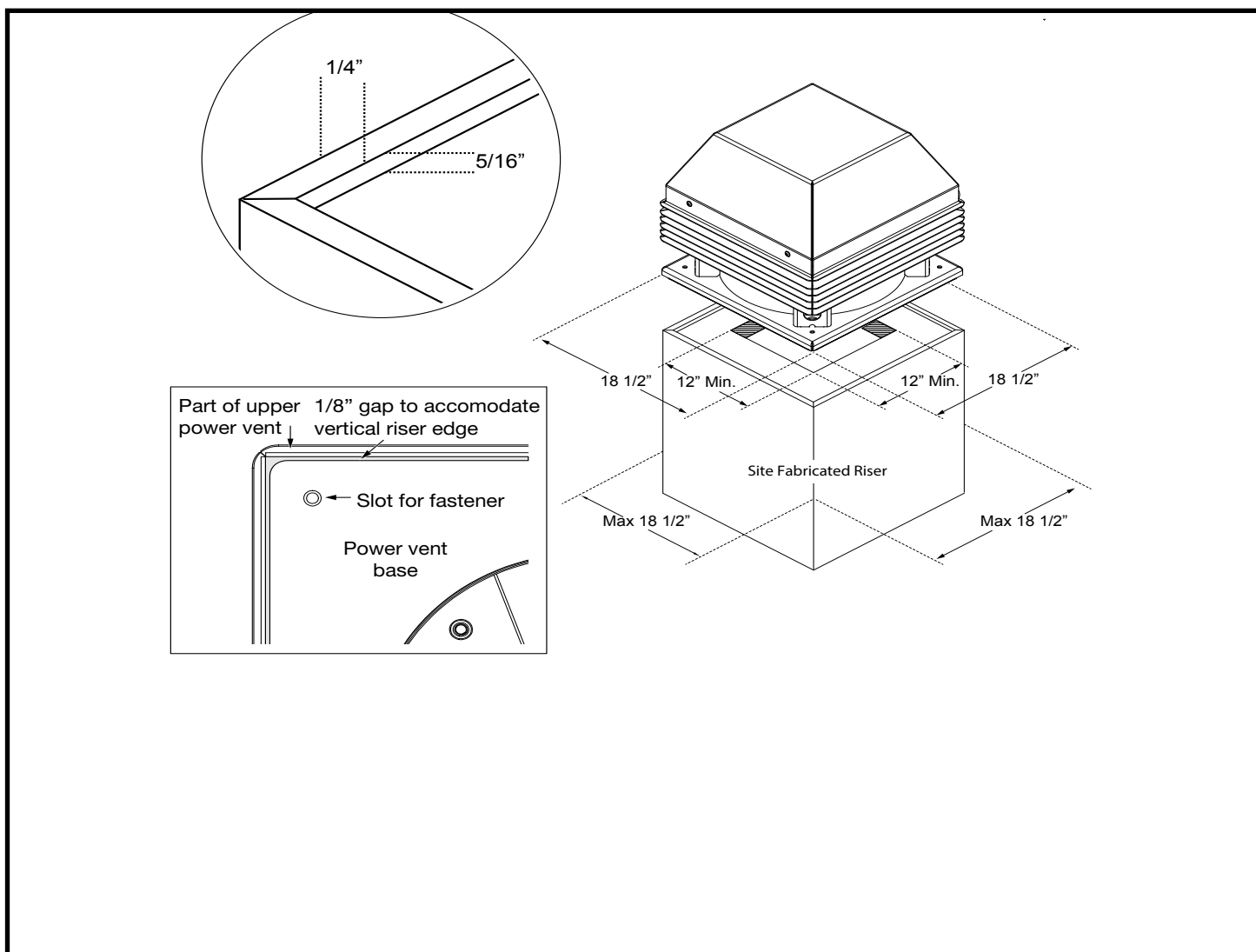


Figure 17: Power vent vertical installation.

Horizontal Installation

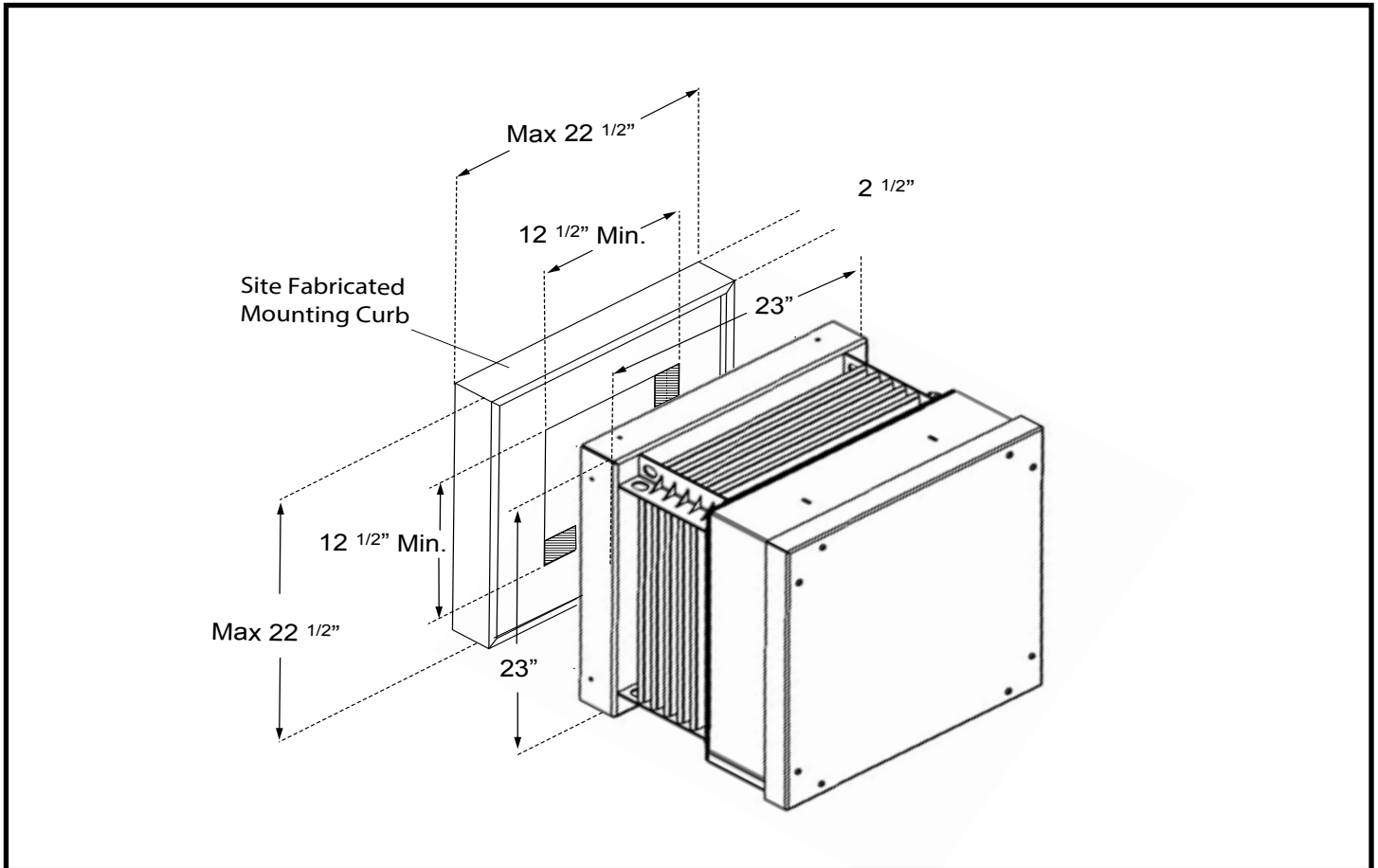


Figure 18: Power vent horizontal installation.

When installing the power vent horizontally, ensure the side of the power vent with the attached electrical junction box is facing downwards.

Use exterior silicone/caulk around the base of the power vent to seal it to the building envelope.

Any horizontal run leading to the power vent shall be sloped down to the outside at a minimum of 1/4 inch per foot of vent length.



Vent Terminal Clearance

Note: Minimum 3 feet clearance from solid objects/walls or between multiple power vents.

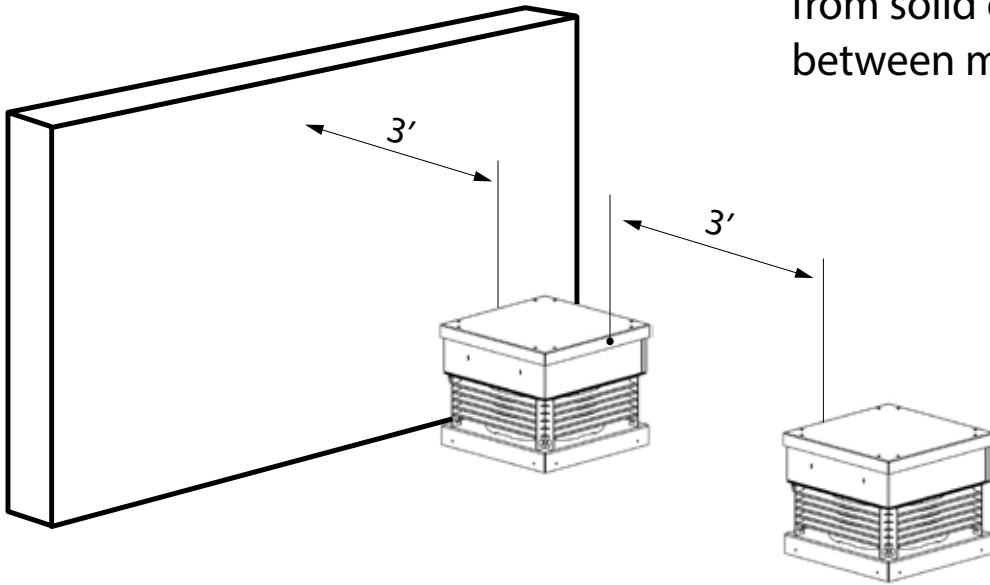


Figure 19: Power vent clearances.

Power Vent Wiring

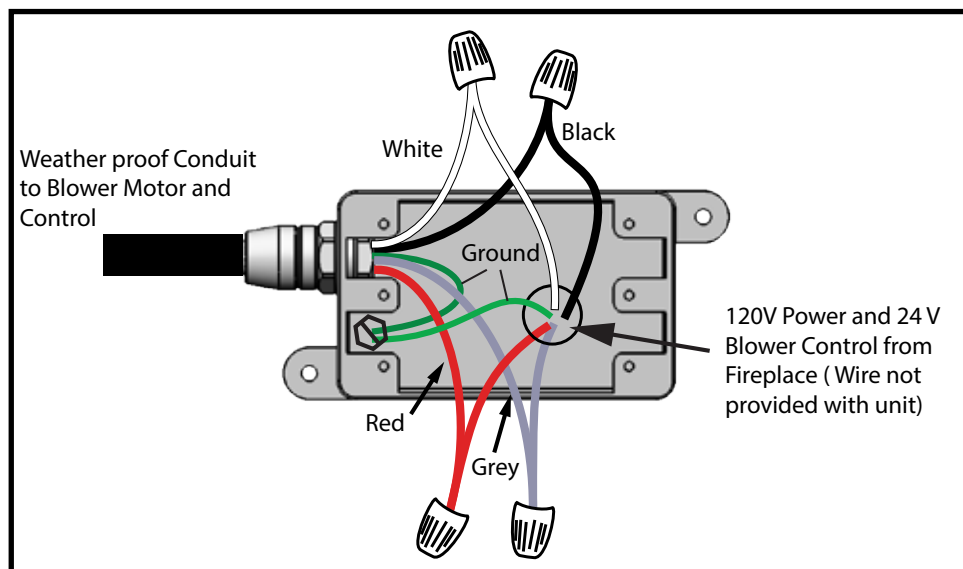


Figure 20: T.S. Wiring diagram.

Flush Mount Power Vent Dimensions

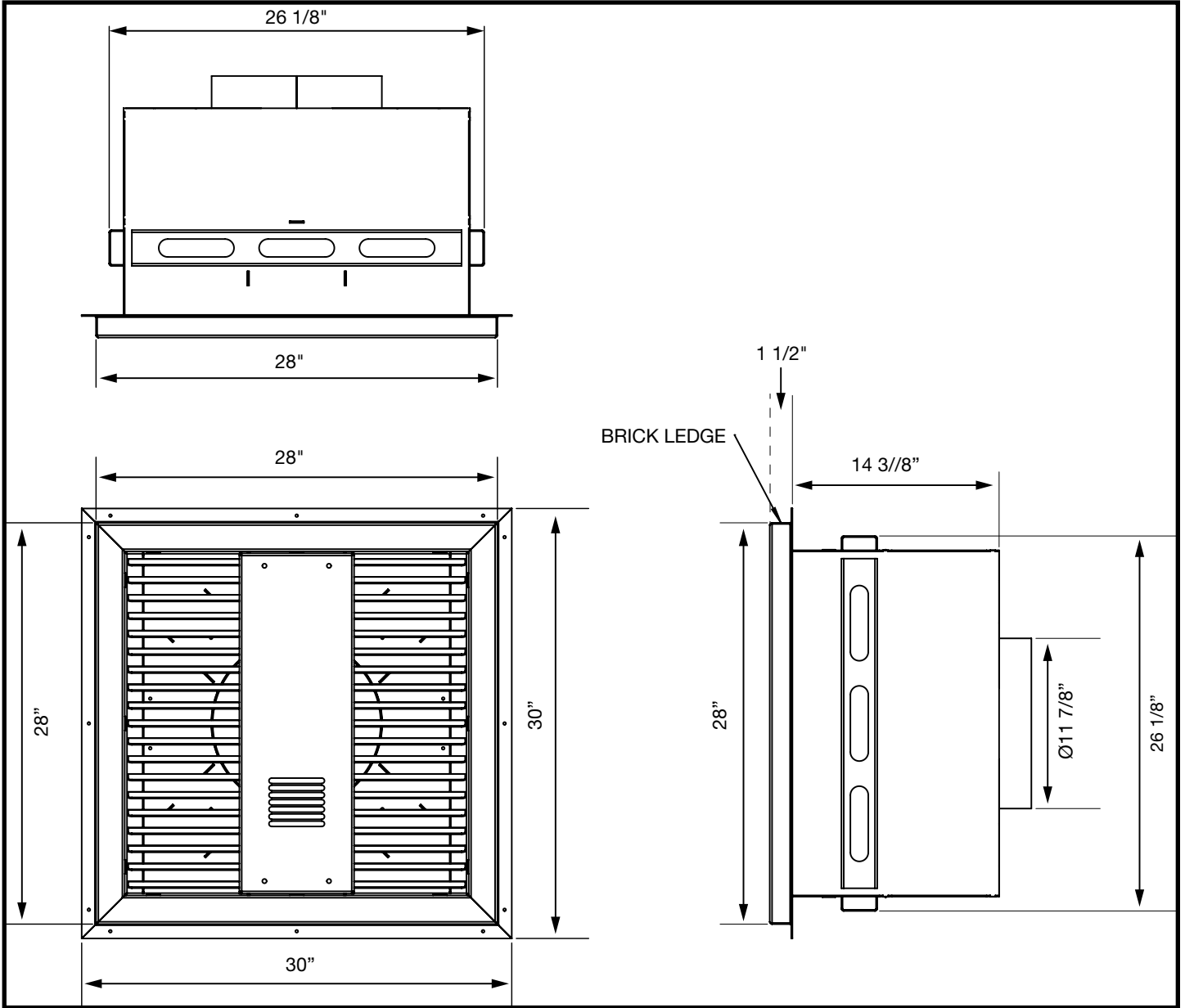


Figure 21: Architectural series power vent dimensions.



Framing the Flush Mount Power Vent

Recommended framing. See local building codes for more information.

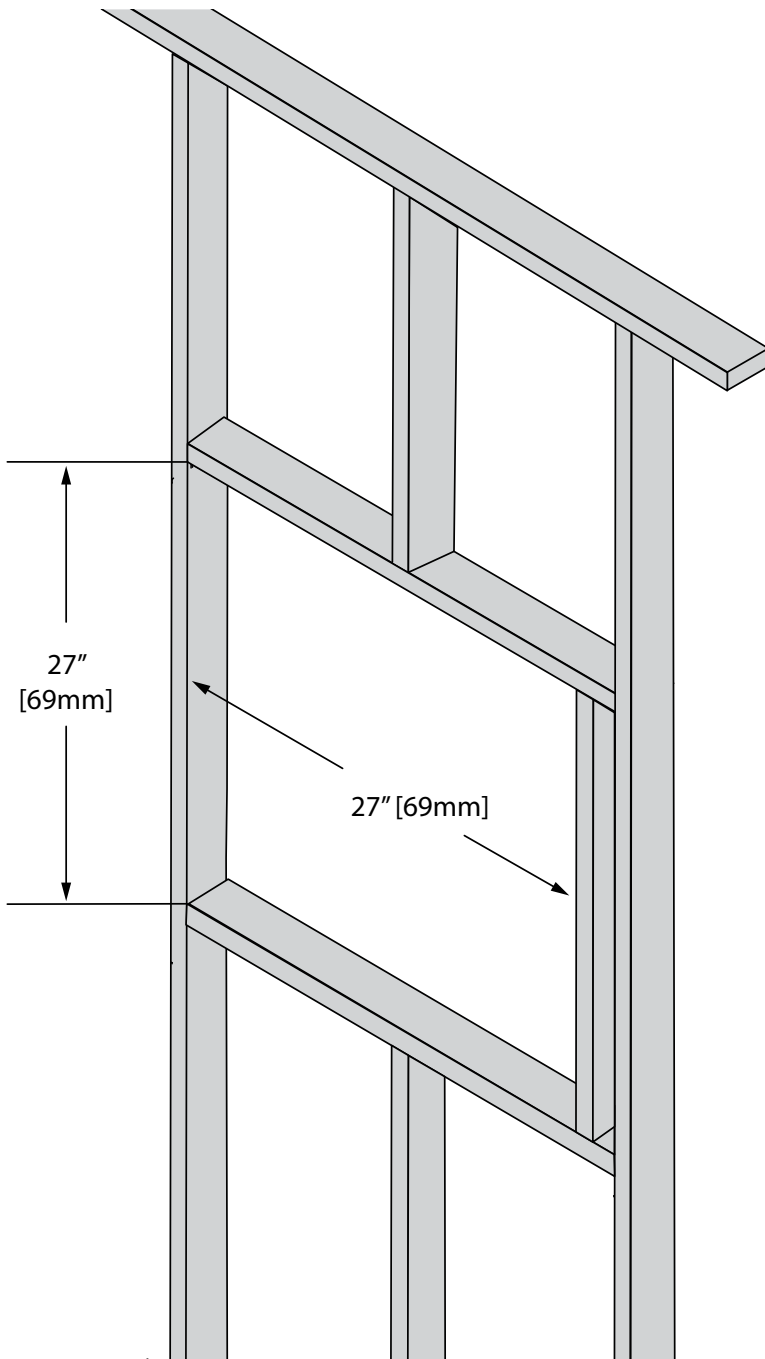


Figure 22: PV Framing Dimensions.

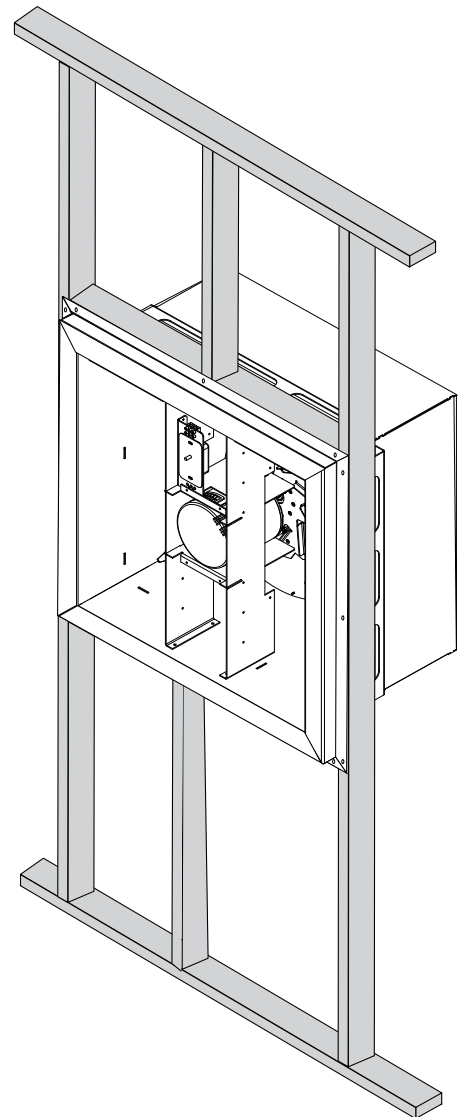


Figure 23: Fan - without grill, installed.

Flush Mount Electrical Connection

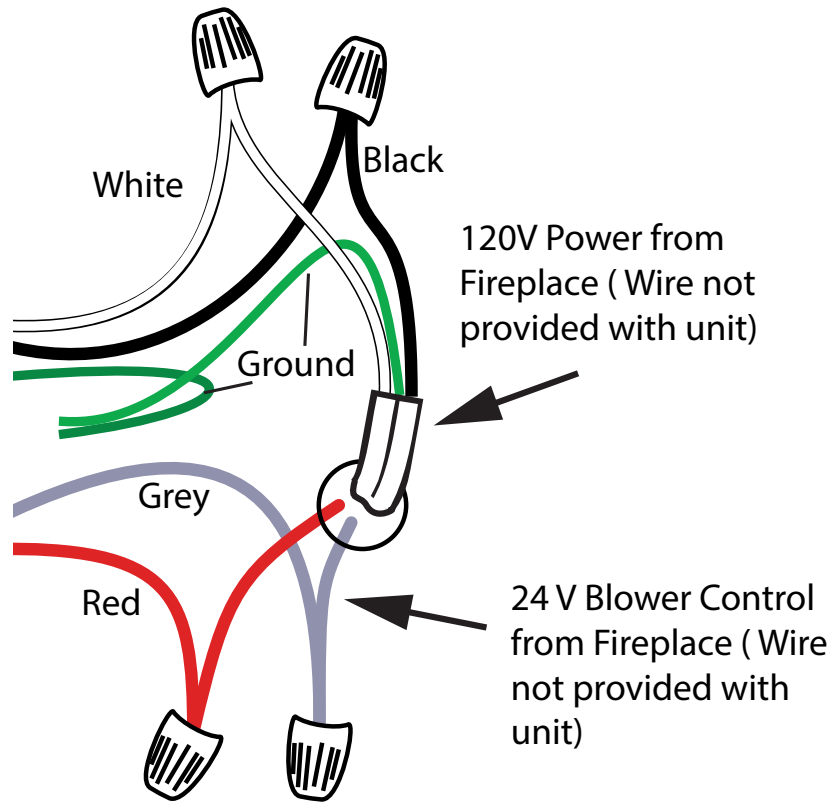


Figure 24: FMPV Wiring Diagram.



Baffle Installation and Adjustment



Figure 25: Adjustable baffle ports.



Figure 26: Installing baffle cover.

The air baffle (Figure 25) is set before it is shipped and should not require adjustment. However, if adjustment is required, the sliding plates can be moved by inserting a pencil or other object up through the baffle cover (Figure 28) and adjusted.

The baffle cover is secured by six bolts (Figure 27). Always begin and end installation or removal with the center bolts.



Figure 27: Securing the baffle cover.



Figure 28: Adjustment accessible through the baffle cover.

Black Glass Option Installation



Figure 29: Side wall before black glass installation.



Figure 30: Insert top of side black glass first.

1. Using a supplied suction handle, insert the top edge of the side black glass plate into its slot located on the ceiling of the unit (Figure 30).
2. With the top edge of the plate lifted into its slot, maneuver the bottom edge of the plate over top of the mesh tray and lower the plate down into its slot (Figure 31).
3. Repeat procedure for opposite side black glass plate.
4. Once all black glass plate are installed, fill the burner tray with crushed glass media.



Figure 31: Insert bottom end of side black glass plate.

Crushed Glass Media Installation



Figure 32: Twilight Diamond crushed glass media.



Figure 33: Applying crushed glass on burner tray.

The amount of crushed glass media provided is dependent on the length of the unit. Four pounds are allotted for each foot length of the unit.

Spread all of the crushed glass media in the burner tray (Figure 33). Cover all of the black mesh burner tray but do not cover the pilot assembly or the burner ports (Figure 34).



Figure 34: Exposed holes beneath the igniter.

Gas Connection



Figure 35: Gas connection point.

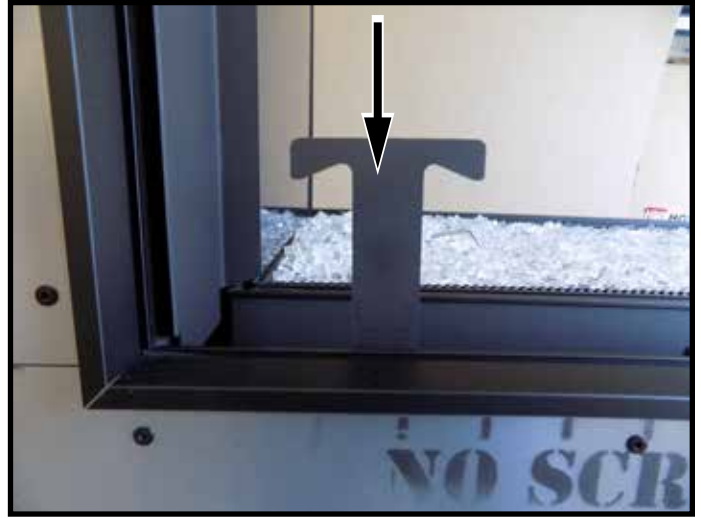


Figure 36: Gas valve shut off.

All units ship with a multi-capped half inch NPT pipe for gas connection (Figure 35).

All units also ship with a gas valve shut-off (Figure 36). This shut-off handle is located on the right side of the glass door opening between the inner and outer glass plates. Push this handle down before installing the inner and outer glass plates.



Inside Glass Plate Installation

Note: Be sure that the gas shut off valve is pushed down before installing the glass plates. See “Figure 36: Gas valve shut off.” on page 29.

There are two large sheets of glass for each side of the unit that must be installed, the inside sheets and the outside sheet. The inside sheet is narrower than the outside sheet.

Inside glass plates installation

1. Using the supplied glass suction handle, fit the upper edge of the inside front glass plate into its slot (Figure 37). Angle the lower edge into a vertical position and lower the sheet into the bottom slot. Do not remove the suction handles yet as this sheet is to be moved once more.
2. Once the inside front glass sheet is installed, shift it so that it is centered in its frame and so that there is a gap of about 1/8” between the glass sheet and each side frame (Figure 38).



Figure 37: Top edge of sheet goes in first.

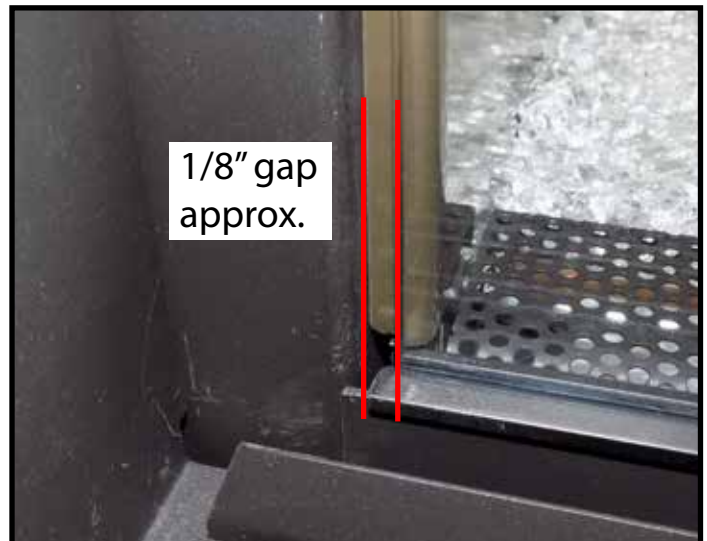


Figure 38: Even gap on both sides of inside sheet.

The Side Securing Panels (page 31) must now be installed before the Outside Glass plates are installed (page 32).

Side Securing Panel Installation



Figure 39: Inside securing panels.p

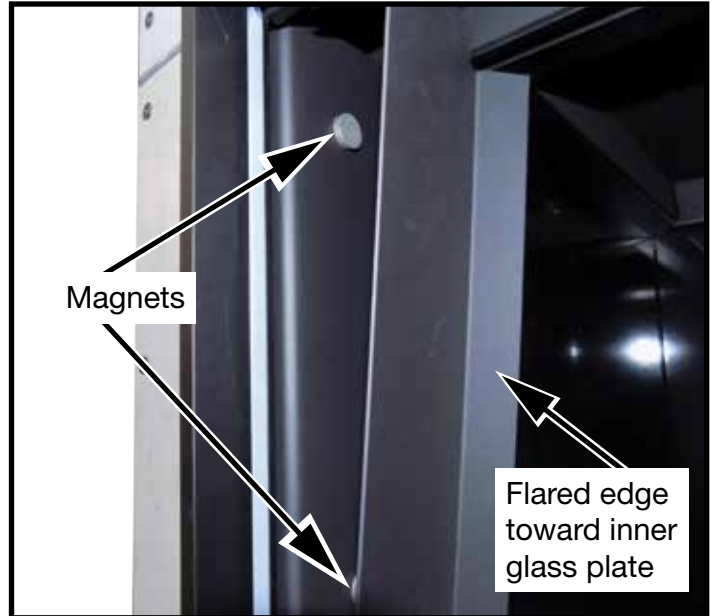


Figure 40: Left side securing panel installation.

Install the inside securing panels (Figure 39) into the space between the inner and outer front glass plates (Figure 40). These securing panels are identical and have a flared edge which are installed so that the flared edges make contact with the inner glass sheet (Figure 41). These securing panels are held in place with magnets (Figure 40 and Figure 42).



Figure 41: Position securing panel up against the inside glass plate.



Figure 42: Installing right side securing panel.

Outside Glass Plate Installation

1. Using the supplied glass suction handle, fit the upper edge of the outside front glass sheet into its slot (Figure 43). Angle the lower edge into a vertical position and lower the pane into the bottom slot. Do not remove the suction handles yet as this sheet is to be moved once more.
2. Once the outside front glass sheet is installed, shift it so that it is centered in its frame and so that there is a gap of about 1/8" between the glass sheet and each side of the frame (Figure 44 and Figure 45) .
3. Repeat the above instructions to install the rear glass sheets.



Figure 43: Inserting outside glass sheet.

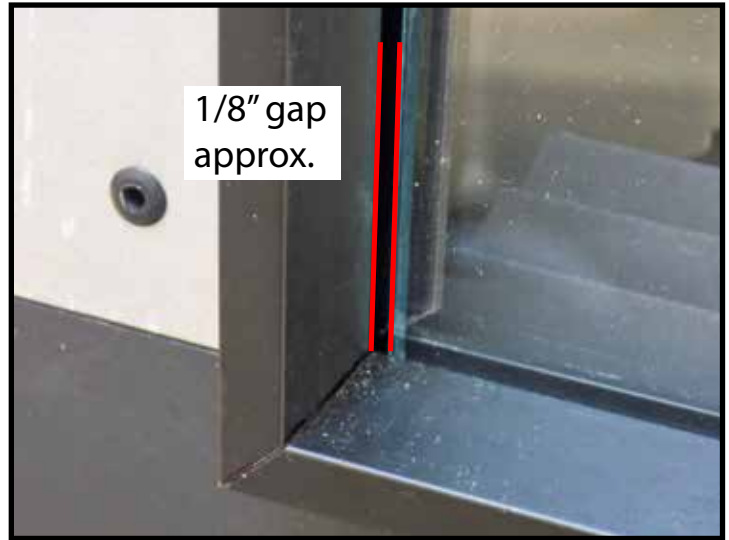


Figure 44: Gap between edge of glass sheet and side frame.



Figure 45: Gap on right side.

Electrical Connection

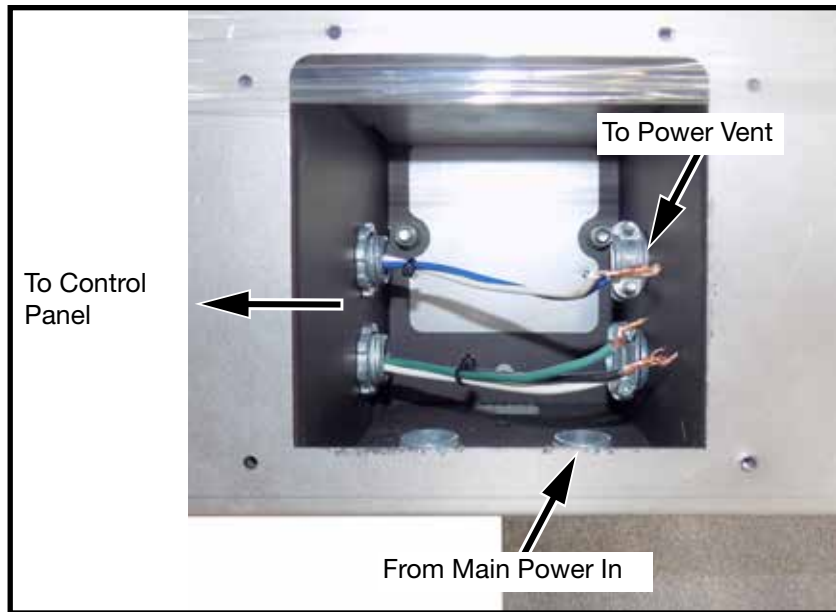


Figure 46: Electrical connection panel.

Power to this unit is 120VAC. The electrical connection compartment is located behind the removable panel on the front of the unit. Once wiring is completed (Figure 46), power will be supplied to both the power vent and the main unit control module (Figure 46 and Figure 47) .

The 3 optional motorized dampers wiring connects to 3 pair of wires located at the front of the unit (Figure 48). Each motorized damper has 2 wires for a total of 6 wires.

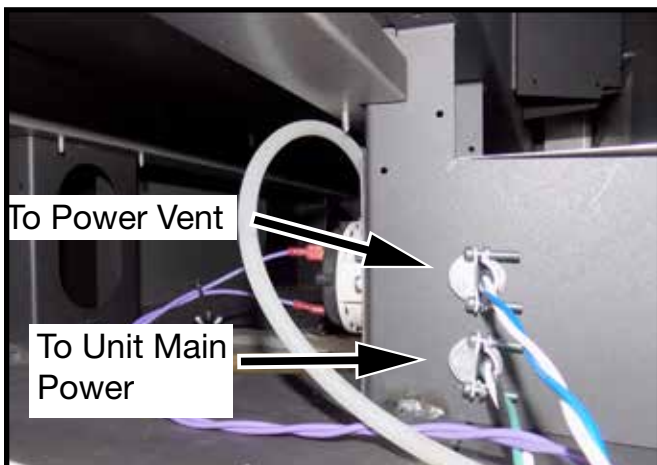


Figure 47: Inside left side of electrical connection box.



Figure 48: Motorized damper electrical connections.



Electrical Diagram

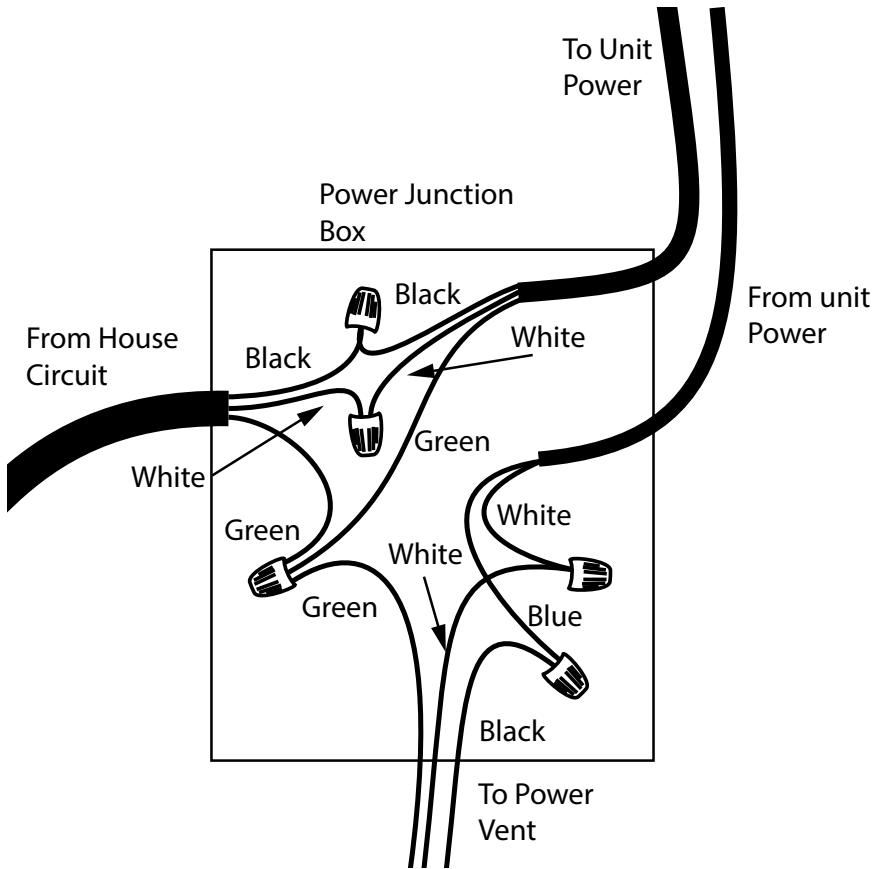


Figure 49: Wiring at fireplace - power.

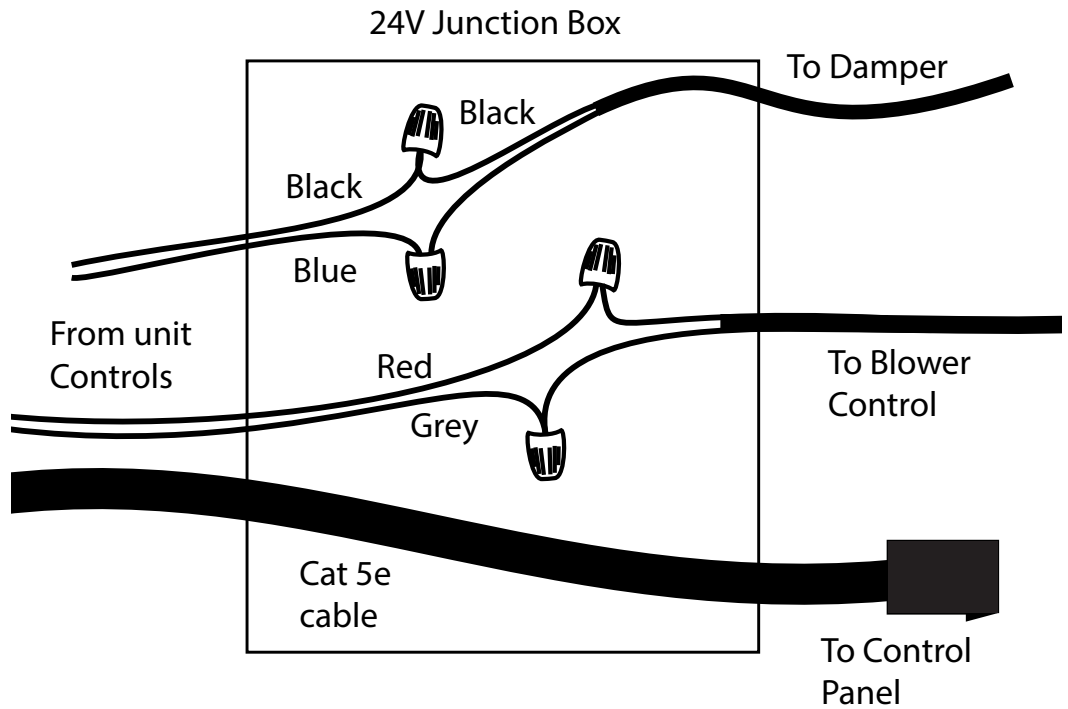


Figure 50: Wiring at fireplace - Dampers and controls.

Control Panel Installation

Please refer to the instructions included with your controls for installation.

NOTE: The CAT5e cable has a maximum length of 50 feet and so the touch pad must be installed within this distance.

NOTE: Make sure that the ON/OFF switch is in the ON position before mounting the touch pad in its frame.

NOTE: Make sure that the AC power to this appliance is turned off before installing or servicing the touch pad.



LED Strip Replacement

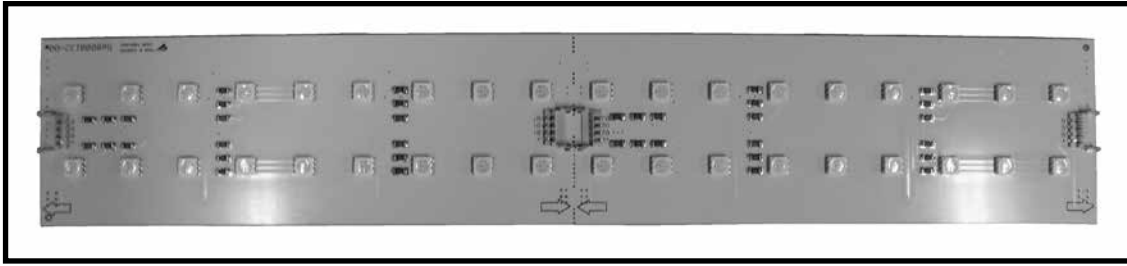


Figure 51: Individual LED section.

There are two rows of LED lights in this fire feature, one row on each side of the burner. Each row of LED lights is made of individual LED sections which can be joined together using bridge connectors to achieve the desired row length (Figure 52). Each row of sections also has its own main electrical connector (Figure 53).

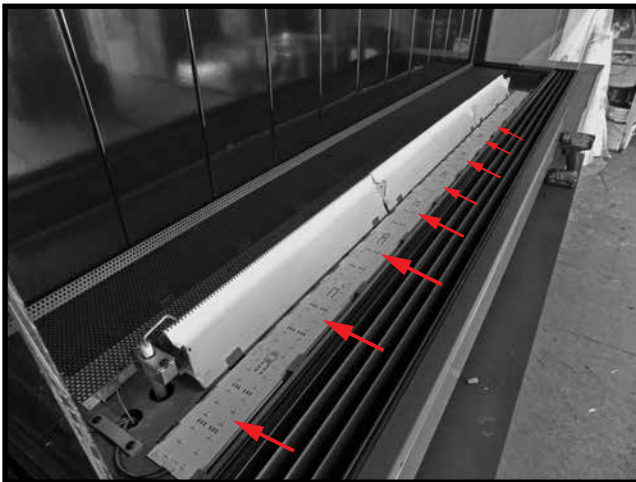


Figure 52: LED individual sections joined together.

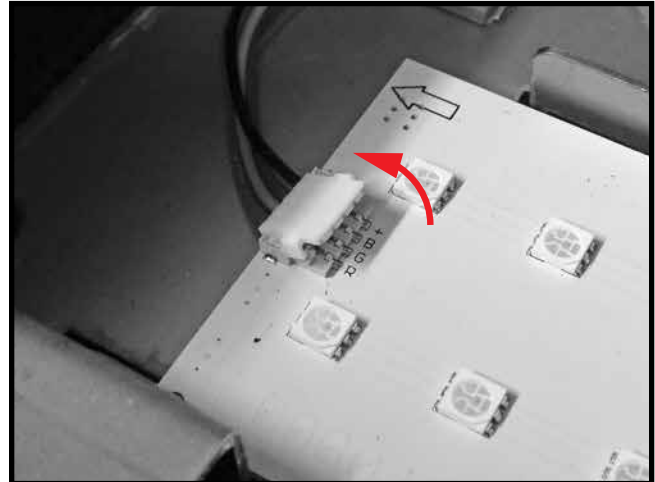


Figure 53: LED connector.

Removing an LED section

1. To remove an individual LED section or sections, begin by disconnecting the main power to the fire feature at the main circuit breaker. Give time for the unit to cool down.
2. Remove the glass panels.
3. Remove the glass media and the relavent glass tray.
4. Disconnect the main electrical connection located on the left hand side of the fire feature by lifting the connector up as shown in Figure 54.

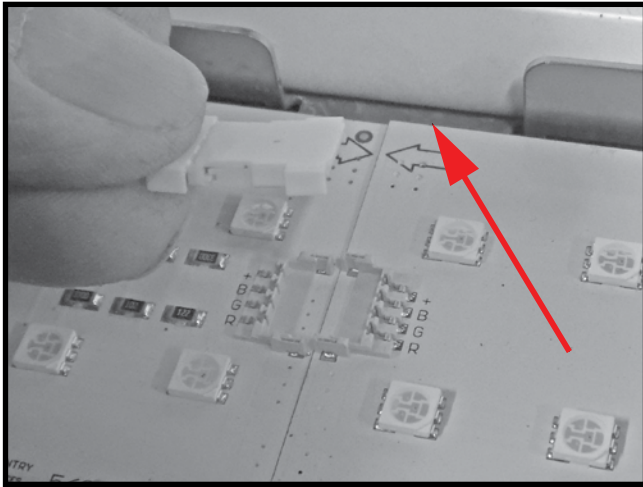


Figure 54: LED strip bridge connector.

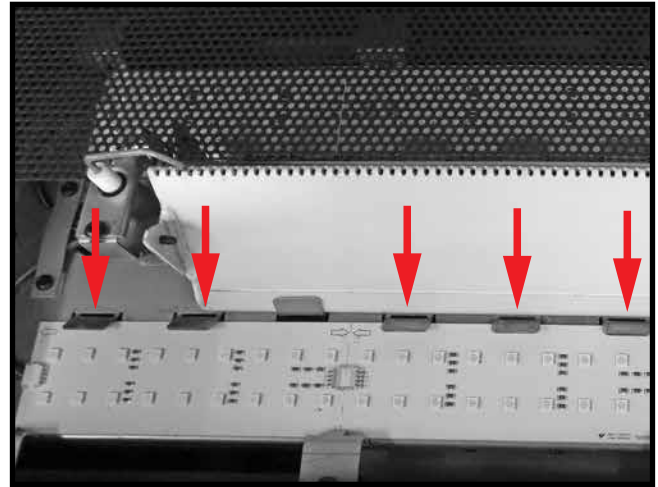


Figure 55: LED strip hold down tabs.

5. Remove the bridge connector of the LED section(s) to be replaced (Figure 54). These connector tabs lift up much like the main electrical connector. In this way, individual LED sections can be replaced without removing the entire row of LED sections from the fire feature.
6. The LED sections and rows are held in place by hold down tabs (Figure 55). These tabs can be lifted up so that the LED section can be removed.
7. When removing an individual LED section, lift up the side of the LED section next to the tabs that were just moved upwards and then remove the LED section (Figure 56).



Figure 56: LED strip removal.



Figure 57: Arrows always meet.

NOTE: When replacing an LED section, make sure that the arrows on the sections meet as shown in Figure 57. Whether joining full sized sections to other full sized sections, or when joining a full sized section to a short section, the arrows must meet each other. As you stand in front of the fire feature, the arrows will be located on the sides of the sections furthest away from you.

8. Reconnect the individual LED sections using a bridge connector as shown in Figure 54.
9. Reconnect the main electrical connector as shown in Figure 53.
10. Return the glass tray(s), glass media and glass panels to their original positions.

Natural Gas

Gas pressure requirements	
<u>Input Pressure</u>	<u>Natural Gas</u>
Minimum	5.0" IN/WC (1.24 kPa)
Maximum	7.0" IN/WC (1.74 kPa)
<u>Manifold Pressure</u>	
Maximum	3.5" IN/WC (0.87 kPa)

Linear Appliance	
<u>Gas</u>	<u>Output</u>
NG	80,000 BTU/hr (23.44 kW)

Liquid Propane Gas

Gas pressure requirements	
<u>Input Pressure</u>	<u>Liquid Propane Gas</u>
Minimum	12.5" IN/WC (3.11 kPa)
Maximum	13.9" IN/WC (3.45 kPa)
<u>Manifold Pressure</u>	
Maximum	11.0" IN/WC (2.73 kPa)

Linear Appliance	
<u>Gas</u>	<u>Output</u>
LP	80,000 BTU/hr (23.44 kW)

Lighting Instructions

FOR YOUR SAFETY READ BEFORE LIGHTING

Warning: If you do not follow these instructions exactly, a fire or explosion may result causing property damage, personal injury or loss of life.

A. **BEFORE LIGHTING:** smell all around the appliance area for gas. Be sure to smell next to the floor because some gas is heavier than air and will settle on the floor.

WHAT TO DO IF YOU SMELL GAS:

- Do not try to light any appliance.
- Do not touch any electrical switch; do not use any phone in your building.
- Immediately call your gas supplier from a neighbour's phone. Follow the supplier's instructions.
- If you cannot reach your gas supplier, call the fire department.

B. Do not use this appliance if any part has been under water. Immediately call a qualified service technician to inspect the appliance & to replace any part of the control system & any gas control which has been under water.

LIGHTING INSTRUCTIONS

1. STOP! Read the safety information above this label.
2. Move switch to "ON" position (unit will purge for 10 seconds)
3. The appliance will try igniting 3 times. If the appliance fails to ignite, the control will lock out.
4. Call your service technician or retailer to rectify the issue.

TO TURN OFF GAS APPLIANCE

1. Move switch to the "OFF" position (unit will post-purge for 15 seconds).
2. Turn off all electrical power to the appliance if service is to be performed or for extended shutdown.

CAUTION: Hot while in operation. Do not touch. Severe burns may result. Keep children, clothing, furniture, gasoline and other liquids having flammable vapours away. Keep burner and control compartments clean. See installation and operating instructions accompanying the appliance.

ATTENTION: L'appareil est chaud lorsqu'il fonctionne. Ne pas toucher l'appareil. Risque de brûlures graves. Surveiller les enfants. Garder les vêtements, le meubles, l'essence ou autres liquides produisant des vapeurs inflammables loin de l'appareil. S'assurer que le brûleur et le compartiment des commandes sont propres. Voir les instructions d'installation et d'utilisation qui accompagnent l'appareil.



Maintenance

CAUTION:

Turn off gas and electrical power supply (if applicable) and allow ample time for unit to cool before servicing appliance. It is recommended that the fire feature and its venting be inspected at least once a year by a qualified service person.

GLASS PANEL:

Warning: Do not operate fire feature with glass panel removed, cracked or broken. Replacement of the glass panel should be done by a licensed or qualified service person.

Do not strike or otherwise impact the glass in anyway that may cause it to break. If the glass becomes cracked or broken it must be replaced before using the fire feature. Replacement glass can be obtained from your nearest Town & Country Fireplaces TM dealer. Refer to “Inside Glass Plate Installation” on page 30 and “Outside Glass Plate Installation” on page 32 for instructions.

ANNUAL INSPECTION:

- a) Remove glass panel and inspect the Burner and Igniter for soot build up. If excessive build up of soot is present, have a qualified service person inspect and adjust the unit for proper combustion.
- b) Check that the venting pipe and venting terminal are open and free from blockage or debris. If the venting is disassembled for cleaning, it must be properly assembled and re-sealed. Refer to VENTING section for proper procedure.

Note: The appliance area must be kept clear and free from combustible materials, gasoline and other flammable vapours and liquids.

Periodically:

- a) Viewing glass may be cleaned as necessary with fireplace glass cleaner.

CAUTION:

Do not use abrasive cleaners on glass or any other part of the fire feature.

Do not clean glass when hot.

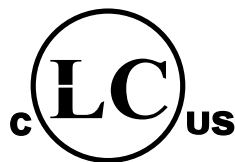
Replaceable Parts

ITEM No.	ITEM DESCRIPTION
80001338	Switch Vacuum, .6" WC, Pellet / Architectural
80002698	Touch Screen Display, Control Ver. 1.5 B, Architectural
80002335	Burner Media, Non Reflective Glass, Ice, 4LB, Architectural
80002367	Valve assembly with transducer / fittings, Architectural
80002368	Pressure transducer, Architectural
80002369	Ignition Module, Helifire / Architectural
80002370	Transformer 24 volt, Architectural
80002371	Transformer 12 volt, Architectural
80002372	LED board short, Architectural
80002373	LED board long, Architectural
80002374	Suction cup, Architectural
80002379	Toggle switch, Architectural



Rating labels

The rating label for this appliance is located on the same end of the unit which has the gas connection.



**VENTED GAS FIREPLACE - NOT FOR USE WITH SOLID FUEL
FOYER AU GAZ À ÉVACUATION - NE PAS UTILISER AVEC DU
COMBUSTIBLE SOLIDE**

728

ANSI Z21.50 / CSA 2.22 (2016) Vented Decorative Gas Appliance.

TOWN & COUNTRY FIREPLACES™ Certified for / Certifié pour Canada and U.S.A.

**MODEL /
MODELE:** ■
**8FT ARCHITECTURAL
SERIES**

**SERIES /
SERIE:** **A**

**MADE IN CANADA
FABRIQUE AU CANADA**

This Appliance is Equipped For Use With /
Cet Appareil est Équipé Pour Utiliser Avec :

NATURAL GAS / DU GAZ NATUREL	■	L.P. GAS / DU GAZ L.P.
---------------------------------	---	---------------------------

FOR USE WITH/ EN CASE D'EMPLOI AVEC:	NATURAL GAS/ DU GAZ NATUREL	L.P GAS/ DU GAZ L.P.
Minimum supply pressure / Pression minimum d'alimentation: (For the purpose of input adjustment / dans le but de régler l'alimentation)	5.0 in/wc / 5.0 po/c.e. (1.24 kPa)	12.5 in/wc / 12.5 po/c.e. (3.11 kPa)
Maximum supply pressure / Pression maximum d'alimentation:	7.0 in/wc / 7.0 po/c.e. (1.74 kPa)	13.9 in/wc / 13.9 po/c.e. (3.45 kPa)
Manifold pressure / Pression de la tuyauterie: Maximum	3.50 in/wc / 3.50 po/c.e. (0.87 kPa)	11.0 in/wc / 13.9 po/c.e. (2.73 kPa)
Orifice Size / Diametre de l'injecteur:	NB X4	LB X4
Input BTU/hr (kW) / Entree BTU/h (kW):	Max.: 128,000 (37.51)	Max.: 128,000 (37.51)

Blower electrical rating: 115v, 60hz, 5,9 A / Normes electriques du ventilateur: 115v, 60hz, 5,9 A

This appliance equipped for altitudes 0 - 4500 ft. (0 - 1371.6 m) / Cet unité est conçu pour des altitudes variant entre 0 - 4500 pieds (0 - 1371.6 m). In Canada, also certified for installation in a bedroom or a bedsitting room / Aussi certifié pour installation dans une chambre à coucher ou une salle de séjour. This appliance must be installed in accordance with local codes, if any; if none, follow the current CAN/CGA-B149 (Canada), or ANSI Z223.1 (USA) Installation Codes. Installer l'appareil selon les codes ou règlements locaux, ou, en l'absence de tels règlements, selon les codes d'installation CAN/CGA-B149 (Canada), or ANSI Z223.1 (USA) en vigueur.

MANUFACTURED (MOBILE) HOME: This appliance is only for use with the type of gas indicated on the rating plate and may be installed in an aftermarket, permanently located, manufactured (mobile) home where not prohibited by local codes. See owners manual for details.
FABRIQUEZ (MOBILE) MAISON: Cet appareil doit être utilisé uniquement avec le type de gaz indiqué sur la plaque signalétique et peut être installé dans une maison préfabriquée (mobile) installée à demeure si les règlements locaux le permettent. Voir la notice du propriétaire pour plus de détails. Cet appareil ne peut être converti à d'autres gaz sauf si une trousse de conversion certifiée est utilisée.
Install in accordance with the current standard Mobile Homes, CAN/CSA Z240 MH (in CANADA), and the Manufacturer's Home Construction and Safety Standard, Title 24 CFR, Part 3280, or the current Standard for Fire Safety Criteria for Manufactured Home Installations, Sites, and Communities ANSI/NFPA 501A, (in the U.S.A.). Cet appareil doit être installé conformément aux exigences de la norme CAN/CSA Z240 MH en vigueur de l'ACNOR, Installations de gaz dans les Constructions Mobiles.

**FOR USE WITH THE GLASS CERTIFIED WITH THE APPLIANCE ONLY / POUR UTILISATION UNIQUEMENT AVEC LES PORTES EN VERRE
CERTIFIÉES AVEC L'APPAREIL**

MINIMUM CLEARANCES TO COMBUSTIBLES / CLAIRANCES MINIMALES AVEC LES COMBUSTIBLE
Left and Right side are determined when facing the front of the appliance. / Les côtés droit et gauche se déterminent en se mettant devant l'appareil et en lui faisant face.

Top, Back and Side Standoffs / Sommet, Arrière et Côté Butée	0 in./ 0 po.	(0 mm)
Sidewall to Appliance / Du mur latéral a l'appareil	0 in./ 0 po.	(0 mm)
Ceiling to Appliance / Plafond a l'appareil	0 in./ 0 po.	(0 mm)
Mantel to Appliance / Du manteau a l'appareil	0 in./ 0 po.	(0 mm)
Maximum Mantel Extension / Allongement maximum du manteau	0 in./ 0 po.	(0 mm)
*See Installation Manual for more detail / Voyez des Directive de l'Installation pour plus détails.		
Mantel Supports / Supports du manteau	0 in./ 0 po.	(0 mm)
Vent Pipe / Déchargez le Tuyau	0 in./ 0 po.	(0 mm)

WARNING: Improper installation, adjustment, alteration, service or maintenance can cause injury or property damage. Refer to the owner's information manual provided with this appliance. For assistance or additional information, consult a qualified installer, service agency or the gas supplier.

AVERTISSEMENT: Une installation, un réglage, une modification, une réparation ou un entretien mal effectué peut causer des dommages matériels ou des blessures. Voir la notice de l'utilisateur qui accompagne l'appareil. Pour de l'aide ou des renseignements supplémentaires, consultez un installateur, un technicien agréé ou le fournisseur de gaz.

290517

56800070

Pacific Energy
Fireplace Products Ltd.
Duncan, British Columbia,
Canada

DATE OF MANUFACTURE				
JAN	FEB	MAR	APR	2017
MAY	JUN	JUL	AUG	2018
SEP	OCT	NOV	DEC	2019

8FT Architectural Series



**VENTED GAS FIREPLACE - NOT FOR USE WITH SOLID FUEL
FOYER AU GAZ À ÉVACUATION - NE PAS UTILISER AVEC DU
COMBUSTIBLE SOLIDE**

723

**THIS IS A DECORATIVE PRODUCT AND IS NOT INTENDED
TO BE USED AS A HEATING APPLIANCE.**

P.4.1-15 Efficiency: 9.9%

TOWN & COUNTRY
FIREPLACES™

MODEL /
MODELE: ■

3FT ARCHITECTURAL
SERIES

SERIES /
SERIE: **A**

MADE IN CANADA
FABRIQUE AU CANADA

ANSI Z21.50 / CSA 2.22 (2016) Vented Decorative Gas Appliance.
Certified for / Certifié pour Canada and U.S.A.

This Appliance is Equipped For Use With / Cet Appareil est Équipé Pour Utiliser Avec :		
NATURAL GAS / DU GAZ NATUREL	■	L.P. GAS / DU GAZ L.P.
FOR USE WITH/ EN CASE D'EMPLOI AVEC:	NATURAL GAS/ DU GAZ NATUREL	L.P GAS/ DU GAZ L.P.
Minimum supply pressure / Pression minimum d'alimentation: (For the purpose of input adjustment / dans le but de régler l'alimentation)	5.0 in/wc / 5.0 po/c.e. (1.24 kPa)	12.5 in/wc / 12.5 po/c.e. (3.11 kPa)
Maximum supply pressure / Pression maximum d'alimentation:	7.0 in/wc / 7.0 po/c.e. (1.74 kPa)	13.9 in/wc / 13.9 po/c.e. (3.45 kPa)
Manifold pressure / Pression de la tuyauterie: Maximum	3.50 in/wc / 3.50 po/c.e. (0.87 kPa)	11.0 in/wc / 13.9 po/c.e. (2.73 kPa)
Orifice Size / Diametre de l'injecteur:	NA X2	LA X2
Input BTU/hr (kW) / Entree BTU/h (kW):	Max.: 48,000 (14.06)	Max.: 48,000 (14.06)

Blower electrical rating: 115v, 60hz, 5.9 A / Normes electriques du ventilateur: 115v, 60hz, 5.9 A

This appliance equipped for altitudes 0 - 4500 ft. (0 - 1371.6 m) / Cet unité est conçu pour des altitudes variant entre 0 - 4500 pieds (0 - 1371.6 m). In Canada, also certified for installation in a bedroom or a bedsitting room / Aussi certifié pour installation dans une chambre à coucher ou une salle de séjour. This appliance must be installed in accordance with local codes, if any; if none, follow the current CAN/CGA-B149 (Canada), or ANSI Z223.1 (USA) Installation Codes. Installer l'appareil selon les codes ou règlements locaux, ou, en l'absence de tels règlements, selon les codes d'installation CAN/CGA-B149 (Canada), or ANSI Z223.1 (USA) en vigueur.

MANUFACTURED (MOBILE) HOME: This appliance is only for use with the type of gas indicated on the rating plate and may be installed in an aftermarket, permanently located, manufactured (mobile) home where not prohibited by local codes. See owners manual for details.
FABRIQUEZ (MOBILE) MAISON: Cet appareil doit être utilisé uniquement avec le type de gaz indiqué sur la plaque signalétique et peut être installé dans une maison préfabriquée (mobile) installée à demeure si les règlements locaux le permettent. Voir la notice du propriétaire pour plus de détails. Cet appareil ne peut être converti à d'autres gaz sauf si une trousse de conversion certifiée est utilisée.
Install in accordance with the current standard Mobile Homes, CAN/CSA Z240 MH (in CANADA), and the Manufacturer's Home Construction and Safety Standard, Title 24 CFR, Part 3280, or the current Standard for Fire Safety Criteria for Manufactured Home Installations, Sites, and Communities ANSI/NFPA 501A, (in the U.S.A.). Cet appareil doit être installé conformément aux exigences de la norme CAN/CSA Z240 MH en vigueur de l'ACNOR, Installations de gaz dans les Constructions Mobiles.
**FOR USE WITH THE GLASS CERTIFIED WITH THE APPLIANCE ONLY / POUR UTILISATION UNIQUEMENT AVEC LES PORTES IN VERRE
CERTIFIÉES AVEC L'APPAREIL**

Pacific Energy
Fireplace Products Ltd.
Duncan, British Columbia,
Canada

MINIMUM CLEARANCES TO COMBUSTIBLES / CLAIRANCES MINIMALES AVEC LES COMBUSTIBLE		
Left and Right side are determined when facing the front of the appliance. / Les côtés droit et gauche se déterminent en se mettant devant l'appareil et en lui faisant face.		
Top, Back and Side Standoffs / Sommet, Arrière et Côté Butée	0 in./ 0 po.	(0 mm)
Sidewall to Appliance / Du mur latéral a l'appareil	0 in./ 0 po.	(0 mm)
Ceiling to Appliance / Plafond a l'appareil	0 in./ 0 po.	(0 mm)
Mantel to Appliance / Du manteau a l'appareil	0 in./ 0 po.	(0 mm)
Maximum Mantel Extension / Allongement maximum du manteau	0 in./ 0 po.	(0 mm)
*See Installation Manual for more detail / Voyez des Directive de l'Installation pour plus détails.		
Mantel Supports / Supports du manteau	0 in./ 0 po.	(0 mm)
Vent Pipe / Décharge le Tuyau	0 in./ 0 po.	(0 mm)

DATE OF MANUFACTURE				
JAN	FEB	MAR	APR	2018
MAY	JUN	JUL	AUG	2019
SEP	OCT	NOV	DEC	2020

WARNING: Improper installation, adjustment, alteration, service or maintenance can cause injury or property damage. Refer to the owner's information manual provided with this appliance. For assistance or additional information, consult a qualified installer, service agency or the gas supplier.
AVERTISSEMENT: Une installation, un réglage, une modification, une réparation ou un entretien mal effectué peut causer des dommages matériels ou des blessures. Voir la notice de l'utilisateur qui accompagne l'appareil. Pour de l'aide ou des renseignements supplémentaires, consultez un installateur, un technicien agréé ou le fournisseur de gaz.

101218

568000065

3FT Architectural Series





**VENTED GAS FIREPLACE - NOT FOR USE WITH SOLID FUEL
FOYER AU GAZ À ÉVACUATION - NE PAS UTILISER AVEC DU
COMBUSTIBLE SOLIDE**

724

**THIS IS A DECORATIVE PRODUCT AND IS NOT INTENDED
TO BE USED AS A HEATING APPLIANCE.**

P.4.1-15 Efficiency: 11.4%

TOWN & COUNTRY
FIREPLACES™

ANSI Z21.50 / CSA 2.22 (2016) Vented Decorative Gas Appliance.
Certified for / Certifié pour Canada and U.S.A.

This Appliance is Equipped For Use With /
Cet Appareil est Équipé Pour Utiliser Avec :

NATURAL GAS / L.P. GAS /
DU GAZ NATUREL ■ L.P. GAS /
DU GAZ L.P.

MODEL/
MODELE: ■

4FT ARCHITECTURAL
SERIES

SERIES/
SERIE: **A**

MADE IN CANADA
FABRIQUE AU CANADA

FOR USE WITH/ EN CASE D'EMPLOI AVEC:	NATURAL GAS/ DU GAZ NATUREL	L.P GAS/ DU GAZ L.P.
Minimum supply pressure / Pression minimum d'alimentation: <small>(For the purpose of input adjustment / dans le but de régler l'alimentation)</small> Maximum supply pressure / Pression maximum d'alimentation:	5.0 in/wc / 5.0 po/c.e. (1.24 kPa) 7.0 in/wc / 7.0 po/c.e. (1.74 kPa)	12.5 in/wc / 12.5 po/c.e. (3.11 kPa) 13.9 in/wc / 13.9 po/c.e. (3.45 kPa)
Manifold pressure / Pression de la tuyauterie: Maximum	3.50 in/wc / 3.50 po/c.e. (0.87 kPa)	11.0 in/wc / 13.9 po/c.e. (2.73 kPa)
Orifice Size / Diametre de l'injecteur:	NB X2	LB X2
Input BTU/hr (kW) / Entree BTU/h (kW):	Max.: 64,000 (18.75)	Max.: 64,000 (18.75)

Blower electrical rating: 115v, 60hz, 5.9 A / Normes electriques du ventilateur: 115v, 60hz, 5.9 A
This appliance equipped for altitudes 0 - 4500 ft. (0 - 1371.6 m) / Cet unité est conçu pour des altitudes variant entre 0 - 4500 pieds (0 - 1371.6 m). In Canada, also certified for installation in a bedroom or a bed sitting room / Aussi certifié pour installation dans une chambre à coucher ou une salle de séjour. This appliance must be installed in accordance with local codes, if any; if none, follow the current CAN/CGA-B149 (Canada), or ANSI Z223.1 (USA) Installation Codes. Installer l'appareil selon les codes ou règlements locaux, ou, en l'absence de tels règlements, selon les codes d'installation CAN/CGA-B149 (Canada), or ANSI Z223.1 (USA) en vigueur.

MANUFACTURED (MOBILE) HOME: This appliance is only for use with the type of gas indicated on the rating plate and may be installed in an aftermarket, permanently located, manufactured (mobile) home where not prohibited by local codes. See owners manual for details.
FABRIQUEZ (MOBILE) MAISON: Cet appareil doit être utilisé uniquement avec le type de gaz indiqué sur la plaque signalétique et peut être installé dans une maison préfabriquée (mobile) installée à demeure si les règlements locaux le permettent. Voir la notice du propriétaire pour plus de détails. Cet appareil ne peut être converti à d'autres gaz sauf si une trousse de conversion certifiée est utilisée.
Install in accordance with the current standard Mobile Homes, CAN/CSA Z240 MH (in CANADA), and the Manufacturer's Home Construction and Safety Standard, Title 24 CFR, Part 3280, or the current Standard for Fire Safety Criteria for Manufactured Home Installations, Sites, and Communities ANSI/NFPA 501A, (in the U.S.A.). Cet appareil doit être installé conformément aux exigences de la norme CAN/CSA Z240 MH en vigueur de l'ACNOR, Installations de gaz dans les Constructions Mobiles.

FOR USE WITH THE GLASS CERTIFIED WITH THE APPLIANCE ONLY / POUR UTILISATION UNIQUEMENT AVEC LES PORTES IN VERRE
CERTIFIÉES AVEC L'APPAREIL

MINIMUM CLEARANCES TO COMBUSTIBLES / CLAIRANCES MINIMALES AVEC LES COMBUSTIBLE
Left and Right side are determined when facing the front of the appliance. / Les côtés droit et gauche se déterminent en se mettant devant l'appareil et en lui faisant face.

Top, Back and Side Standoffs / Sommet, Arrière et Côté Butée	0 in./ 0 po.	(0 mm)
Sidewall to Appliance / Du mur latéral à l'appareil	0 in./ 0 po.	(0 mm)
Ceiling to Appliance / Plafond à l'appareil	0 in./ 0 po.	(0 mm)
Mantel to Appliance / Du manteau à l'appareil	0 in./ 0 po.	(0 mm)
Maximum Mantel Extension / Allongement maximum du manteau <small>*See Installation Manual for more detail / Voyez des Directive de l'Installation pour plus détails.</small>	0 in./ 0 po.	(0 mm)
Mantel Supports / Supports du manteau	0 in./ 0 po.	(0 mm)
Vent Pipe / Déchargez le Tuyau	0 in./ 0 po.	(0 mm)

WARNING: Improper installation, adjustment, alteration, service or maintenance can cause injury or property damage. Refer to the owner's information manual provided with this appliance. For assistance or additional information, consult a qualified installer, service agency or the gas supplier.
AVERTISSEMENT: Une installation, un réglage, une modification, une réparation ou un entretien mal effectué peut causer des dommages matériels ou des blessures. Voir la notice de l'utilisateur qui accompagne l'appareil. Pour de l'aide ou des renseignements supplémentaires, consultez un installateur, un technicien agréé ou le fournisseur de gaz.

101218

568000066

Pacific Energy
Fireplace Products Ltd.
Duncan, British Columbia,
Canada

DATE OF MANUFACTURE				
JAN	FEB	MAR	APR	2018
MAY	JUN	JUL	AUG	2019
SEP	OCT	NOV	DEC	2020

4FT Architectural Series



TOWN & COUNTRY
FIREPLACES™

MODEL /
MODELE: ■
5FT ARCHITECTURAL
SERIES

SERIES /
SERIE: A

MADE IN CANADA
FABRIQUE AU CANADA

**VENTED GAS FIREPLACE - NOT FOR USE WITH SOLID FUEL
FOYER AU GAZ À ÉVACUATION - NE PAS UTILISER AVEC DU
COMBUSTIBLE SOLIDE**

725

**THIS IS A DECORATIVE PRODUCT AND IS NOT INTENDED
TO BE USED AS A HEATING APPLIANCE.**

P.4.1-15 Efficiency: 12.8%

ANSI Z21.50 / CSA 2.22 (2016) Vented Decorative Gas Appliance.

Certified for / Certifié pour Canada and U.S.A.

This Appliance is Equipped For Use With /
Cet Appareil est Équipé Pour Utiliser Avec :

NATURAL GAS /
DU GAZ NATUREL ■ L.P. GAS /
DU GAZ L.P.

FOR USE WITH/ EN CASE D'EMPLOI AVEC:	NATURAL GAS/ DU GAZ NATUREL	L.P. GAS/ DU GAZ L.P.
Minimum supply pressure / Pression minimum d'alimentation: (For the purpose of input adjustment / dans le but de régler l'alimentation)	5.0 in/wc / 5.0 po/c.e. (1.24 kPa)	12.5 in/wc / 12.5 po/c.e. (3.11 kPa)
Maximum supply pressure / Pression maximum d'alimentation:	7.0 in/wc / 7.0 po/c.e. (1.74 kPa)	13.9 in/wc / 13.9 po/c.e. (3.45 kPa)
Manifold pressure / Pression de la tuyauterie: Maximum	3.50 in/wc / 3.50 po/c.e. (0.87 kPa)	11.0 in/wc / 13.9 po/c.e. (2.73 kPa)
Orifice Size / Diametre de l'injecteur:	NA X2 & NB X1	LA X2 & LB X1
Input BTU/hr (kW) / Entree BTU/h (kW):	Max.: 80,000 (23.44)	Max.: 80,000 (23.44)

Blower electrical rating: 115v, 60hz, 5.9 A / Normes electriques du ventilateur: 115v, 60hz, 5.9 A

This appliance equipped for altitudes 0 - 4500 ft. (0 - 1371.6 m) / Cet unité est conçu pour des altitudes variant entre 0 - 4500 pieds (0 - 1371.6 m). In Canada, also certified for installation in a bedroom or a bedsitting room / Aussi certifié pour installation dans une chambre à coucher ou une salle de séjour. This appliance must be installed in accordance with local codes, if any; if none, follow the current CAN/CGA-B149 (Canada), or ANSI Z223.1 (USA) Installation Codes. Installer l'appareil selon les codes ou règlements locaux, ou, en l'absence de tels règlements, selon les codes d'installation CAN/CGA-B149 (Canada), or ANSI Z223.1 (USA) en vigueur.

MANUFACTURED (MOBILE) HOME: This appliance is only for use with the type of gas indicated on the rating plate and may be installed in an aftermarket, permanently located, manufactured (mobile) home where not prohibited by local codes. See owners manual for details.

FABRIQUEZ (MOBILE) MAISON: Cet appareil doit être utilisé uniquement avec le type de gaz indiqué sur la plaque signalétique et peut être installé dans une maison préfabriquée (mobile) installée à demeure si les règlements locaux le permettent. Voir la notice du propriétaire pour plus de détails. Cet appareil ne peut être converti à d'autres gaz sauf si une trousse de conversion certifiée est utilisée.

Install in accordance with the current standard Mobile Homes, CAN/CSA Z240 MH (in CANADA), and the Manufacturer's Home Construction and Safety Standard, Title 24 CFR, Part 3280, or the current Standard for Fire Safety Criteria for Manufactured Home Installations, Sites, and Communities ANSI/NFPA 501A, (in the U.S.A.). Cet appareil doit être installé conformément aux exigences de la norme CAN/CSA Z240 MH en vigueur de l'ACNOR, Installations de gaz dans les Constructions Mobiles.

**FOR USE WITH THE GLASS CERTIFIED WITH THE APPLIANCE ONLY / POUR UTILISATION UNIQUEMENT AVEC LES PORTES IN VERRE
CERTIFIÉES AVEC L'APPAREIL**

MINIMUM CLEARANCES TO COMBUSTIBLES / CLAIRANCES MINIMALES AVEC LES COMBUSTIBLE
Left and Right side are determined when facing the front of the appliance. / Les côtés droit et gauche se déterminent en se mettant devant l'appareil et en lui faisant face.

Top, Back and Side Standoffs / Sommet, Arrière et Côté Butée	0 in./ 0 po.	(0 mm)
Sidewall to Appliance / Du mur latéral a l'appareil	0 in./ 0 po.	(0 mm)
Ceiling to Appliance / Plafond a l'appareil	0 in./ 0 po.	(0 mm)
Mantel to Appliance / Du manteau al'appareil	0 in./ 0 po.	(0 mm)
Maximum Mantel Extension / Allongement maximum du manteau	0 in./ 0 po.	(0 mm)
*See Installation Manual for more detail / Voyez des Directive de l'Installation pour plus détails.		
Mantel Supports / Supports du manteau	0 in./ 0 po.	(0 mm)
Vent Pipe / Déchargez le Tuyau	0 in./ 0 po.	(0 mm)

WARNING: Improper installation, adjustment, alteration, service or maintenance can cause injury or property damage. Refer to the owner's information manual provided with this appliance. For assistance or additional information, consult a qualified installer, service agency or the gas supplier.

AVERTISSEMENT: Une installation, un réglage, une modification, une réparation ou un entretien mal effectué peut causer des dommages matériels ou des blessures. Voir la notice de l'utilisateur qui accompagne l'appareil. Pour de l'aide ou des renseignements supplémentaires, consultez un installateur, un technicien agréé ou le fournisseur de gaz.

101218

56800067

Pacific Energy
Fireplace Products Ltd.
Duncan, British Columbia,
Canada

DATE OF MANUFACTURE

JAN	FEB	MAR	APR	2018
MAY	JUN	JUL	AUG	2019
SEP	OCT	NOV	DEC	2020

5FT Architectural Series





TOWN & COUNTRY
FIREPLACES™

MODEL/
MODELE: ■

6FT ARCHITECTURAL
SERIES

SERIES/
SERIE: A

MADE IN CANADA
FABRIQUE AU CANADA

**VENTED GAS FIREPLACE - NOT FOR USE WITH SOLID FUEL
FOYER AU GAZ À ÉVACUATION - NE PAS UTILISER AVEC DU
COMBUSTIBLE SOLIDE**

726

**THIS IS A DECORATIVE PRODUCT AND IS NOT INTENDED
TO BE USED AS A HEATING APPLIANCE.**

P.4.1-15 Efficiency: 14.3%

ANSI Z21.50 / CSA 2.22 (2016) Vented Decorative Gas Appliance.
Certified for / Certifié pour Canada and U.S.A.

This Appliance is Equipped For Use With /
Cet Appareil est Équipé Pour Utiliser Avec :

NATURAL GAS / L.P. GAS /
DU GAZ NATUREL ■ DU GAZ L.P.

FOR USE WITH/ EN CASE D'EMPLOI AVEC:	NATURAL GAS/ DU GAZ NATUREL	L.P. GAS/ DU GAZ L.P.
Minimum supply pressure / Pression minimum d'alimentation: (For the purpose of input adjustment / dans le but de régler l'alimentation)	5.0 in/wc / 5.0 po/c.e. (1.24 kPa)	12.5 in/wc / 12.5 po/c.e. (3.11 kPa)
Maximum supply pressure / Pression maximum d'alimentation:	7.0 in/wc / 7.0 po/c.e. (1.74 kPa)	13.9 in/wc / 13.9 po/c.e. (3.45 kPa)
Manifold pressure / Pression de la tuyauterie: Maximum	3.50 in/wc / 3.50 po/c.e. (0.87 kPa)	11.0 in/wc / 13.9 po/c.e. (2.73 kPa)
Orifice Size / Diametre de l'injecteur:	NB X3	LB X3
Input BTU/hr (kW) / Entree BTU/h (kW):	Max.: 96,000 (28.13)	Max.: 96,000 (28.13)

Blower electrical rating: 115v, 60hz, 5.9 A / Normes electriques du ventilateur: 115v, 60hz, 5.9 A

This appliance equipped for altitudes 0 - 4500 ft. (0 - 1371.6 m) / Cet unité est conçu pour des altitudes variant entre 0 - 4500 pieds (0 - 1371.6 m). In Canada, also certified for installation in a bedroom or a bedsitting room / Aussi certifié pour installation dans une chambre à coucher ou une salle de séjour. This appliance must be installed in accordance with local codes, if any; if none, follow the current CAN/CGA-B149 (Canada), or ANSI Z223.1 (USA) Installation Codes. Installer l'appareil selon les codes ou règlements locaux, ou, en l'absence de tels règlements, selon les codes d'installation CAN/CGA-B149 (Canada), or ANSI Z223.1 (USA) en vigueur.

MANUFACTURED (MOBILE) HOME: This appliance is only for use with the type of gas indicated on the rating plate and may be installed in an aftermarket, permanently located, manufactured (mobile) home where not prohibited by local codes. See owners manual for details.

FABRIQUEZ (MOBILE) MAISON: Cet appareil doit être utilisé uniquement avec le type de gaz indiqué sur la plaque signalétique et peut être installé dans une maison préfabriquée (mobile) installée à demeure si les règlements locaux le permettent. Voir la notice du propriétaire pour plus de détails. Cet appareil ne peut être converti à d'autres gaz sauf si une trousse de conversion certifiée est utilisée.

Install in accordance with the current standard Mobile Homes, CAN/CSA Z240 MH (in CANADA), and the Manufacturer's Home Construction and Safety Standard, Title 24 CFR, Part 3280, or the current Standard for Fire Safety Criteria for Manufactured Home Installations, Sites, and Communities ANSI/NFPA 501A, (in the U.S.A.). Cet appareil doit être installé conformément aux exigences de la norme CAN/CSA Z240 MH en vigueur de l'ACNOR, Installations de gaz dans les Constructions Mobiles.

FOR USE WITH THE GLASS CERTIFIED WITH THE APPLIANCE ONLY / POUR UTILISATION UNIQUEMENT AVEC LES PORTES IN VERRE
CERTIFIÉES AVEC L'APPAREIL

MINIMUM CLEARANCES TO COMBUSTIBLES / CLAIRANCES MINIMALES AVEC LES COMBUSTIBLE
Left and Right side are determined when facing the front of the appliance. / Les côtés droit et gauche se déterminent en se mettant devant l'appareil et en lui faisant face.

Top, Back and Side Standoffs / Sommet, Arrière et Côté Butée	0 in./ 0 po.	(0 mm)
Sidewall to Appliance / Du mur latéral a l'appareil	0 in./ 0 po.	(0 mm)
Ceiling to Appliance / Plafond a l'appareil	0 in./ 0 po.	(0 mm)
Mantel to Appliance / Du manteau a l'appareil	0 in./ 0 po.	(0 mm)
Maximum Mantel Extension / Allongement maximum du manteau	0 in./ 0 po.	(0 mm)
*See Installation Manual for more detail / Voyez des Directive de l'Installation pour plus détails.		
Mantel Supports / Supports du manteau	0 in./ 0 po.	(0 mm)
Vent Pipe / Déchargez le Tuyau	0 in./ 0 po.	(0 mm)

Pacific Energy
Fireplace Products Ltd.
Duncan, British Columbia,
Canada

DATE OF MANUFACTURE

JAN	FEB	MAR	APR	2018
MAY	JUN	JUL	AUG	2019
SEP	OCT	NOV	DEC	2020

WARNING: Improper installation, adjustment, alteration, service or maintenance can cause injury or property damage. Refer to the owner's information manual provided with this appliance. For assistance or additional information, consult a qualified installer, service agency or the gas supplier.

AVERTISSEMENT: Une installation, un réglage, une modification, une réparation ou un entretien mal effectué peut causer des dommages matériels ou des blessures. Voir la notice de l'utilisateur qui accompagne l'appareil. Pour de l'aide ou des renseignements supplémentaires, consultez un installateur, un technicien agréé ou le fournisseur de gaz.

101218

568000068

6FT Architectural Series



TOWN & COUNTRY
FIREPLACES™

MODEL/ MODELE: XXXX
7FT ARCHITECTURAL
SERIES

SERIES/ SERIE: **A**

MADE IN CANADA
FABRIQUE AU CANADA

**VENTED GAS FIREPLACE - NOT FOR USE WITH SOLID FUEL
FOYER AU GAZ À ÉVACUATION - NE PAS UTILISER AVEC DU
COMBUSTIBLE SOLIDE**

727

P.4.1-15 Efficiency: 15.7%

**THIS IS A DECORATIVE PRODUCT AND IS NOT INTENDED
TO BE USED AS A HEATING APPLIANCE.**

ANSI Z21.50 / CSA 2.22 (2016) Vented Decorative Gas Appliance.
Certified for / Certifié pour Canada and U.S.A.

This Appliance is Equipped For Use With / Cet Appareil est Équipé Pour Utiliser Avec :	
NATURAL GAS / DU GAZ NATUREL	L.P. GAS / DU GAZ L.P.
FOR USE WITH/ EN CASE D'EMPLOI AVEC:	NATURAL GAS/ DU GAZ NATUREL
Minimum supply pressure / Pression minimum d'alimentation: <i>(For the purpose of input adjustment / dans le but de régler l'alimentation)</i>	5.0 in/wc / 5.0 po/c.e. (1.24 kPa)
Maximum supply pressure / Pression maximum d'alimentation:	7.0 in/wc / 7.0 po/c.e. (1.74 kPa)
Manifold pressure / Pression de la tuyauterie: Maximum	3.50 in/wc / 3.50 po/c.e. (0.87 kPa)
Orifice Size / Diametre de l'injecteur:	NA X2 & NB X2
Input BTU/hr (kW) / Entree BTU/h (kW):	Max.: 112,000 (32.82)

Blower electrical rating: 115v, 60hz, 5.9 A / Normes electriques du ventilateur: 115v, 60hz, 5.9 A
This appliance equipped for altitudes 0 - 4500 ft. (0 - 1371.6 m) / Cet unité est conçu pour des altitudes variant entre 0 - 4500 pieds (0 - 1371.6 m). In Canada, also certified for installation in a bedroom or a bedsitting room / Aussi certifié pour installation dans une chambre à coucher ou une salle de séjour. This appliance must be installed in accordance with local codes, if any; if none, follow the current CAN/CGA-B149 (Canada), or ANSI Z223.1 (USA) Installation Codes. Install the appliance selon les codes ou règlements locaux, ou, en l'absence de tels règlements, selon les codes d'installation CAN/CGA-B149 (Canada), or ANSI Z223.1 (USA) en vigueur.

MANUFACTURED (MOBILE) HOME: This appliance is only for use with the type of gas indicated on the rating plate and may be installed in an aftermarket, permanently located, manufactured (mobile) home where not prohibited by local codes. See owners manual for details.
FABRIQUEZ (MOBILE) MAISON: Cet appareil doit être utilisé uniquement avec le type de gaz indiqué sur la plaque signalétique et peut être installé dans une maison préfabriquée (mobile) installée à demeure si les règlements locaux le permettent. Voir la notice du propriétaire pour plus de détails. Cet appareil ne peut être converti à d'autres gaz sauf si une trousse de conversion certifiée est utilisée.
Install in accordance with the current standard Mobile Homes, CAN/CSA Z240 MH (in CANADA), and the Manufacturer's Home Construction and Safety Standard, Title 24 CFR, Part 3280, or the current Standard for Fire Safety Criteria for Manufactured Home Installations, Sites, and Communities ANSI/NFPA 501A, (in the U.S.A.). Cet appareil doit être installé conformément aux exigences de la norme CAN/CSA Z240 MH en vigueur de l'ACNOR, Installations de gaz dans les Constructions Mobiles.
**FOR USE WITH THE GLASS CERTIFIED WITH THE APPLIANCE ONLY / POUR UTILISATION UNIQUEMENT AVEC LES PORTES IN VERRE
CERTIFIÉES AVEC L'APPAREIL**

Pacific Energy
Fireplace Products Ltd.
Duncan, British Columbia,
Canada

MINIMUM CLEARANCES TO COMBUSTIBLES / CLAIRANCES MINIMALES AVEC LES COMBUSTIBLE
Left and Right side are determined when facing the front of the appliance. / Les côtés droit et gauche se déterminent en se mettant devant l'appareil et en lui faisant face.

Top, Back and Side Standoffs / Sommet, Arrière et Côté Butée	0 in./ 0 po.	(0 mm)
Sidewall to Appliance / Du mur latéral a l'appareil	0 in./ 0 po.	(0 mm)
Ceiling to Appliance / Plafond a l'appareil	0 in./ 0 po.	(0 mm)
Mantel to Appliance / Du manteau al'appareil	0 in./ 0 po.	(0 mm)
Maximum Mantel Extension / Allongement maximum du manteau *See Installation Manual for more detail / Voyez des Directive de l'Installation pour plus détails.	0 in./ 0 po.	(0 mm)
Mantel Supports / Supports du manteau	0 in./ 0 po.	(0 mm)
Vent Pipe / Déchargez le Tuyau	0 in./ 0 po.	(0 mm)

DATE OF MANUFACTURE

JAN	FEB	MAR	APR	2018
MAY	JUN	JUL	AUG	2019
SEP	OCT	NOV	DEC	2020

WARNING: Improper installation, adjustment, alteration, service or maintenance can cause injury or property damage. Refer to the owner's information manual provided with this appliance. For assistance or additional information, consult a qualified installer, service agency or the gas supplier.

AVERTISSEMENT: Une installation, un réglage, une modification, une réparation ou un entretien mal effectué peut causer des dommages matériels ou des blessures. Voir la notice de l'utilisateur qui accompagne l'appareil. Pour de l'aide ou des renseignements supplémentaires, consultez un installateur, un technicien agréé ou le fournisseur de gaz.

101218

568000069

7FT Architectural Series





TOWN & COUNTRY
FIREPLACES™

MODEL/
MODELE: ■

8FT ARCHITECTURAL
SERIES

SERIES/
SERIE: A

MADE IN CANADA
FABRIQUE AU CANADA

**VENTED GAS FIREPLACE - NOT FOR USE WITH SOLID FUEL
FOYER AU GAZ À ÉVACUATION - NE PAS UTILISER AVEC DU
COMBUSTIBLE SOLIDE**

728

P.4.1-15 Efficiency: 17.2%

**THIS IS A DECORATIVE PRODUCT AND IS NOT INTENDED
TO BE USED AS A HEATING APPLIANCE.**

ANSI Z21.50 / CSA 2.22 (2016) Vented Decorative Gas Appliance.
Certified for / Certifié pour Canada and U.S.A.

This Appliance is Equipped For Use With /
Cet Appareil est Équipé Pour Utiliser Avec :

NATURAL GAS / L.P. GAS /
DU GAZ NATUREL ■ DU GAZ L.P.

FOR USE WITH/ EN CASE D'EMPLOI AVEC:	NATURAL GAS/ DU GAZ NATUREL	L.P GAS/ DU GAZ L.P.
Minimum supply pressure / Pression minimum d'alimentation: (For the purpose of input adjustment / dans le but de régler l'alimentation)	5.0 in/wc / 5.0 po/c.e. (1.24 kPa)	12.5 in/wc / 12.5 po/c.e. (3.11 kPa)
Maximum supply pressure / Pression maximum d'alimentation:	7.0 in/wc / 7.0 po/c.e. (1.74 kPa)	13.9 in/wc / 13.9 po/c.e. (3.45 kPa)
Manifold pressure / Pression de la tuyauterie: Maximum	3.50 in/wc / 3.50 po/c.e. (0.87 kPa)	11.0 in/wc / 13.9 po/c.e. (2.73 kPa)
Orifice Size / Diametre de l'injecteur:	NB X4	LB X4
Input BTU/hr (kW) / Entree BTU/h (kW):	Max.: 128,000 (37.51)	Max.: 128,000 (37.51)

Blower electrical rating: 115v, 60hz, 5.9 A / Normes electriques du ventilateur: 115v, 60hz, 5.9 A
This appliance equipped for altitudes 0 - 4500 ft. (0 - 1371.6 m) / Cet unité est conçu pour des altitudes variant entre 0 - 4500 pieds (0 - 1371.6 m). In Canada, also certified for installation in a bedroom or a bedsitting room / Aussi certifié pour installation dans une chambre à coucher ou une salle de séjour. This appliance must be installed in accordance with local codes, if any; if none, follow the current CAN/CGA-B149 (Canada), or ANSI Z223.1 (USA) Installation Codes. Installer l'appareil selon les codes ou règlements locaux, ou, en l'absence de tels règlements, selon les codes d'installation CAN/CGA-B149 (Canada), or ANSI Z223.1 (USA) en vigueur.

MANUFACTURED (MOBILE) HOME: This appliance is only for use with the type of gas indicated on the rating plate and may be installed in an aftermarket, permanently located, manufactured (mobile) home where not prohibited by local codes. See owners manual for details.
FABRIQUEZ (MOBILE) MAISON: Cet appareil doit être utilisé uniquement avec le type de gaz indiqué sur la plaque signalétique et peut être installé dans une maison préfabriquée (mobile) installée à demeure si les règlements locaux le permettent. Voir la notice du propriétaire pour plus de détails. Cet appareil ne peut être converti à d'autres gaz sauf si une trousse de conversion certifiée est utilisée.
Install in accordance with the current standard Mobile Homes, CAN/CSA Z240 MH (in CANADA), and the Manufacturer's Home Construction and Safety Standard, Title 24 CFR, Part 3280, or the current Standard for Fire Safety Criteria for Manufactured Home Installations, Sites, and Communities ANSI/NFPA 501A, (in the U.S.A.). Cet appareil doit être installé conformément aux exigences de la norme CAN/CSA Z240 MH en vigueur de l'ACNOR, Installations de gaz dans les Constructions Mobiles.
FOR USE WITH THE GLASS CERTIFIED WITH THE APPLIANCE ONLY / POUR UTILISATION UNIQUEMENT AVEC LES PORTES IN VERRE
CERTIFIÉES AVEC L'APPAREIL

Pacific Energy
Fireplace Products Ltd.
Duncan, British Columbia,
Canada

MINIMUM CLEARANCES TO COMBUSTIBLES / CLAIRANCES MINIMALES AVEC LES COMBUSTIBLE	
Left and Right side are determined when facing the front of the appliance. / Les côtés droit et gauche se déterminent en se mettant devant l'appareil et en lui faisant face.	
Top, Back and Side Standoffs / Sommet, Arrière et Côté Butée	0 in. / 0 po. (0 mm)
Sidewall to Appliance / Du mur latéral a l'appareil	0 in. / 0 po. (0 mm)
Ceiling to Appliance / Plafond a l'appareil	0 in. / 0 po. (0 mm)
Mantel to Appliance / Du manteau al'appareil	0 in. / 0 po. (0 mm)
Maximum Mantel Extension / Allongement maximum du manteau	0 in. / 0 po. (0 mm)
*See Installation Manual for more detail / Voyez des Directive de l'Installation pour plus détails.	
Mantel Supports / Supports du manteau	0 in. / 0 po. (0 mm)
Vent Pipe / Déchargez le Tuyau	0 in. / 0 po. (0 mm)

DATE OF MANUFACTURE				
JAN	FEB	MAR	APR	2018
MAY	JUN	JUL	AUG	2019
SEP	OCT	NOV	DEC	2020

WARNING: Improper installation, adjustment, alteration, service or maintenance can cause injury or property damage. Refer to the owner's information manual provided with this appliance. For assistance or additional information, consult a qualified installer, service agency or the gas supplier.
AVERTISSEMENT: Une installation, un réglage, une modification, une réparation ou un entretien mal effectué peut causer des dommages matériels ou des blessures. Voir la notice de l'utilisateur qui accompagne l'appareil. Pour de l'aide ou des renseignements supplémentaires, consultez un installateur, un technicien agréé ou le fournisseur de gaz.

101218

568000070

8FT Architectural Series





© 2019 Copyright Pacific Energy Fireplace Products LTD

Reproduction, adaptation, or translation
without prior written permission is prohibited,
except as allowed under the copyright laws.



TOWN & COUNTRY
L U X U R Y F I R E P L A C E S

For technical support, contact your retailer.

**Web site: www.townandcountryfireplaces.com
2975 Allenby Rd., Duncan, BC V9L 6V8**